

[54] **VEHICLE TIRE**

[75] Inventors: **Silvana Hinrichsen; Alessandro Ceccarelli**, both of Rome, Italy

[73] Assignee: **Bridgestone/Firestone, Inc.**, Akron, Ohio

[**] Term: **14 Years**

[21] Appl. No.: **135,191**

[22] Filed: **Dec. 18, 1987**

[30] **Foreign Application Priority Data**

Jul. 16, 1987 [IT] Italy 53528/87[U]

[52] U.S. Cl. **D12/146**

[58] Field of Search D12/141-143,
D12/145-151; 152/209 R, 209 B, 209 D

[56] **References Cited**

U.S. PATENT DOCUMENTS

D. 194,733	2/1963	Hawkinson	D90/20
D. 244,181	5/1977	Maeda et al.	D12/142
D. 253,645	11/1979	Peron	D12/147
D. 261,385	10/1981	Peron	D12/147
D. 269,336	6/1983	Yurkovich	D12/146

OTHER PUBLICATIONS

1987 Tread Design Guide, ©1/87, p. 122, Firestone All Terrain Tire, third row down from top, second tire in from left side of page.

1987 Tread Design Guide, ©1/87, p. 251, Bandag Passenger Mud & Snow Tire, second tire tread in from top right side of page.

1986 Tread Design Guide, Michelin XH, p. 50, top row, second from left.

1986 Tread Design Guide, Bridgestone V-Steel Mix 757, p. 160, bottom row, far right; and Bridgestone V-Steel Mix 747, p. 161, top row, second from left.

Primary Examiner—James M. Gandy

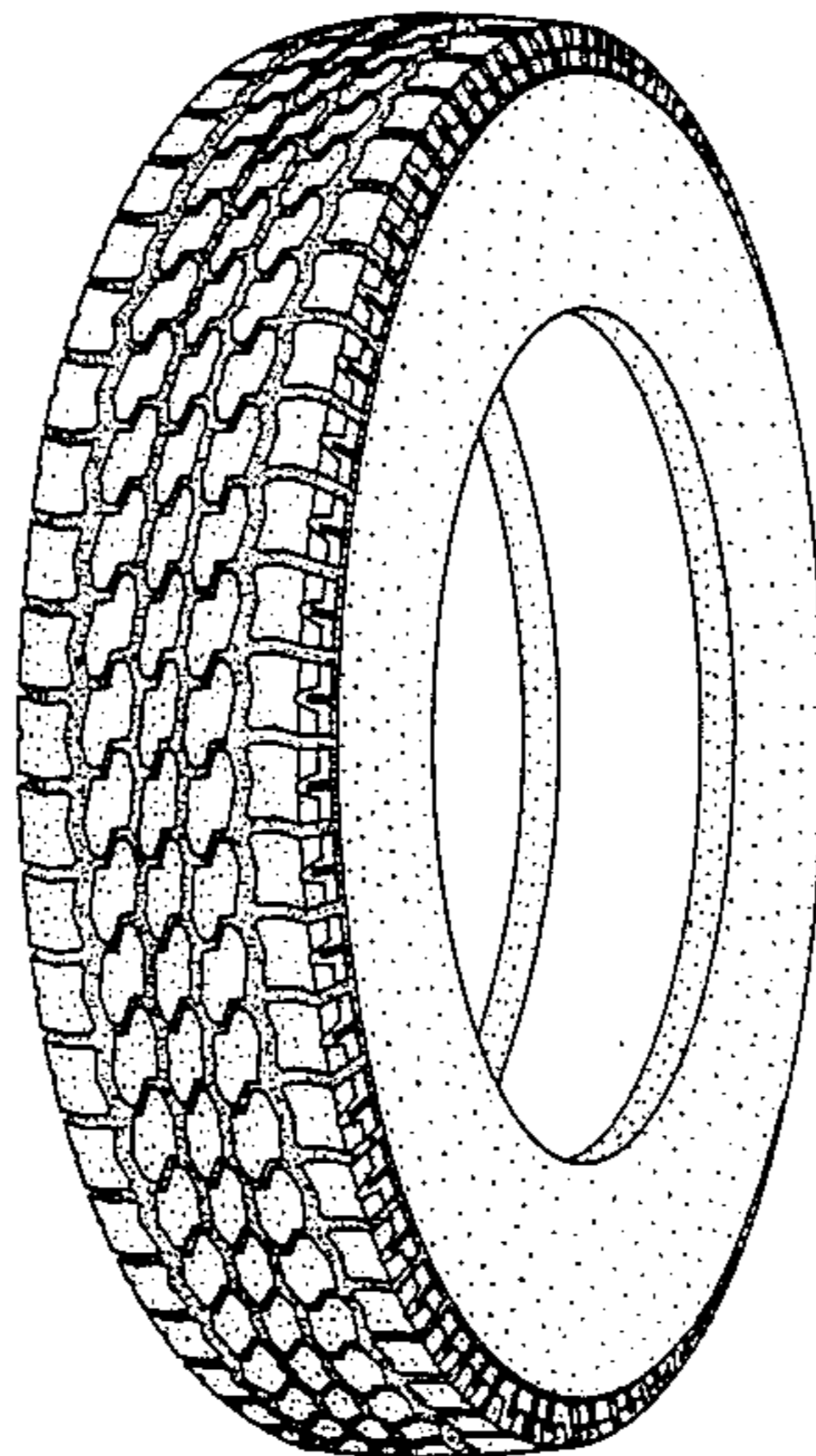
Attorney, Agent, or Firm—Ernst H. Ruf

[57] **CLAIM**

The ornamental design for a vehicle tire, as shown and described.

DESCRIPTION

FIG. 1 is a perspective view of a tire embodying our new design, it being understood that the tread pattern is repeated throughout the circumference of the tire, the opposite side being substantially the same as that shown. FIG. 2 is a front elevational view thereof. FIG. 3 is a side elevational view thereof.



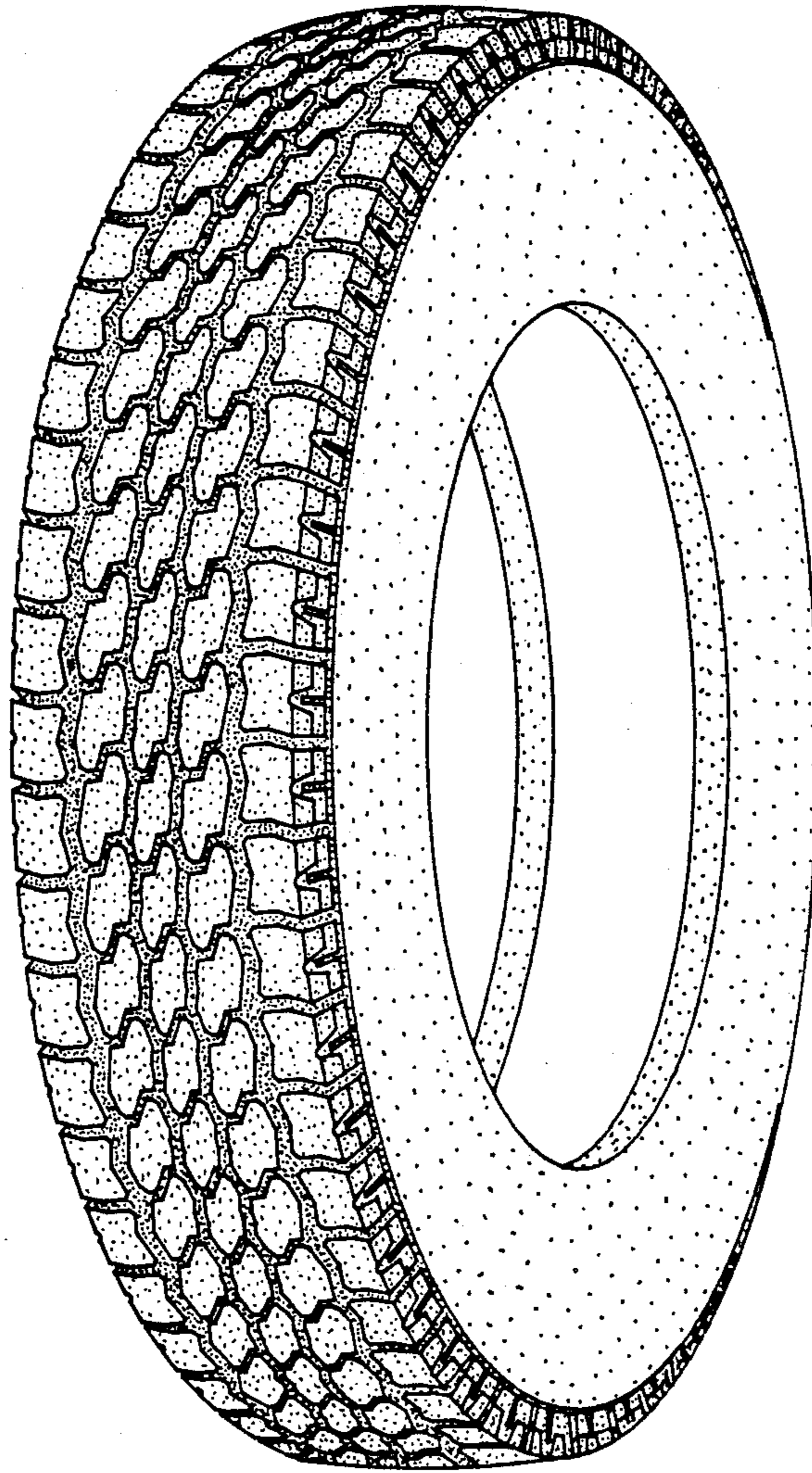


FIG. 1

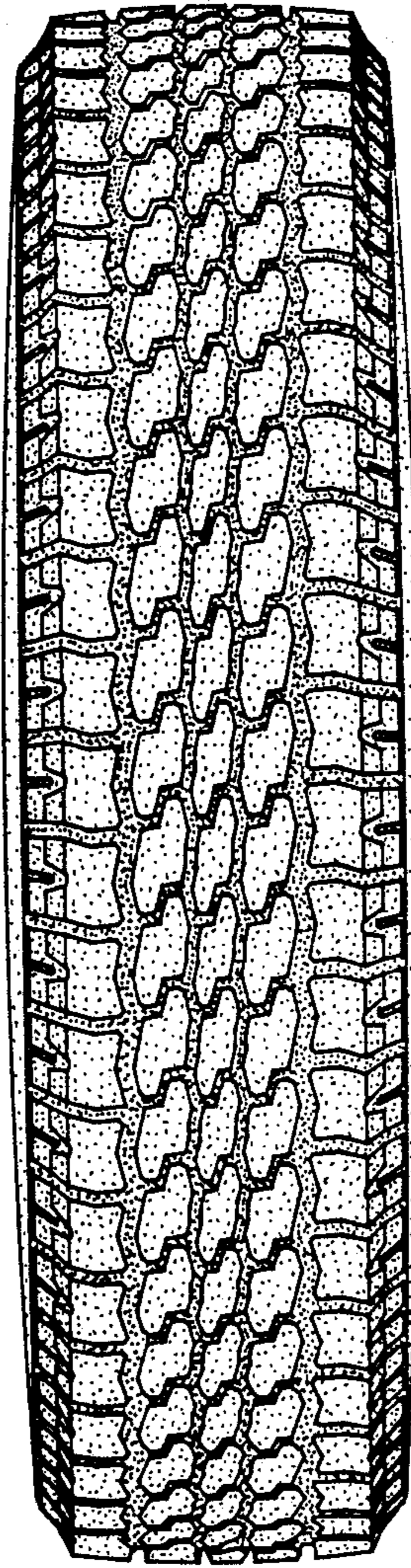


FIG. 2

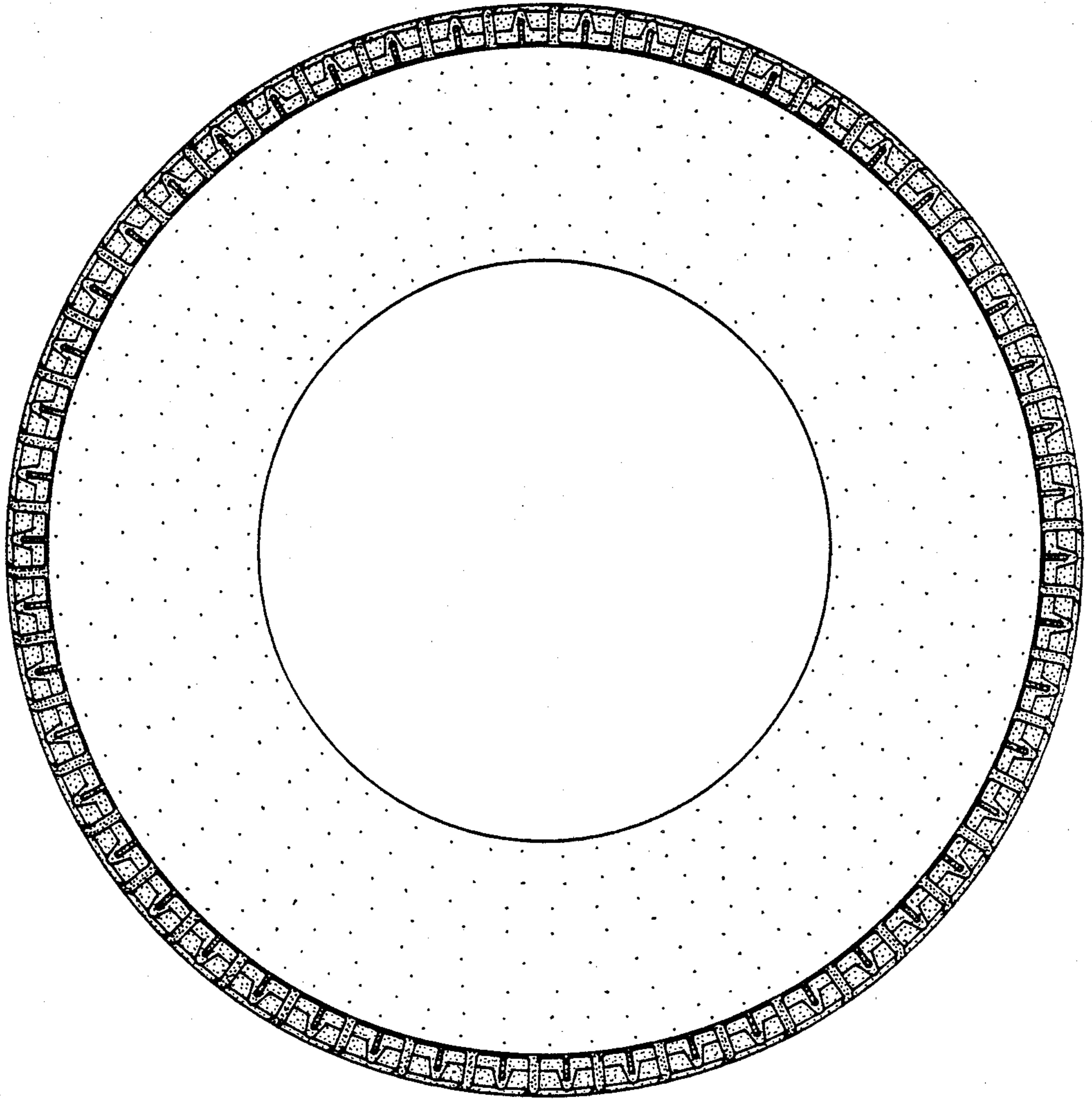


FIG. 3