

[54] **FEED DIAL TRAVELING INDICATOR**

[76] **Inventor: Edward T. Haas, Jr., 6882 Trigo Rd., Goleta, Calif. 93117**

[\*\*] **Term: 14 Years**

[21] **Appl. No.: 71,053**

[22] **Filed: Jul. 8, 1987**

[52] **U.S. Cl. .... D10/46**

[58] **Field of Search ..... D10/46; D8/373; D15/138; 83/522.14, 522.18**

[56] **References Cited**

**U.S. PATENT DOCUMENTS**

D. 188,824	9/1960	Bush	.....	D8/373
D. 243,664	3/1977	Lyon	.....	D15/138
D. 273,497	4/1984	Steineman	.....	D15/138
2,815,561	12/1957	Crane	.....	83/522.19 X

3,945,282 3/1976 Aizawa ..... 83/522.18 X

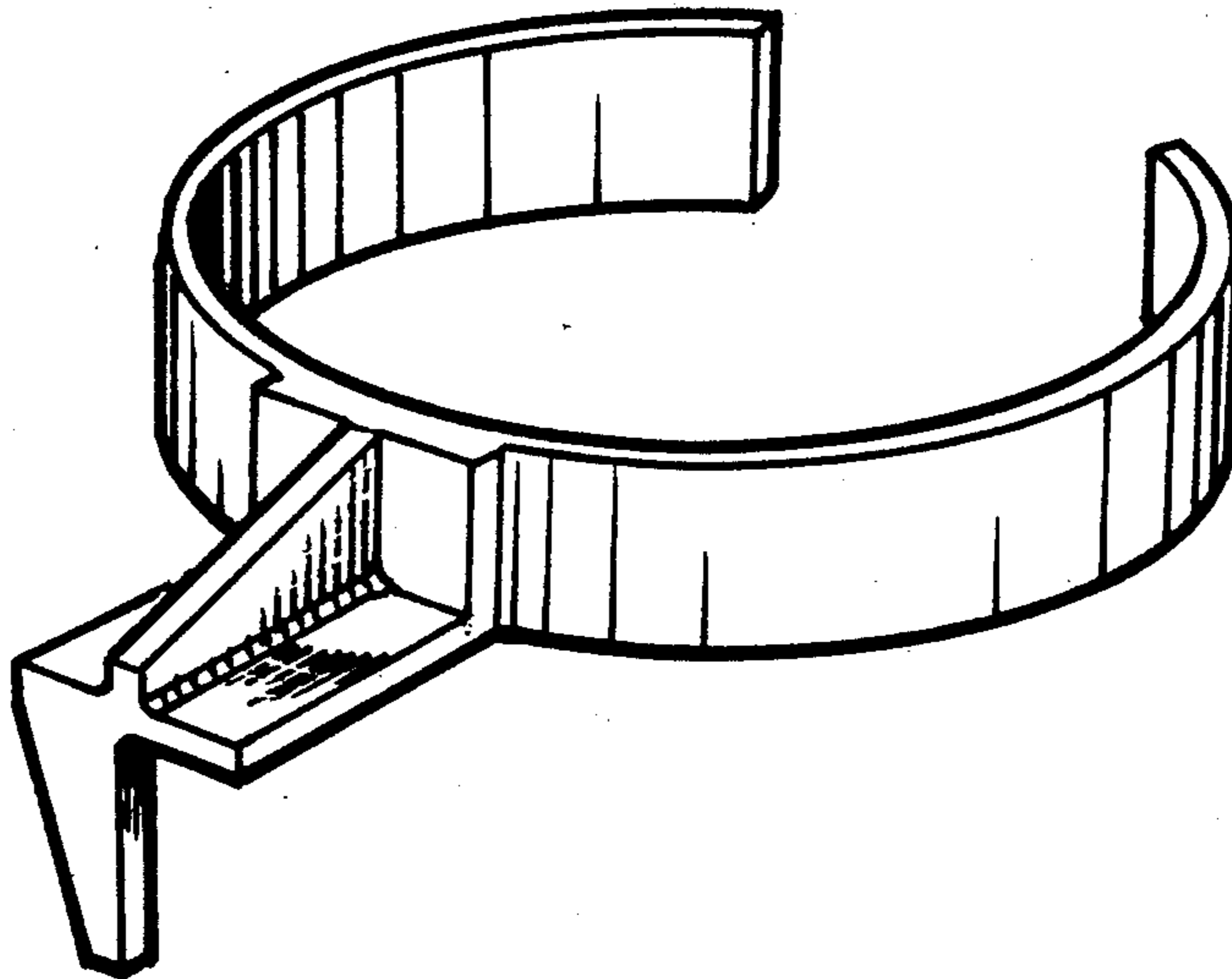
*Primary Examiner*—Nelson C. Holtje  
*Assistant Examiner*—Antoine D. Davis  
*Attorney, Agent, or Firm*—Harry W. Brelsford

[57] **CLAIM**

The ornamental design for a feed dial traveling indicator, as shown.

**DESCRIPTION**

FIG. 1 is a top, plan view of a feed dial traveling indicator showing my new design;  
FIG. 2 is a left side elevational view;  
FIG. 3 is a right side elevational view;  
FIG. 4 is a front elevational view;  
FIG. 5 is a rear elevational view;  
FIG. 6 is a bottom plan view; and  
FIG. 7 is a top, front and right side perspective view thereof.



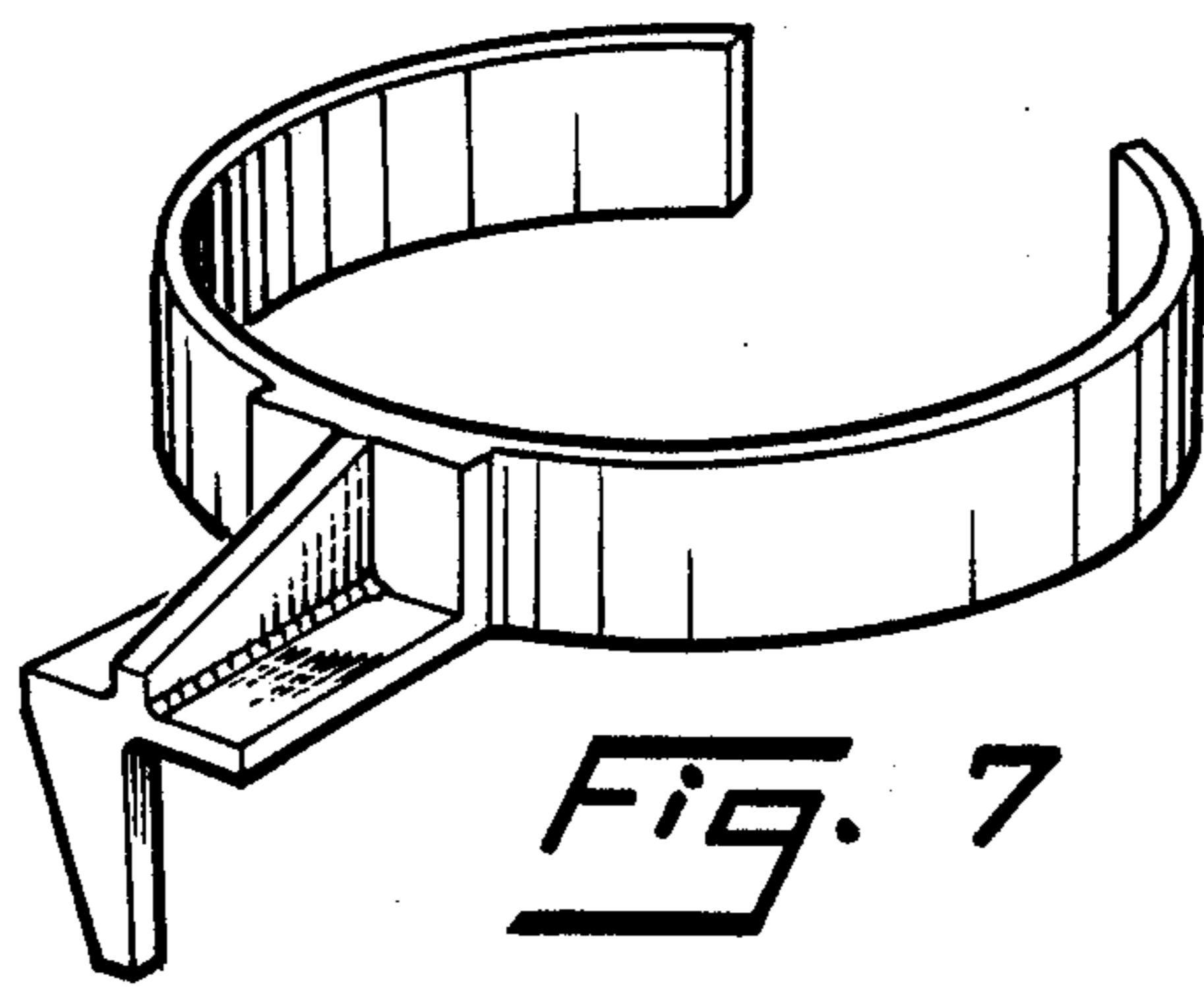


Fig. 7

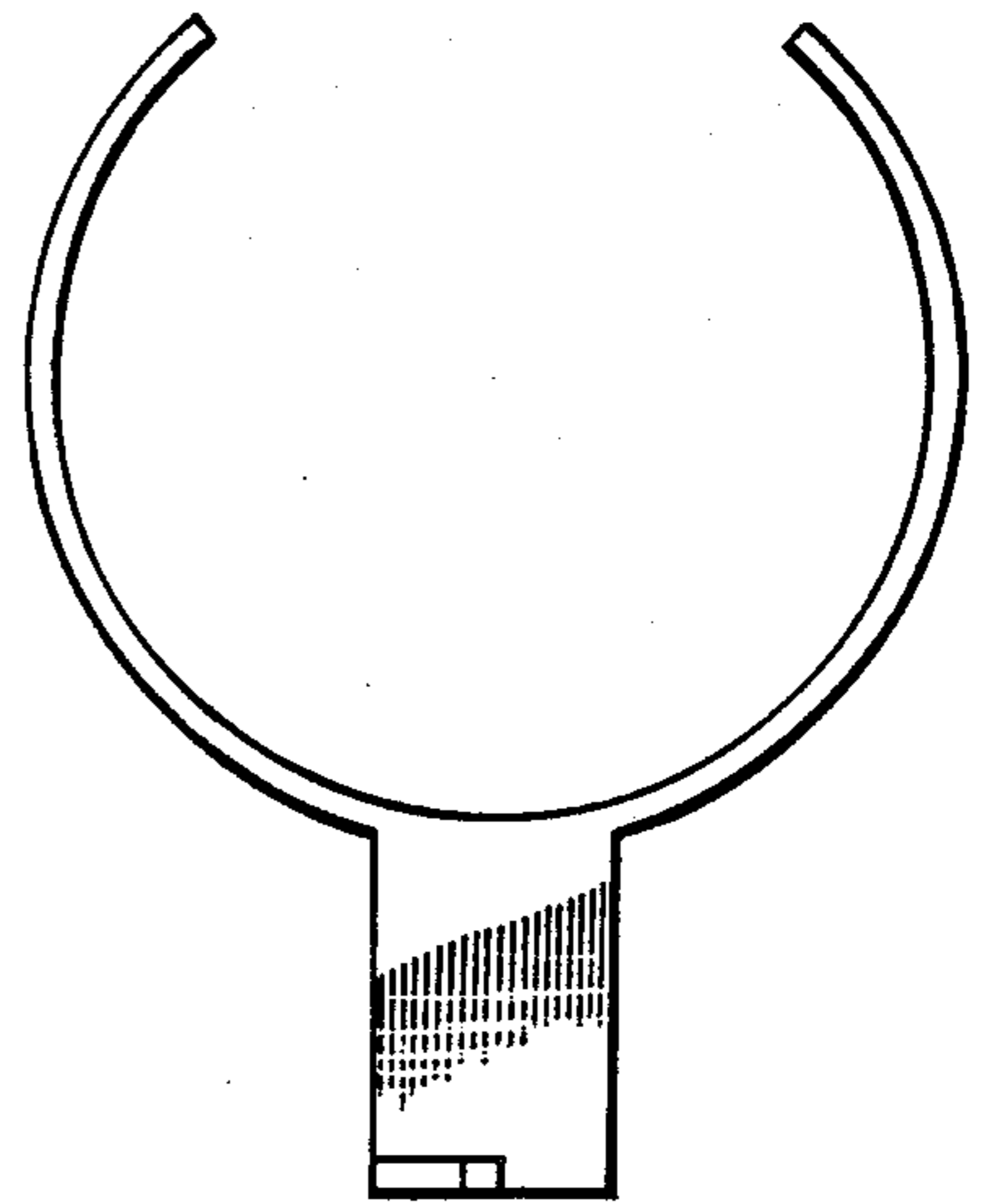


Fig. 6

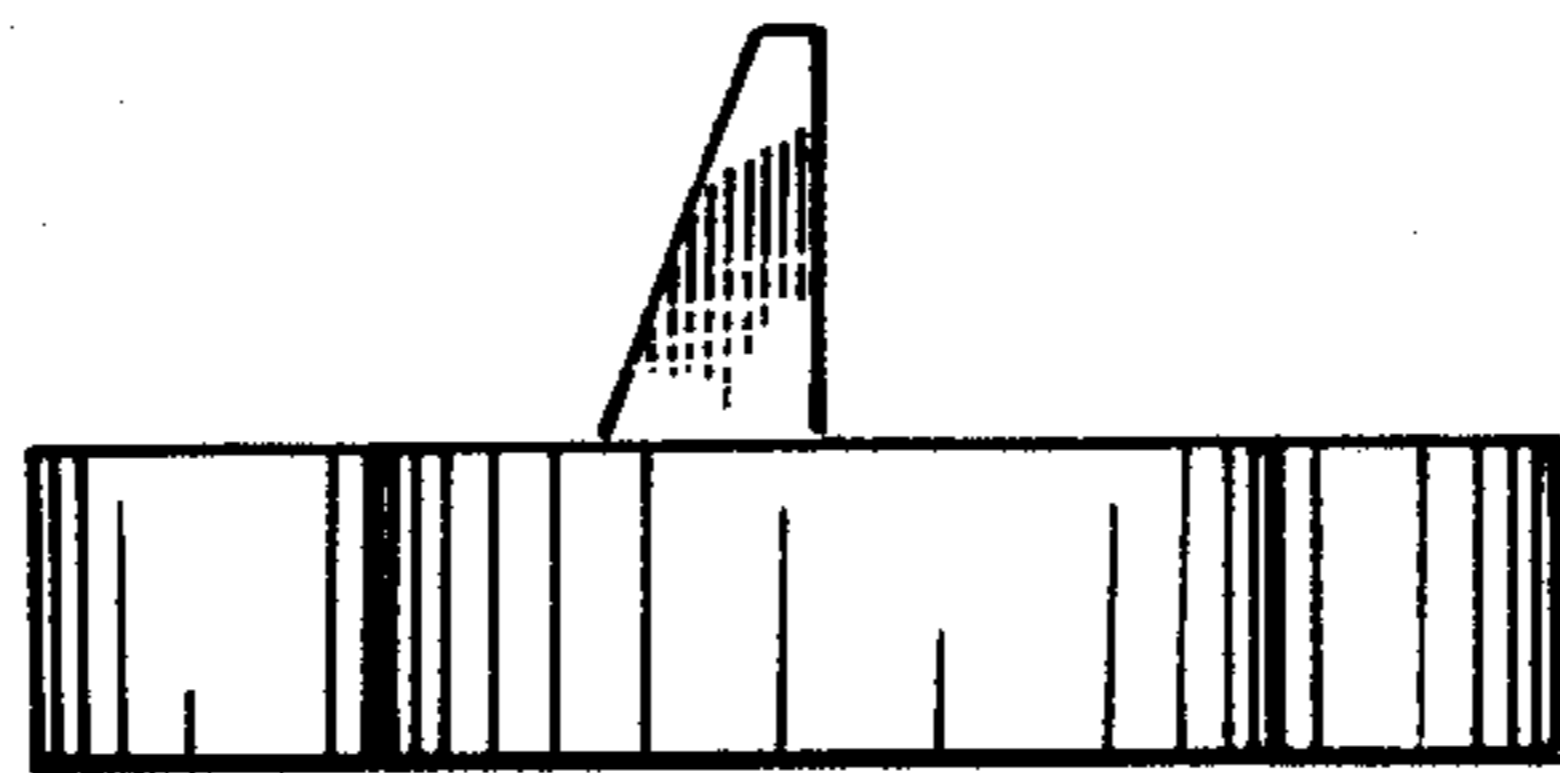


Fig. 5

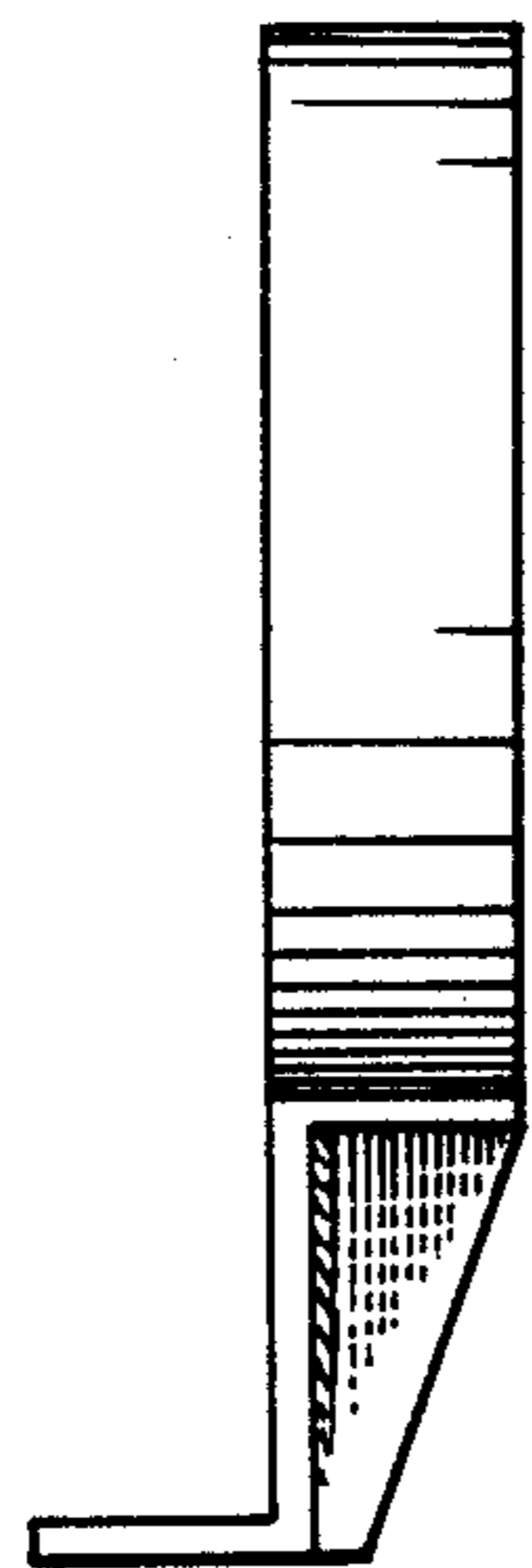


Fig. 2

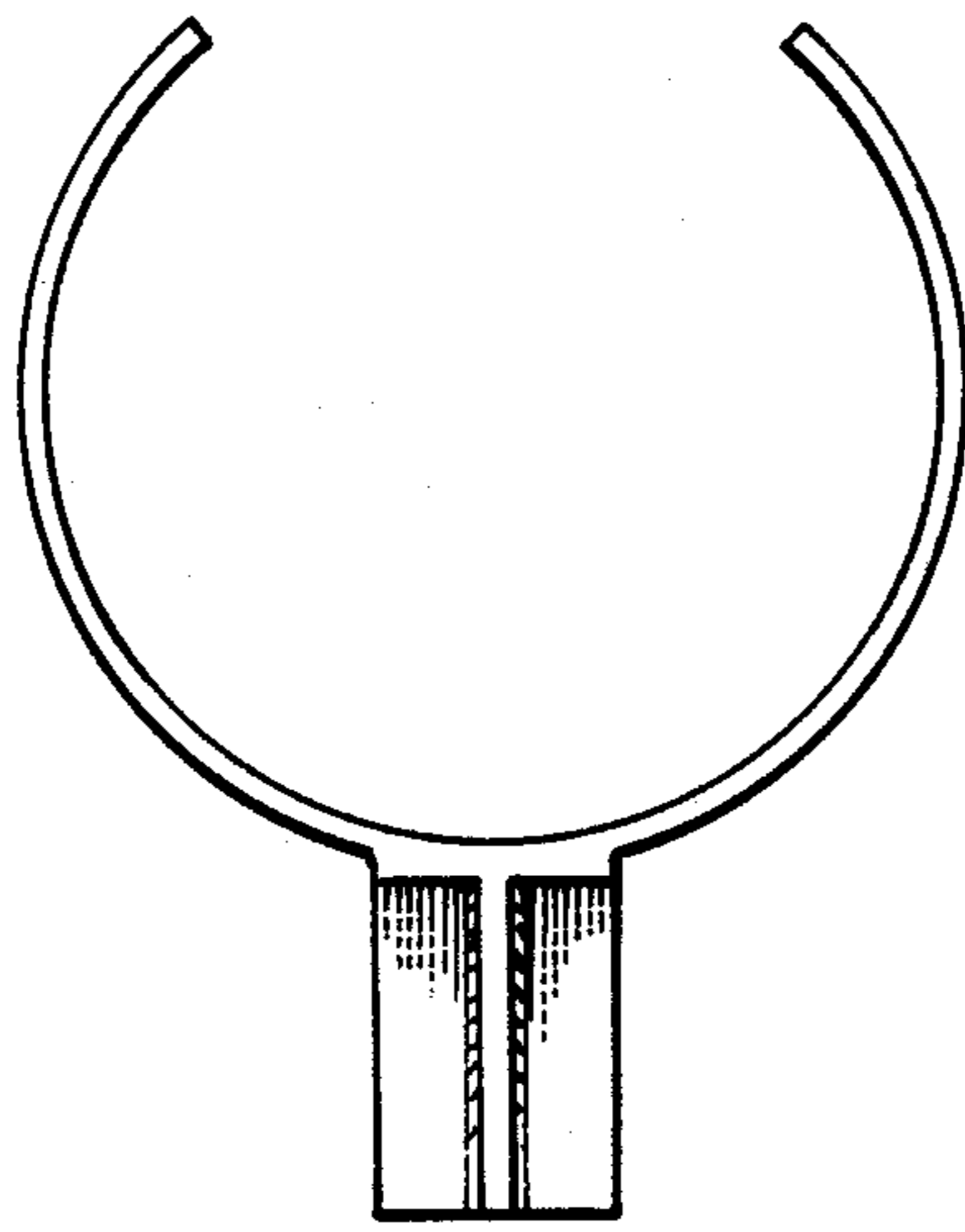


Fig. 1

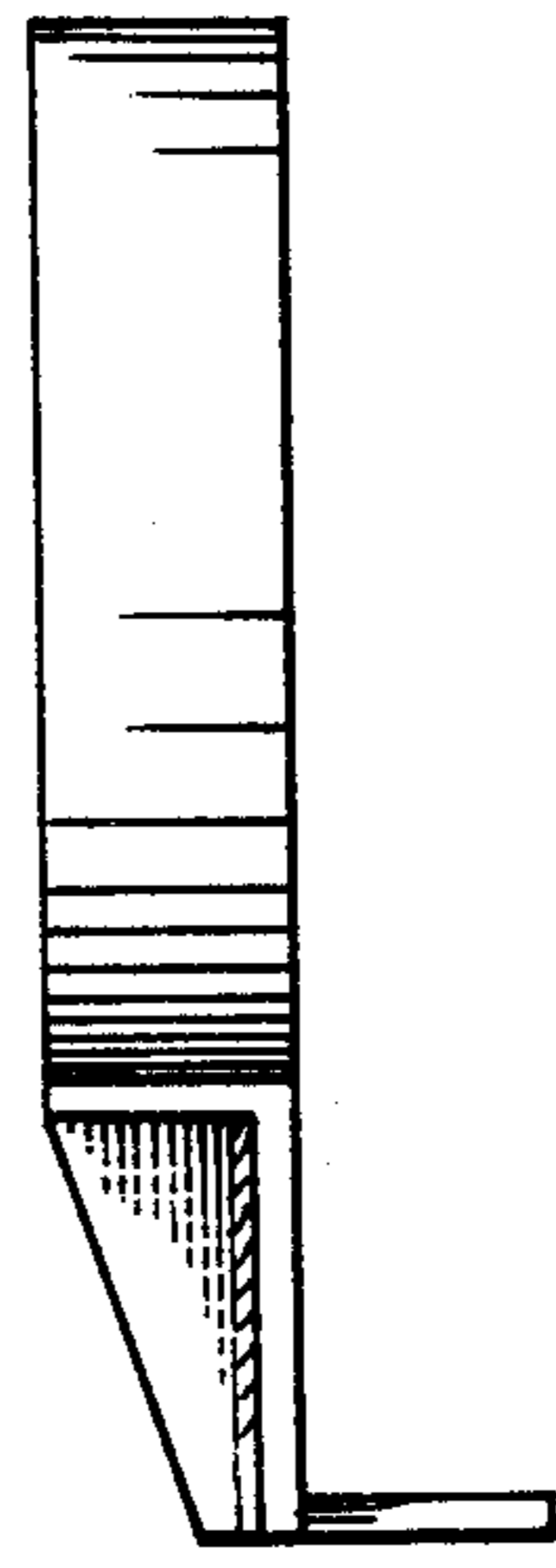


Fig. 3

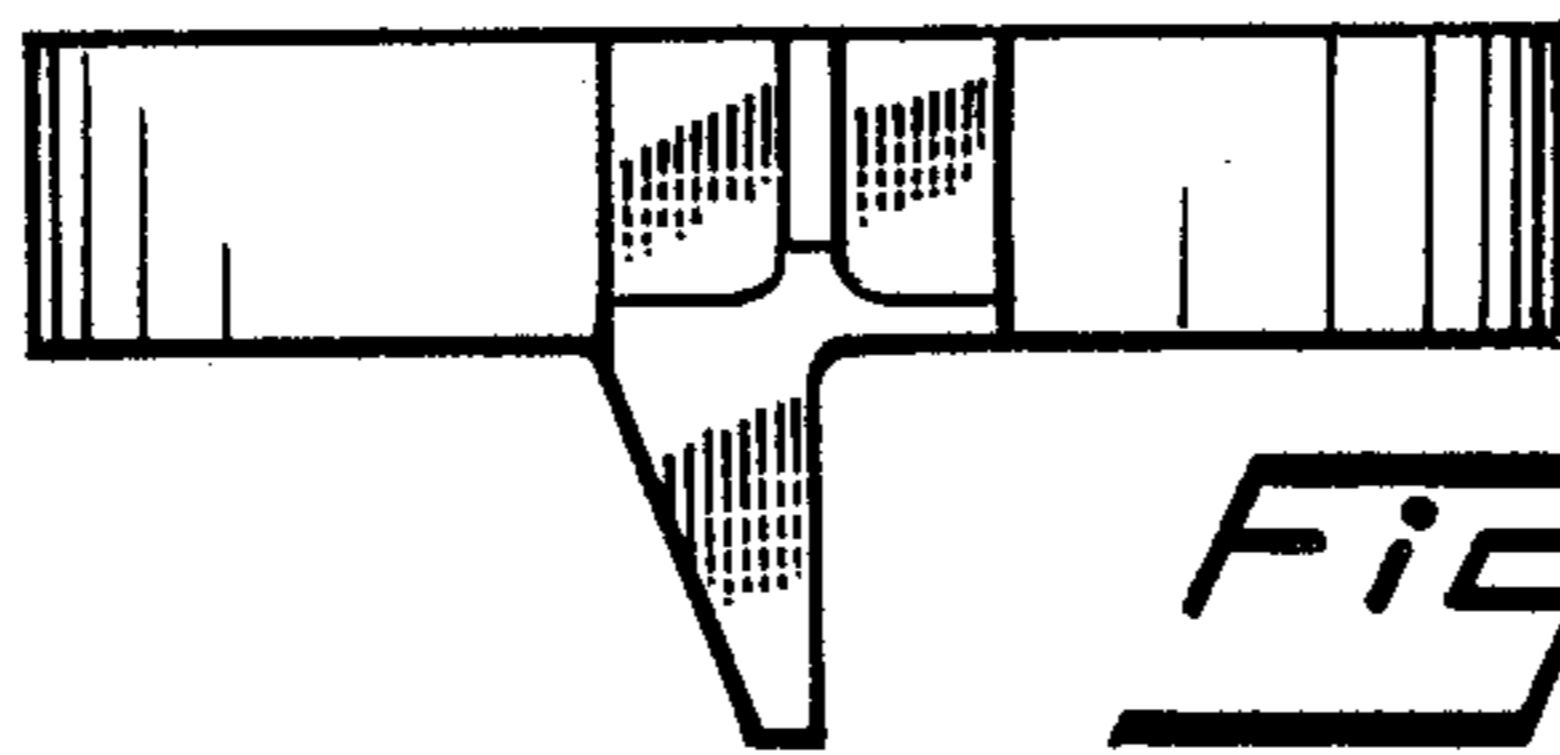


Fig. 4