

United States Patent [19]

Auman

[11] Patent Number: **Des. 308,169**

[45] Date of Patent: **** May 29, 1990**

[54] CAN CAP

[76] Inventor: **Debora S. Auman, #1 Sargeant St., Hampton, Va. 23663**

[**] Term: **14 Years**

[21] Appl. No.: **898,089**

[22] Filed: **Aug. 20, 1986**

[52] U.S. Cl. **D9/446**

[58] Field of Search **D9/438, 446, 447, 449, D9/450, 448, 436, 435, 440, 443, 439; 215/213, 216, 224, 306**

3,297,192 4/1965 Swett D9/446
3,434,620 3/1969 Laurizio .
3,951,331 4/1976 Smith .
4,083,471 4/1978 Frank .
4,328,905 5/1982 Hardt .

Primary Examiner—Bernard Ansher
Assistant Examiner—David Jeo
Attorney, Agent, or Firm—Terry M. Gernstein

[57] **CLAIM**

The ornamental design for the can cap, as shown and described.

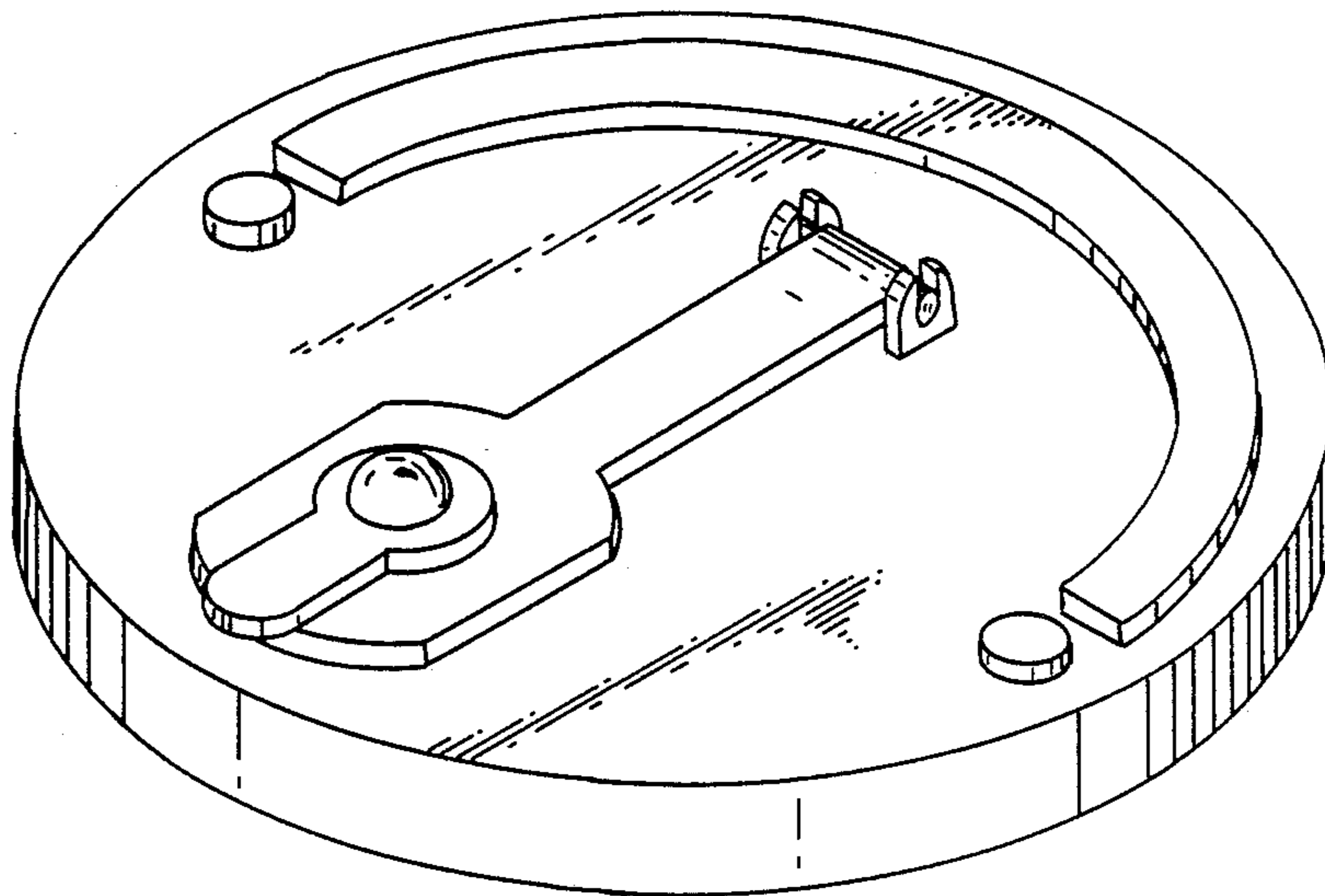
[56] **References Cited**

U.S. PATENT DOCUMENTS

D. 278,888 5/1985 Plumb D9/449
D. 288,667 3/1987 Miner D9/450
2,731,999 1/1956 Burns .
2,942,752 6/1960 Brunel .
3,103,224 9/1963 Dearling .
3,204,805 9/1965 May .

DESCRIPTION

FIG. 1 is a top front isometric view of a can cap showing my new design;
FIG. 2 is a rear elevation thereof;
FIG. 3 is a side elevation thereof;
FIG. 4 is a bottom plan view thereof; and
FIG. 5 is a cross section taken along the line 5—5 of FIG. 1.



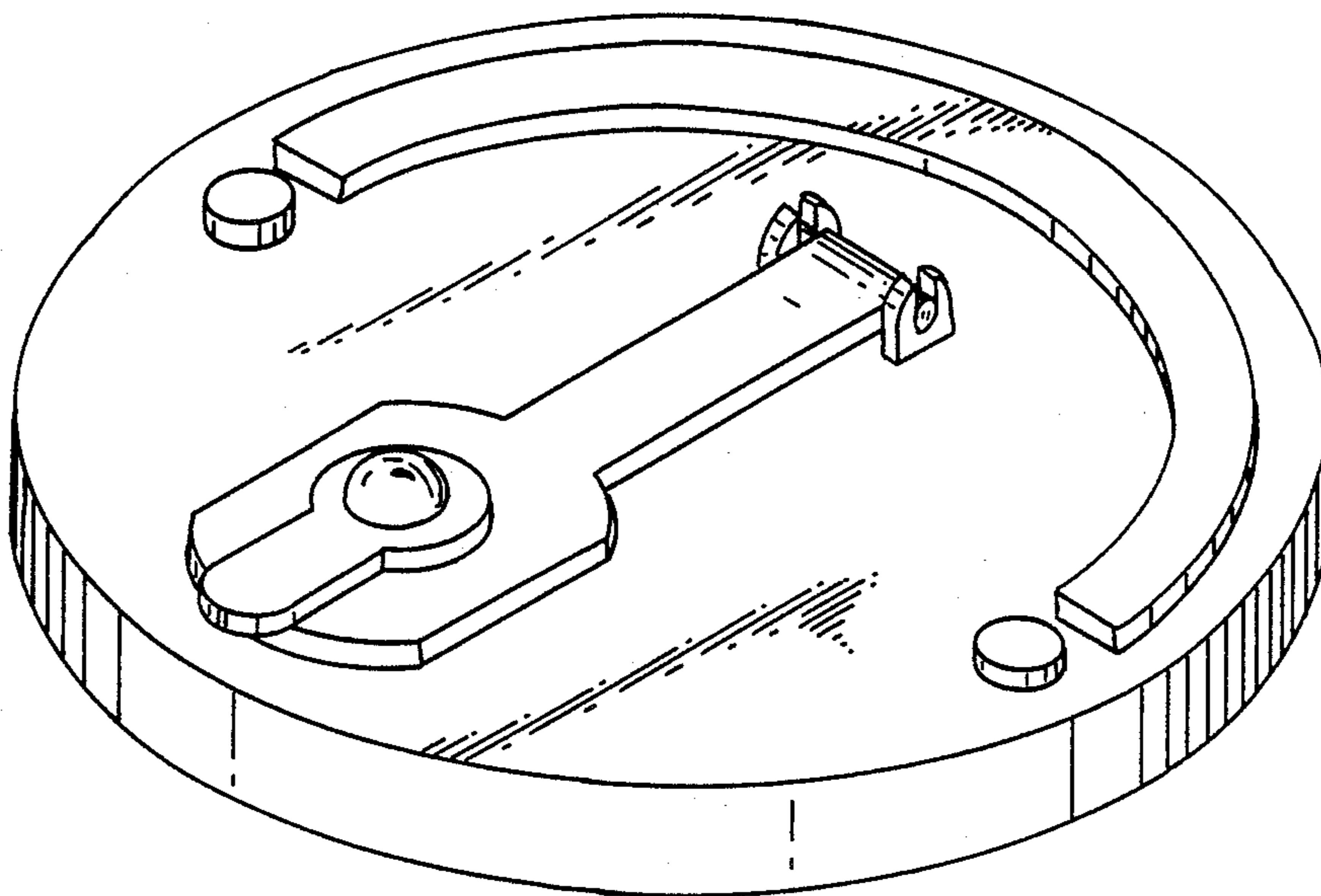


Fig. 1

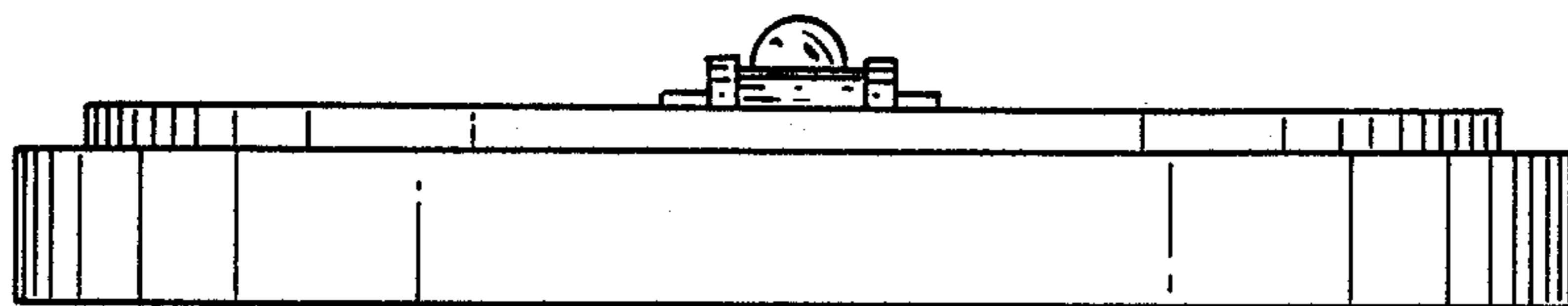


Fig. 2

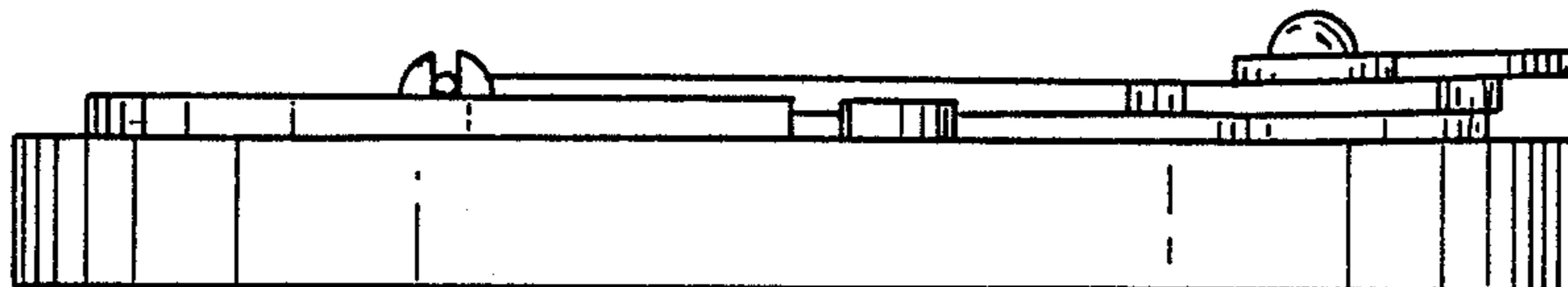


Fig. 3

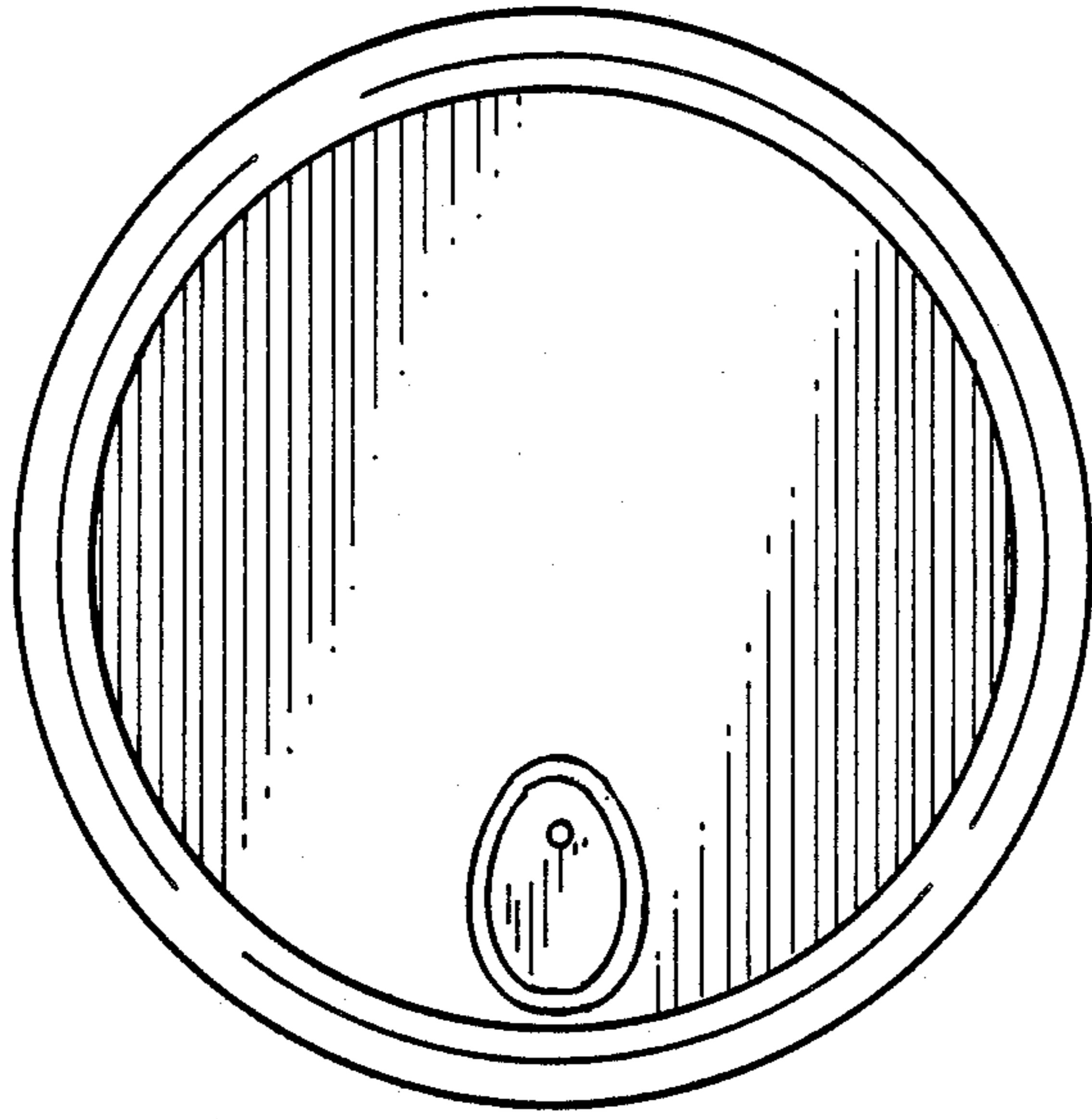


Fig. 4

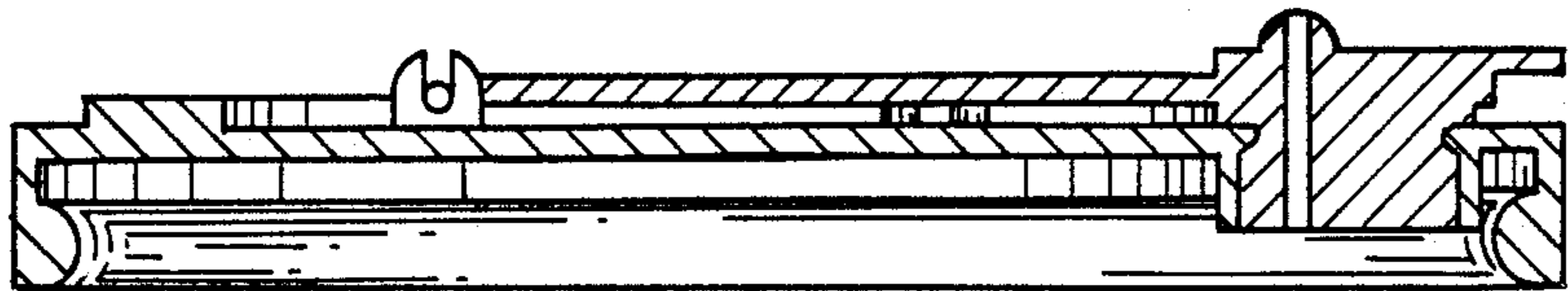


Fig. 5