

[54] **BOTTLE**
[75] **Inventor: Gary D. Holmes, Independence, Mo.**
[73] **Assignee: Travomatic Corporation, Kansas City, Mo.**
[**] **Term: 14 Years**
[21] **Appl. No.: 135,284**
[22] **Filed: Dec. 21, 1987**
[52] **U.S. Cl. D9/390; D9/403**
[58] **Field of Search D9/390-399, D9/403-413, 349, 350, 351, 355, 367; 215/1 R, 1 C, 10; 206/509, 504, 503**

D. 292,173 10/1987 Julian et al. D9/403 X
D. 297,814 9/1988 Gatten D9/399 X
4,671,412 6/1987 Gatten 206/509 X

Primary Examiner—Melvin B. Feifer
Assistant Examiner—Lucy Lieberman
Attorney, Agent, or Firm—Kokjer, Kircher, Bradley, Wharton, Bowman & Johnson

[57] **CLAIM**

The ornamental design for a bottle, as shown and described.

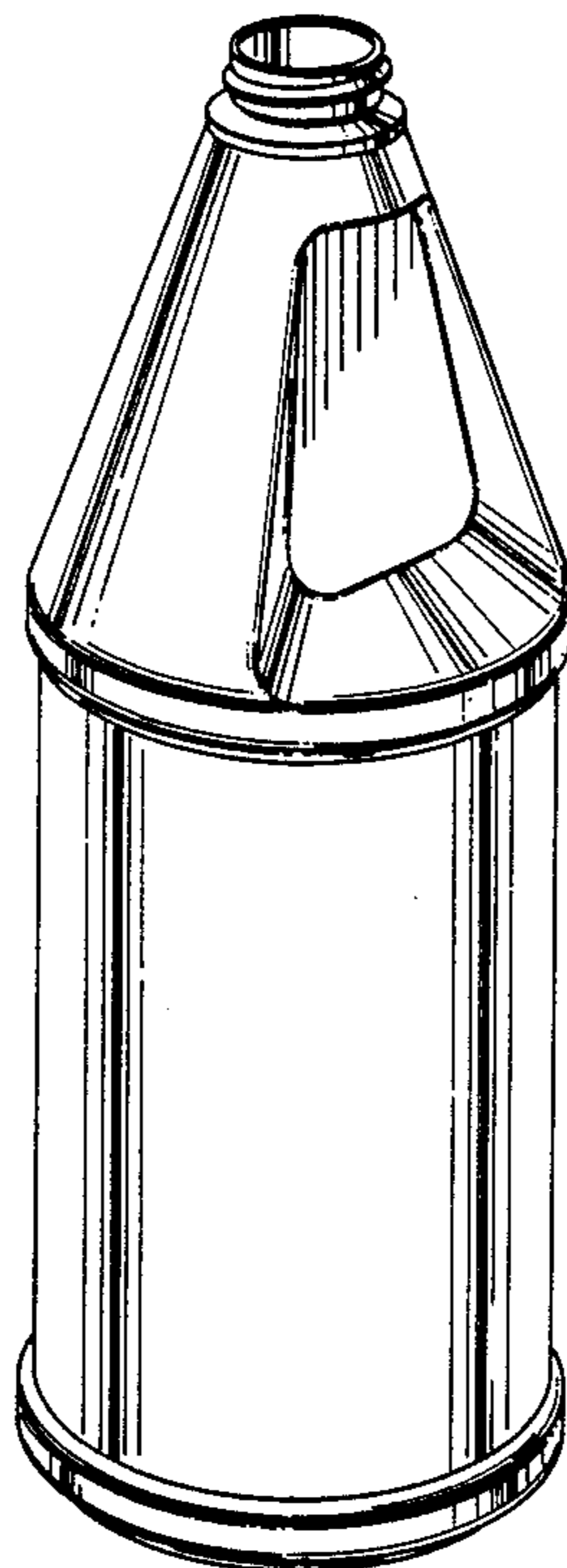
DESCRIPTION

FIG. 1 is a perspective view of a bottle showing my new design;
FIG. 2 is a front elevation thereof, the rear elevation being substantially identical thereto;
FIG. 3 is a side elevation thereof, the opposite side being substantially identical thereof;
FIG. 4 is a top plan view thereof; and

[56] **References Cited**

U.S. PATENT DOCUMENTS

D. 237,463 11/1975 Kretz D9/404
D. 270,520 9/1983 Strand D9/349



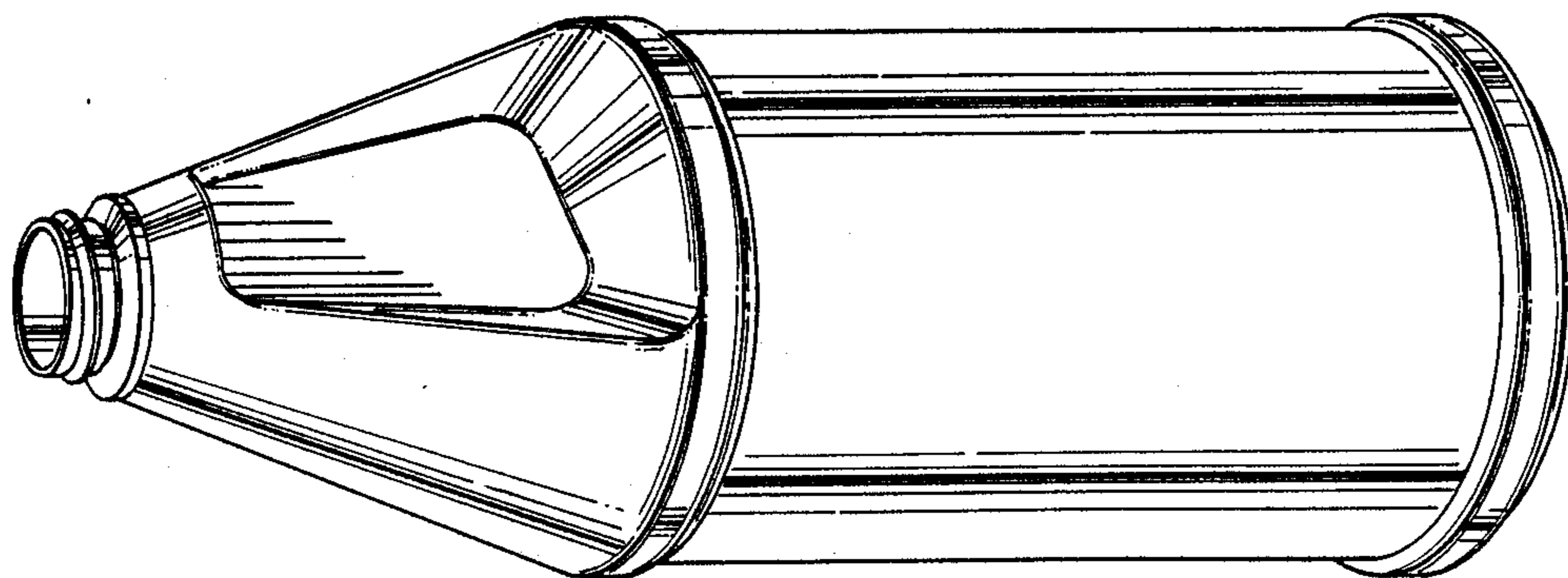


Fig. 1.

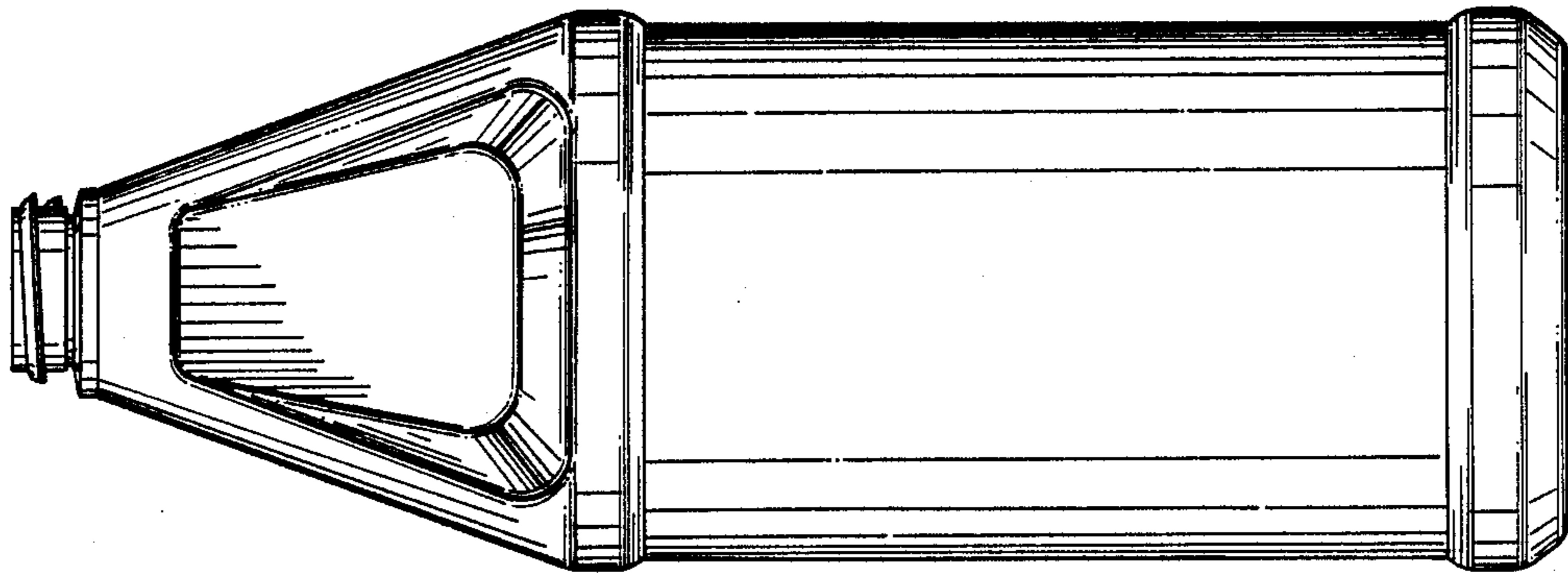


Fig. 2.

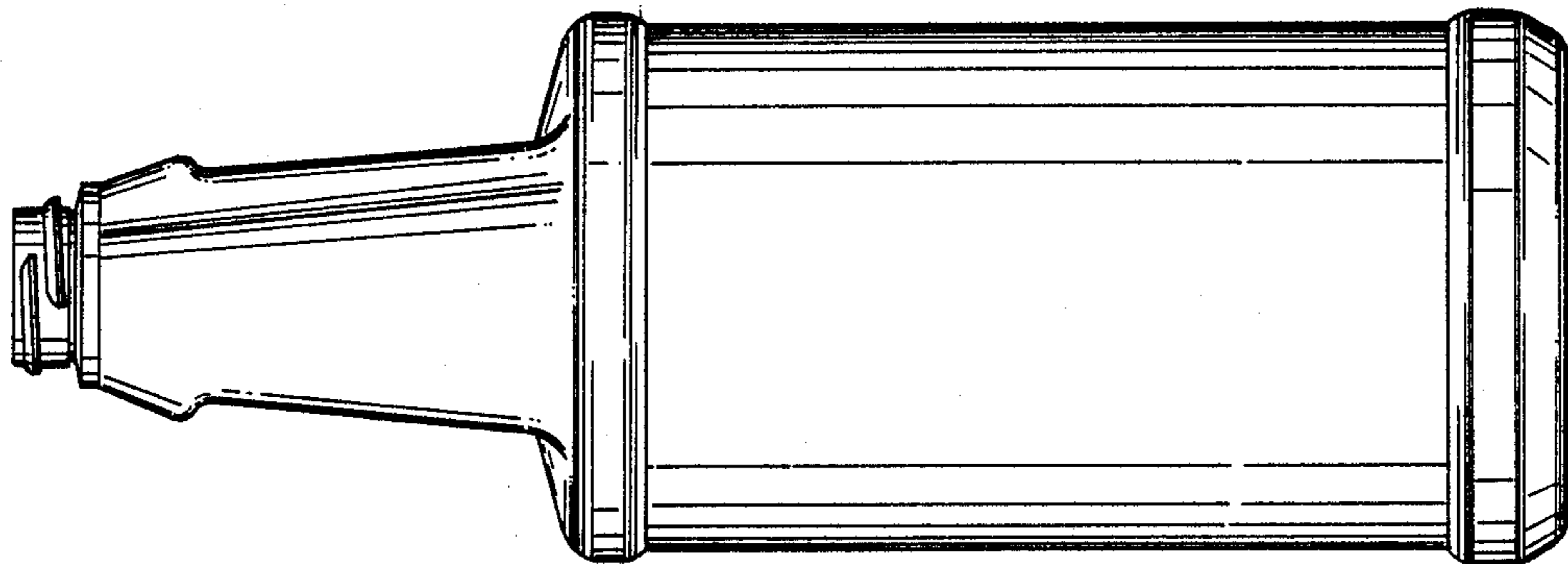


Fig. 3.

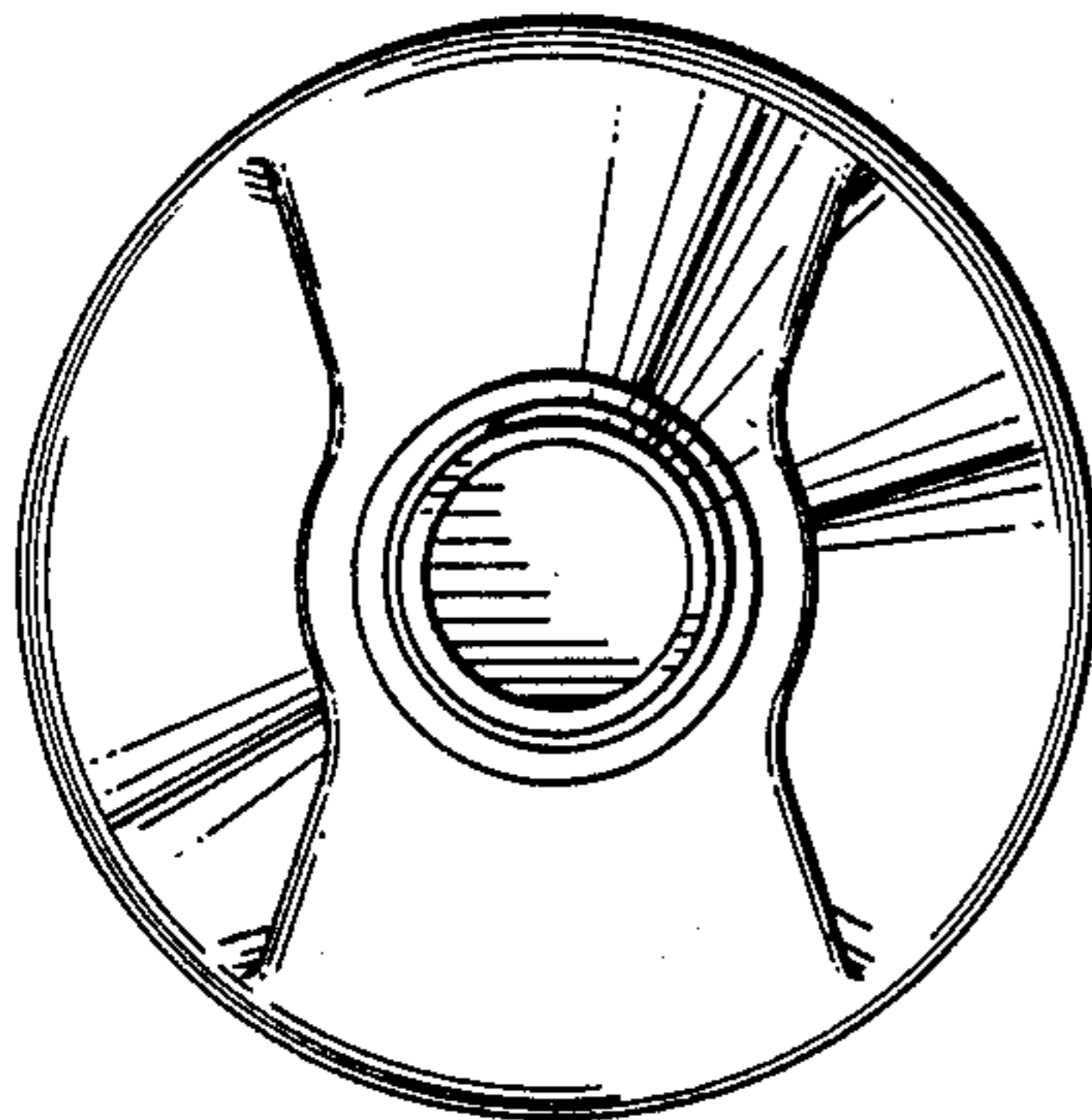


Fig. 4.

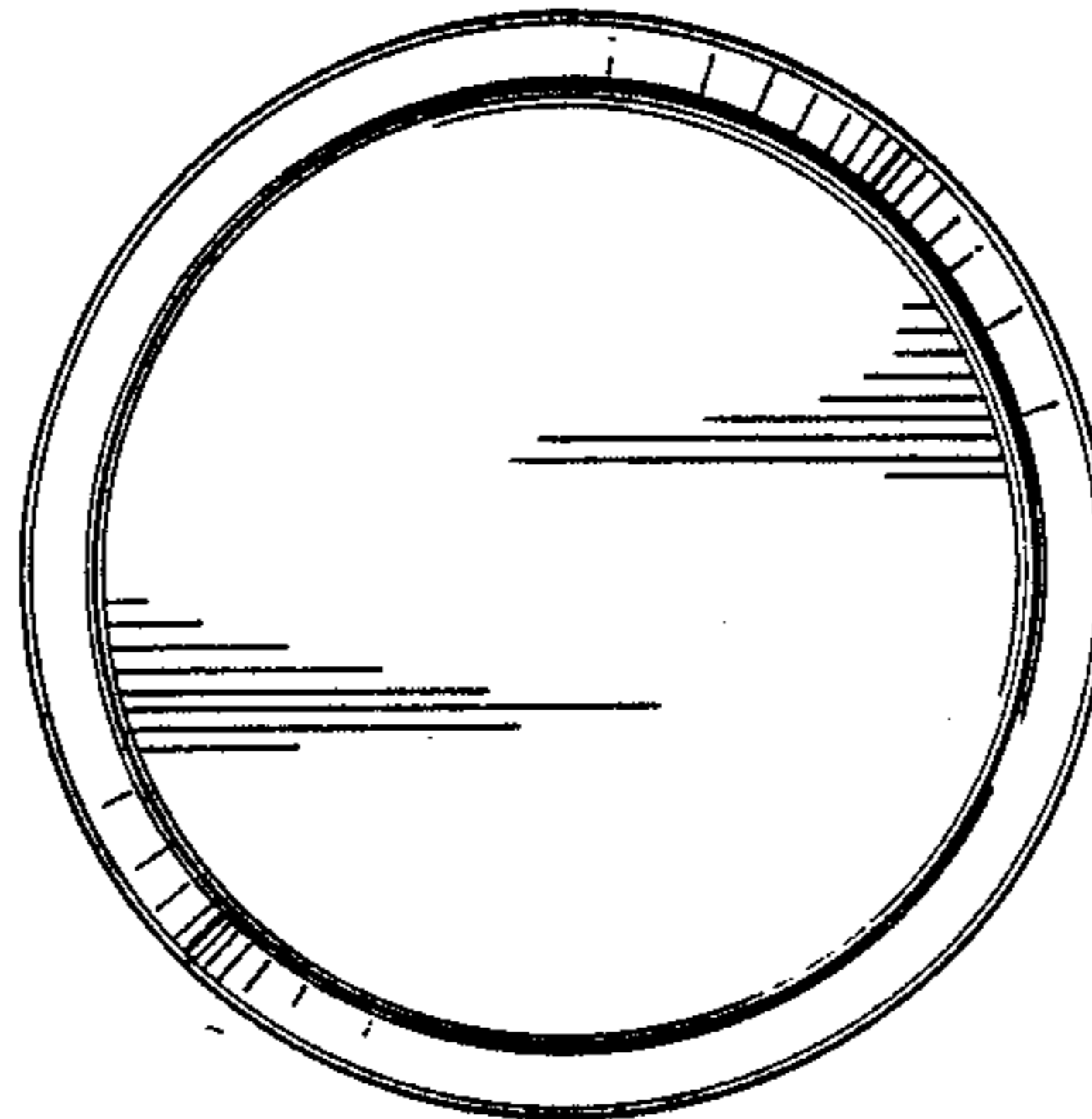


Fig. 5.

UNITED STATES PATENT AND TRADEMARK OFFICE
CERTIFICATE OF CORRECTION

PATENT NO. : D-308,167
DATED : May 29, 1990
INVENTOR(S) : Gary D. Holmes

It is certified that error appears in the above-identified patent and that said Letters Patent is hereby corrected as shown below:

Col. 2, after line "FIG. 4 is...; and" add the following:

"FIG. 5 is a bottom plan view thereof."

Signed and Sealed this
Twenty-eighth Day of May, 1991

Attest:

HARRY F. MANBECK, JR.

Attesting Officer

Commissioner of Patents and Trademarks