

United States Patent [19]

Weckman

[11] **Patent Number: Des. 308,166**

[45] **Date of Patent: ** May 29, 1990**

[54] **BOTTLE**

[75] **Inventor: Richard L. Weckman, Perrysburg, Ohio**

[73] **Assignee: Owens-Illinois Plastic Products Inc., Toledo, Ohio**

[**] **Term: 14 Years**

[21] **Appl. No.: 156,150**

[22] **Filed: Feb. 16, 1988**

[52] **U.S. Cl. D9/375; D9/347**

[58] **Field of Search D9/347, 341, 375, 376, D9/367, 300; 215/1 R, 1 C, 6**

[56] **References Cited**

U.S. PATENT DOCUMENTS

- D. 86,749 4/1932 Sciuto D9/347
- D. 199,644 11/1964 Trombley D9/375
- D. 209,625 12/1967 Hills D9/375

- D. 281,578 12/1985 Reidel D9/375
- 4,805,814 2/1989 Allen D9/375 X
- 4,832,230 5/1989 Janowitz D9/375 X

Primary Examiner—Melvin B. Feifer
Assistant Examiner—Lucy Lieberman

[57] **CLAIM**

The ornamental design for a bottle, as shown and described.

DESCRIPTION

FIG. 1 is a front elevational view of a bottle showing my new design;
 FIG. 2 is a top plan view of the bottle of FIG. 1;
 FIG. 3 is right end view of the bottle of FIG. 1;
 FIG. 4 is a left end view of the bottle of FIG. 1;
 FIG. 5 is a rear elevational view of the bottle of FIG. 1;
 and
 FIG. 6 is a cross-sectional view of taken at line 6—6 of FIG 5.

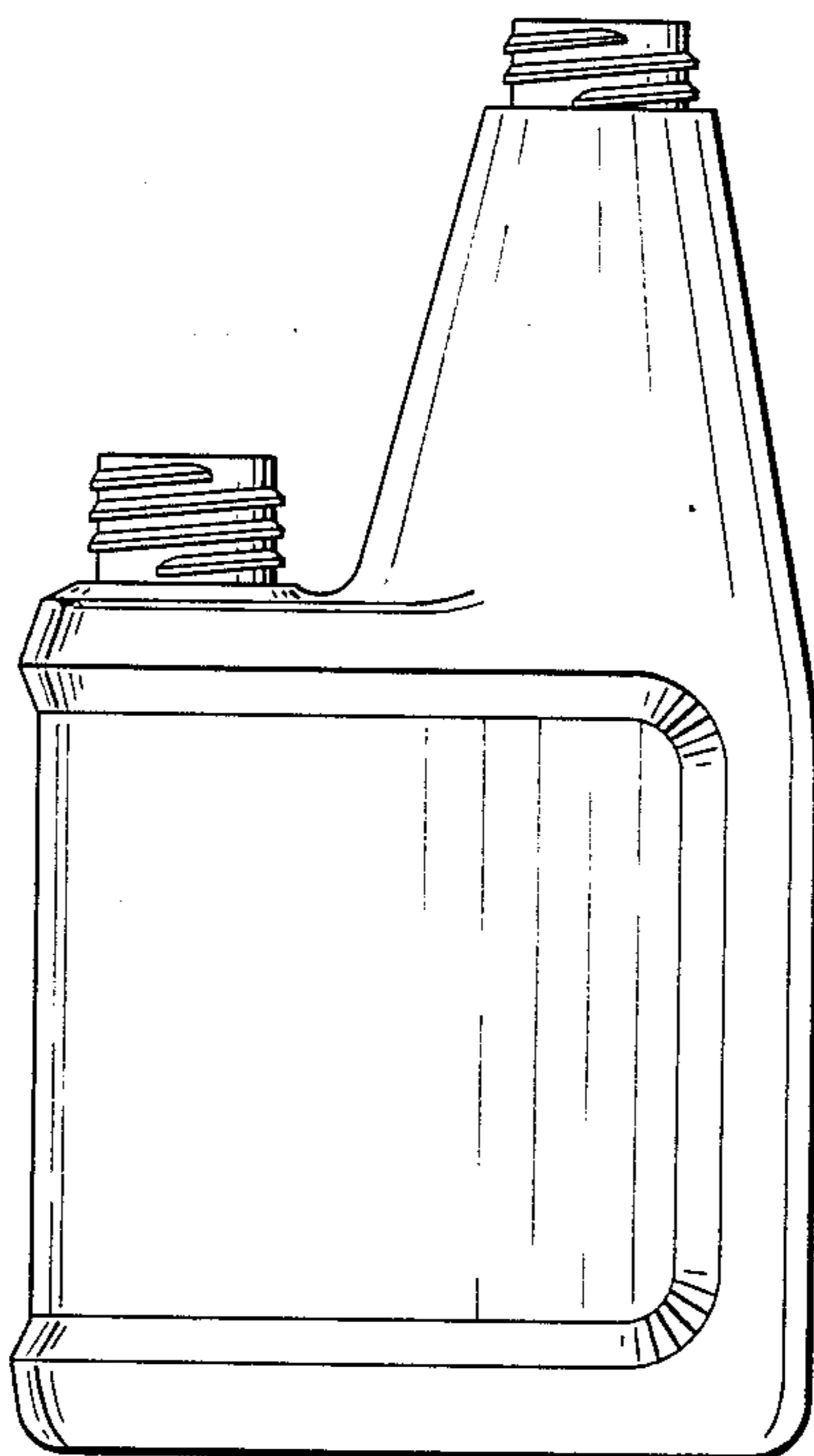


FIG. 1

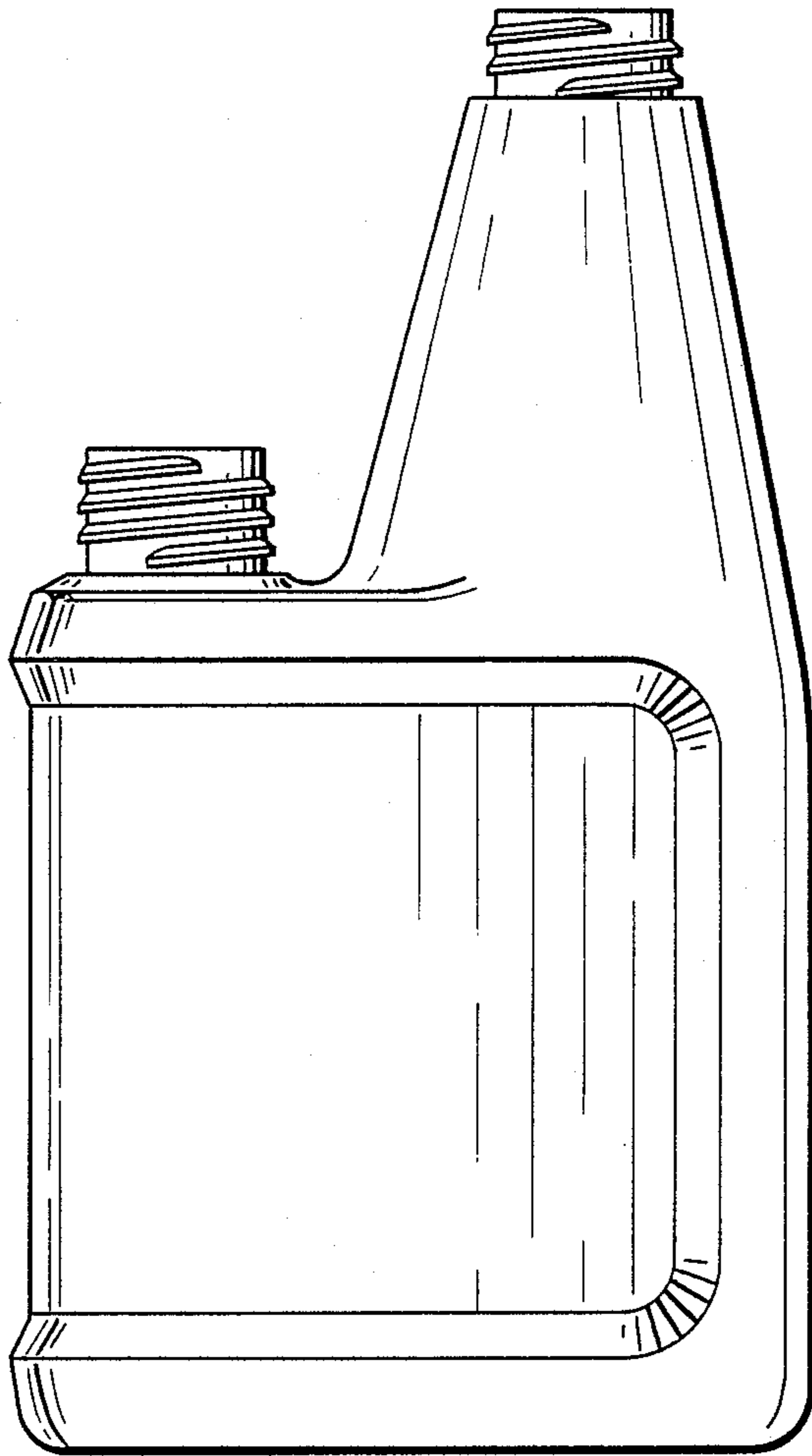
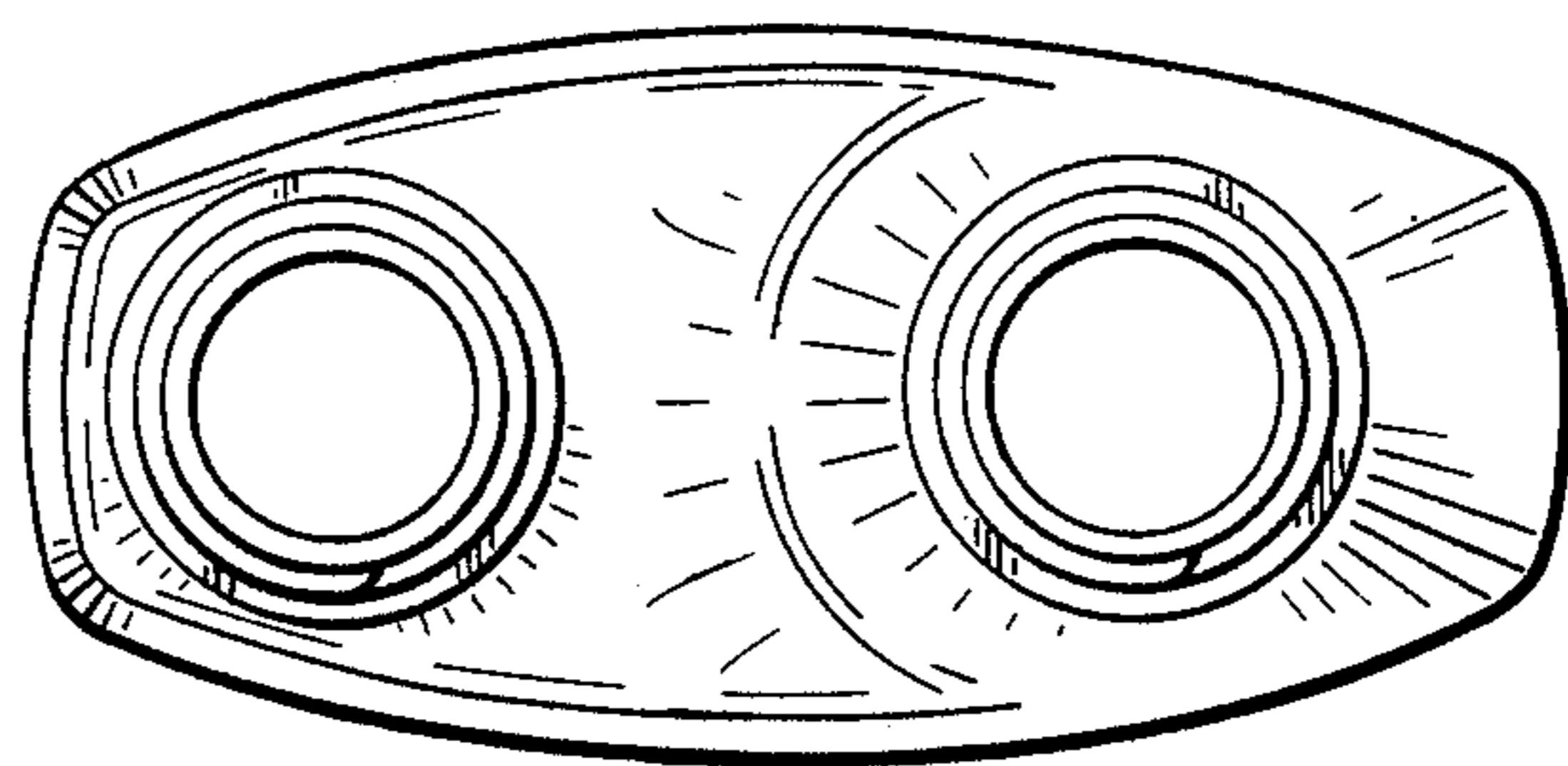


FIG. 2



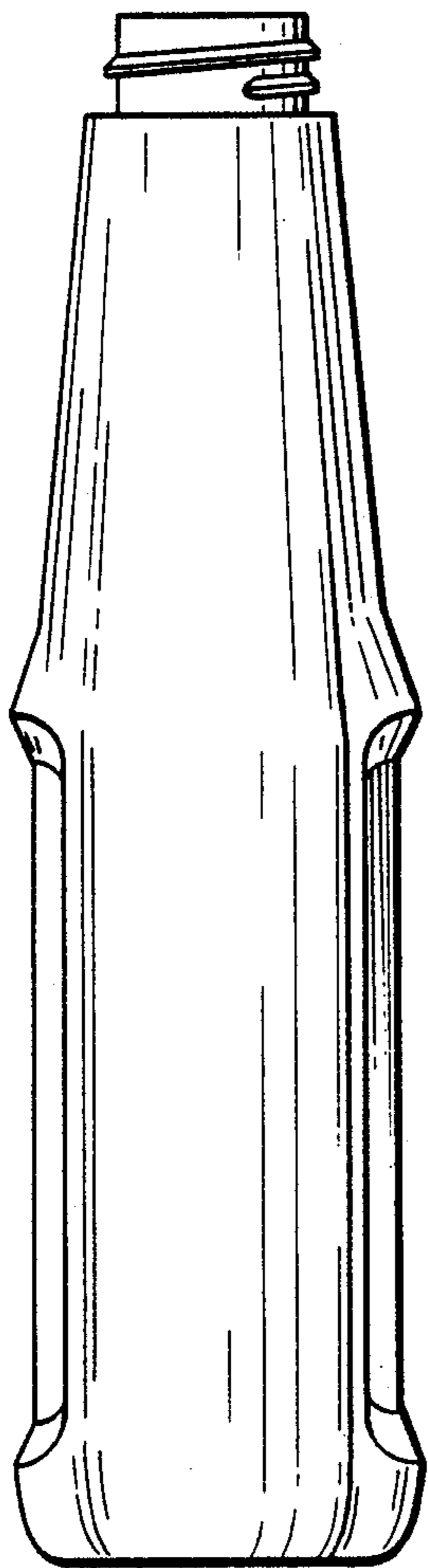


FIG. 3

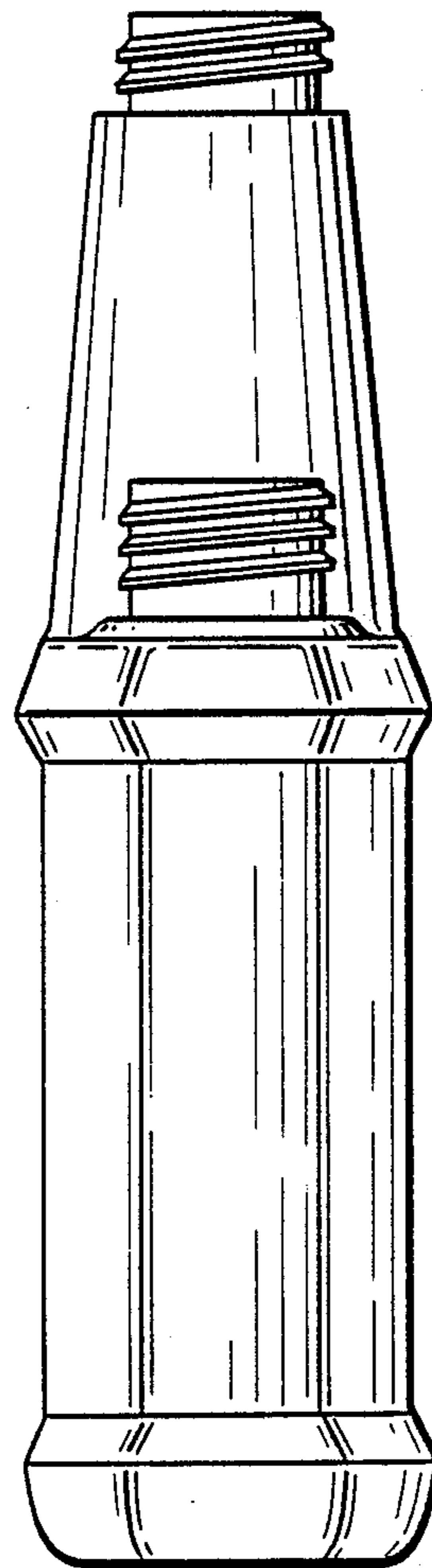


FIG. 4

FIG. 5

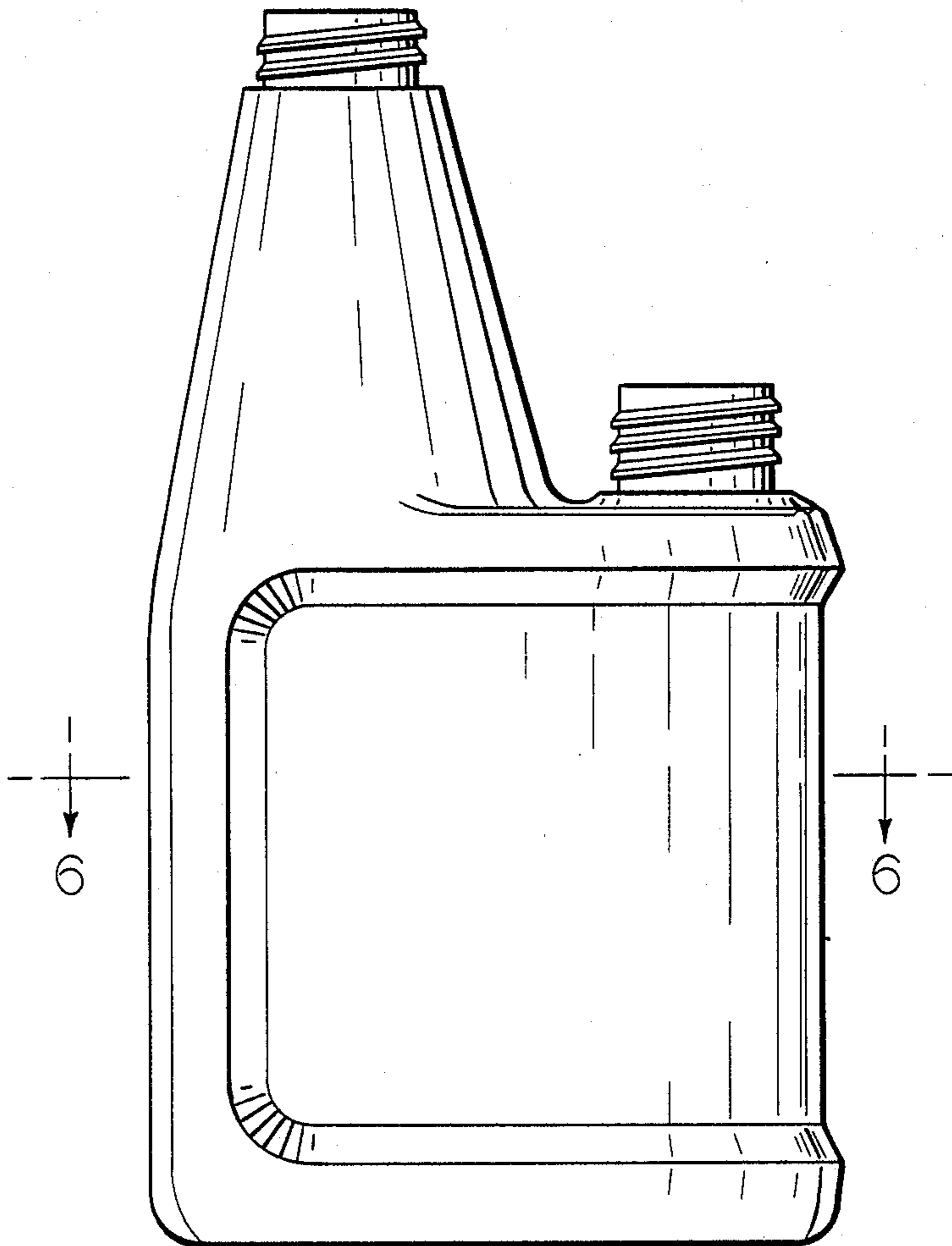


FIG. 6

