

[54] FLUID CONTAINER OR THE LIKE

[75] Inventors: **Robert C. Hollar, Wildwood;
Tung-Ming Huang, Elk Grove
Village, both of Ill.**

[73] Assignee: **Abbott Laboratories, North Chicago,
Ill.**

[*] Notice: The portion of the term of this patent
subsequent to Aug. 9, 2002 has been
disclaimed.

[**] Term: **14 Years**

[21] Appl. No.: **822,701**

[22] Filed: **Jan. 27, 1986**

[52] U.S. Cl. **D9/341**

[58] Field of Search **D9/341, 342, 347, 364,
D9/369, 348, 337, 400; 206/423, 443; D24/31**

[56] **References Cited**

U.S. PATENT DOCUMENTS

- D. 273,987 5/1984 Holen et al. D9/347
- D. 275,367 9/1984 Holewinski D9/369
- D. 297,166 8/1888 Hollar et al. D9/369

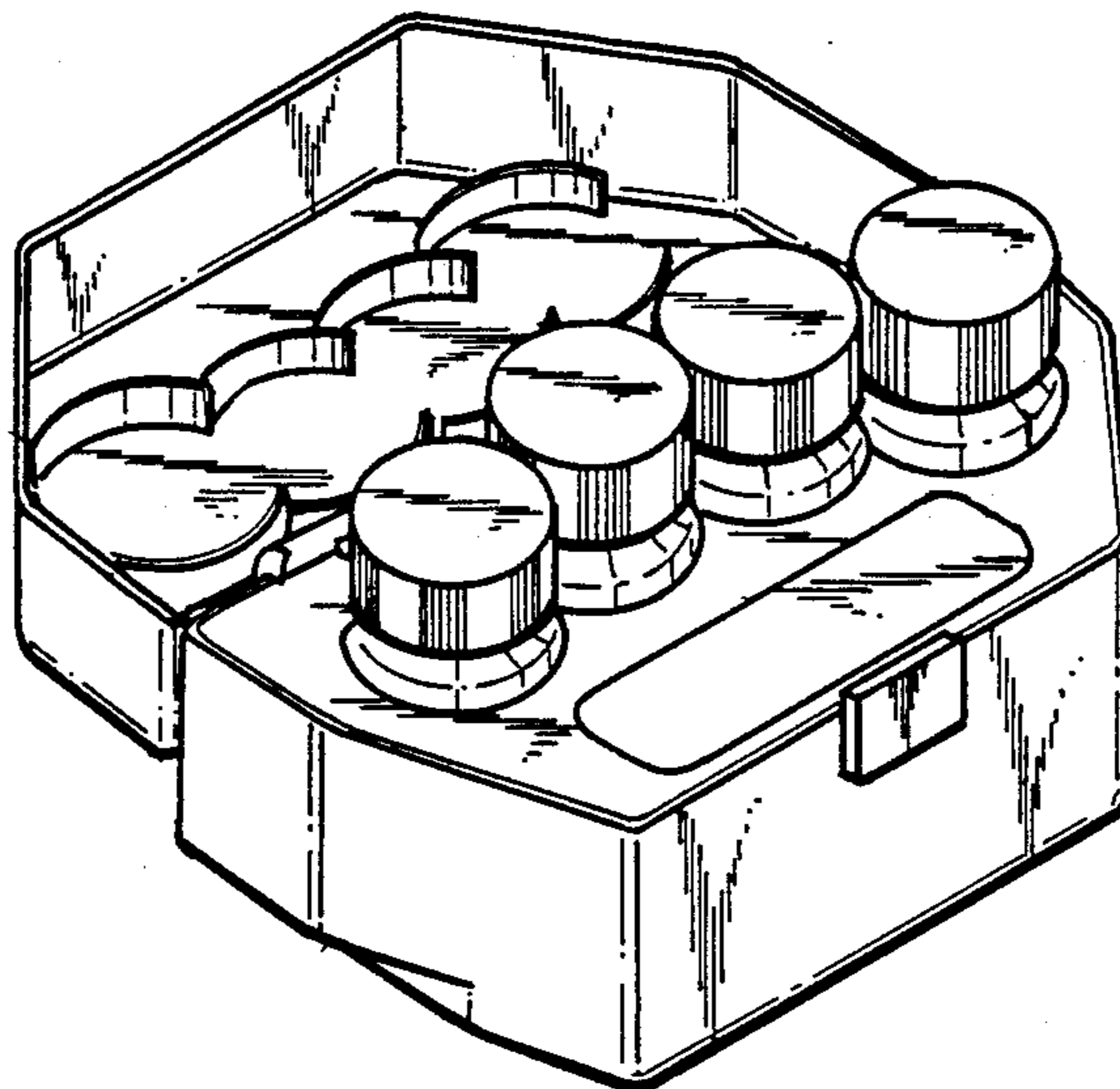
Primary Examiner—Louis S. Zarfaz
Assistant Examiner—R. T. Seifert
Attorney, Agent, or Firm—Donna Bobrowicz; Daniel W.
Collins; James L. Wilcox

[57] **CLAIM**

The ornamental design for a fluid container or the like,
as shown.

DESCRIPTION

FIG. 1 is a perspective view from the top right front of
a fluid container or the like showing my new design;
FIG. 2 is a top plan view thereof;
FIG. 3 is a side elevational view thereof;
FIG. 4 is a bottom plan view thereof;
FIG. 5 is a front elevational view thereof;
FIG. 6 is a rear elevational view thereof;



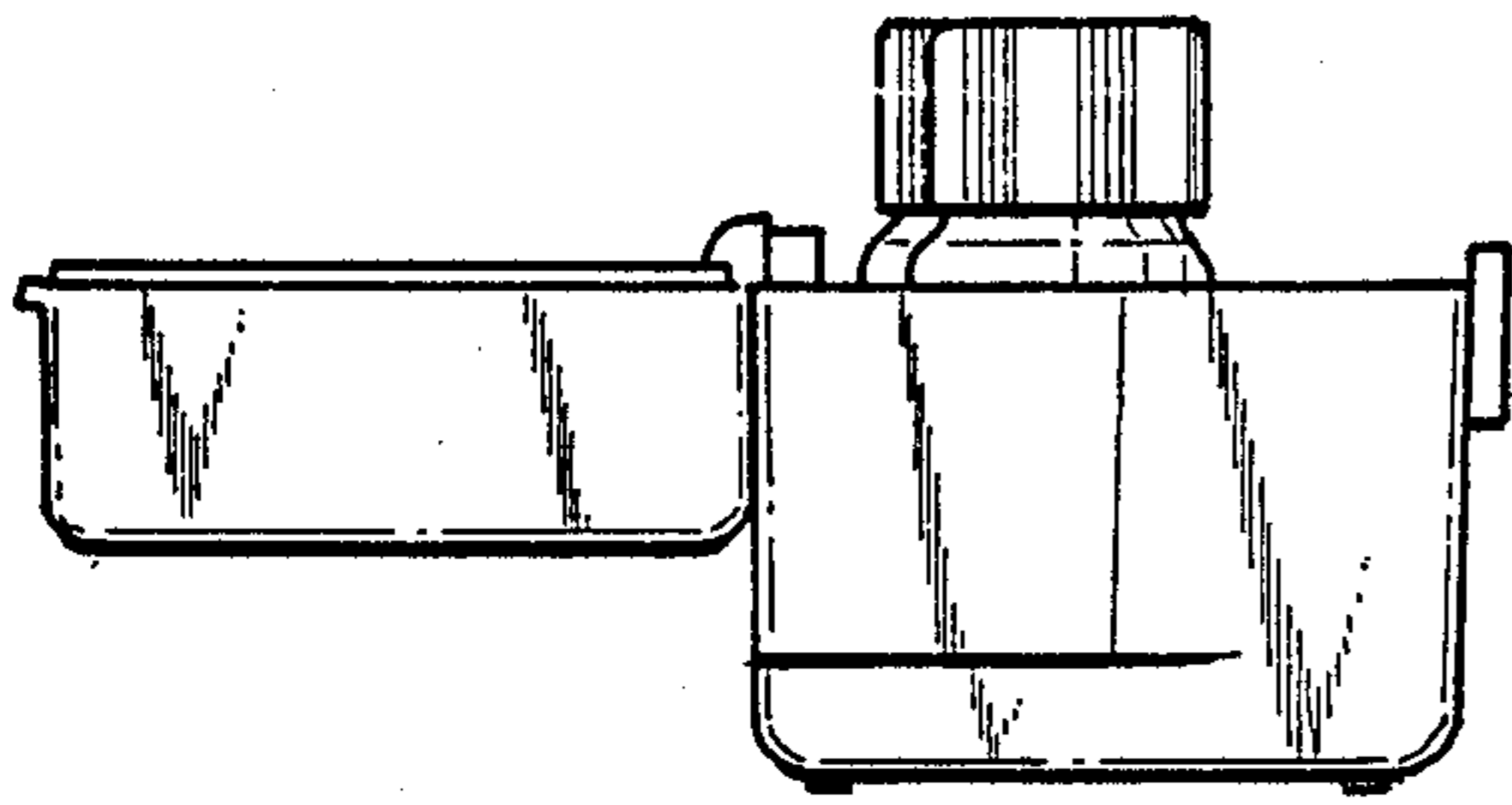


FIG. 3

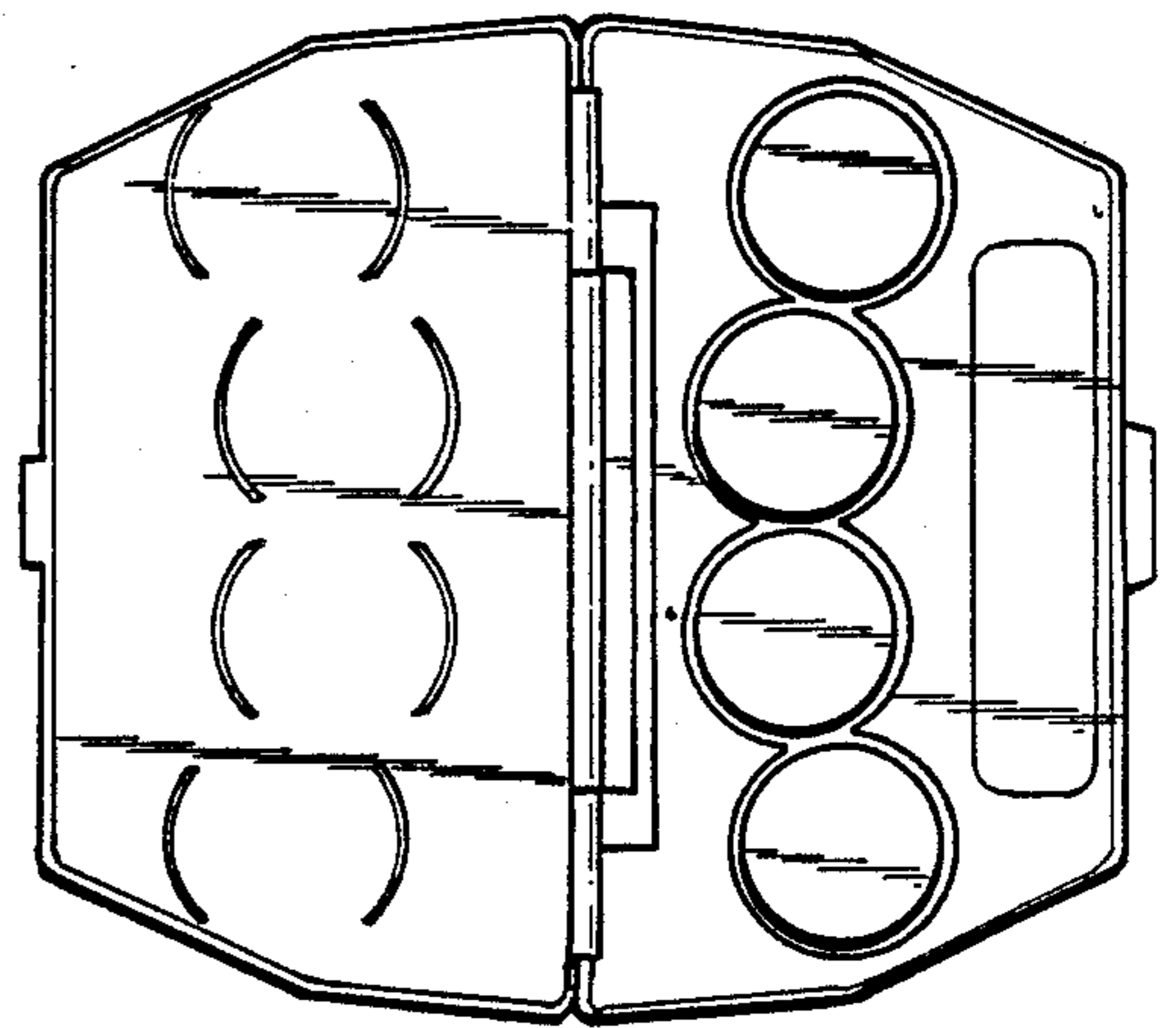


FIG. 2

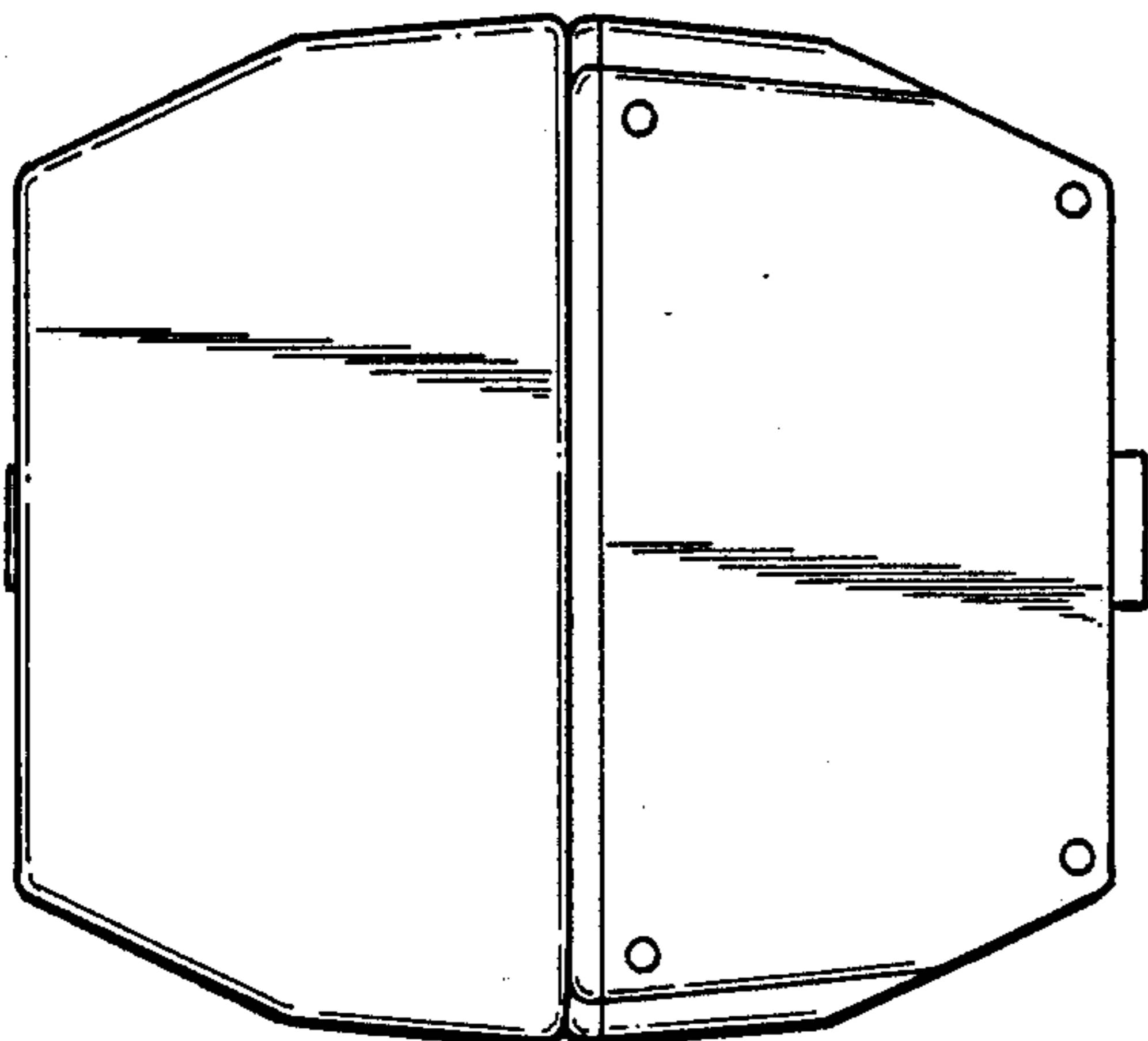


FIG. 4

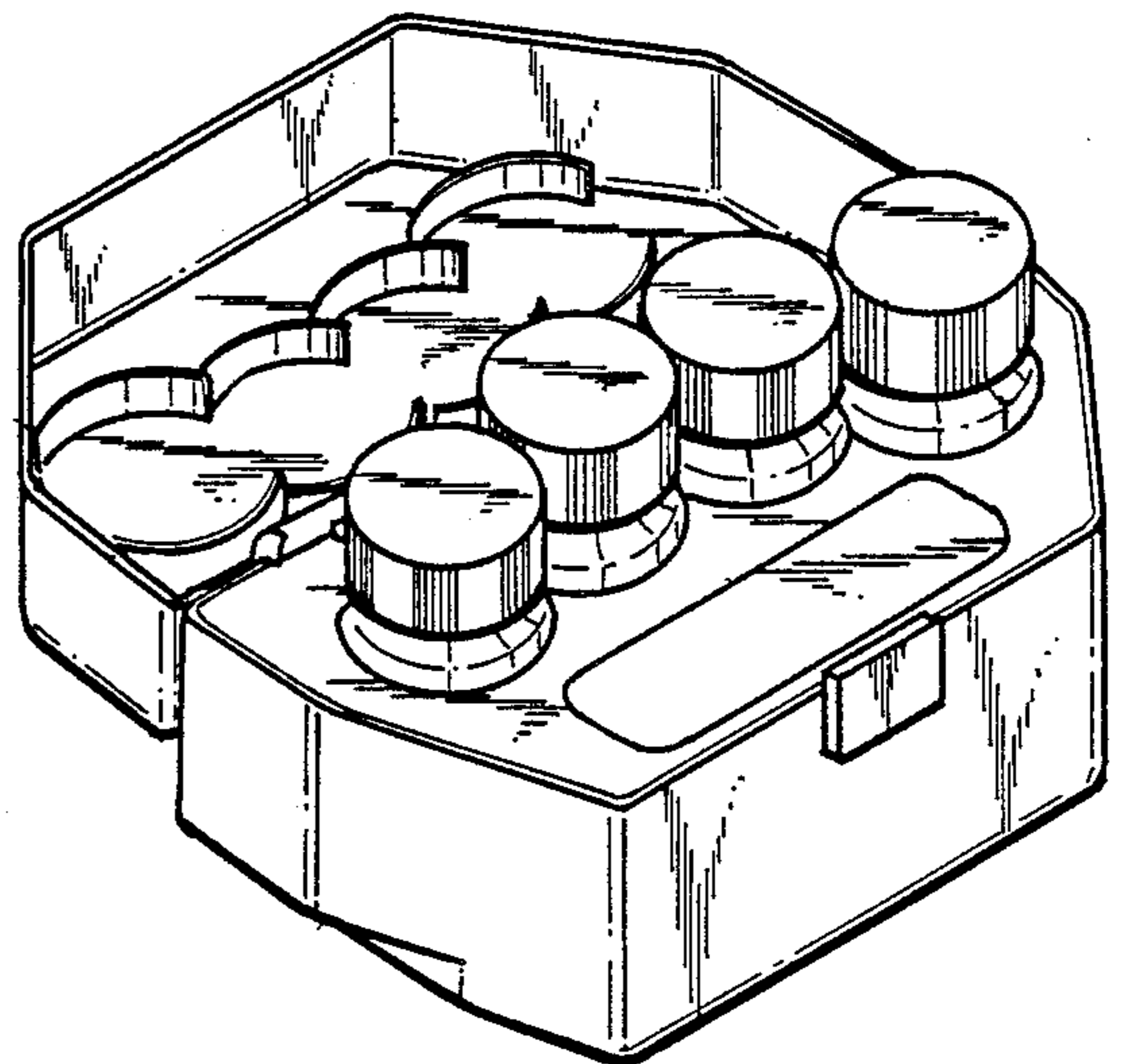


FIG. 1

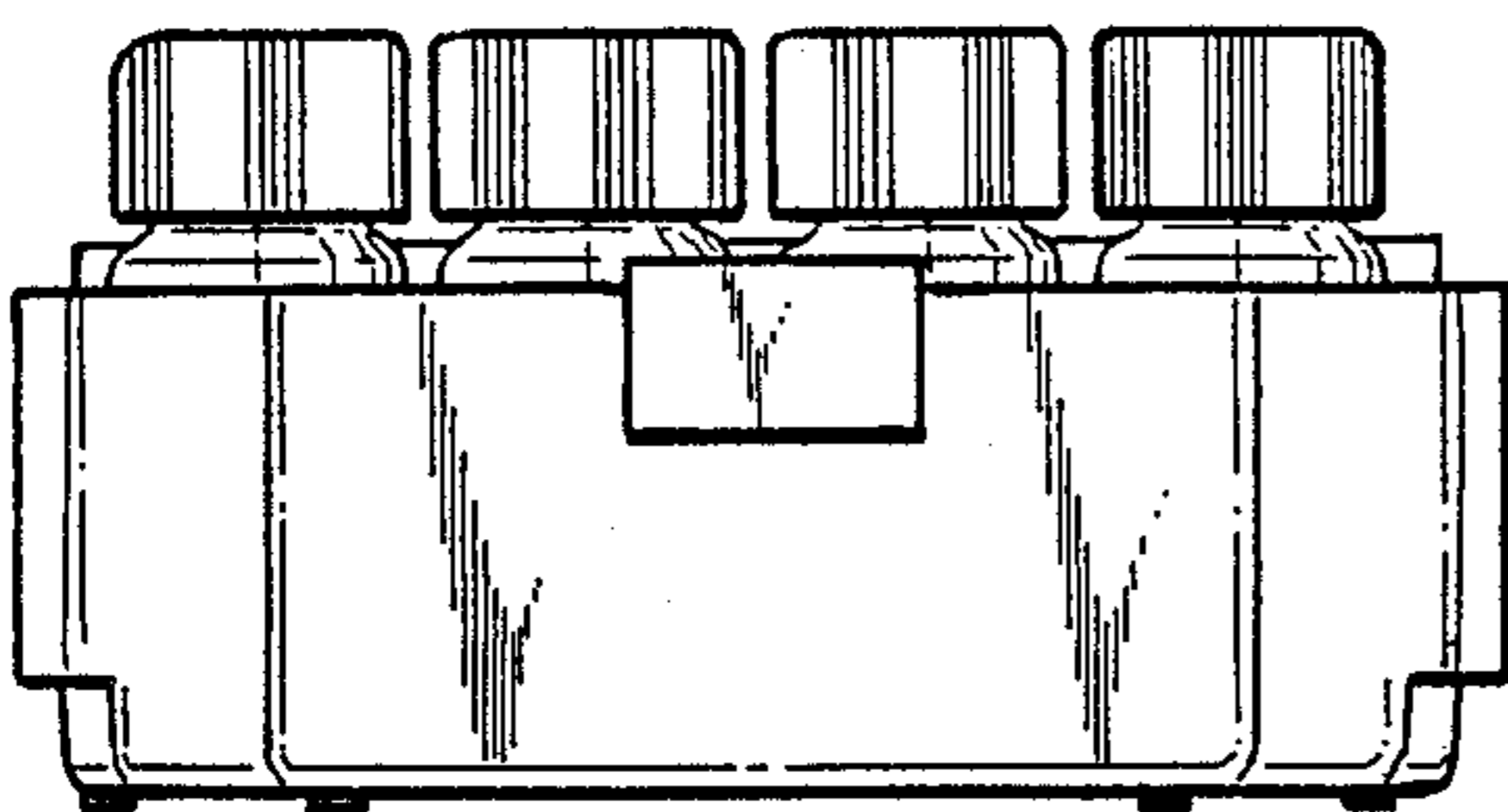


FIG. 5

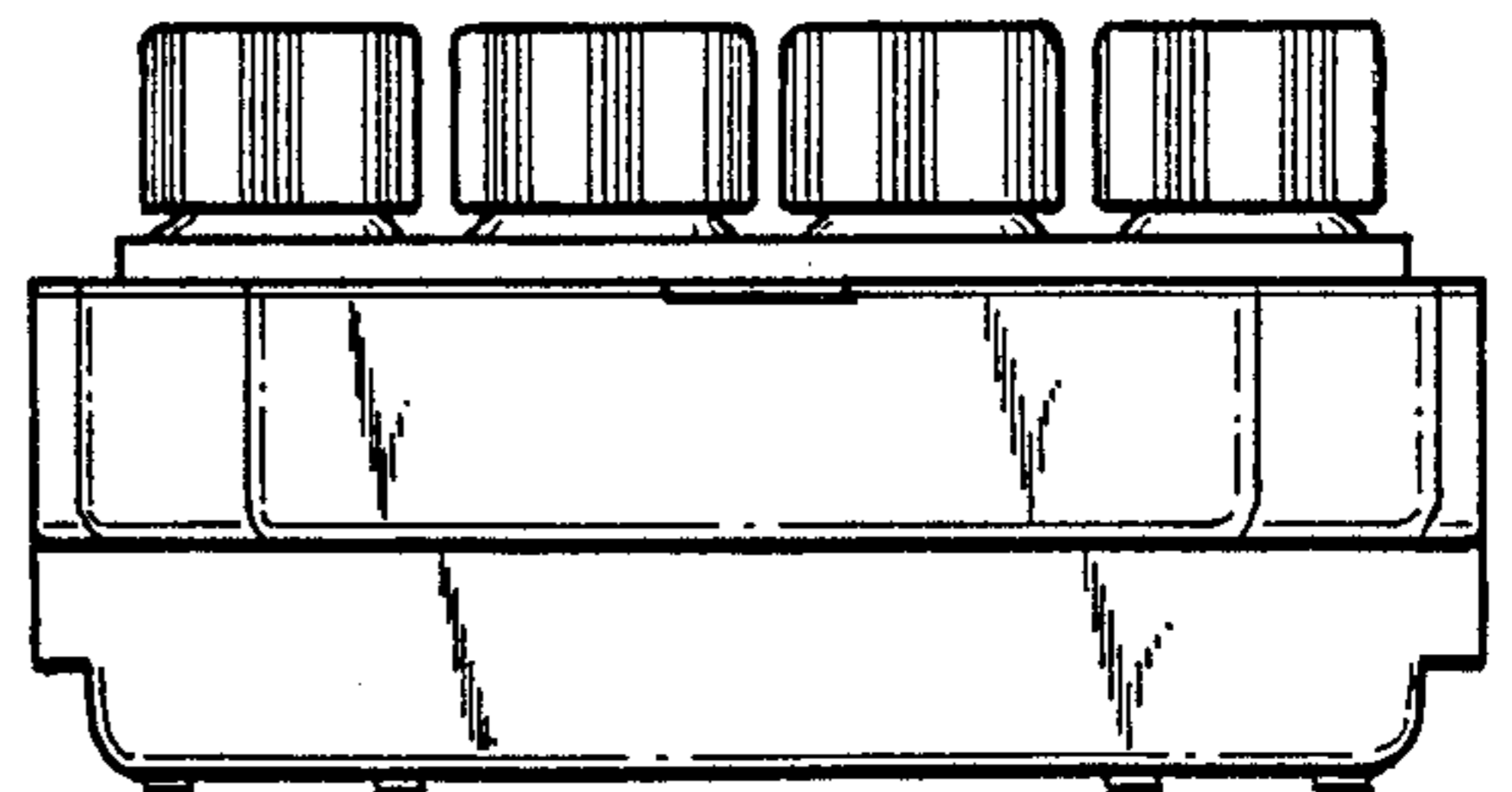


FIG. 6