

[54] TORCH STAND

[75] Inventors: Henry D. Sweeny, Kitchener; Antonio D. Sabbadin, Waterloo, both of Canada

[73] Assignee: Swenco Limited, Waterloo, Canada

[**] Term: 14 Years

[21] Appl. No.: 394,268

[22] Filed: Aug. 10, 1989

Related U.S. Application Data

[62] Division of Ser. No. 39,059, Apr. 16, 1987, abandoned.

[30] Foreign Application Priority Data

Oct. 23, 1986 [CA] Canada 23-10-86-2
[52] U.S. Cl. D8/71; D8/30
[58] Field of Search D8/14.1, 30, 29.1, 71; 248/117.1-117.7, 102-105, 346, 346.1, 176, 152; 211/70, 70.1, 70.8, 163; 219/159, 443, 464, 468

[56] References Cited

U.S. PATENT DOCUMENTS

786,768 4/1905 Keller 248/152
1,307,482 6/1919 Cheek 248/152
2,033,296 3/1936 Porter 248/102

2,501,675 3/1950 Grunewald 248/346
3,058,708 10/1962 Murray et al. 248/102
3,297,289 1/1967 La Raus 248/152
4,799,636 1/1989 Johnson 248/102

FOREIGN PATENT DOCUMENTS

467597 12/1951 Italy 248/105
202759 of 1909 United Kingdom 248/152
361960 11/1931 United Kingdom 219/468

OTHER PUBLICATIONS

Solder-Ability ©1970 Product Line Catalog p. 9, ERSA Rubber Tool Rest.

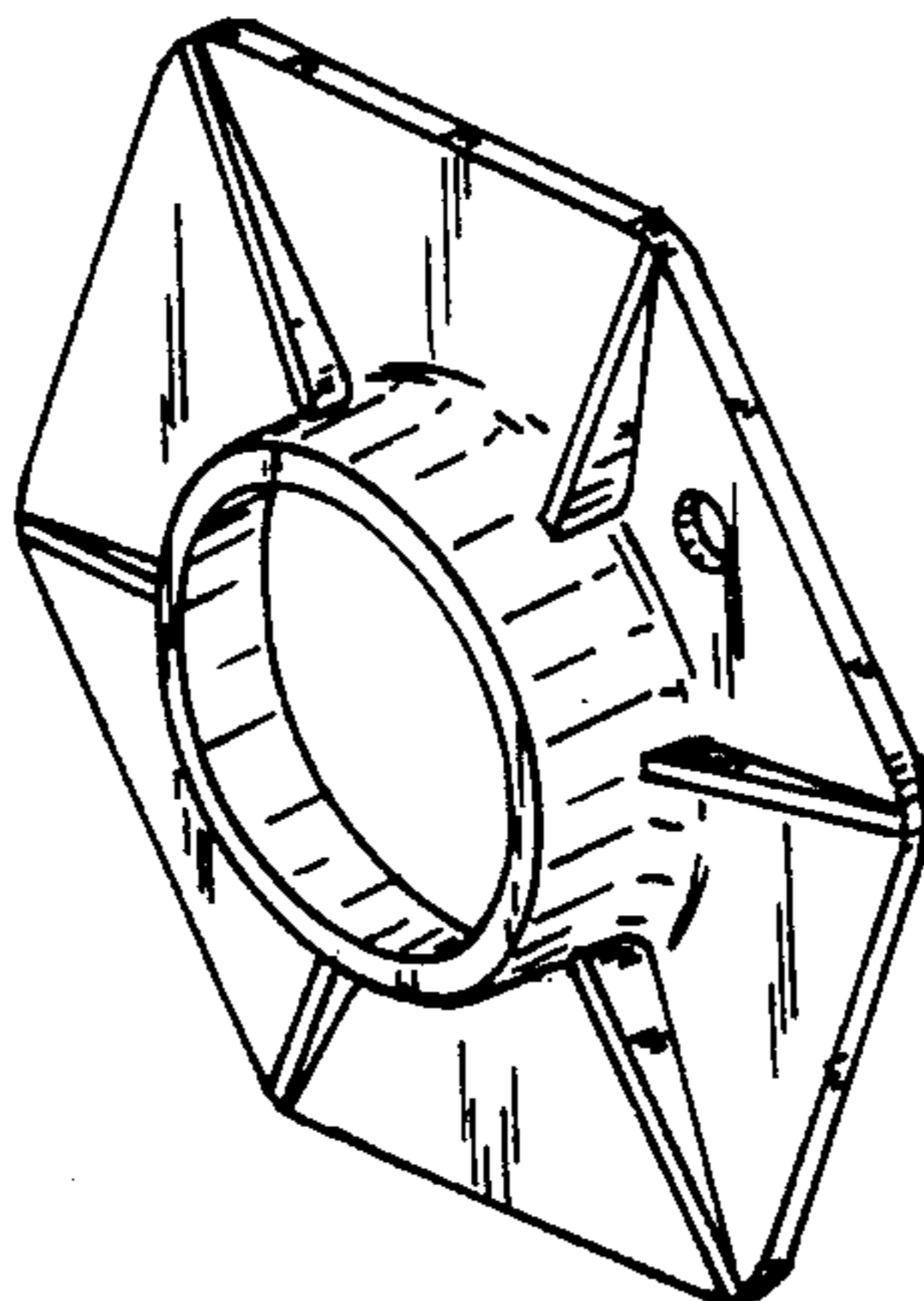
Primary Examiner—Nelson C. Holtje
Assistant Examiner—Clare E. Heflin
Attorney, Agent, or Firm—Jones, Tullar & Cooper

[57] CLAIM

The ornamental design for a torch stand, as shown and described.

DESCRIPTION

FIG. 1 is a top plan view of the torch stand showing our new design;
FIG. 2 is a side elevational view thereof, the opposite side being identical;
FIG. 3 is a bottom plan view thereof;
FIG. 4 is a top perspective view thereof.



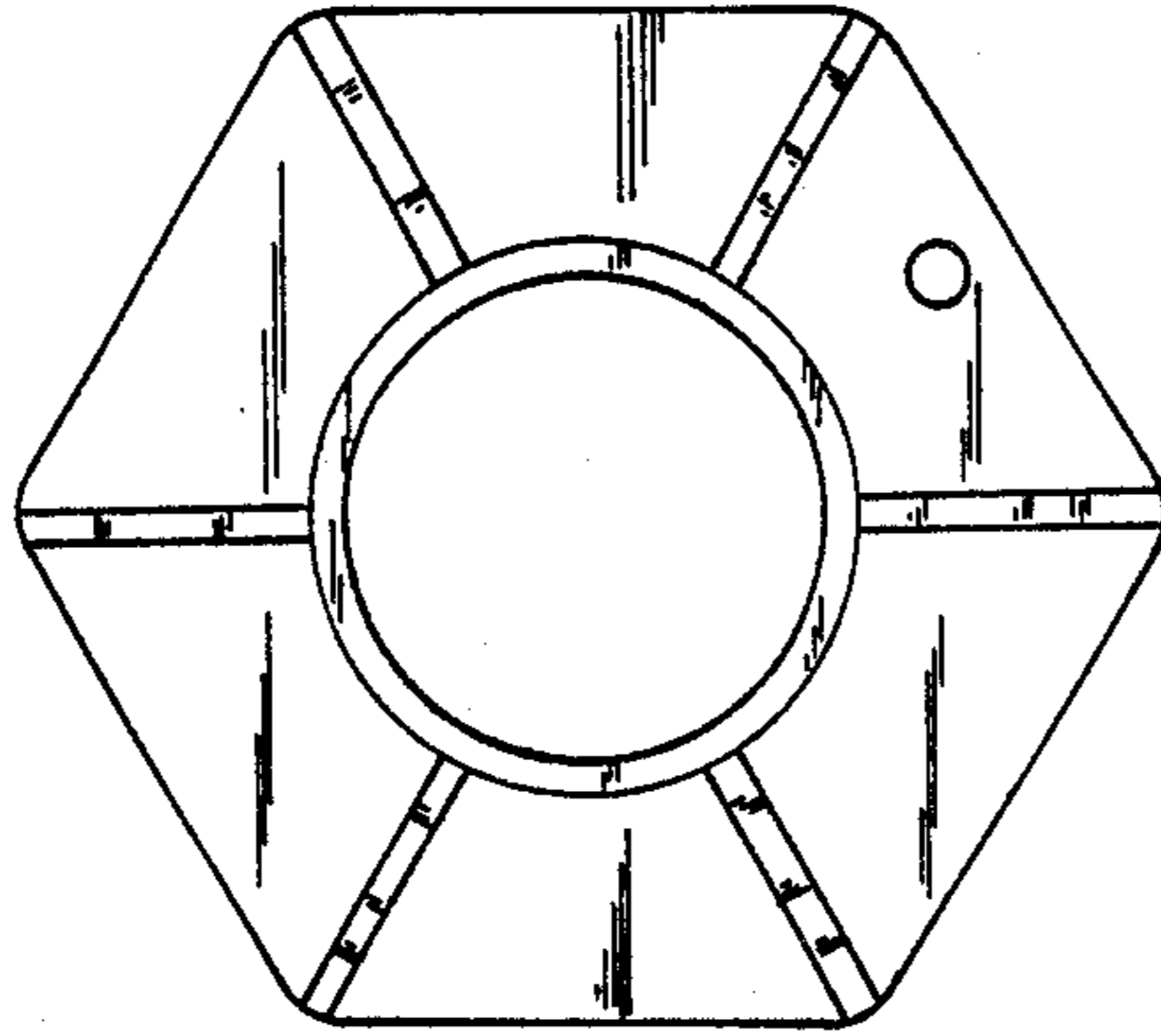


FIG. 1

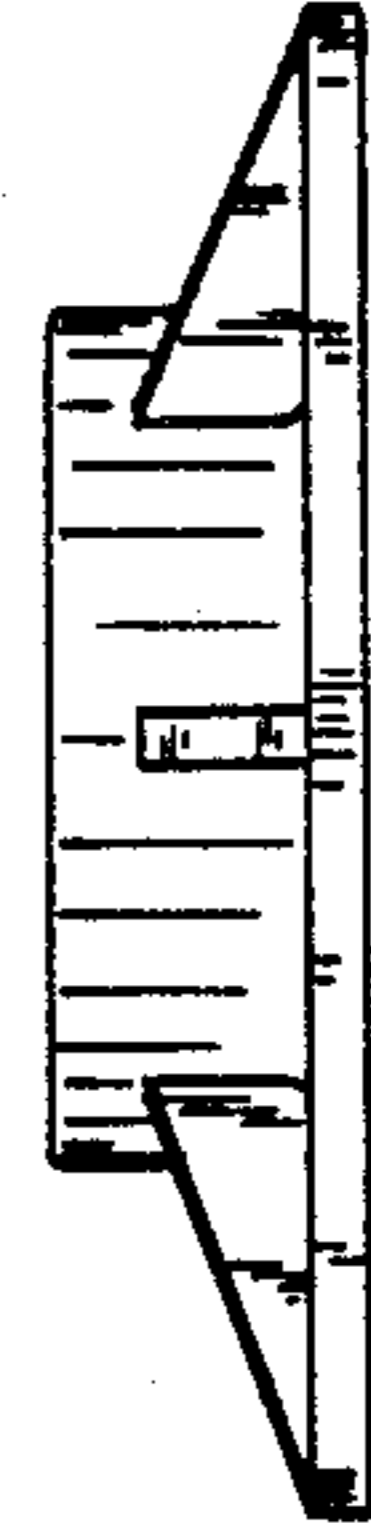


FIG. 2

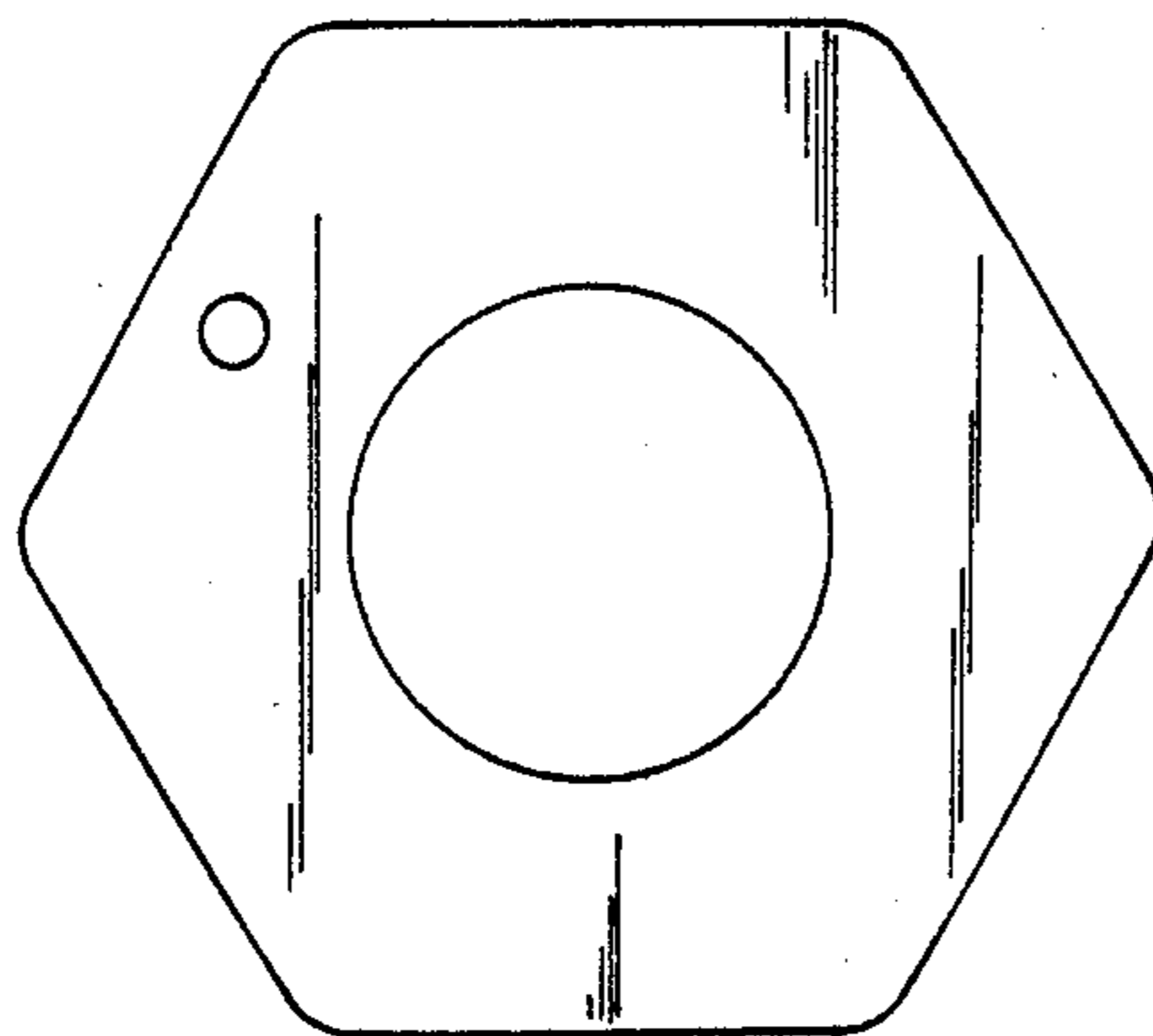


FIG. 3

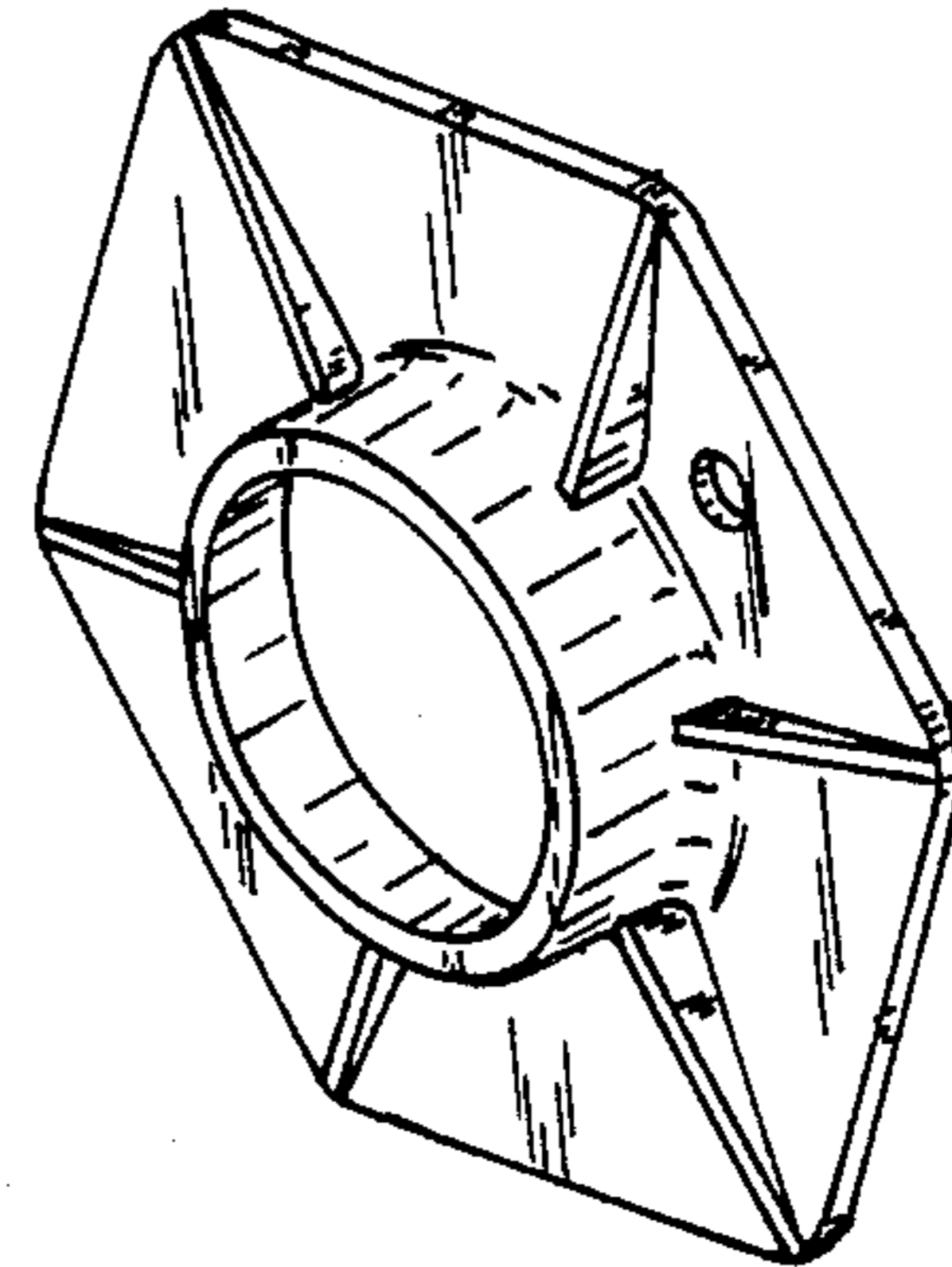


FIG. 4