

[54] **CAN OPENER**

[75] **Inventor: Franz A. Stützer, Offenbach am Main, Fed. Rep. of Germany**

[73] **Assignee: Rowenta-Werke GmbH, Offenbach am Main, Fed. Rep. of Germany**

[**] **Term: 14 Years**

[21] **Appl. No.: 174,018**

[22] **Filed: Mar. 28, 1988**

[30] **Foreign Application Priority Data**

Oct. 2, 1987 [DE] Fed. Rep. of Germany ... 5MR10792

[52] **U.S. Cl. D8/35**

[58] **Field of Search D8/33-36;
30/400, 403, 410, 416, 421-426**

[56] **References Cited**

U.S. PATENT DOCUMENTS

D. 243,819 3/1977 Avisa et al. D8/36
3,942,247 3/1976 Ponczak et al. D8/34 X

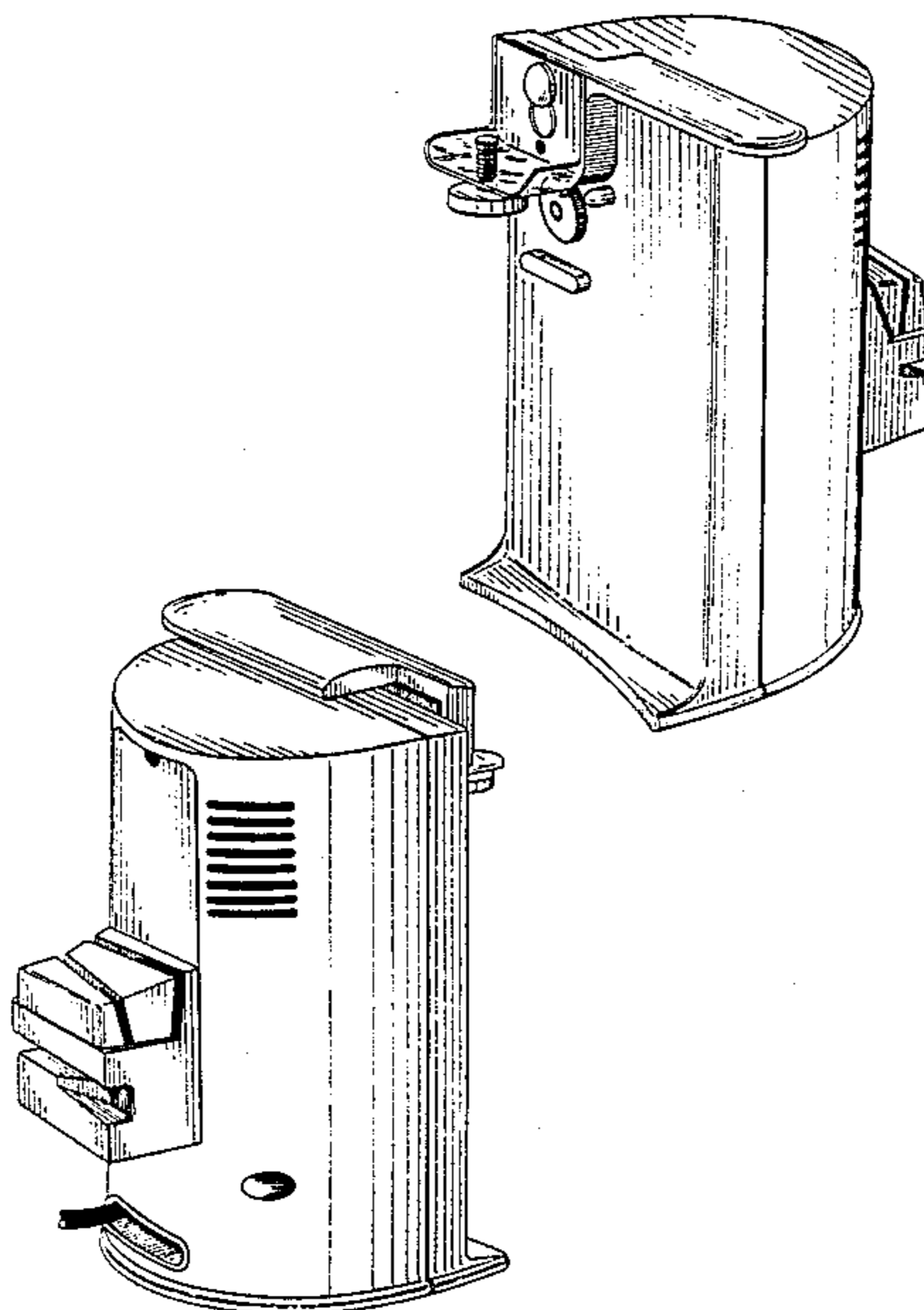
Primary Examiner—Bernard Ansher
Assistant Examiner—Terry A. Pfeffer
Attorney, Agent, or Firm—Toren, McGeady & Associates

[57] **CLAIM**

The ornamental design for a can opener, as shown.

DESCRIPTION

FIG. 1 is a front perspective view of a can opener showing my new design;
FIG. 2 is a rear perspective thereof;
FIG. 3 is a right side elevational view thereof;
FIG. 4 is a left side elevational view thereof;
FIG. 5 is a front elevational view thereof;
FIG. 6 is a rear elevational view thereof;
FIG. 7 is a top plan view thereof; and
FIG. 8 is a bottom plan view thereof.



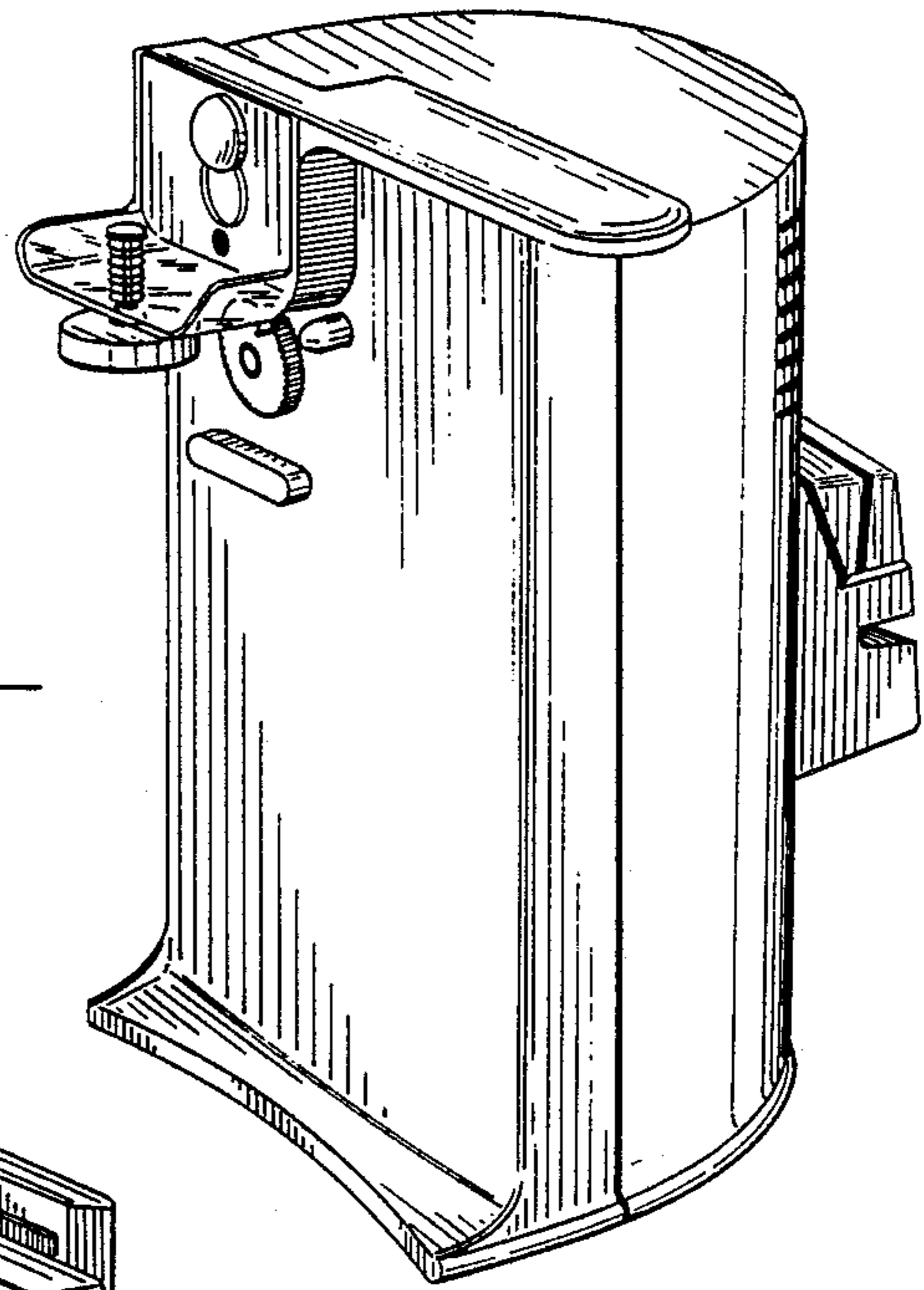


FIG.-1

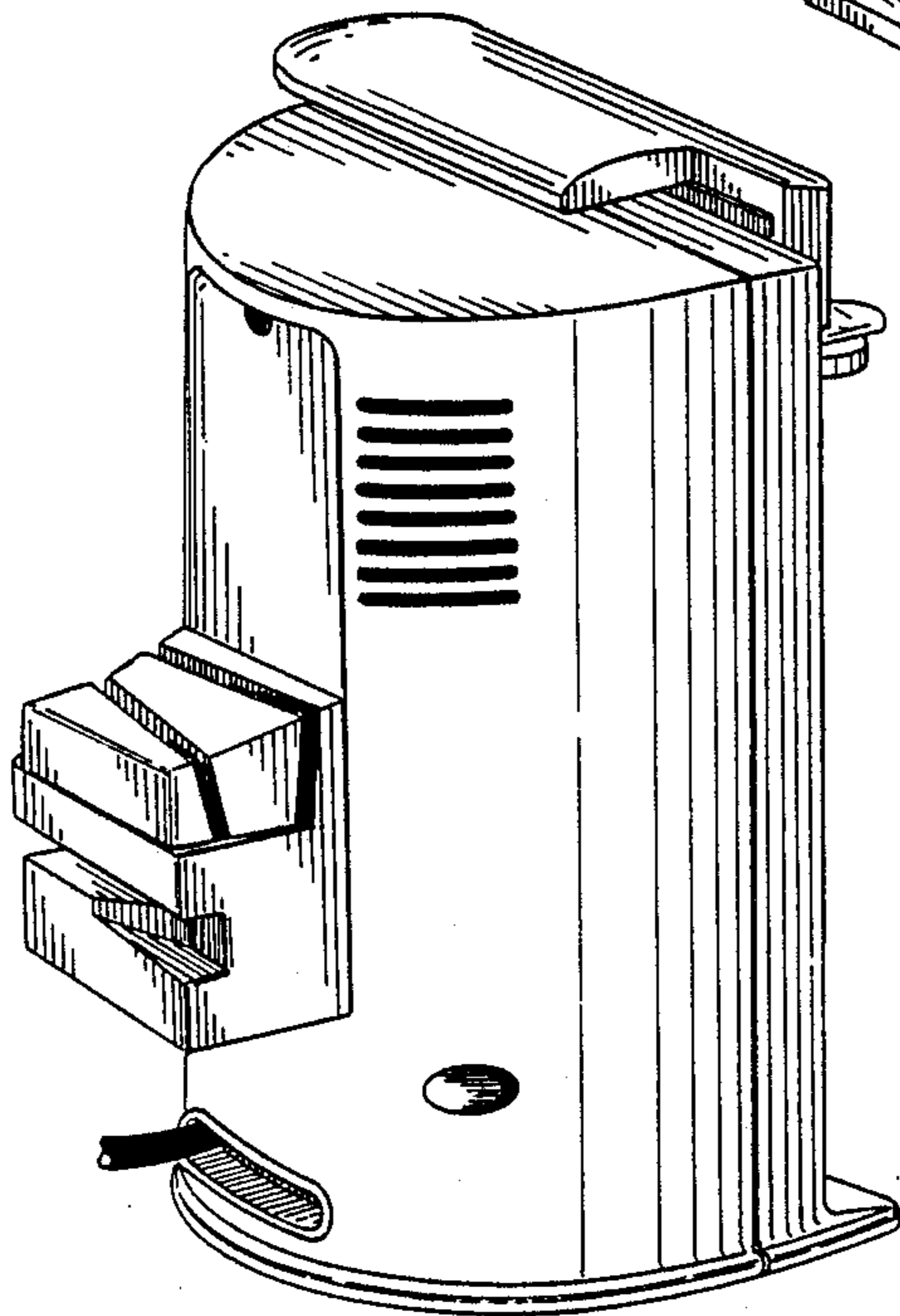


FIG.-2

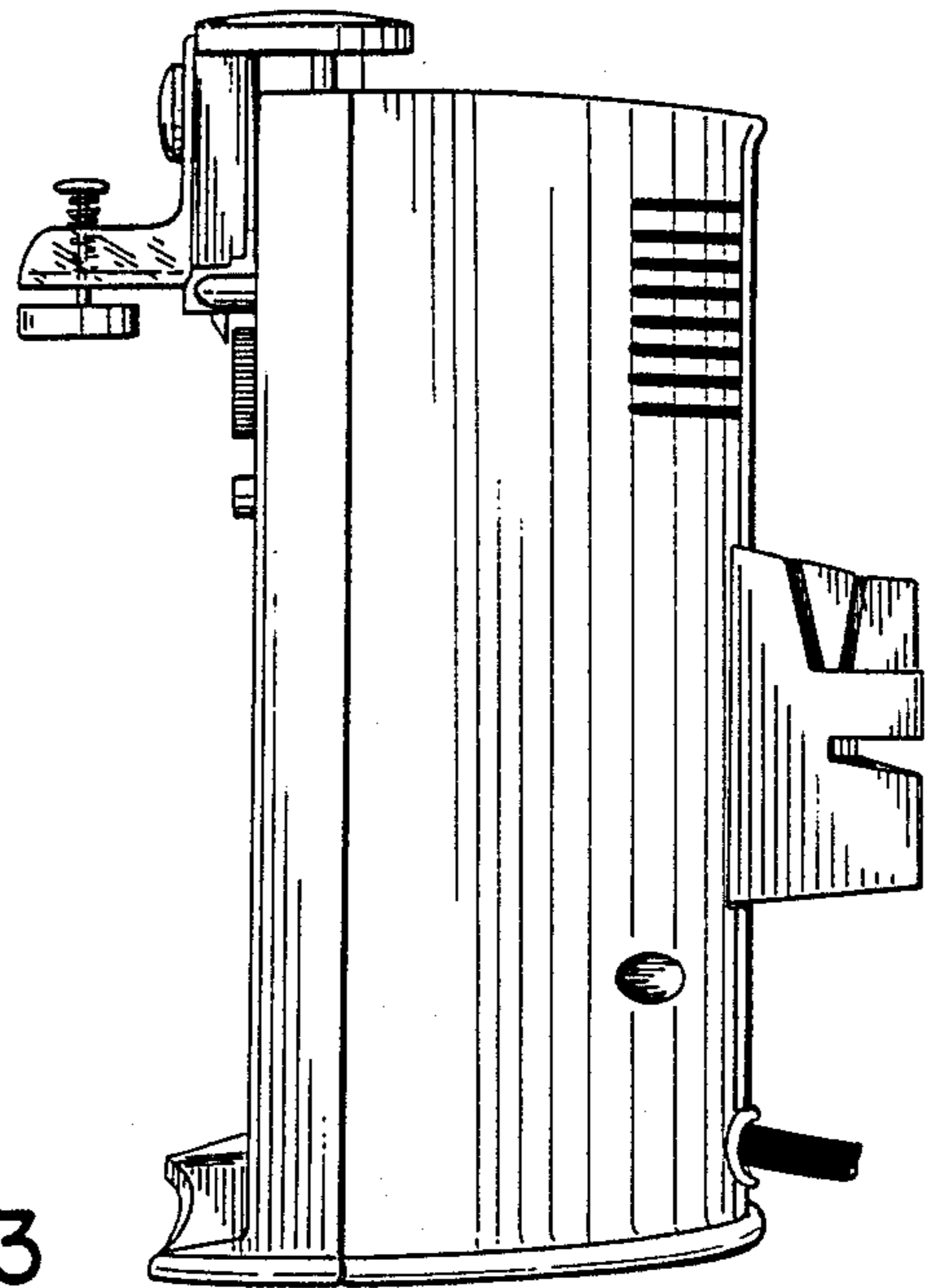


FIG.-3

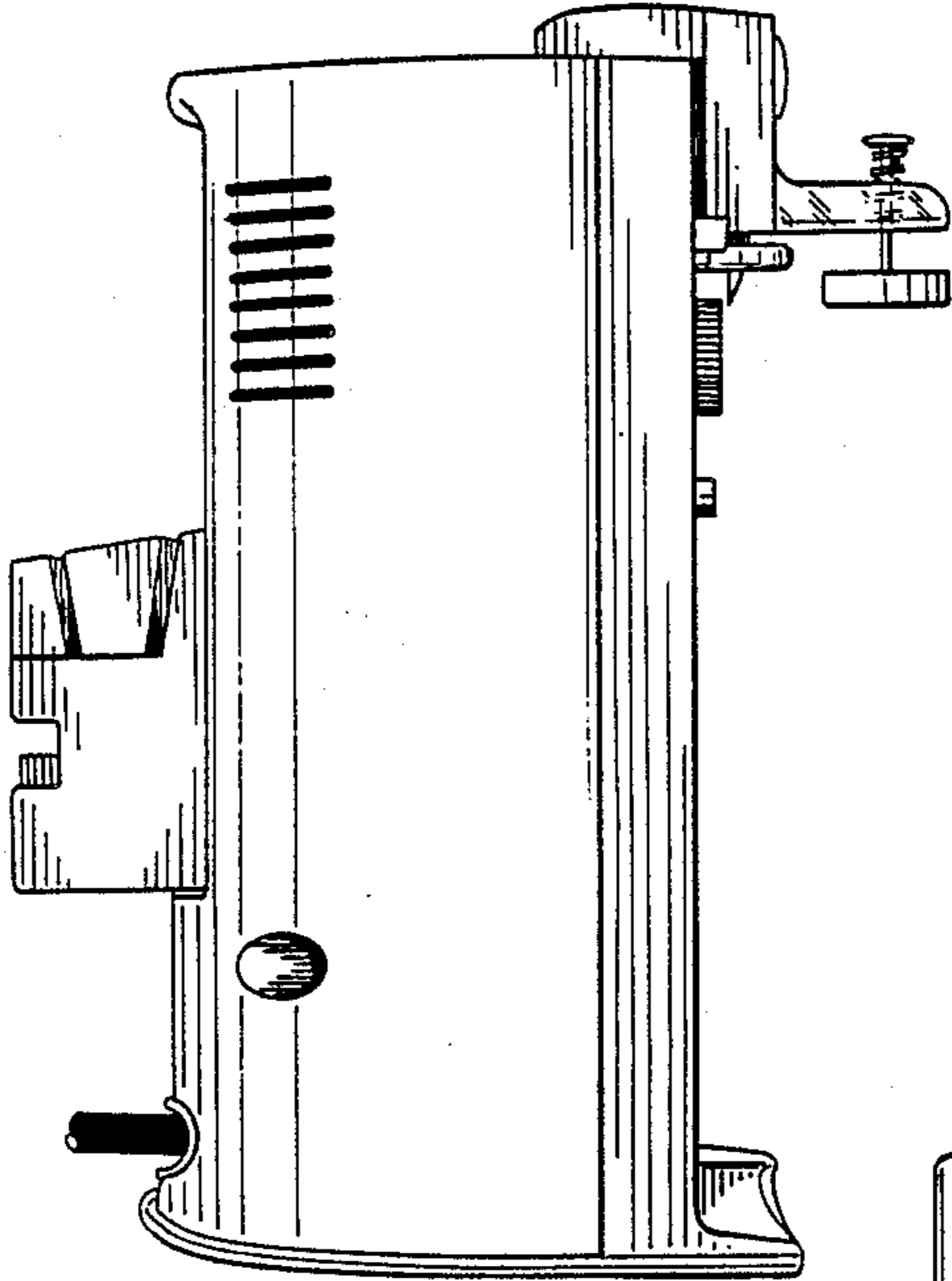


FIG.-4

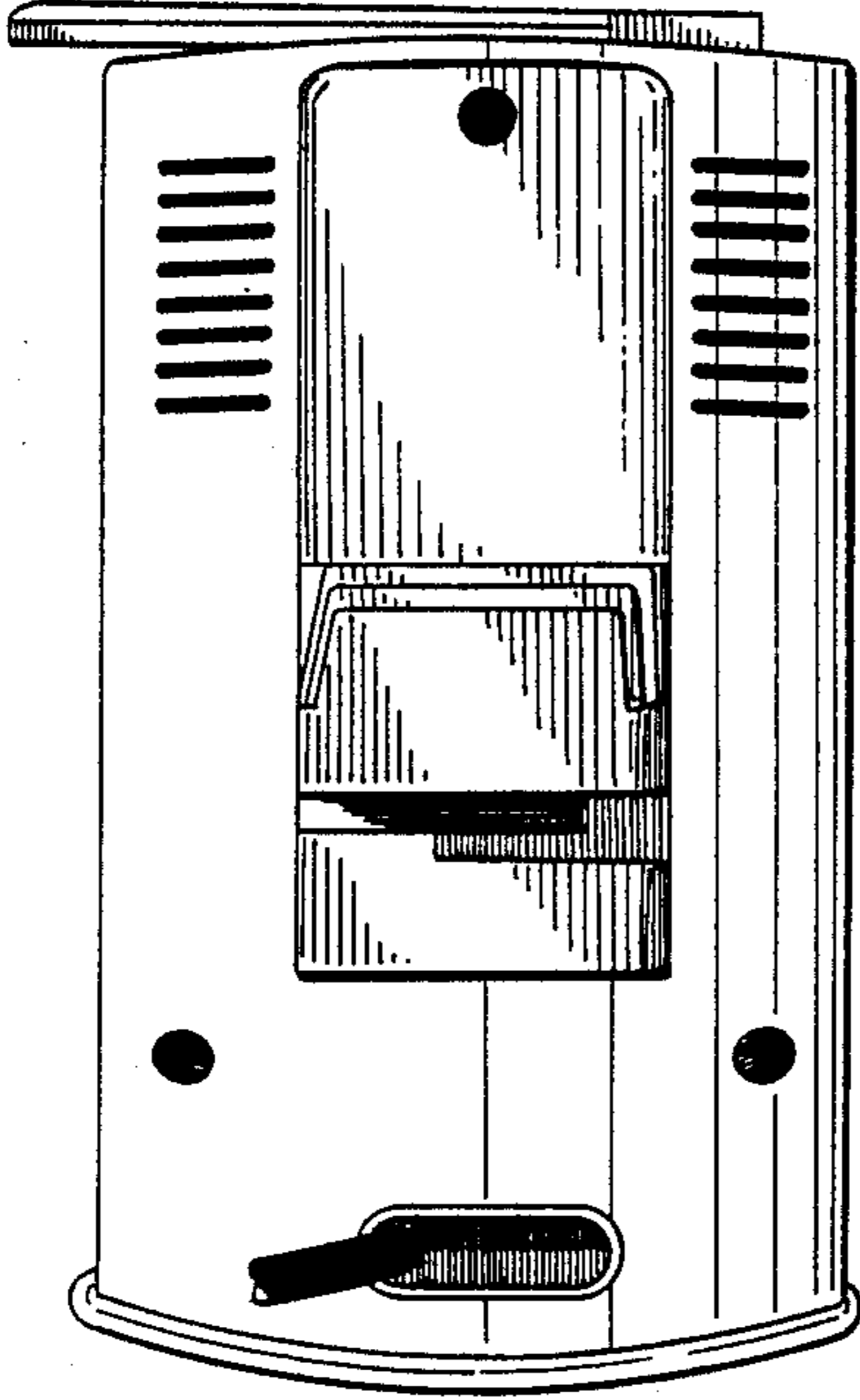


FIG.-6

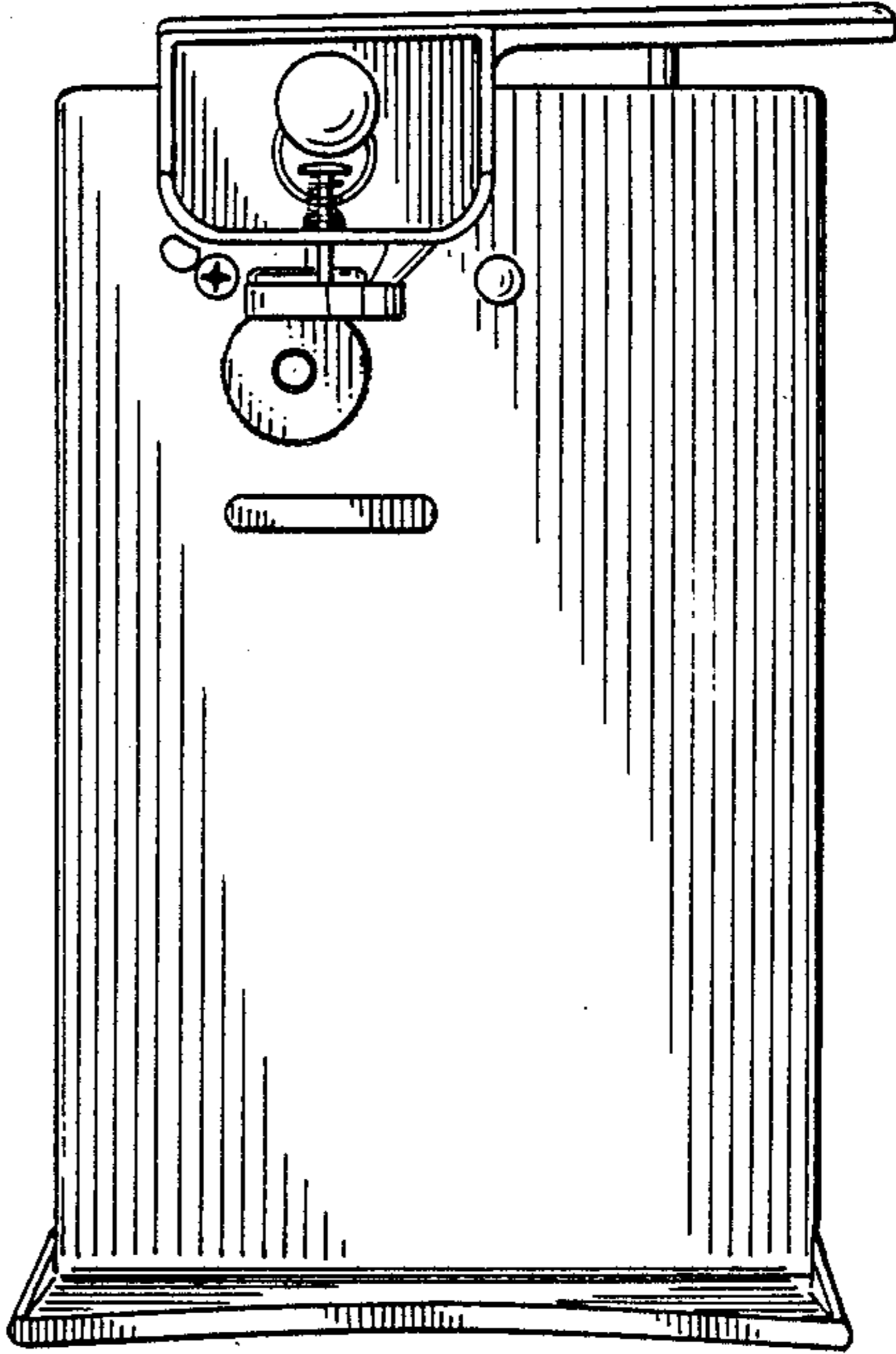


FIG.-5

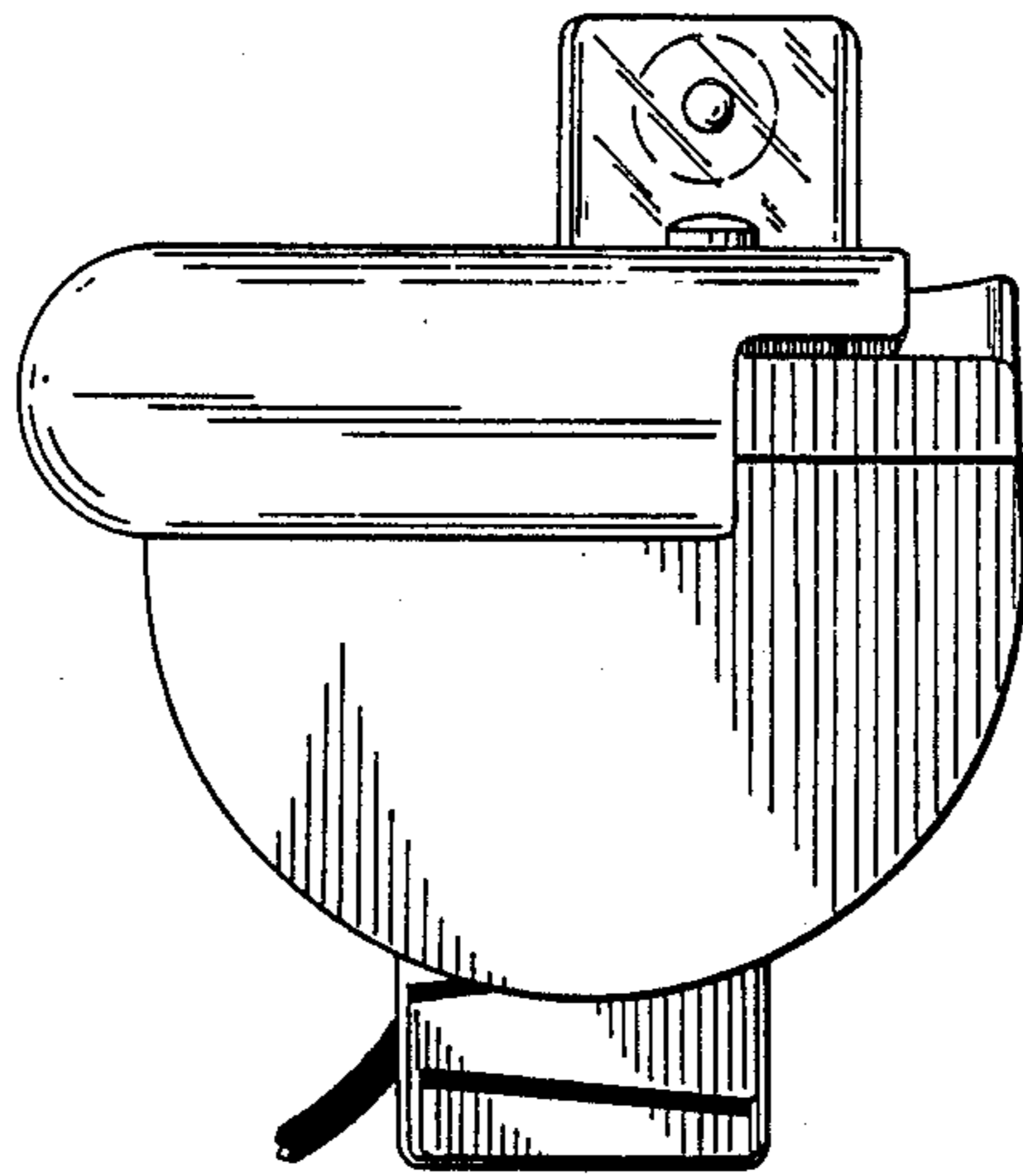


FIG.-7

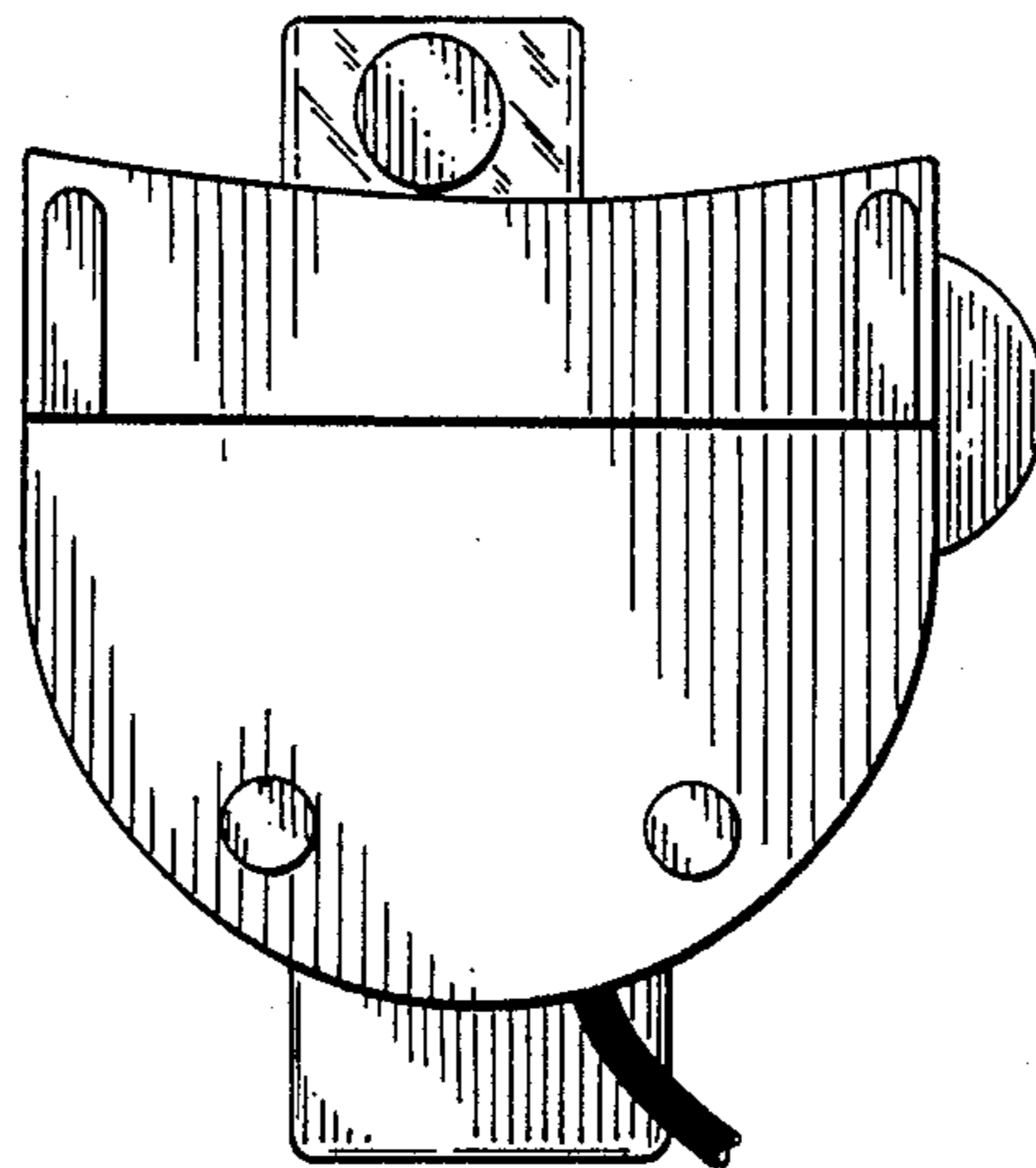


FIG.-8