

[54] MIXER

[75] Inventor: Jan F. van Asten, Leek, Netherlands

[73] Assignee: U.S. Philips Corporation, New York, N.Y.

[\*\*] Term: 14 Years

[21] Appl. No.: 884,922

[22] Filed: Jul. 10, 1986

[30] Foreign Application Priority Data

Jan. 17, 1986 [XB] Benelux ..... 60733-01

[52] U.S. Cl. .... D7/379; D8/68

[58] Field of Search ..... D7/368-374, D7/376-384, 386, 412-415, 139; D8/68

[56] References Cited

U.S. PATENT DOCUMENTS

- D. 175,263 8/1955 Lambert ..... D7/379
- D. 203,761 2/1966 Frost ..... D7/379
- D. 263,671 4/1982 Chan ..... D7/379

- D. 277,923 3/1985 Kafka ..... D7/379
- D. 288,892 3/1987 Osit ..... D7/376 X

OTHER PUBLICATIONS

*Gifts and Decorative Accessories*, Apr., 1979, p. 76, top row—center panel, Kenwood Hand Held Battery Operated Whisk.

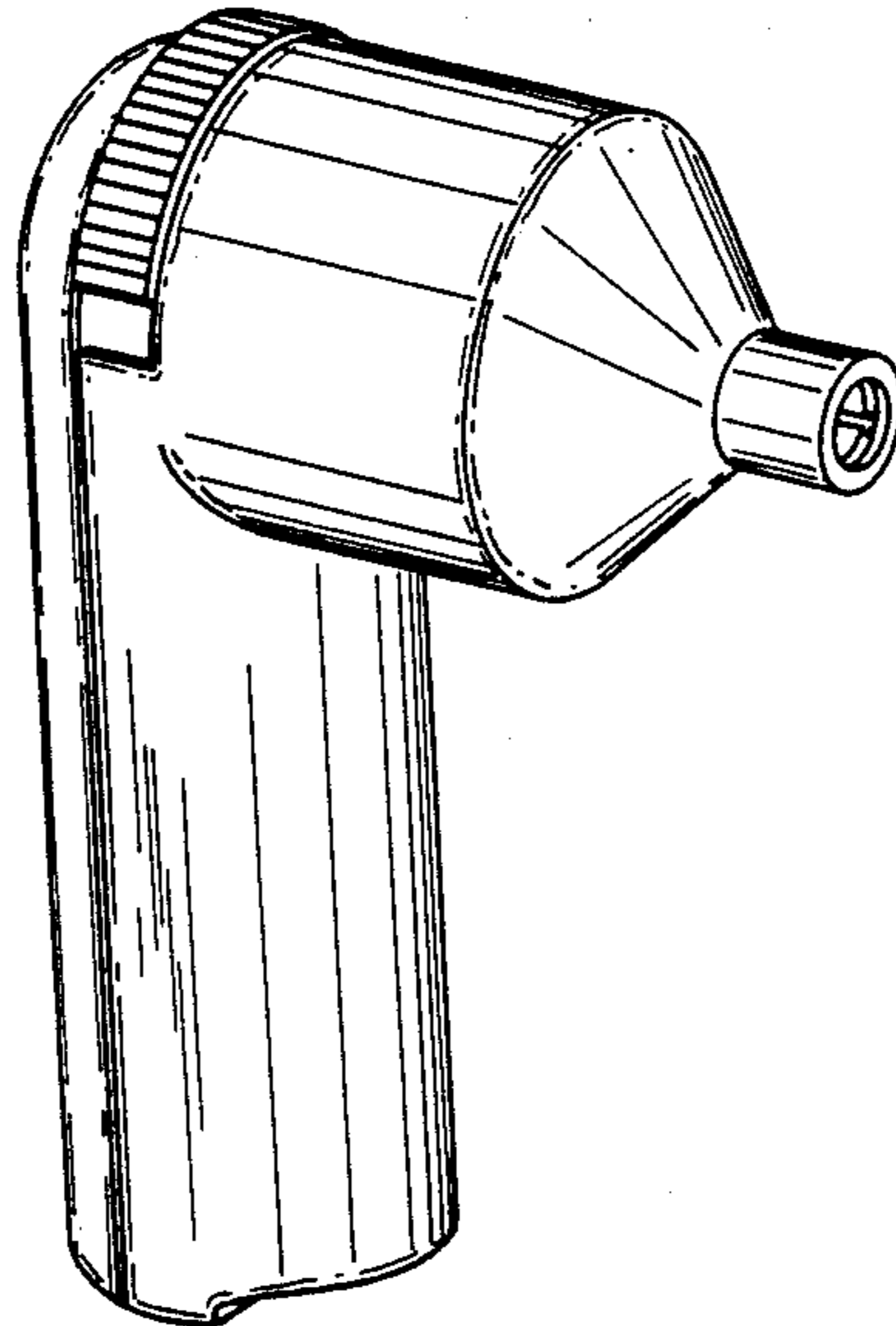
*Primary Examiner*—Winifred E. Herrmann  
*Assistant Examiner*—John Warchol

[57] CLAIM

The ornamental design for a mixer, as shown.

DESCRIPTION

FIG. 1 is a front top and left side perspective view of a mixer showing my new design;  
 FIG. 2 is a left side elevational view thereof;  
 FIG. 3 is a right side elevational view thereof;  
 FIG. 4 is a front elevational view thereof;  
 FIG. 5 is a rear elevational view thereof;  
 FIG. 6 is a top plan view thereof; and  
 FIG. 7 is a bottom plan view thereof.



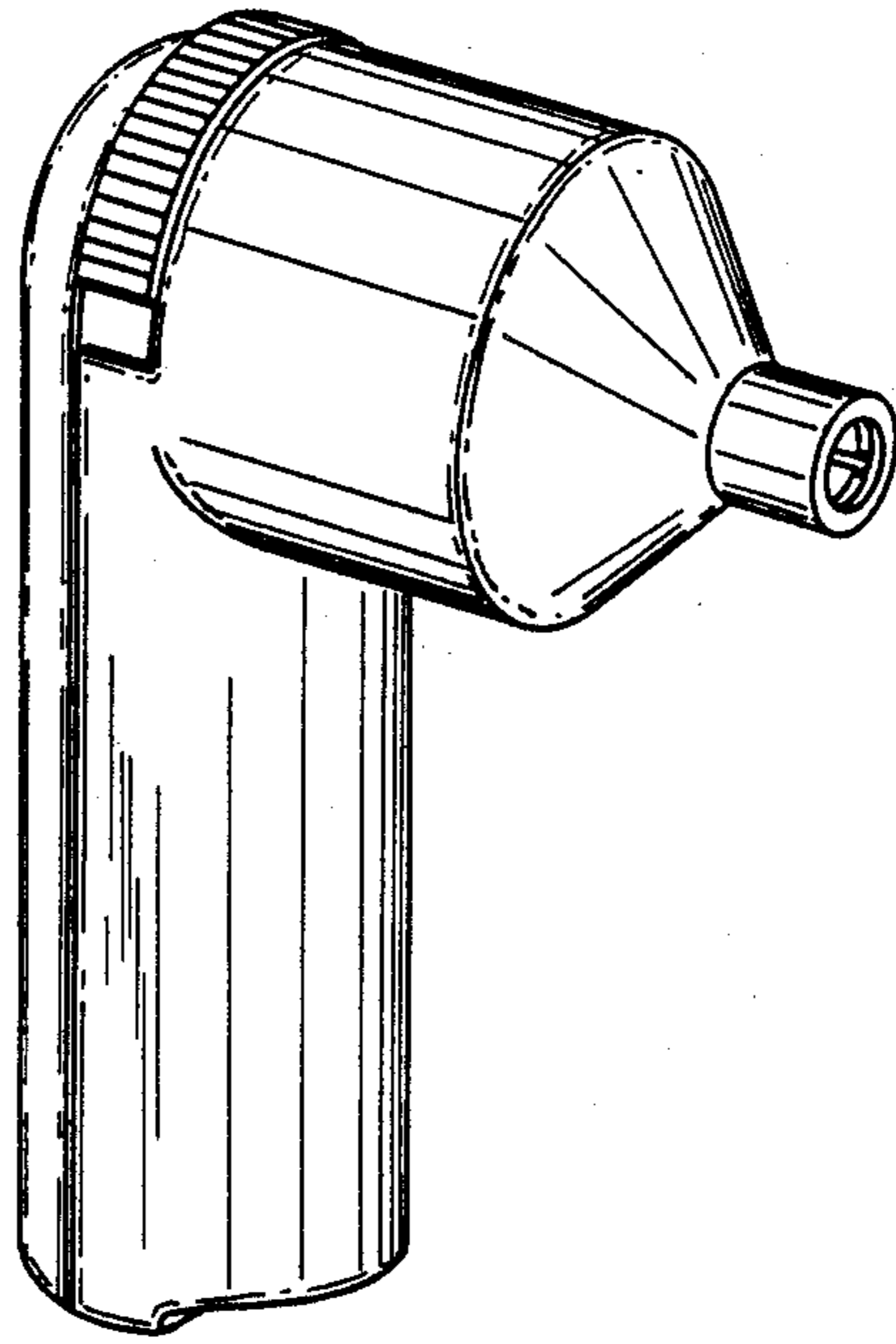


FIG. 1

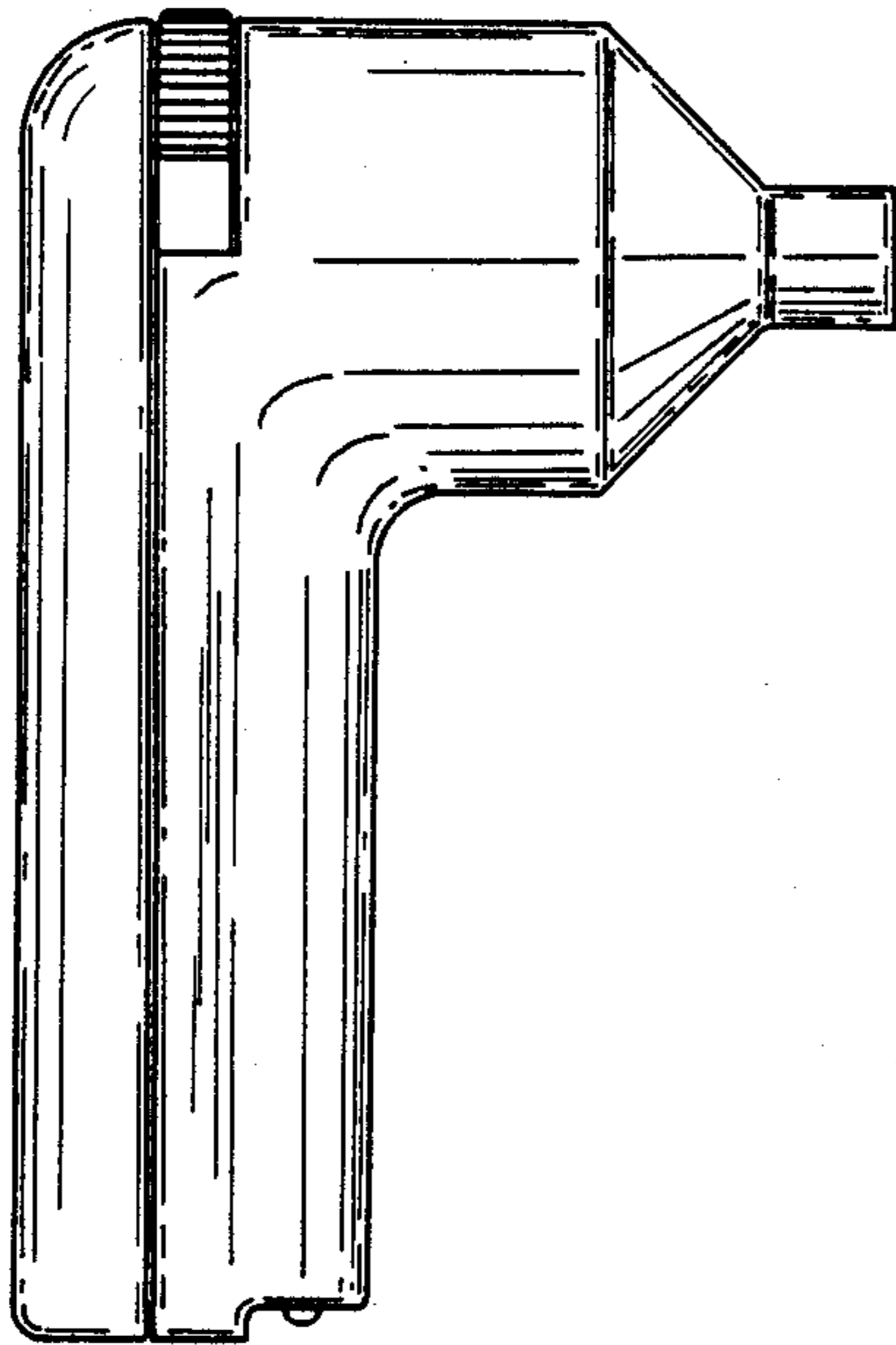


FIG. 2

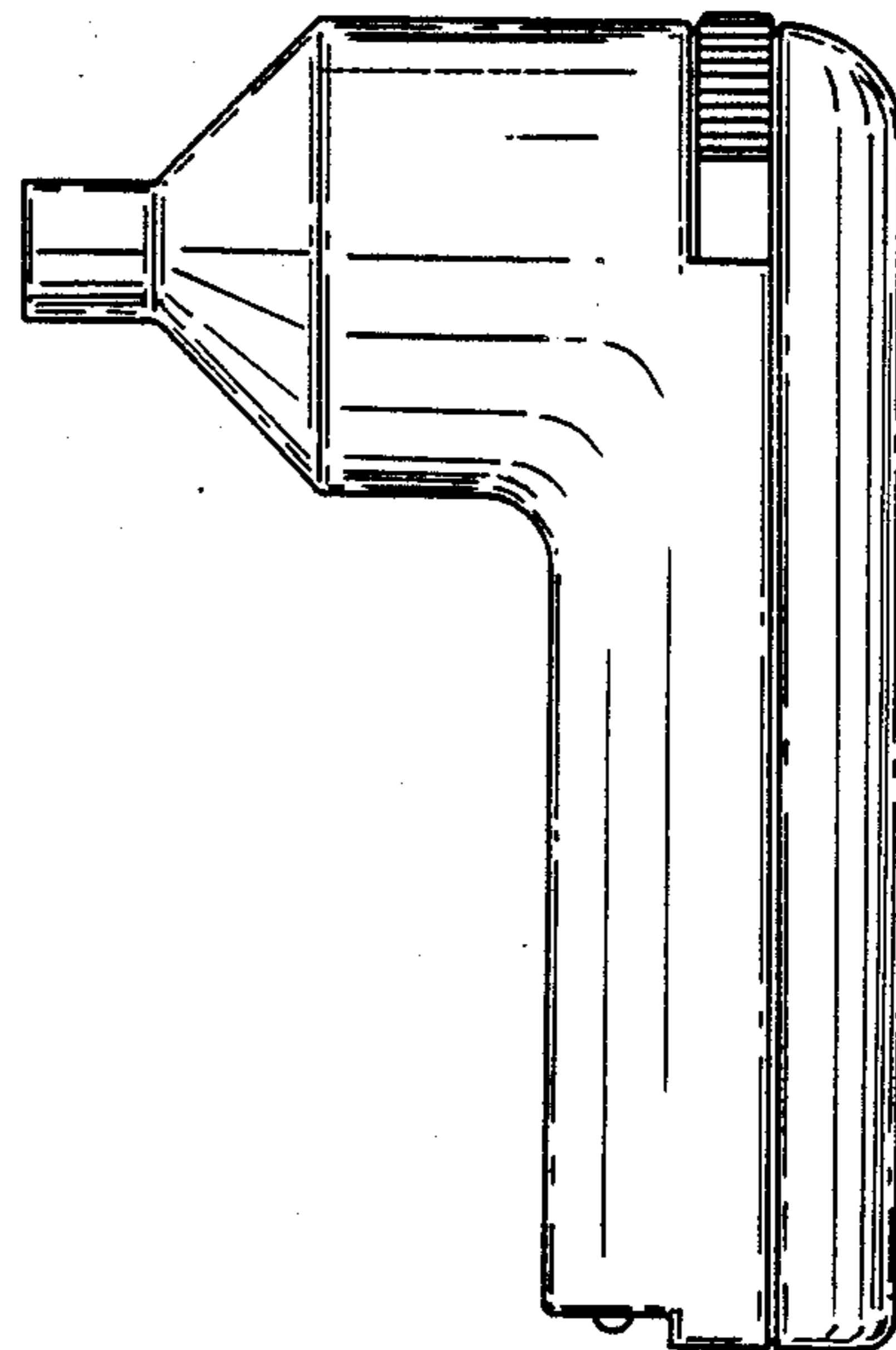


FIG. 3

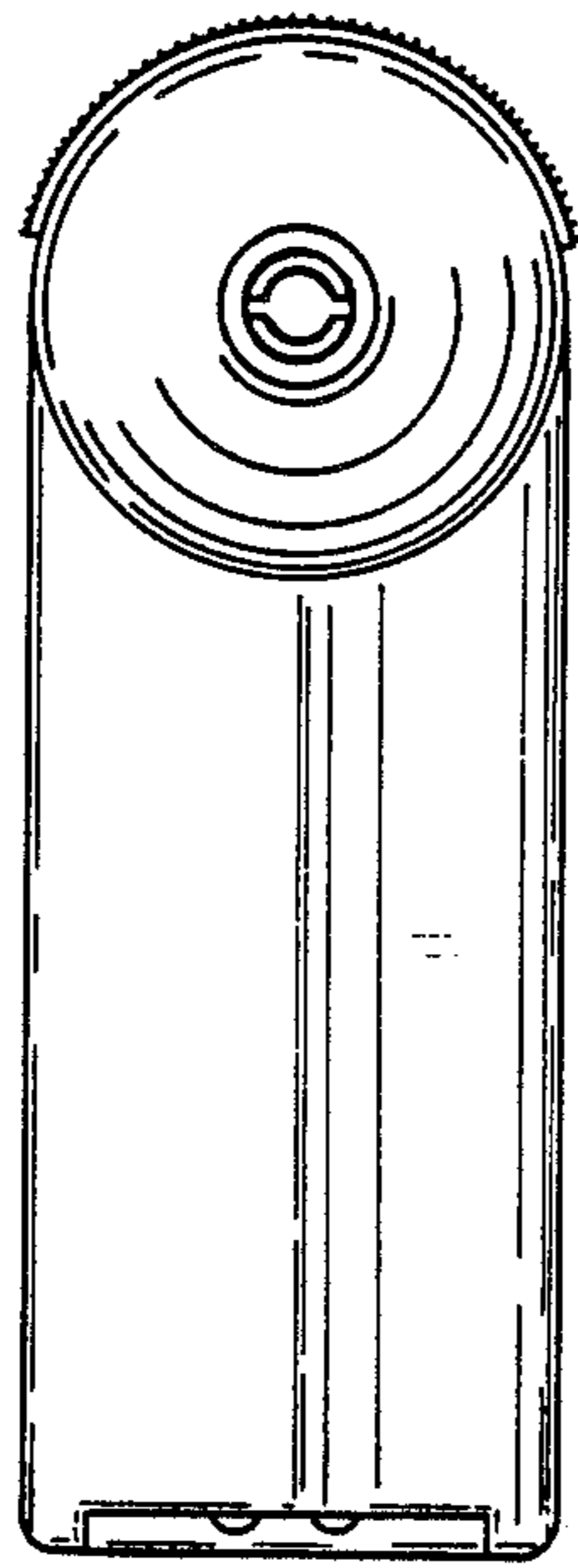


FIG. 4

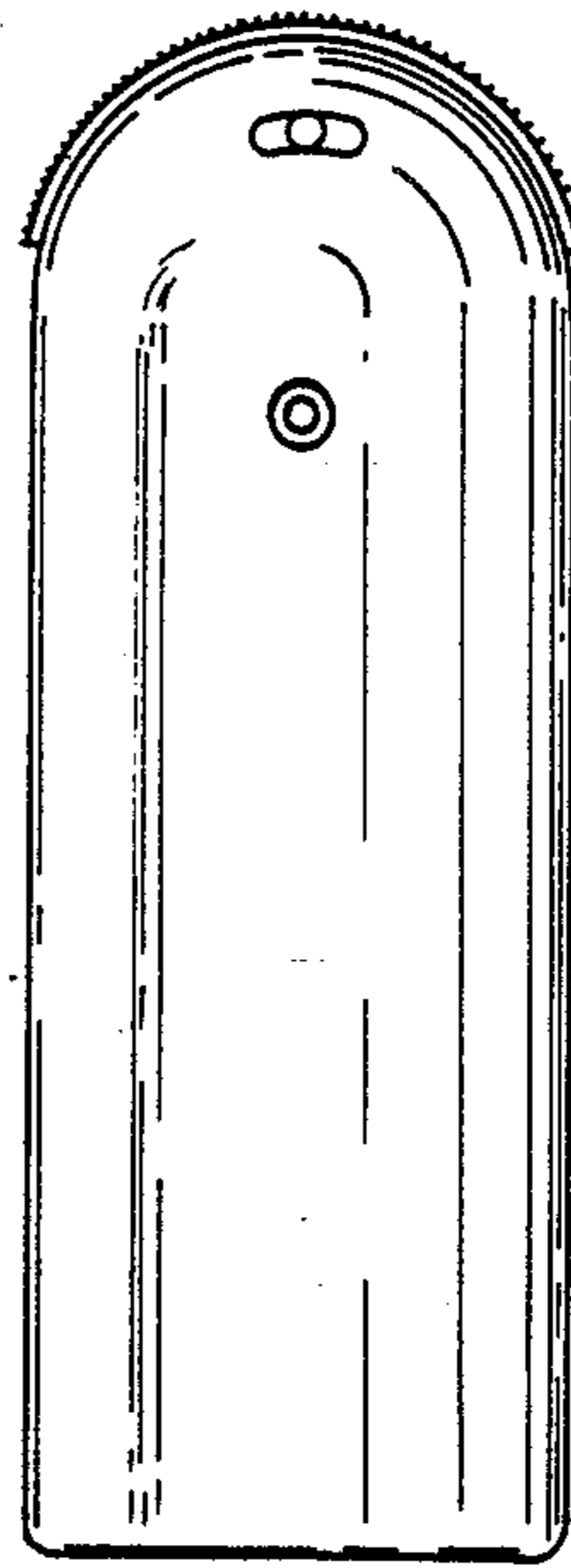


FIG. 5

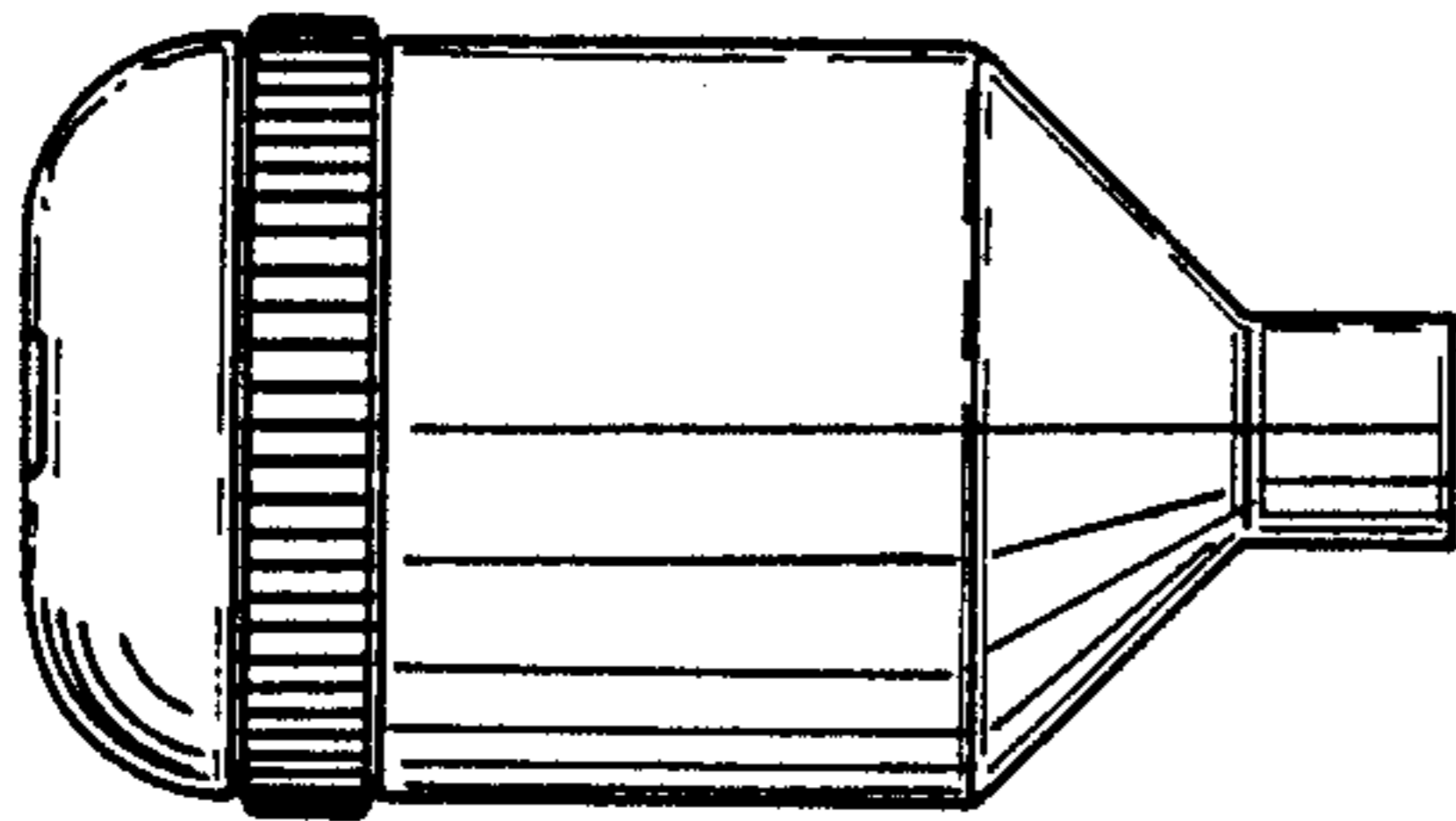


FIG. 6

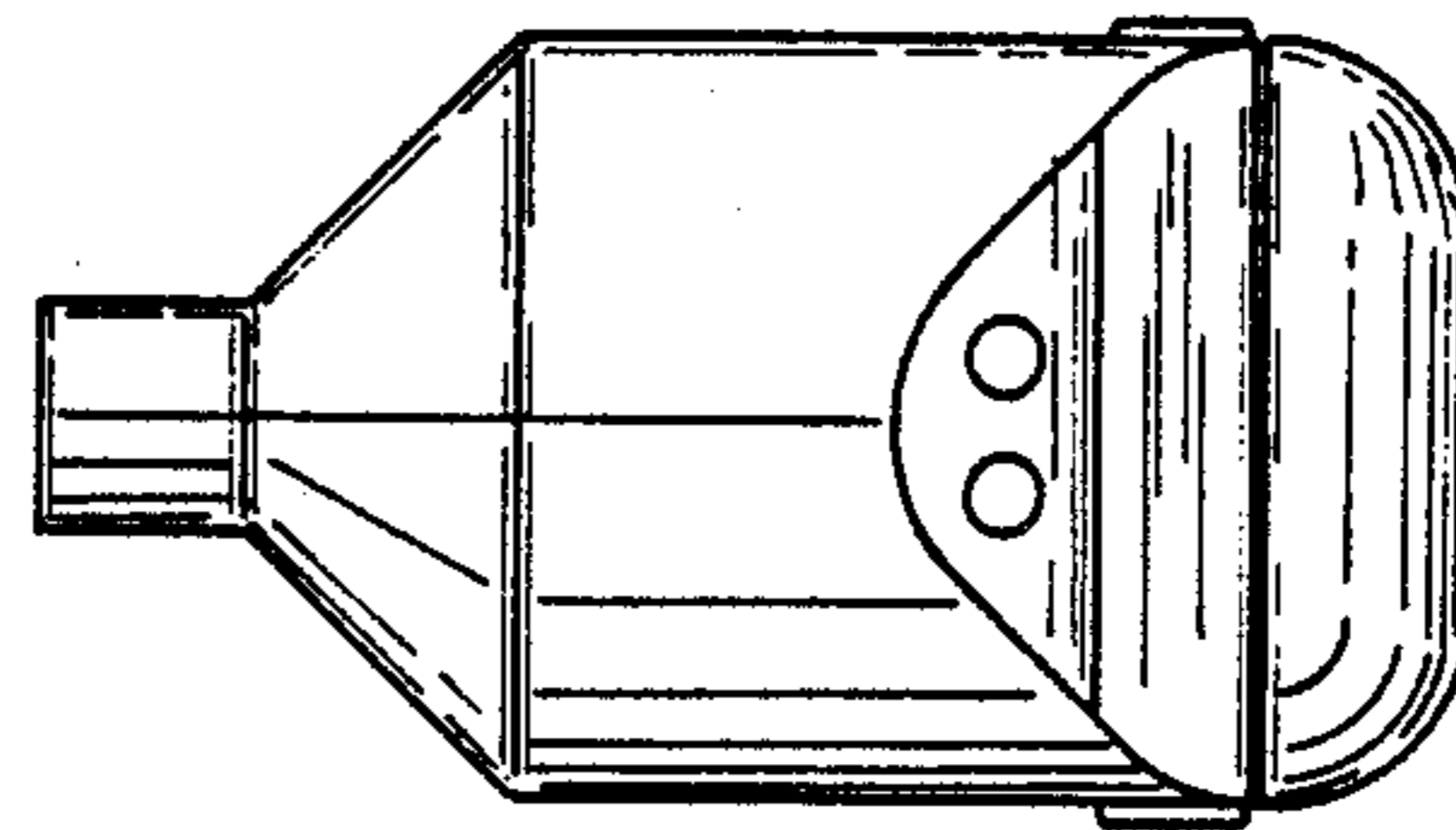


FIG. 7