

[54] TOASTER

[76] Inventor: Brunhilde Lauer, Koppelgasse 5, 3573 Gemuenden, Fed. Rep. of Germany

[\*\*] Term: 14 Years

[21] Appl. No.: 138,030

[22] Filed: Dec. 28, 1987

[52] U.S. Cl. .... D7/328

[58] Field of Search ..... D7/323, 328, 329, 330, D7/350, 390; 99/329 RT, 331, 332, 334, 335, 385, 389, 391, 401, 326, 327

[56] References Cited

U.S. PATENT DOCUMENTS

1,108,552	8/1914	Copeman	99/401 X
1,455,190	5/1923	Dodge, Jr.	D7/328 X
1,892,117	12/1932	Perkins	99/391 X
2,542,406	2/1951	Flajole	99/335 X

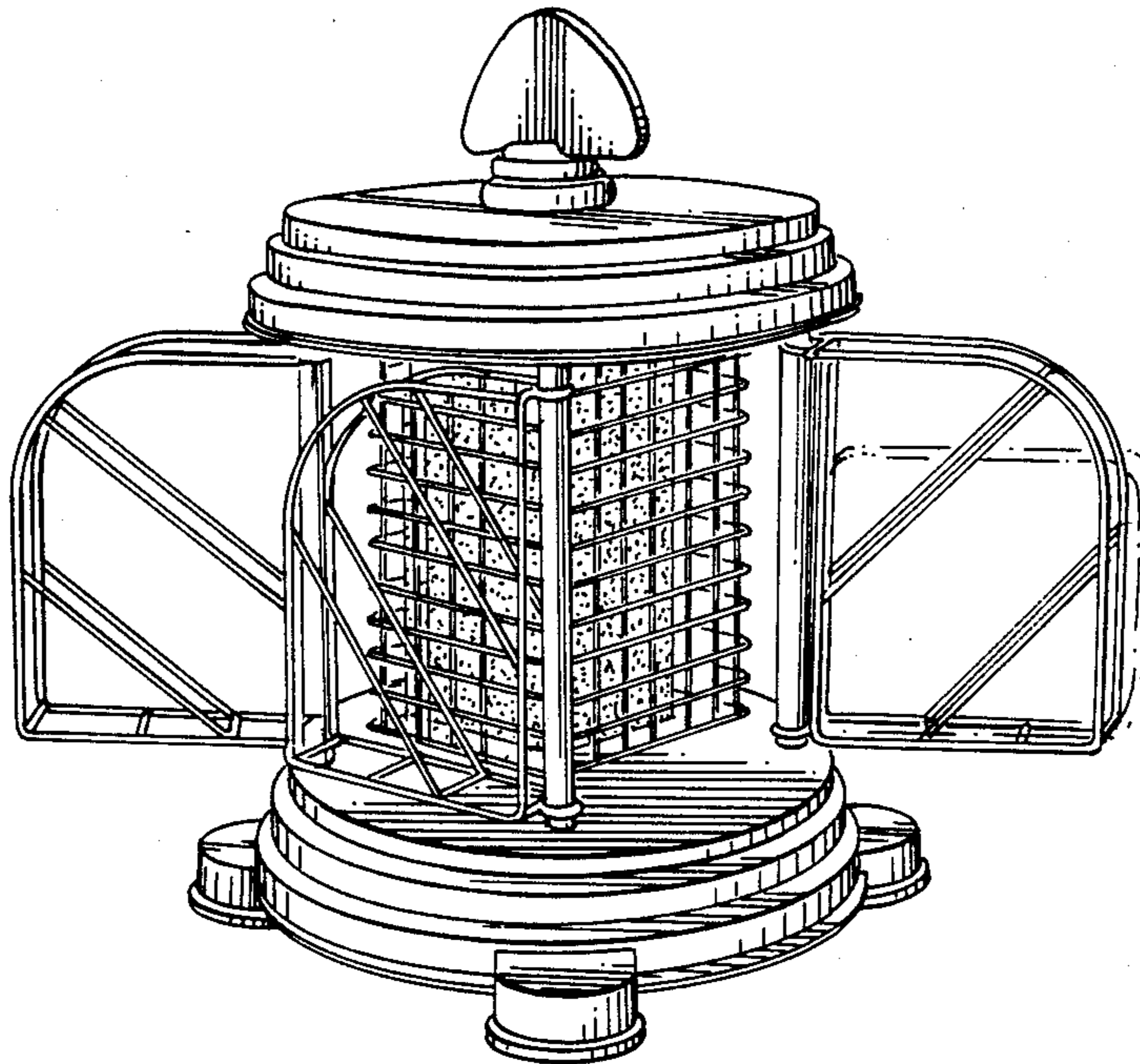
Primary Examiner—Winifred E. Herrmann  
Assistant Examiner—John Warchol  
Attorney, Agent, or Firm—Harry M. Weiss

[57] CLAIM

The ornamental design for a toaster, as shown and described.

DESCRIPTION

FIG. 1 is a top and side perspective view of a toaster showing my new design, with two of the four swinging racks being shown in the open position; FIG. 2 is a top plan view thereof with all four racks being shown in the open position; FIG. 3 is a bottom plan view thereof with all four racks being shown in a closed position; and FIG. 4 is a side elevational view thereof on an enlarged scale with the racks being shown in the open position, it is understood that the four sides of the toaster are identical except for the top ornament.



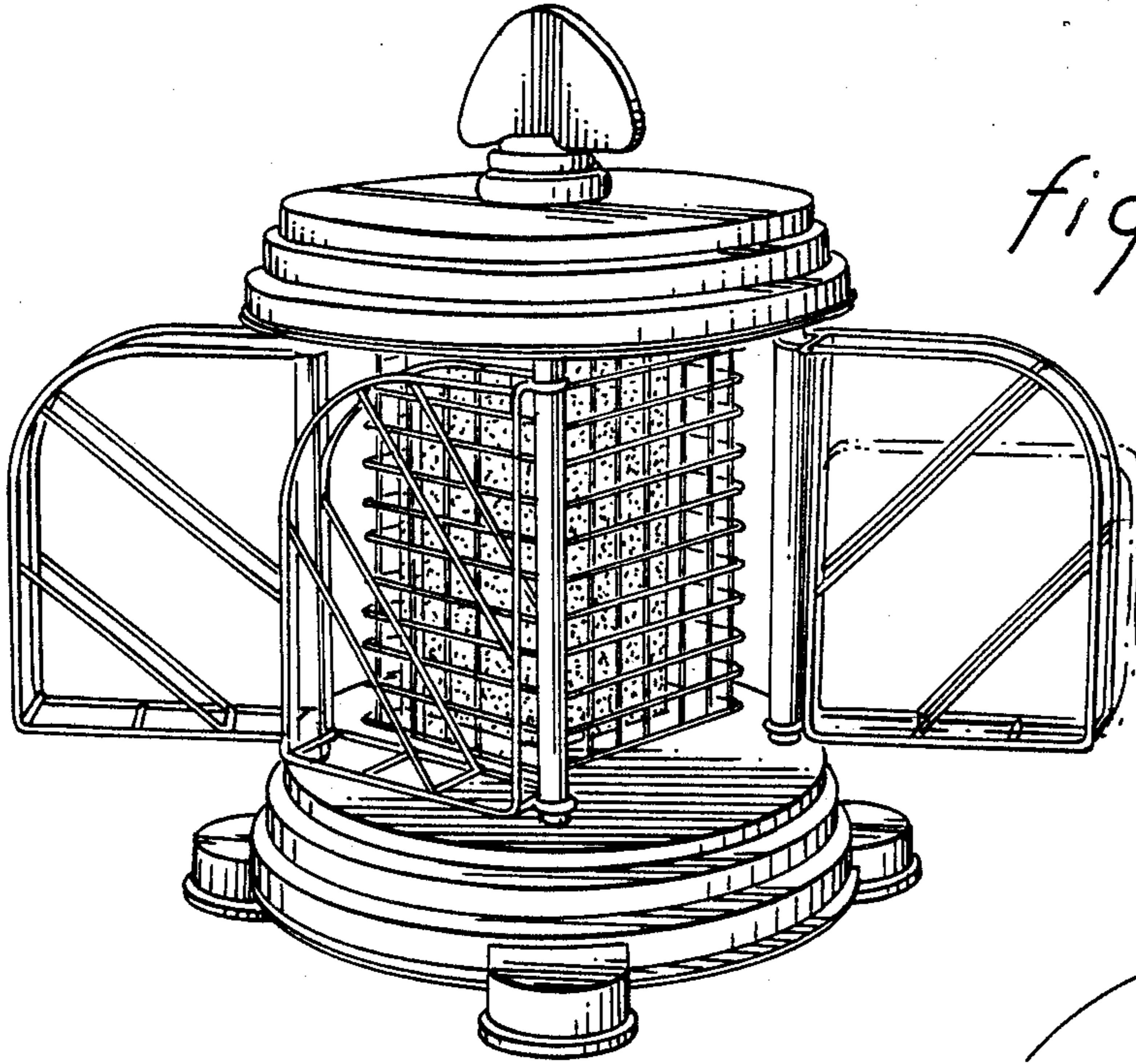


fig. 1

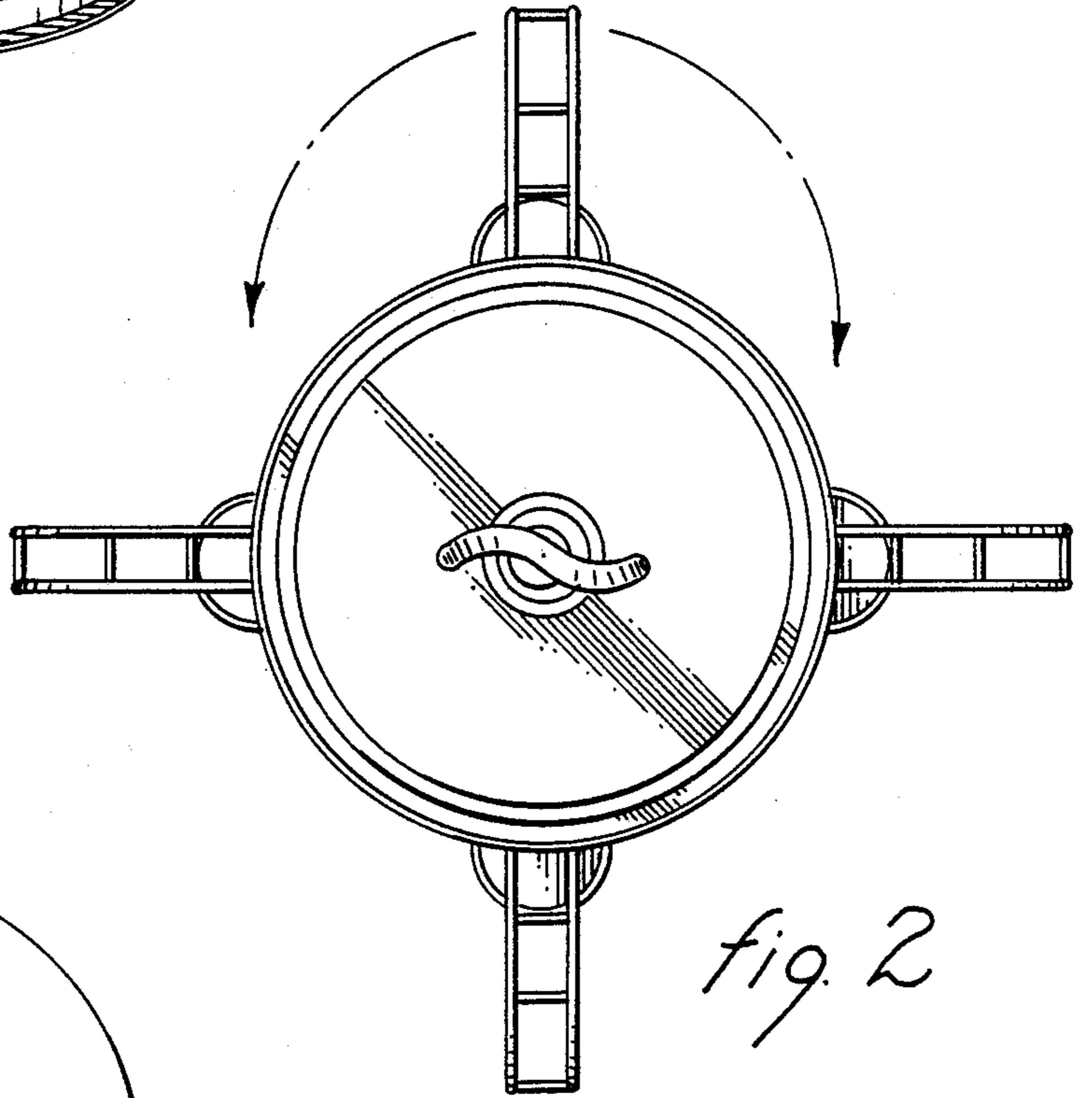


fig. 2

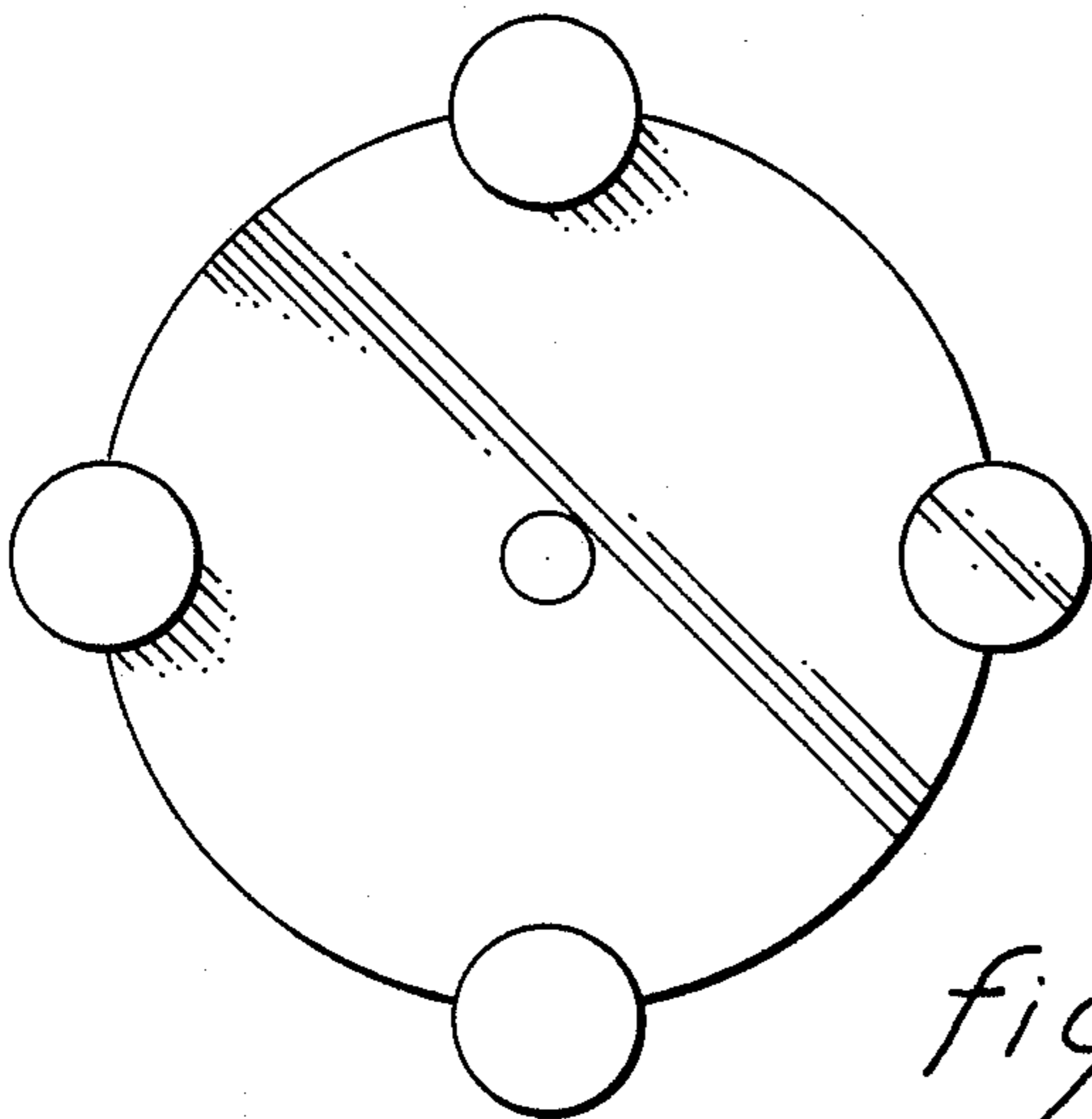
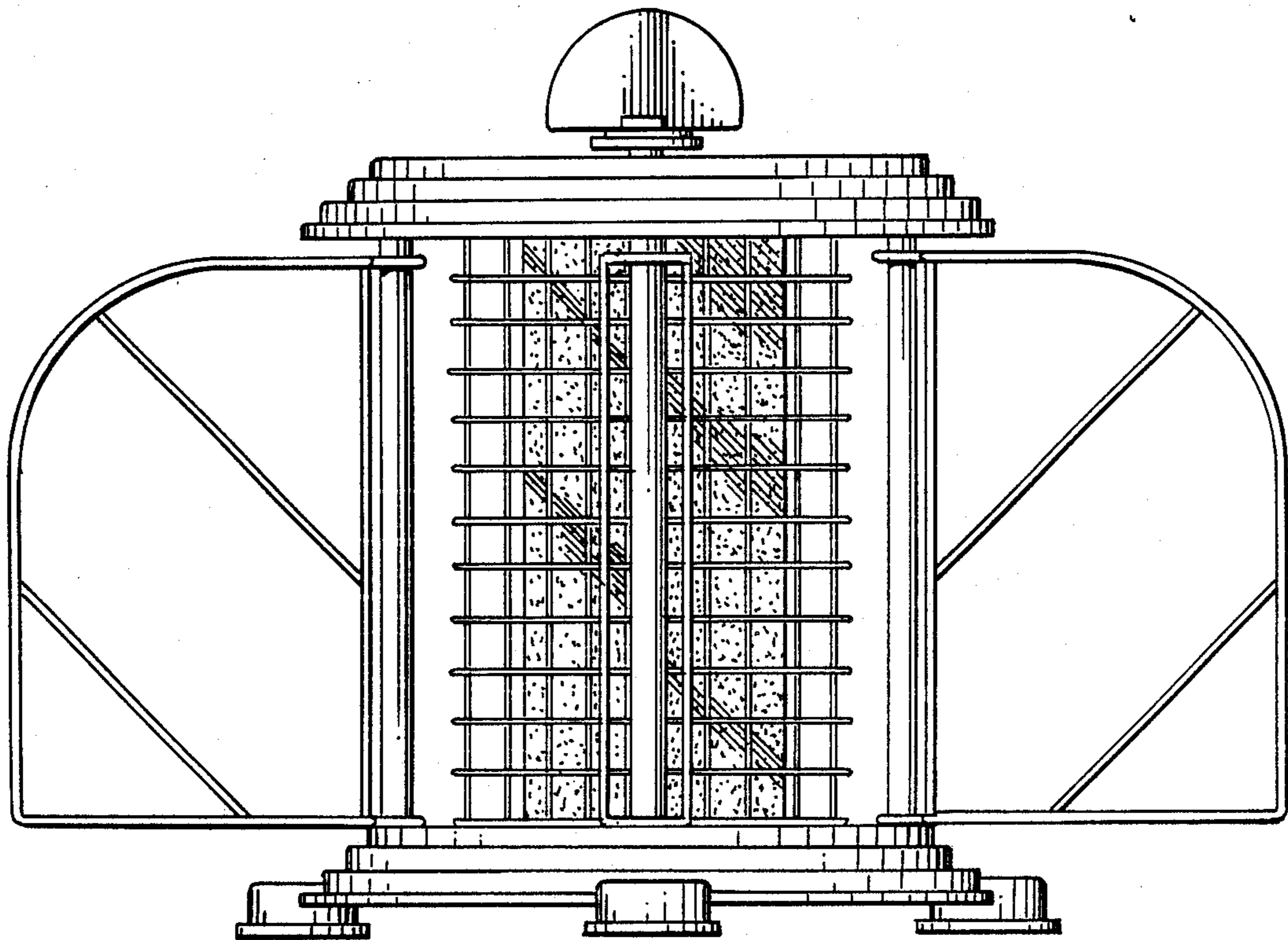


fig. 3



*fig. 4*