

[54] WAFFLE IRON

3,999,473 12/1976 Carbon D7/352 X
4,075,940 2/1978 Carbon D7/352 X

[76] Inventor: George Tzouflas, 38-15 10th St.,
Long Island City, N.Y. 11101

Primary Examiner—Winifred E. Herrmann
Attorney, Agent, or Firm—Stephen E. Feldman

[**] Term: 14 Years

[21] Appl. No.: 847,587

[57] CLAIM

[22] Filed: Mar. 31, 1986

The ornamental design for a waffle iron, as shown and described.

[52] U.S. Cl. D7/352

[58] Field of Search D7/357, 352, 353, 323,
D7/327, 410

DESCRIPTION

[56] References Cited

U.S. PATENT DOCUMENTS

- D. 105,087 6/1937 Briegel D7/352
- D. 247,763 4/1978 Carbon D7/352
- D. 247,764 4/1978 Carbon D7/352
- D. 253,217 10/1979 Marsoobian D7/353

FIG. 1 is a perspective view of a waffle iron showing my new design;
FIG. 2 is a top plan view thereof;
FIG. 3 is a right side perspective view thereof;
FIG. 4 is a front elevational view thereof; and
FIG. 5 is a rear elevational view thereof.
The side opposite that shown in FIGS. 1 and 3 is a mirror image thereof, and the bottom is unornamented.

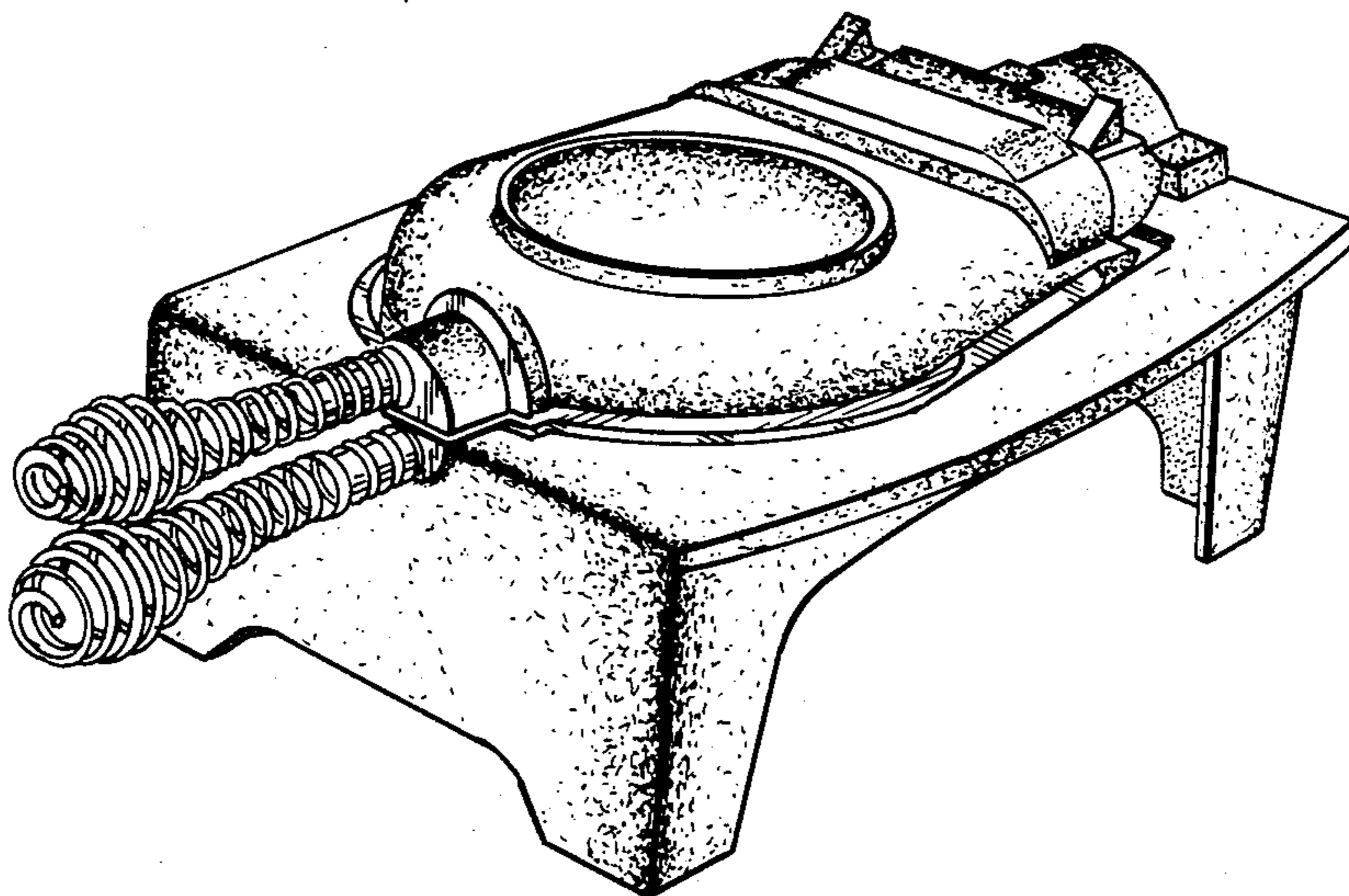


FIG. 1

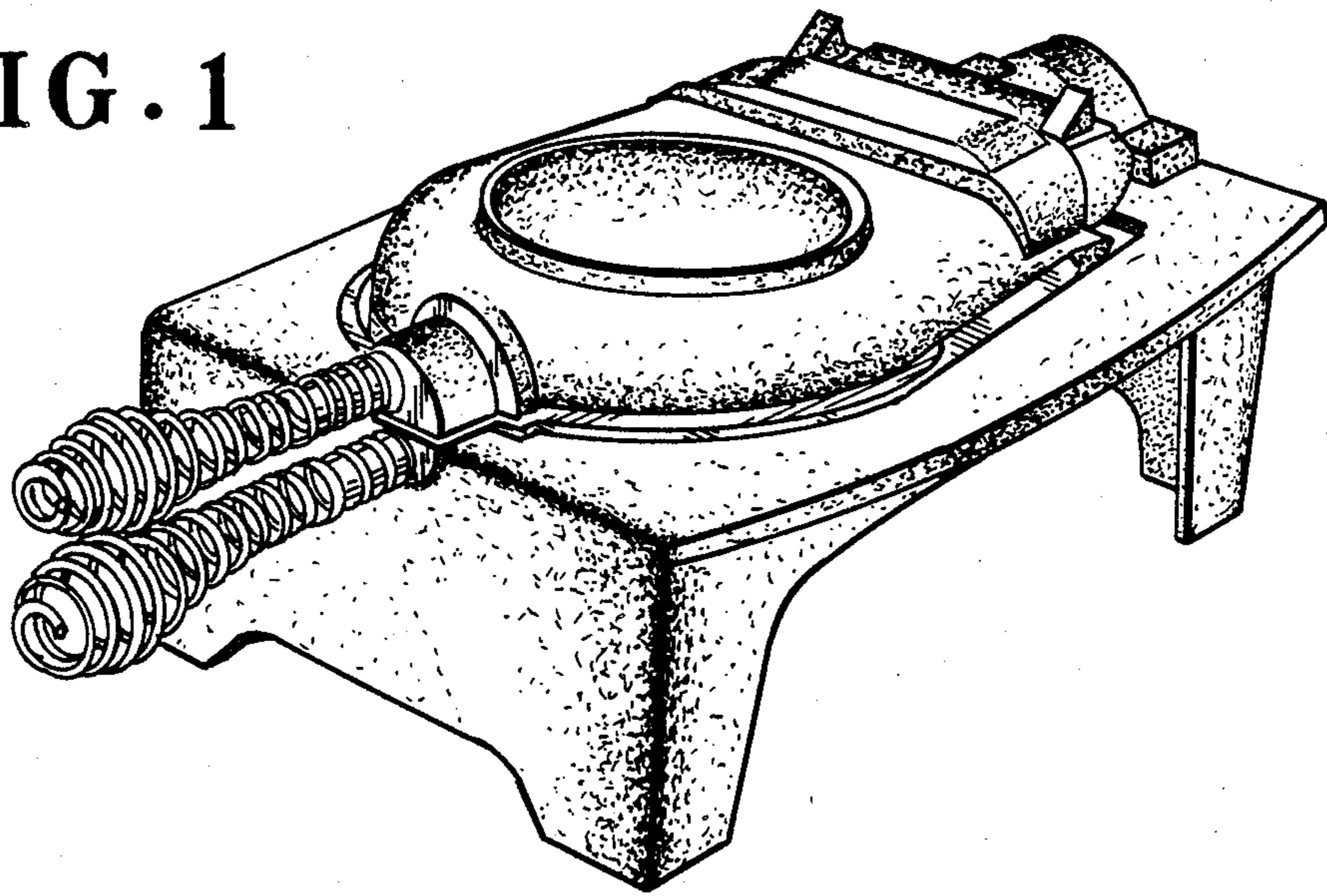


FIG. 2

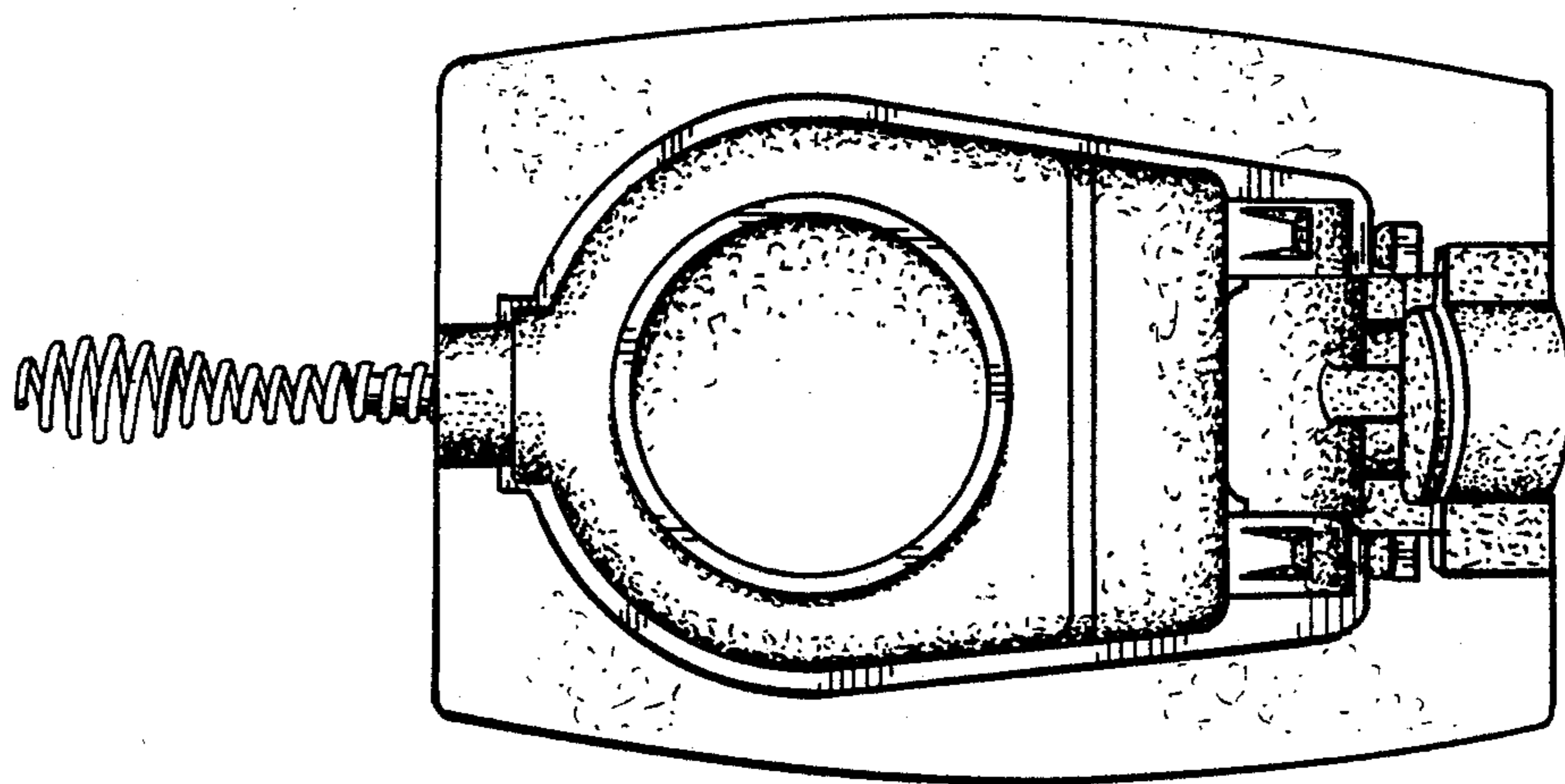


FIG. 3

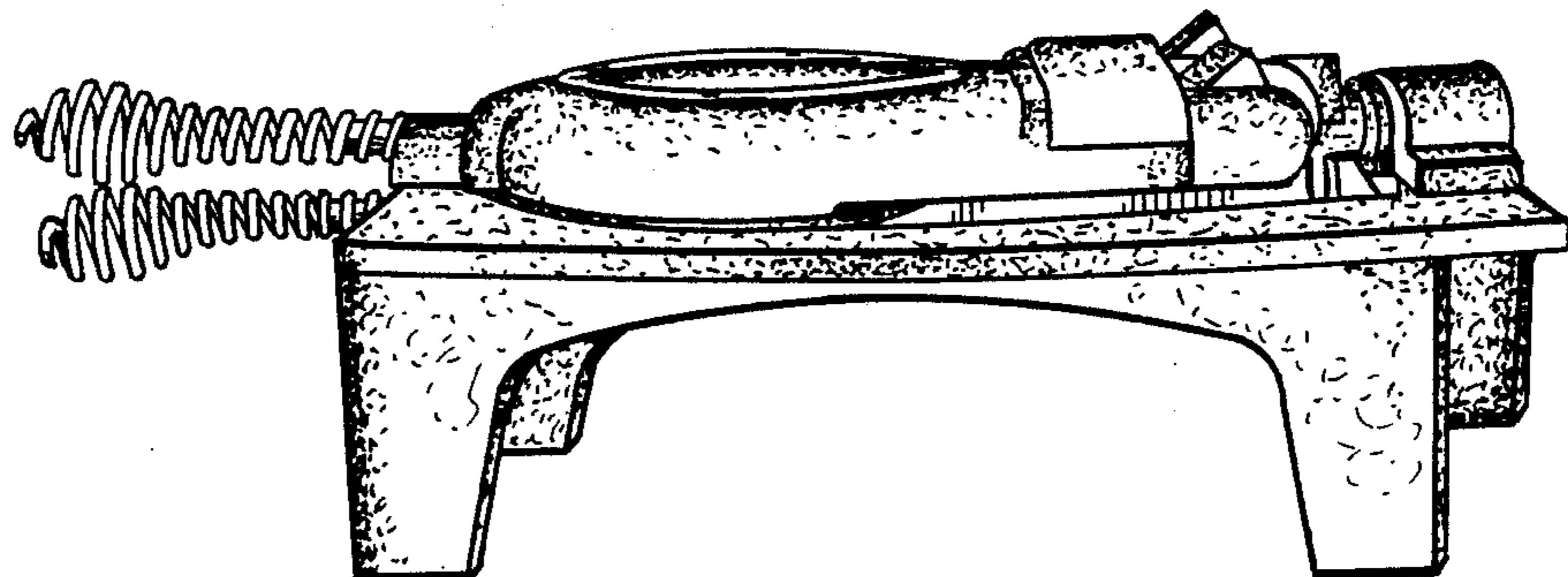


FIG. 4

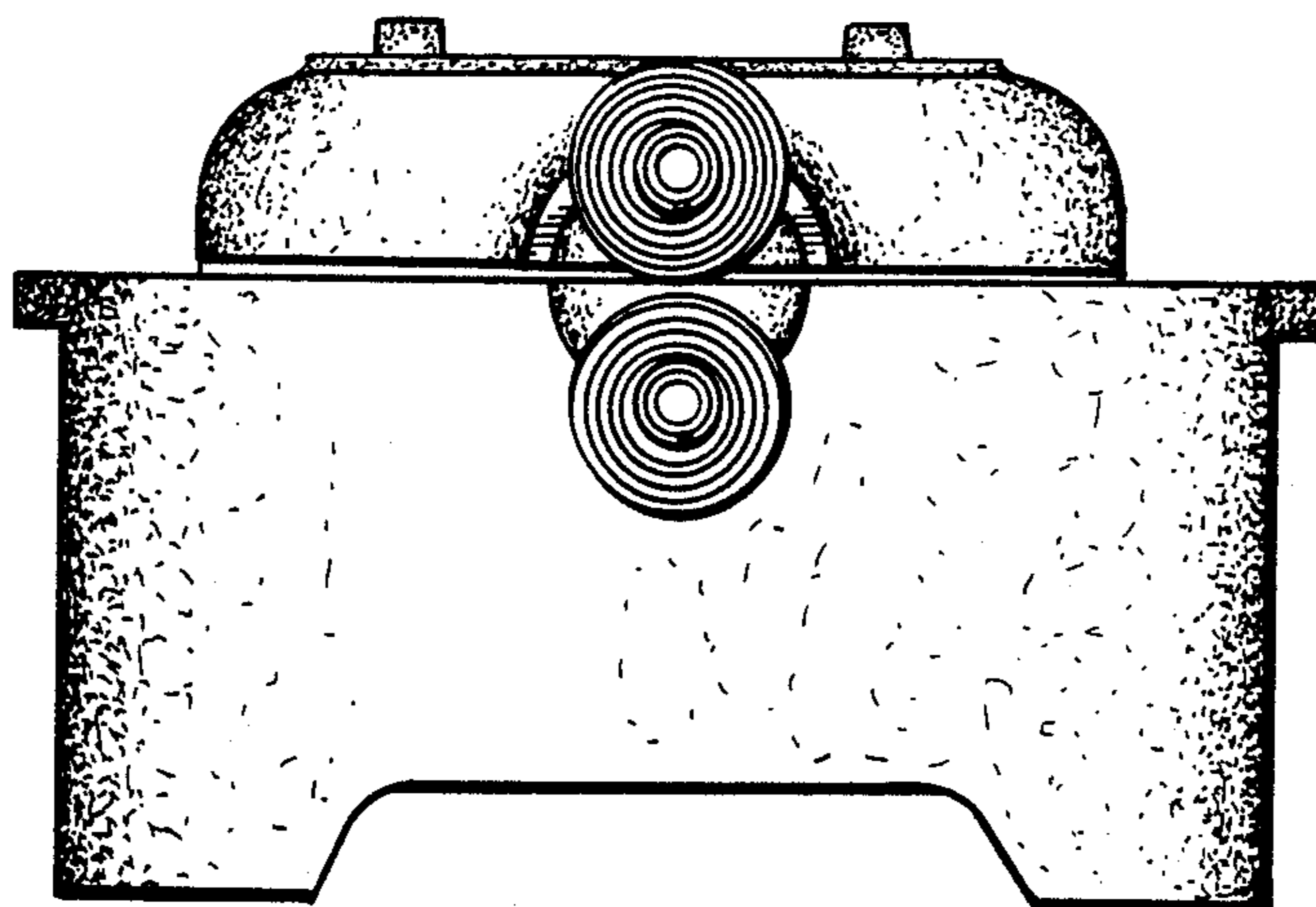


FIG. 5

