

[54] **MAGNETIC-MOUNT SMALL ARTICLE HOLDER**

[75] Inventor: **Stephen T. Meyer, Carmel, Ind.**

[73] Assignee: **Deflecto Corporation, Indianapolis, Ind.**

[**] Term: **14 Years**

[21] Appl. No.: **939,014**

[22] Filed: **Dec. 8, 1986**

[52] U.S. Cl. **D6/567**

[58] Field of Search **D6/553, 567, 569, 573; 211/13, 16, 35, 40-45, 60.1, 61, 71, 90, 74-75, 126-128; 248/311.2, 314, 243-244, 340, 333; D19/90**

D. 286,600 11/1986 Meyer et al. D6/573
 D. 289,122 4/1987 Meyer et al. D6/573
 2,941,673 6/1960 Lomas 211/90
 3,945,499 3/1976 Brownson 211/88

Primary Examiner—Wallace R. Burke
Assistant Examiner—Brian N. Vinson
Attorney, Agent, or Firm—Woodard, Emhardt, Naughton, Moriarty & McNett

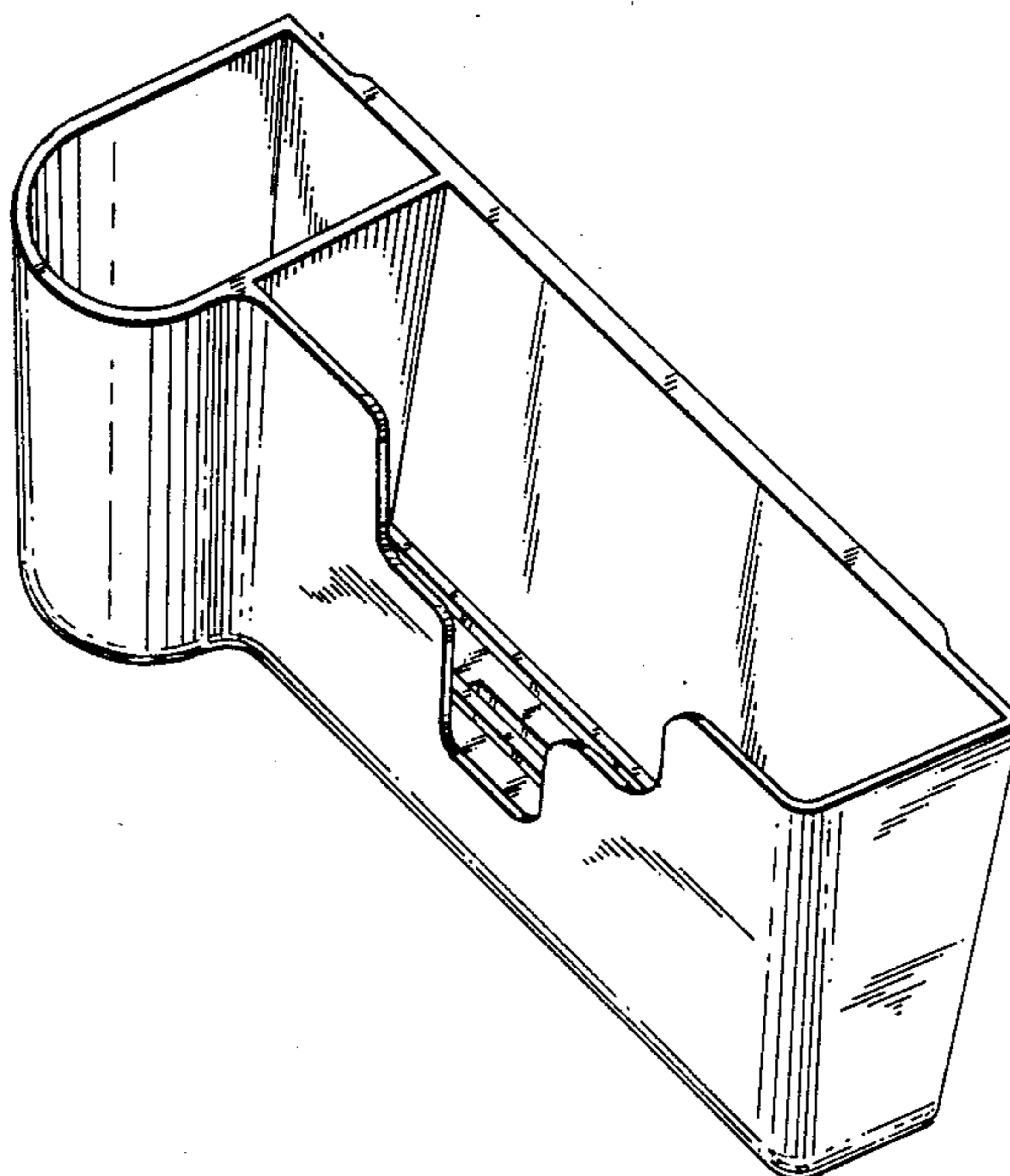
[57] **CLAIM**

The ornamental design for a magnetic-mount small article holder, as shown and described.

DESCRIPTION

FIG. 1 is a front elevational view of a magnetic-mount small article holder showing my new design; FIG. 2 is a right side elevational view thereof; FIG. 3 is a left side elevational view thereof; FIG. 4 is a top plan view thereof; FIG. 5 is a bottom plan view thereof; FIG. 6 is a rear elevational view thereof; and FIG. 7 is a perspective view thereof.

[56] **References Cited**
U.S. PATENT DOCUMENTS
 D. 232,201 7/1974 Hoffman D6/573
 D. 247,327 2/1978 Tracy D6/569 X
 D. 280,466 9/1985 Seltzer et al. D19/90 X



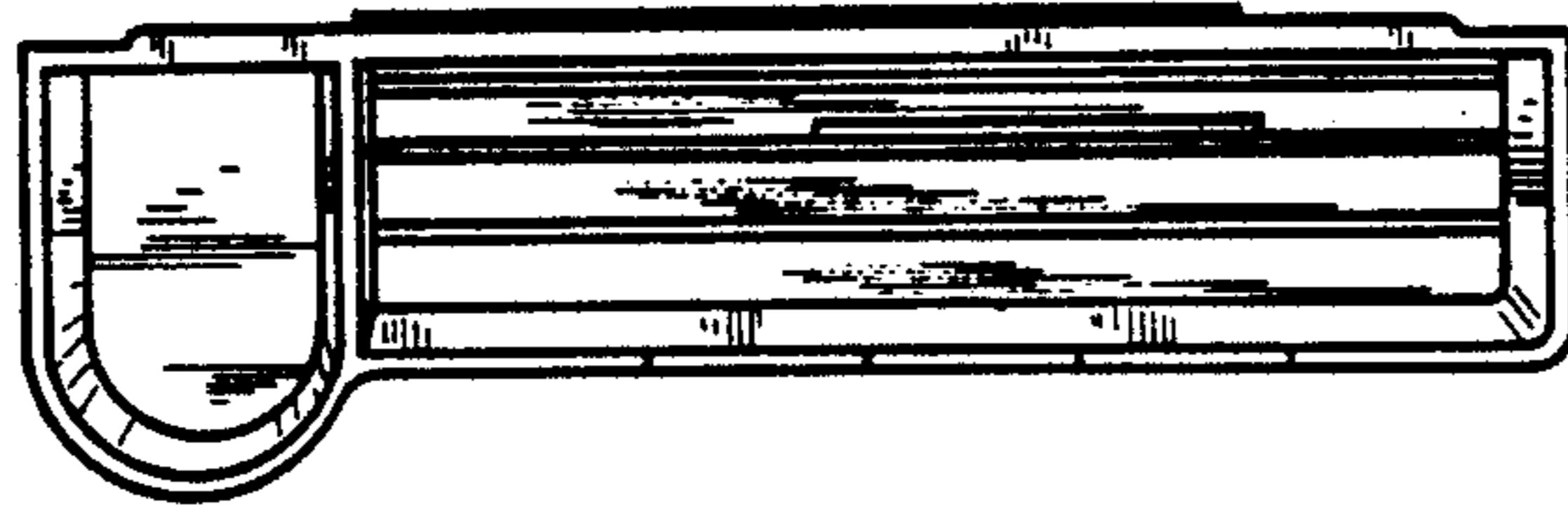


Fig. 4

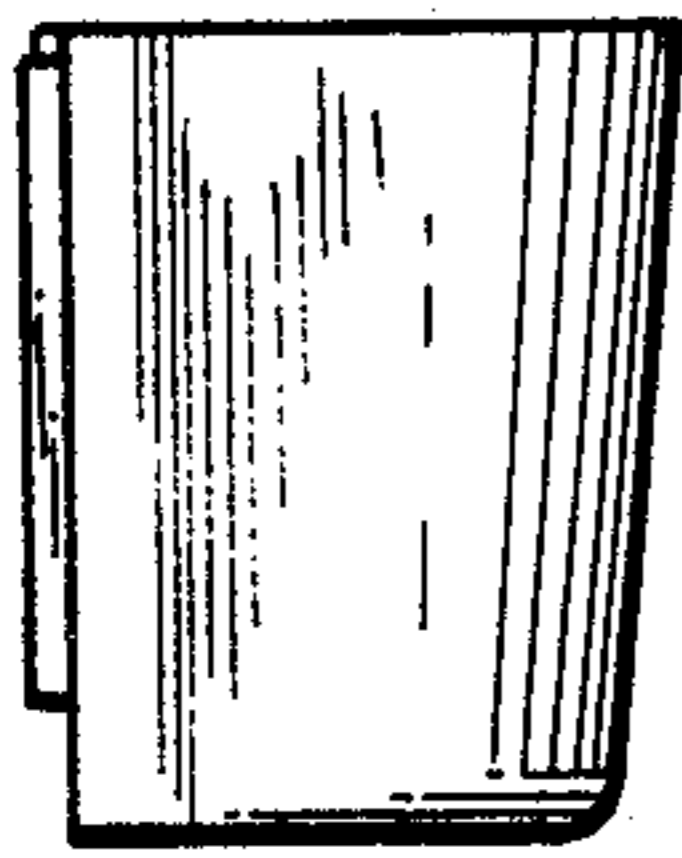


Fig. 3

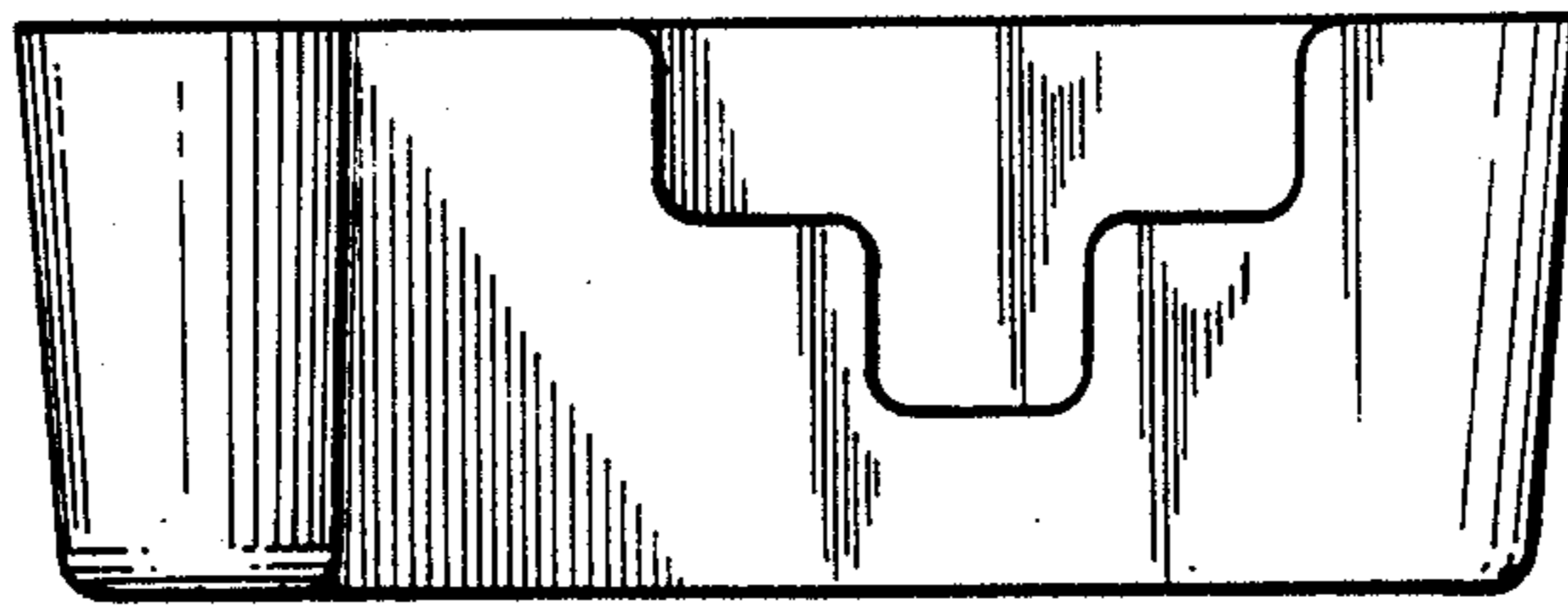


Fig. 1

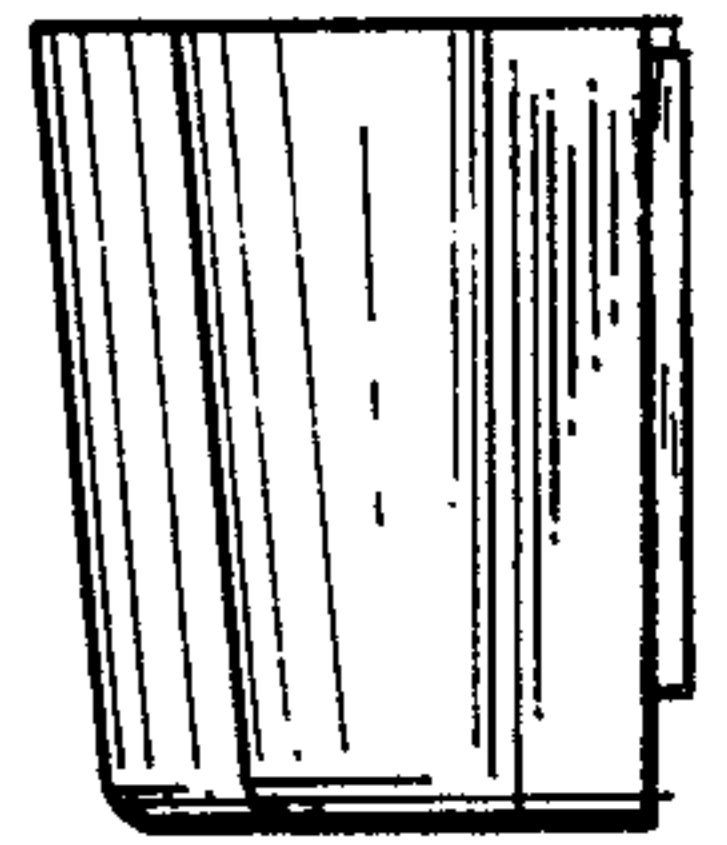


Fig. 2

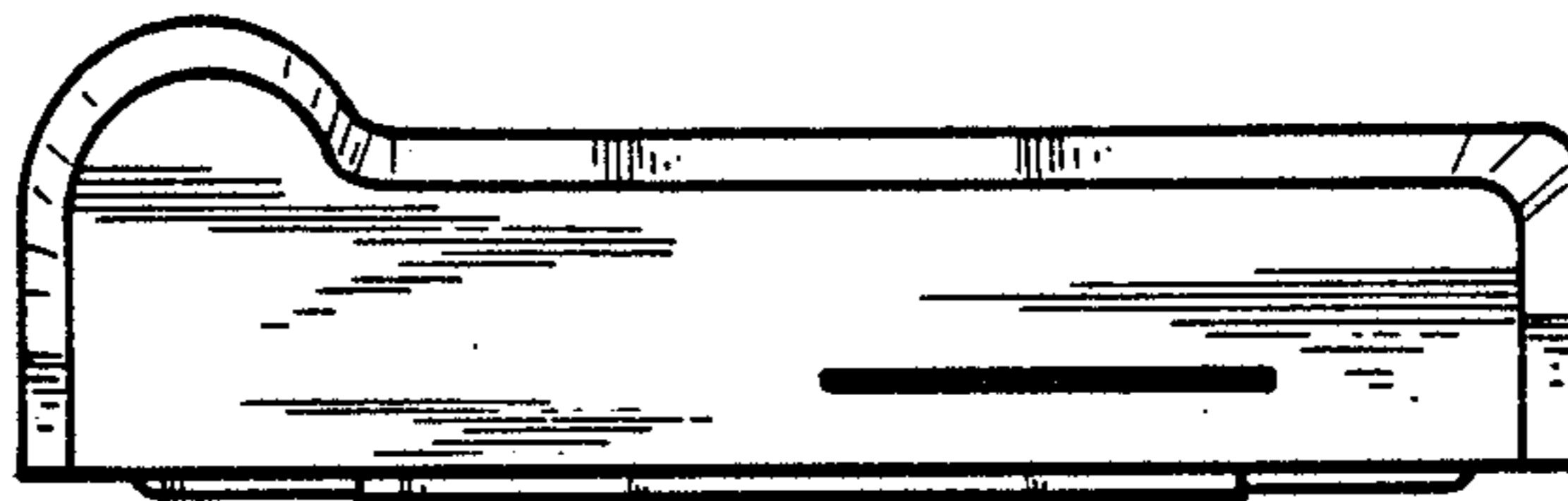


Fig. 5

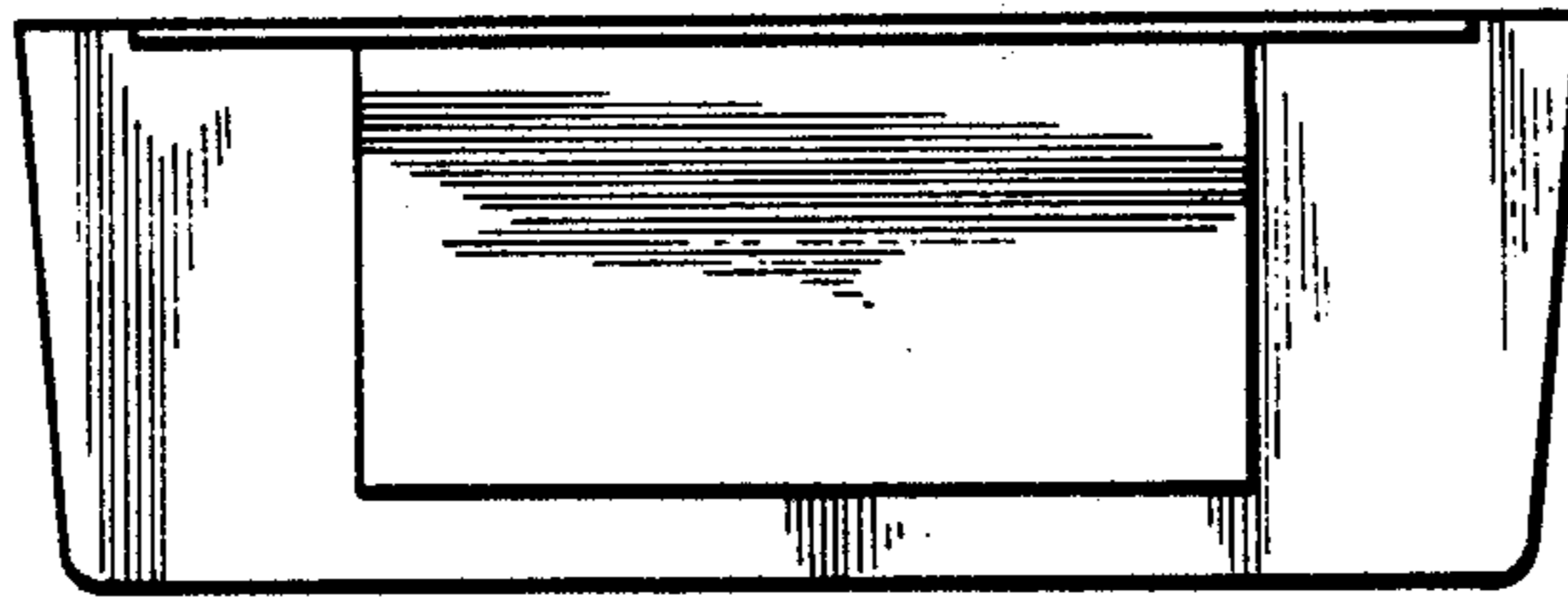


Fig. 6

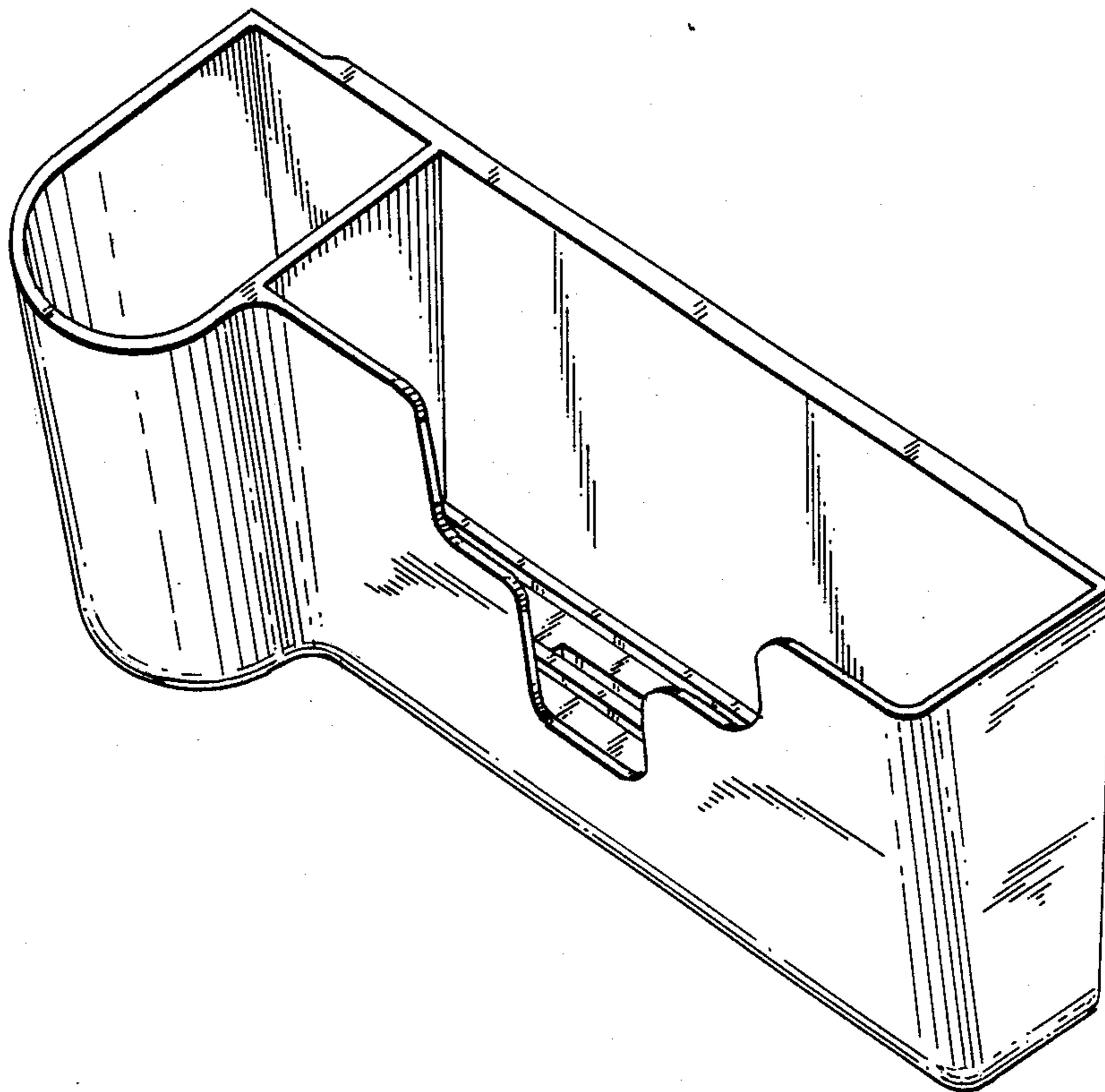


FIG. 7