

[54] WALL MOUNTED DISPLAY CASE

[76] Inventor: Yen Pei-Ai, 5F No. 1, Lane 130, Chaochow St., Taipei, Taiwan

[\*\*] Term: 14 Years

[21] Appl. No.: 19,224

[22] Filed: Feb. 26, 1987

[52] U.S. Cl. .... D6/559; D6/470

[58] Field of Search ..... D6/470, 555, 559, 553, D6/300; 312/114

[56] References Cited

U.S. PATENT DOCUMENTS

- D. 28,710 5/1898 Cooper ..... D6/559
- D. 141,890 7/1945 Mills ..... D6/559
- D. 243,136 1/1977 Foster ..... D6/559
- D. 251,253 3/1979 Brinkman ..... D6/553 X

- D. 287,201 12/1986 Franklin ..... D6/559
- D. 287,800 1/1987 Lance ..... D6/559

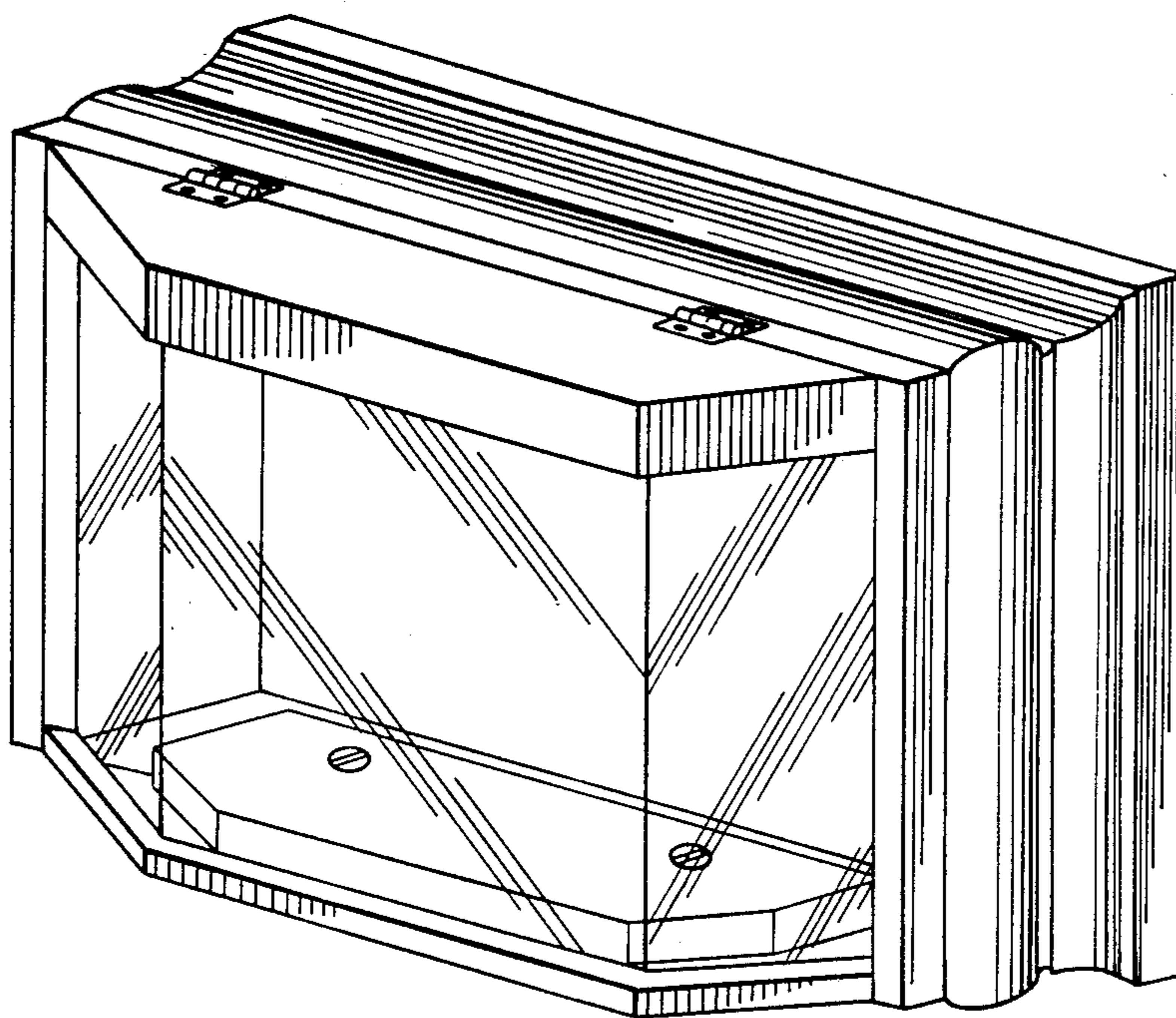
Primary Examiner—Carmen H. Vales-Lado  
Attorney, Agent, or Firm—Antonelli, Terry, Stout & Kraus

[57] CLAIM

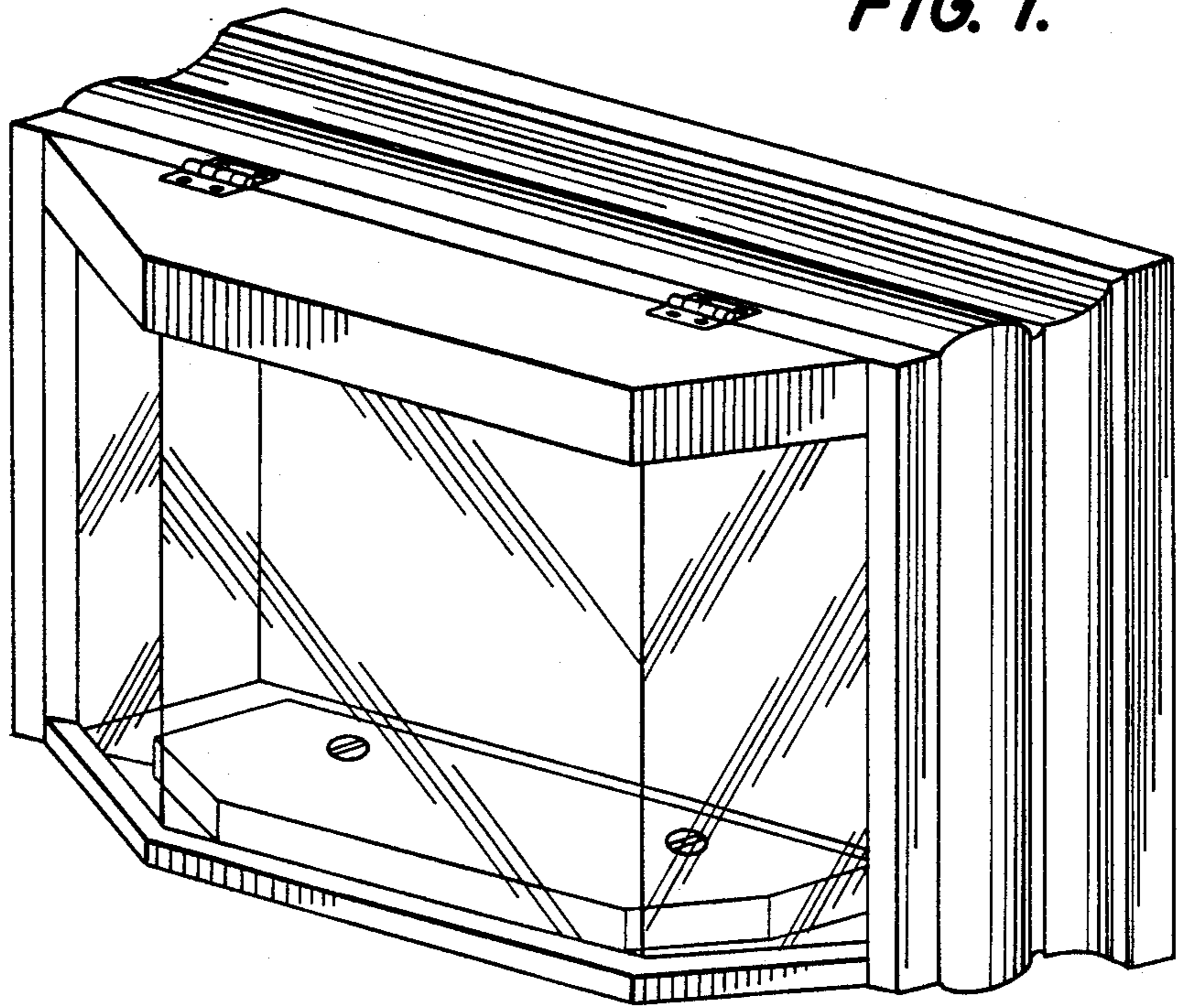
The ornamental design for a wall mounted display case, as shown and described.

DESCRIPTION

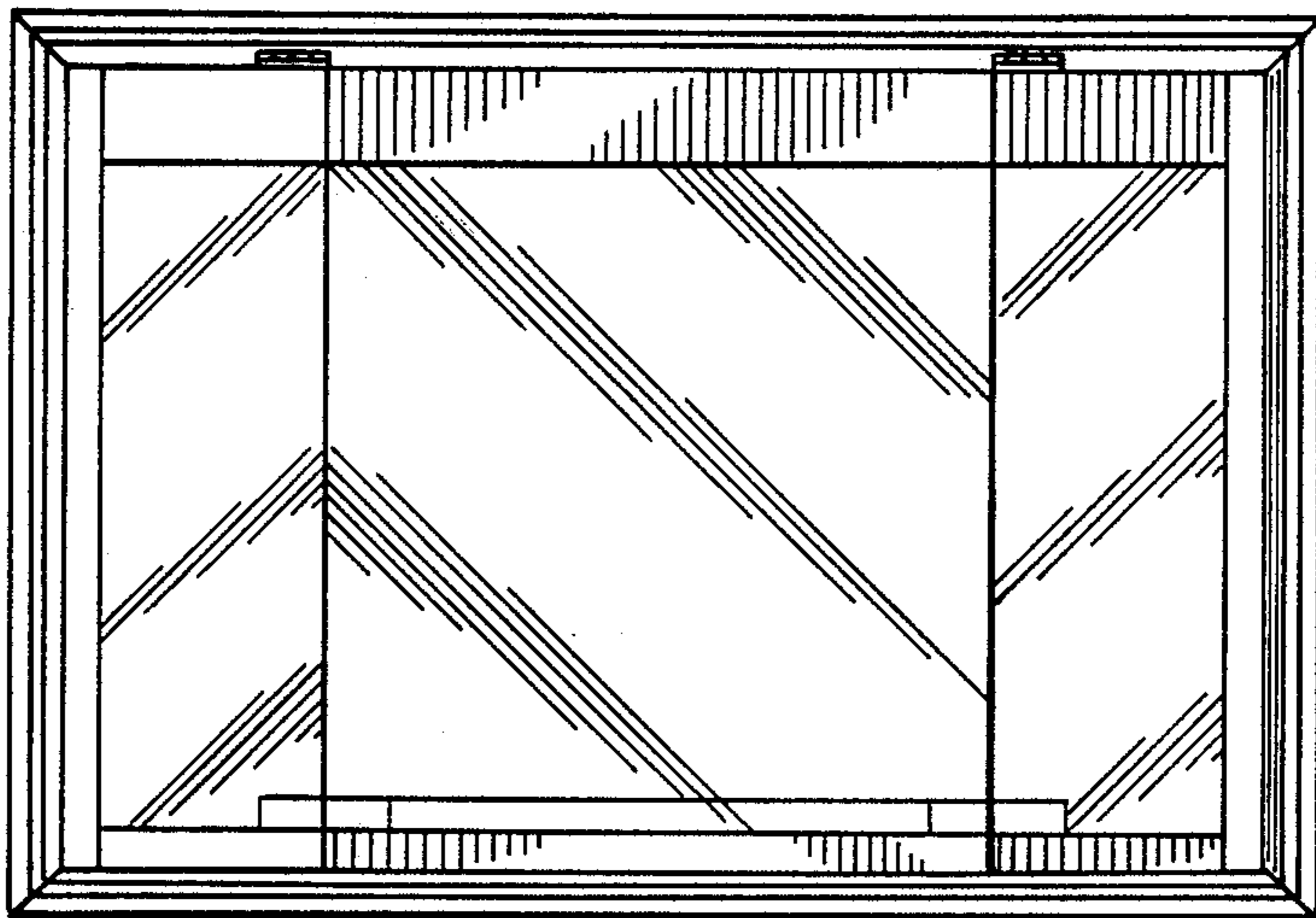
FIG. 1 is a perspective view of a wall mounted display case showing my new design;  
FIG. 2 is a front elevational view thereof;  
FIG. 3 is a top plan view thereof;  
FIG. 4 is a side elevational view thereof; and  
FIG. 5 is a bottom plan view thereof.  
The rear of the display case is flat and unornamented except for the hardware.



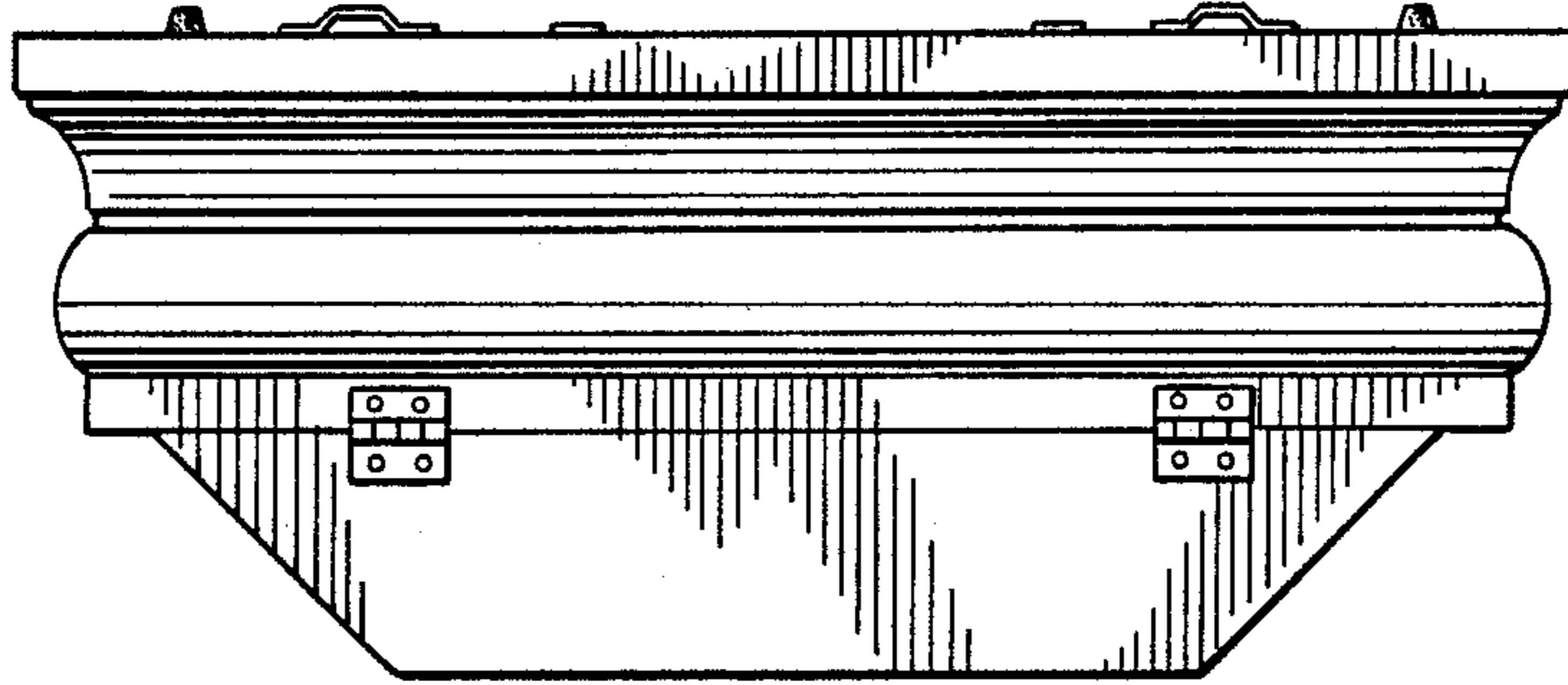
*FIG. 1.*



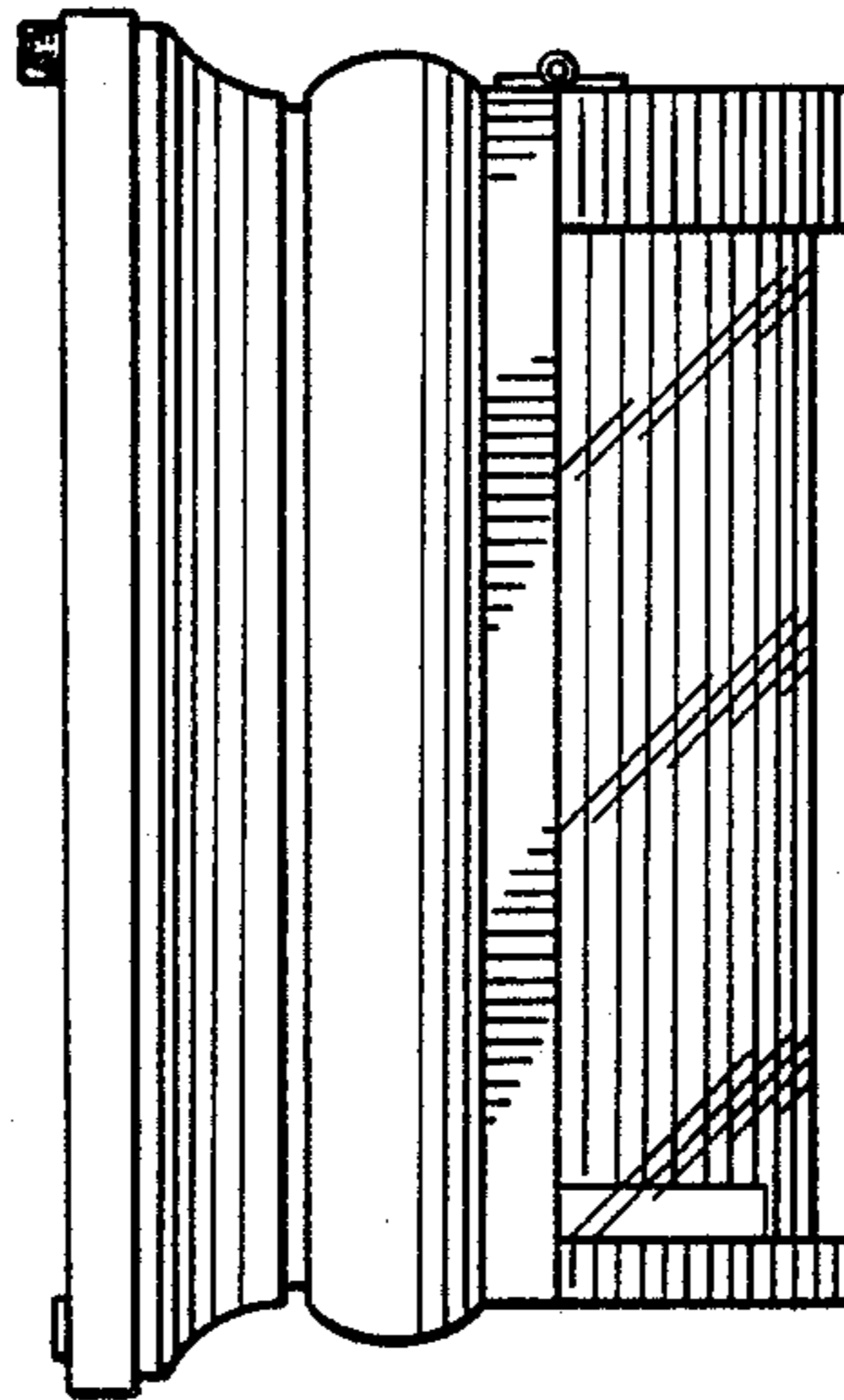
*FIG. 2.*



**FIG. 3.**



**FIG. 4.**



**FIG. 5.**

