

[54] TRIPLE HEAD SURFACE CLEANING DEVICE

1,661,358 3/1928 Brake 401/16 X
2,534,086 1/1948 Vosbikian et al. 15/245

[76] Inventor: Israel Viner, 1411 N. Curson Ave.
#1, Los Angeles, Calif. 90046

Primary Examiner—Wallace R. Burke
Assistant Examiner—Lavone D. Tabor
Attorney, Agent, or Firm—William H. Pavitt, Jr.;
Vernon D. Beehler; Ralf H. Siegemund

[**] Term: 14 Years

[21] Appl. No.: 36,695

[57] CLAIM

[22] Filed: Apr. 10, 1987

The ornamental design for a triple head surface cleaning device, as shown and described.

[52] U.S. Cl. D4/118; D32/42;
D32/45

DESCRIPTION

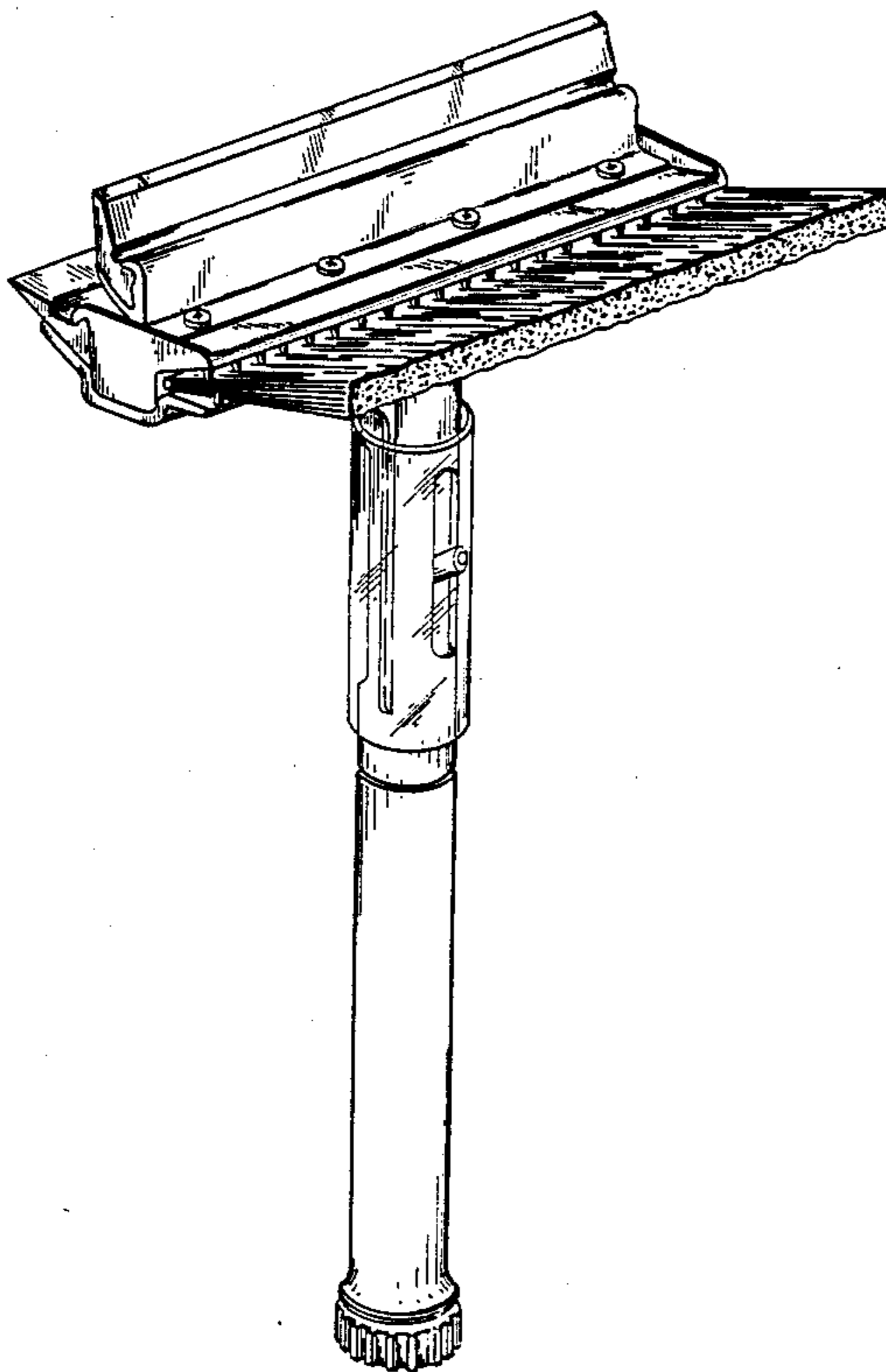
[58] Field of Search D32/35, 40-46;
D4/114-116, 118; 15/104 R, 105-106, 111, 118,
121, 245; 401/16, 23, 25, 27, 137-139, 143, 188
R, 192, 195-196

FIG. 1 is a perspective view of a triple head surface cleaning device showing my novel design;
FIG. 2 is a front elevational view thereof;
FIG. 3 is a right side elevational view thereof;
FIG. 4 is a bottom plan view thereof;
FIG. 5 is a top plan view thereof;
FIG. 6 is a rear elevational view thereof; and
FIG. 7 is a left side elevational thereof.

[56] References Cited

U.S. PATENT DOCUMENTS

D. 291,378 8/1987 Viner D32/41



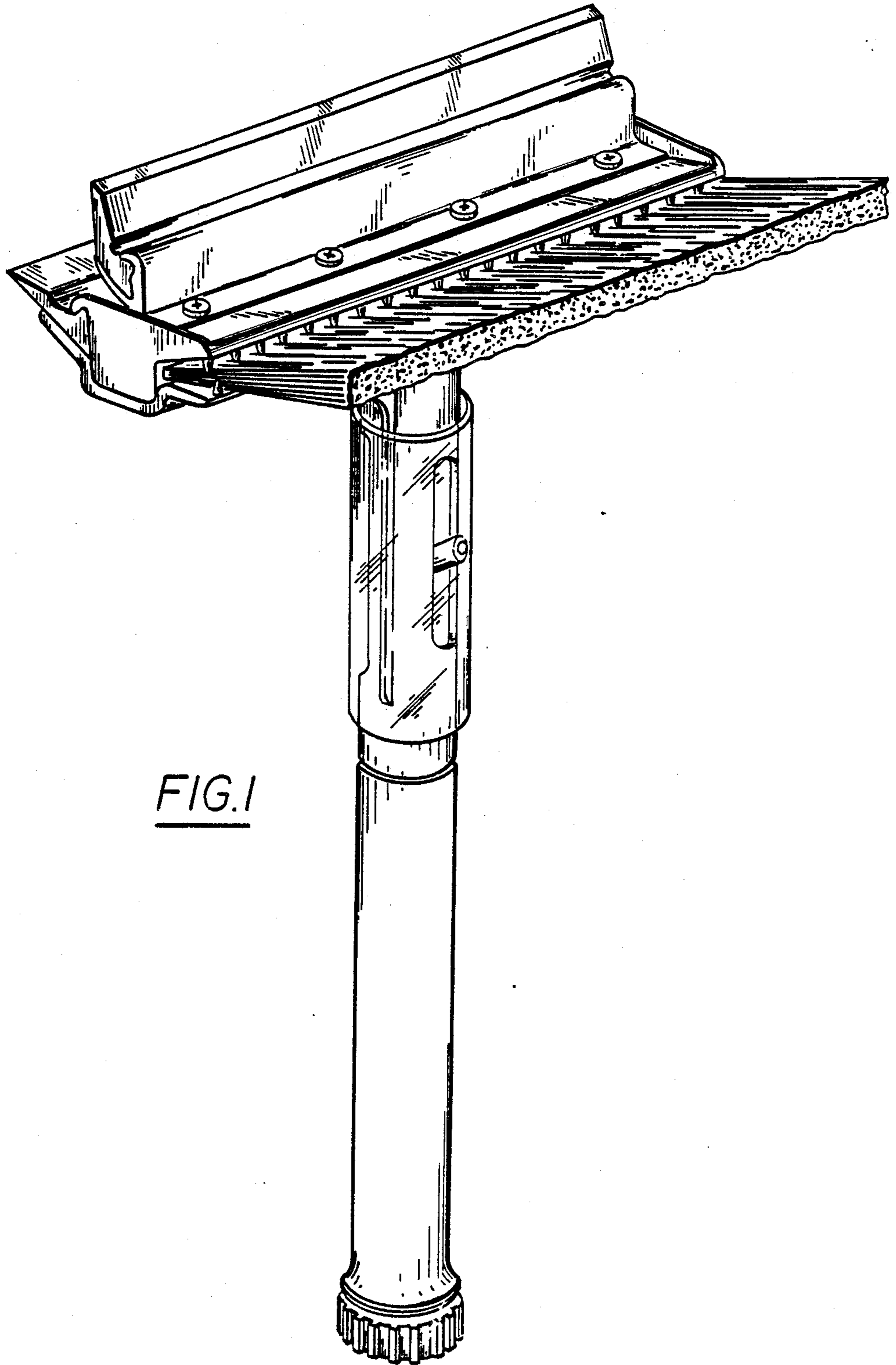
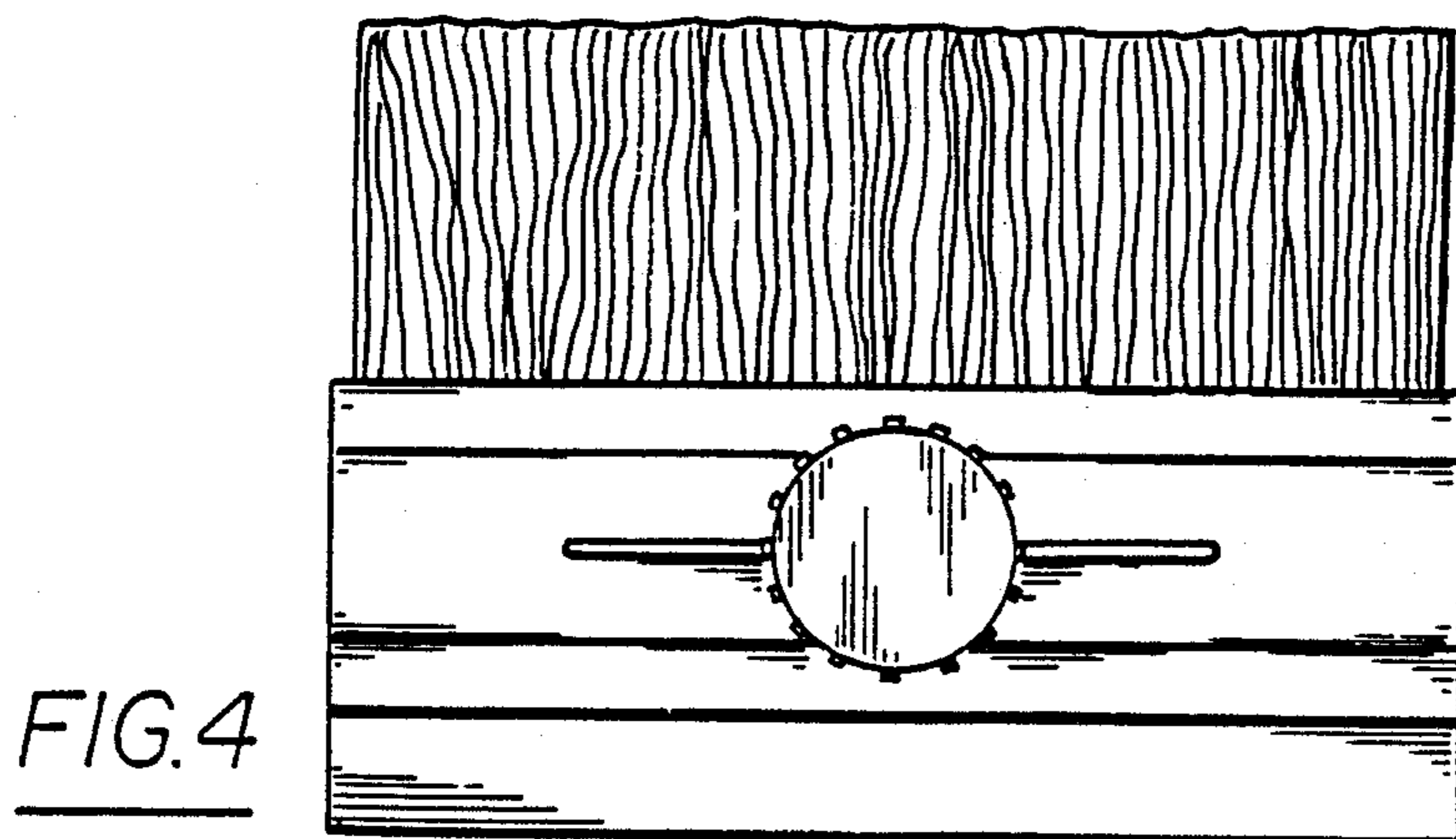
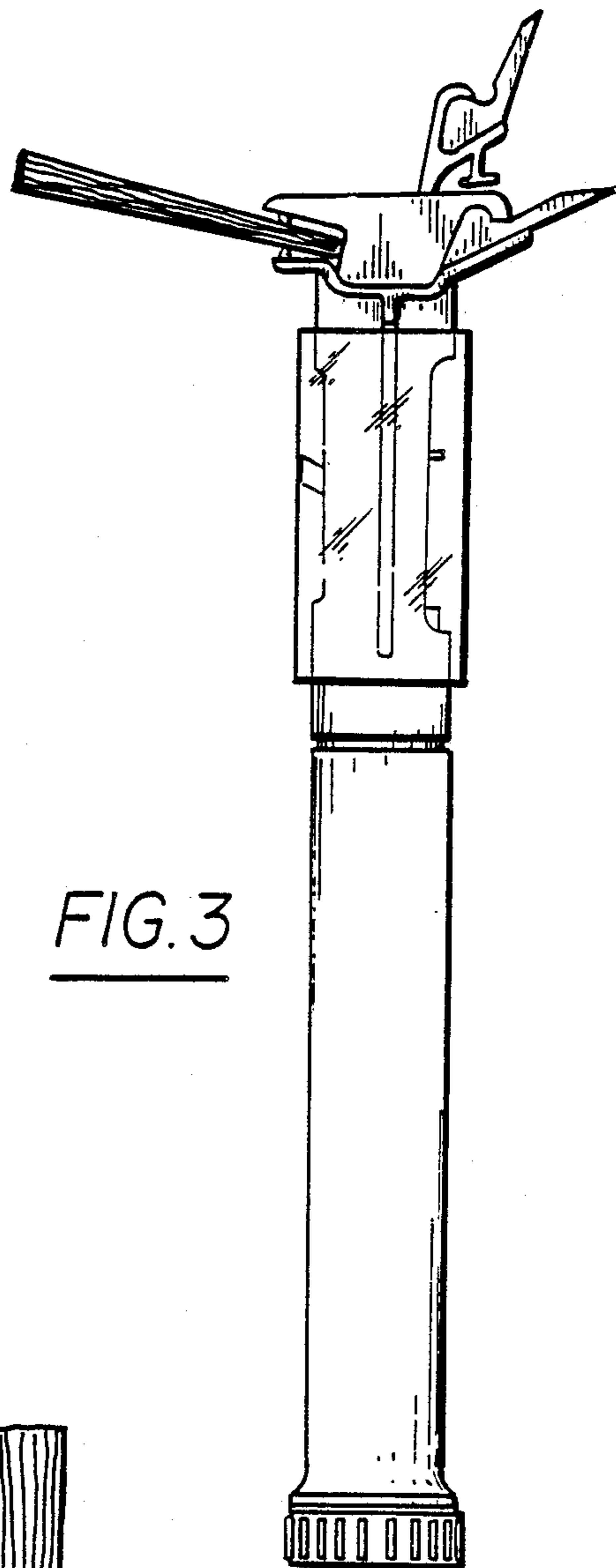
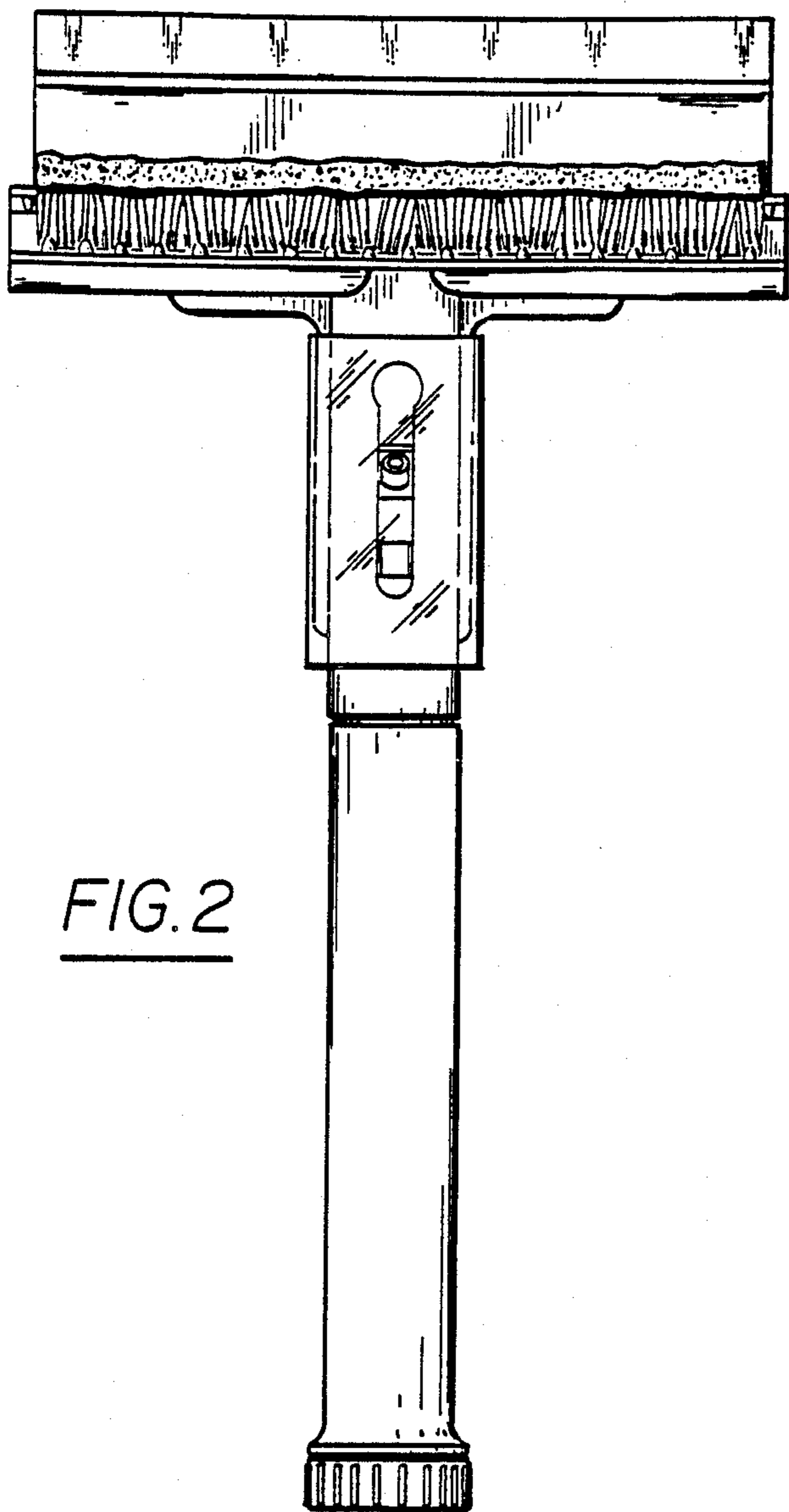


FIG. 1



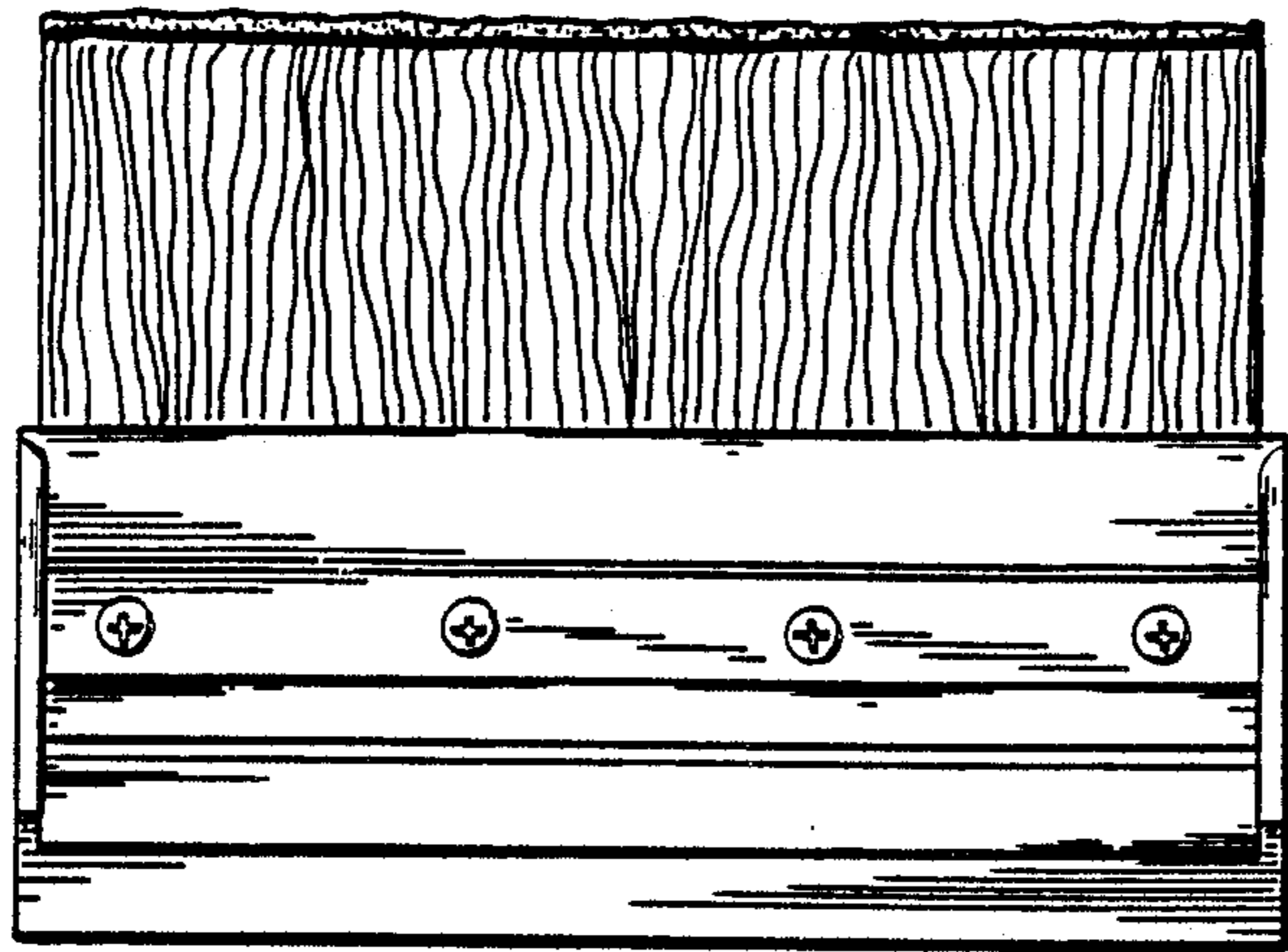


FIG. 5

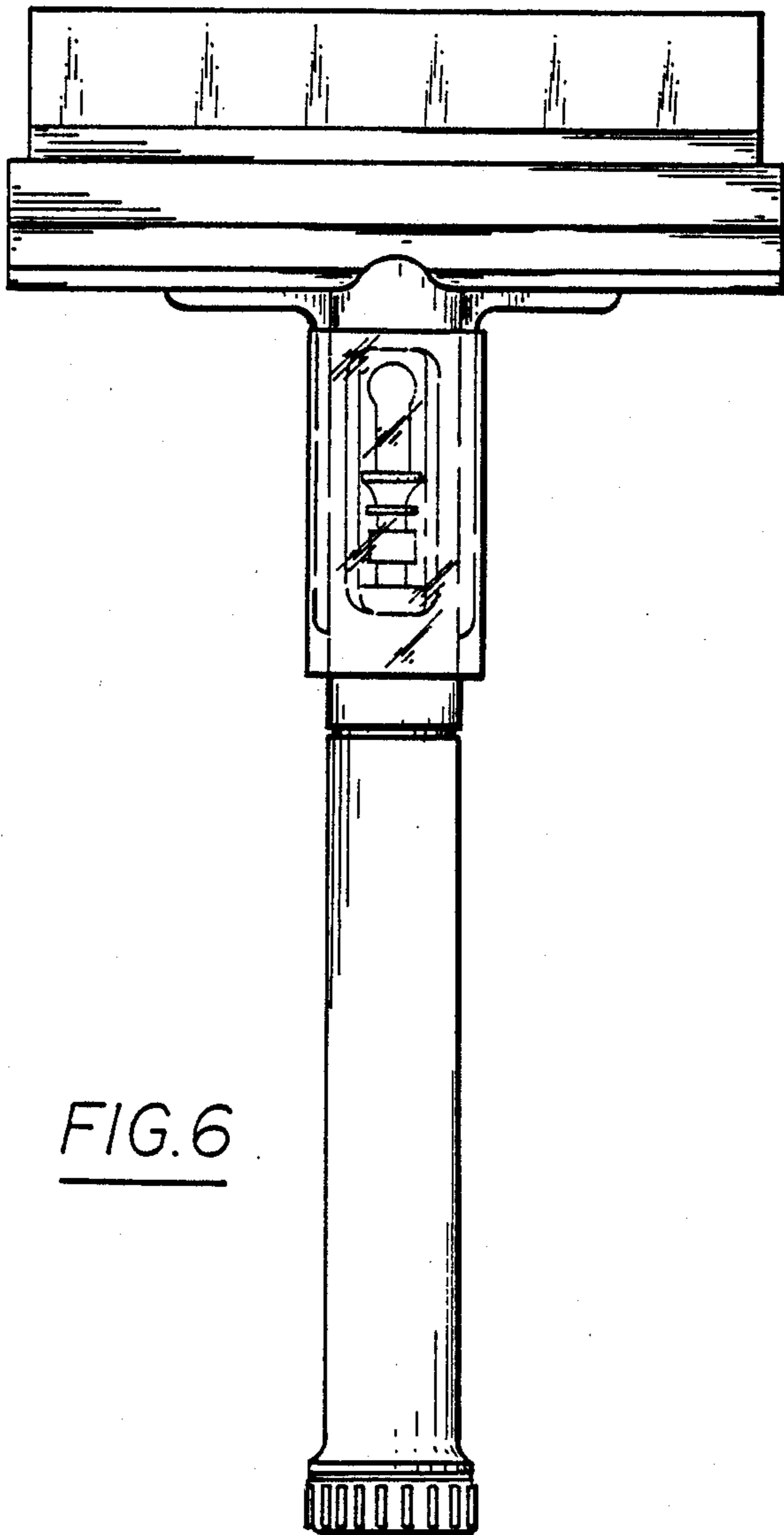


FIG. 6

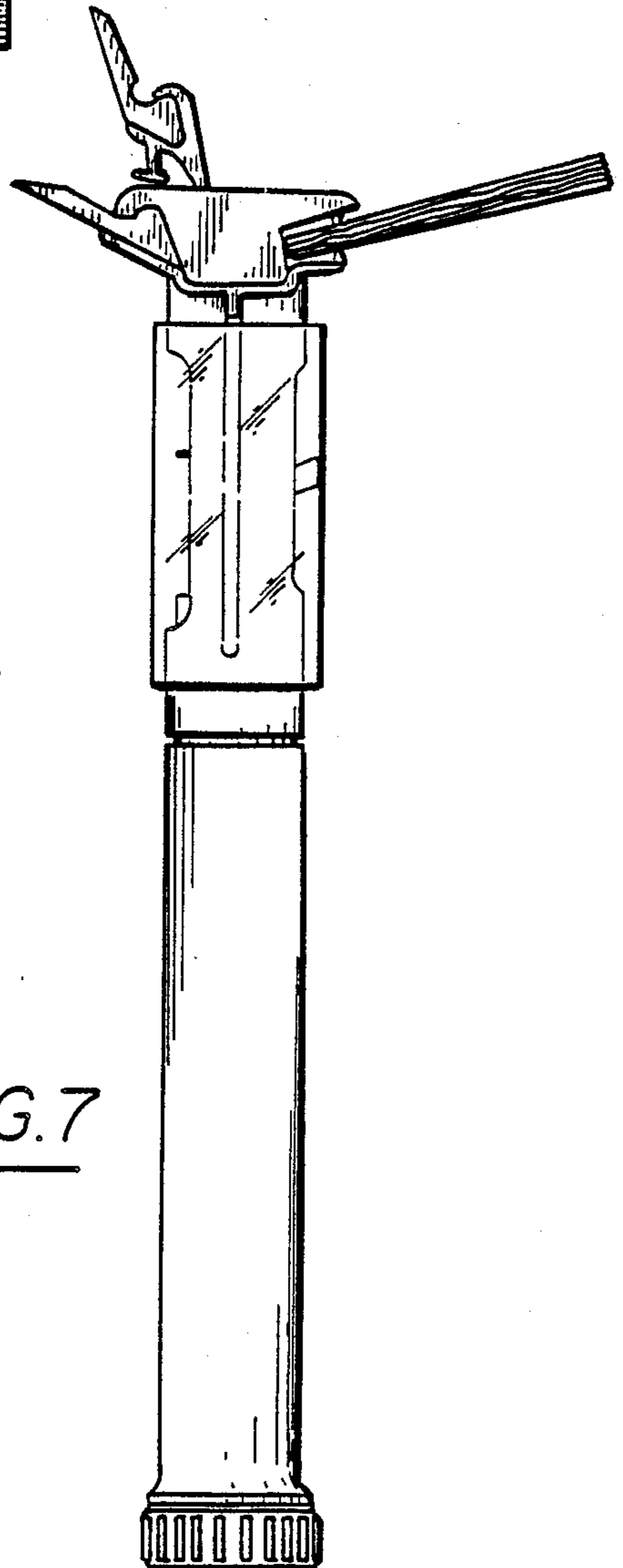


FIG. 7