

[54] **DISKETTE STORAGE UNIT**  
[76] **Inventor: John E. Sherry, 2910 Neilson Way,  
#504, Santa Monica, Calif. 90405**  
[\*\*] **Term: 14 Years**  
[21] **Appl. No.: 937,520**  
[22] **Filed: Dec. 3, 1986**  
[52] **U.S. Cl. .... D3/35; 220/234;  
206/387**  
[58] **Field of Search ..... D3/35; 312/8, 9, 10,  
312/11, 12, 13, 14, 15, 16, 17, 18, 19, 111, 319;  
206/387; 220/23.4, 210**

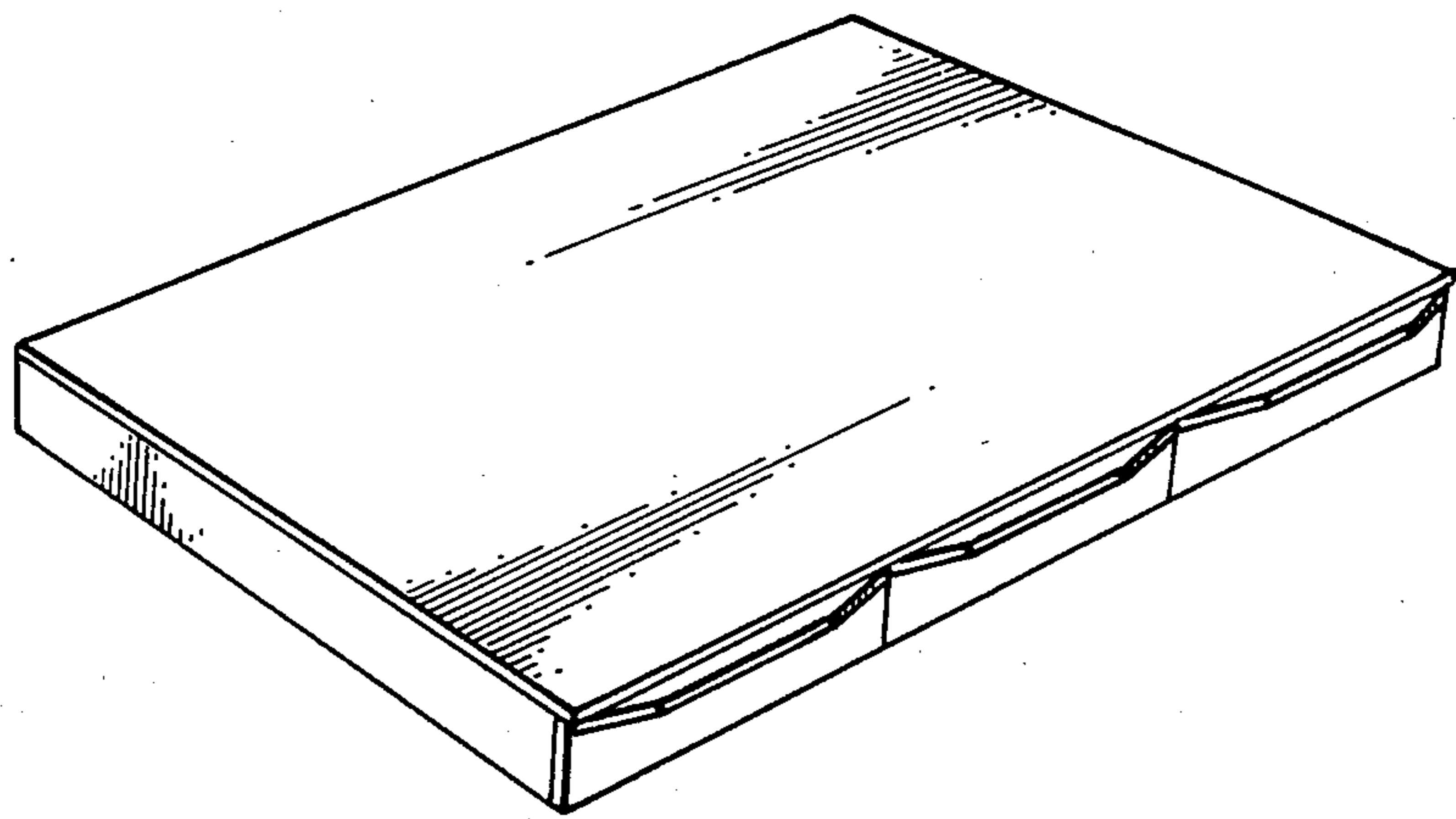
[56] **References Cited**  
**U.S. PATENT DOCUMENTS**  
1,736,651 11/1929 Glaenzer ..... 220/23.4 X  
4,275,943 6/1981 Gelardi et al. .... D3/35 X  
4,413,867 11/1983 Brook et al. .... 312/111  
4,426,056 1/1984 Gelardi et al. .... 312/12 X

4,478,335 6/1983 Long et al. .  
**FOREIGN PATENT DOCUMENTS**  
86/01930 3/1986 PCT Int'l Appl. .... 206/444

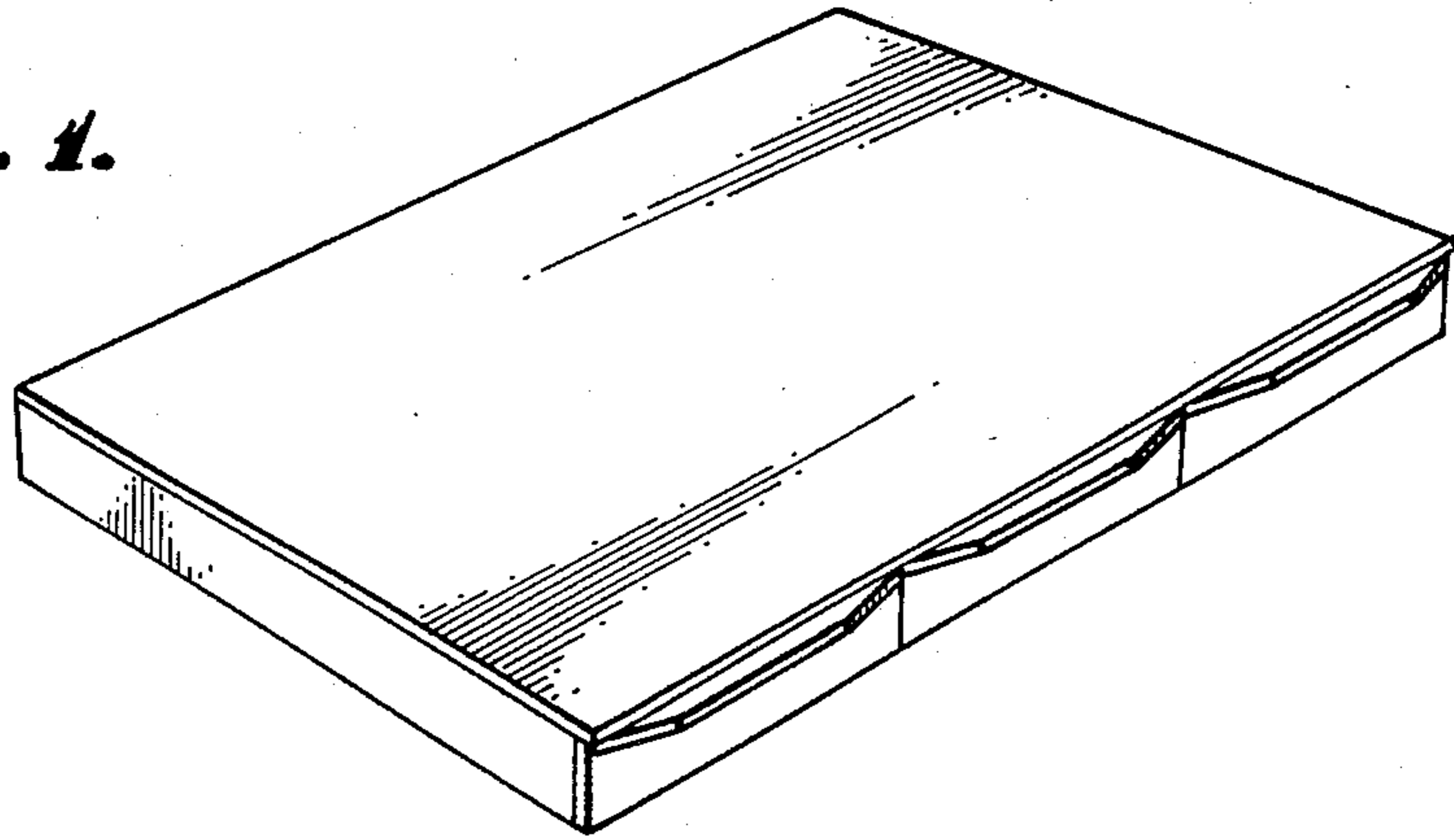
*Primary Examiner*—James R. Largen  
*Assistant Examiner*—Y. Brunot  
*Attorney, Agent, or Firm*—Poms, Smith, Lande & Rose

[57] **CLAIM**  
The ornamental design for a diskette storage unit, as shown and described.

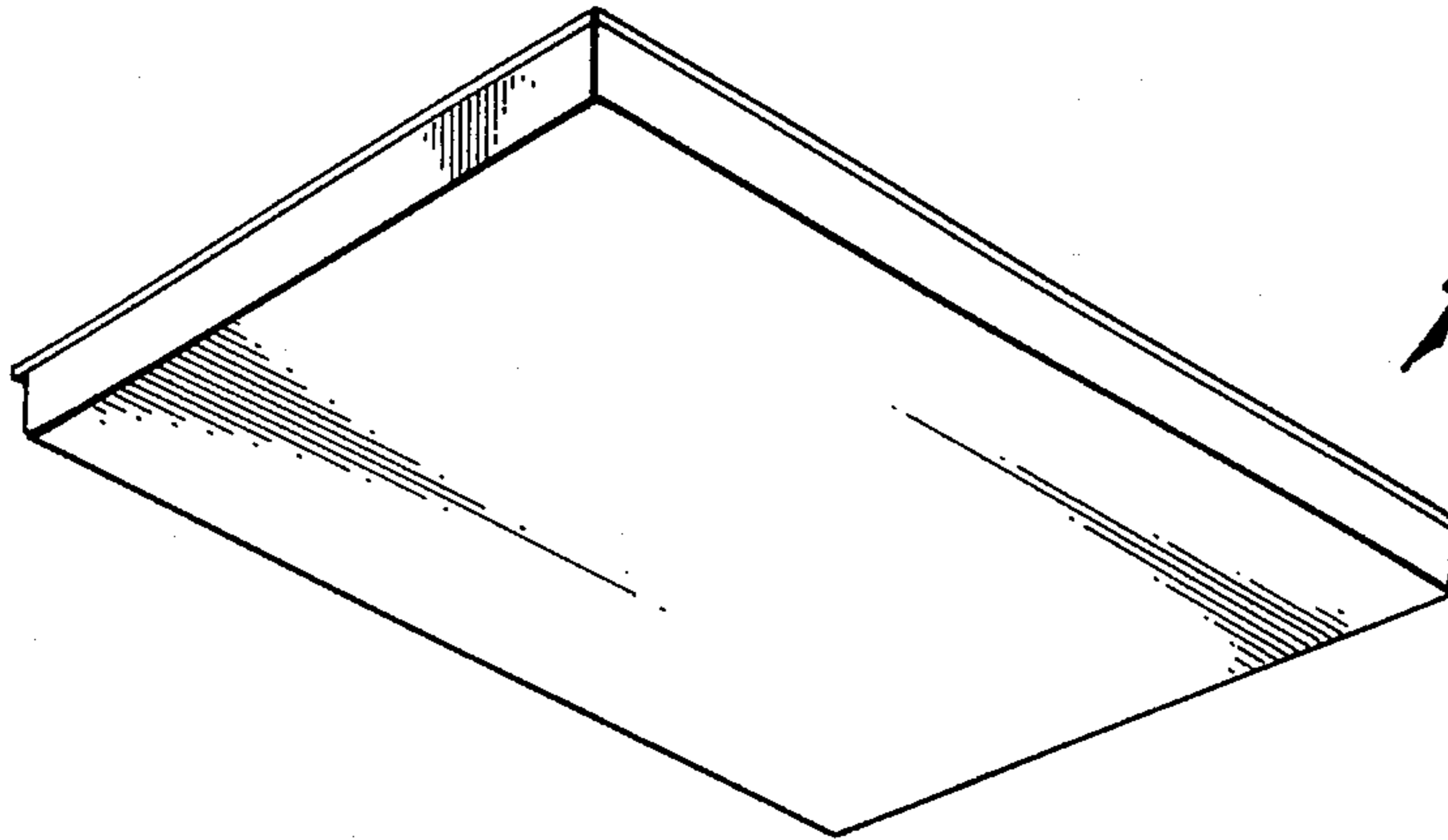
**DESCRIPTION**  
FIG. 1 is a top, front, and left side perspective view of a diskette storage unit showing my new design;  
FIG. 2 is a bottom, rear and right side perspective view thereof; and,  
FIG. 3 is another top, front, and left side perspective view thereof showing one storage drawer in an open position.



*Fig. 1.*



*Fig. 2.*



*Fig. 3.*

