

[54] TAPE CAROUSEL

[75] Inventor: Jack G. Walden, Oklahoma City, Okla.

[73] Assignee: Lebever Co., Oklahoma City, Okla.

[**] Term: 14 Years

[21] Appl. No.: 37,403

[22] Filed: Apr. 13, 1987

[52] U.S. Cl. D3/35

[58] Field of Search D3/35, 30.1; D6/407, D6/457, 459; D19/85, 99, 76; D9/326; 206/307, 309, 311, 387, 44 R; 211/40; 248/221.1; 312/10, 11, 12, 14, 111; D14/121

D. 224,775 9/1972 Brother D6/457

D. 225,811 1/1973 Wooten D6/407

D. 227,190 6/1973 McKinsey et al. D19/76

D. 233,375 10/1974 Berkman D6/407

D. 234,325 2/1975 Snyder D19/76

D. 240,175 6/1976 Rumble D6/407

D. 249,434 9/1978 Harris D6/407

D. 277,905 3/1985 Barber D6/407

Primary Examiner—James R. Largen
 Assistant Examiner—Cathy Anne MacCormac
 Attorney, Agent, or Firm—Glen M. Burdick

[57] CLAIM

The ornamental design for a tape carousel, as shown and described.

[56] References Cited
 U.S. PATENT DOCUMENTS

D. 181,296 10/1957 Kezeli D6/457

D. 182,953 6/1958 Gullixson D6/407

D. 210,295 2/1968 Treu D6/407

D. 221,237 7/1971 Connan D6/407

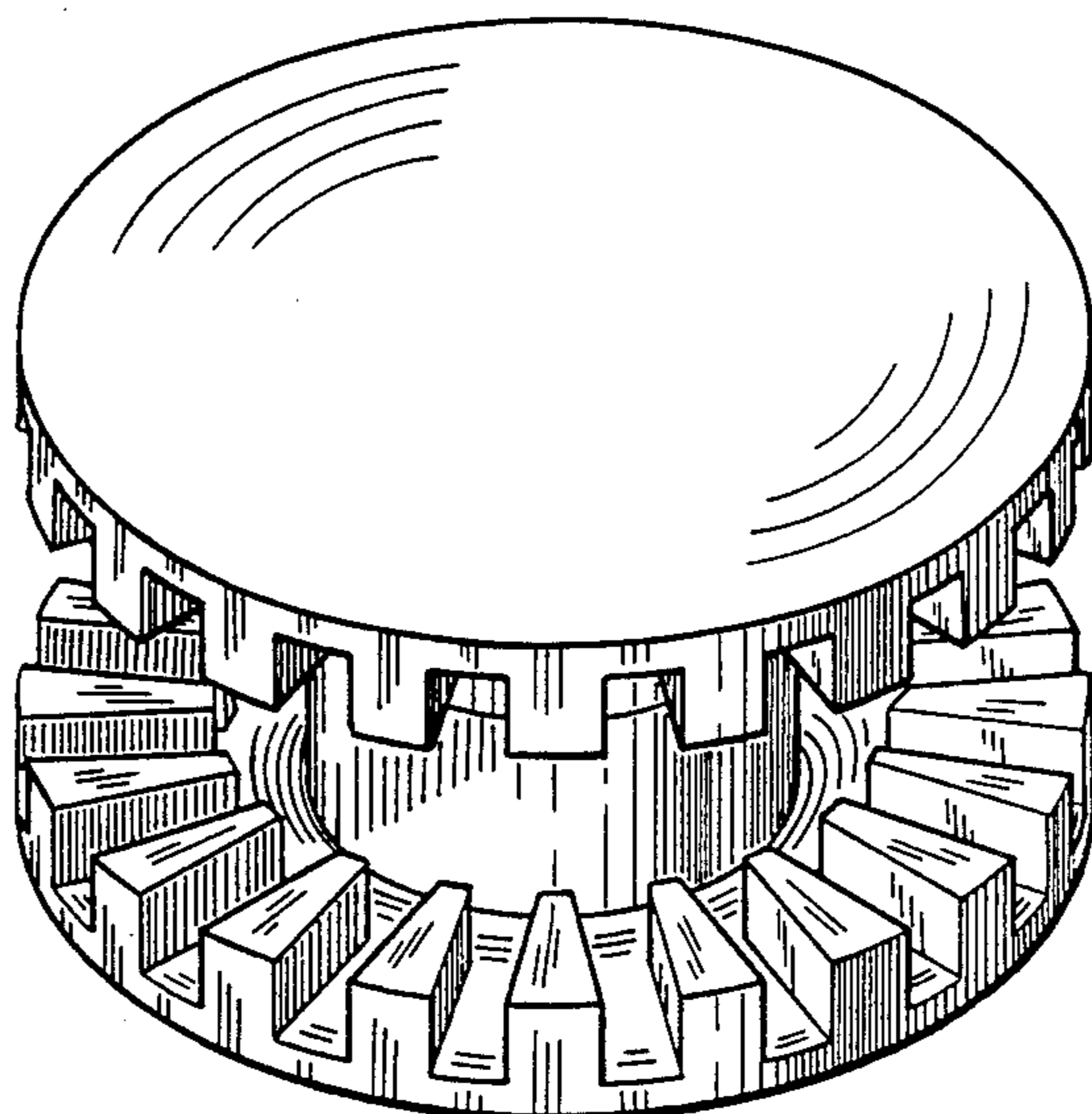
D. 222,068 9/1971 White D14/121

DESCRIPTION

FIG. 1 is a perspective view taken from the top of a tape carousel showing my new design;

FIG. 2 is a perspective view taken from the bottom thereof;

FIG. 3 is a side elevational view, the other sides being the same as the side shown.



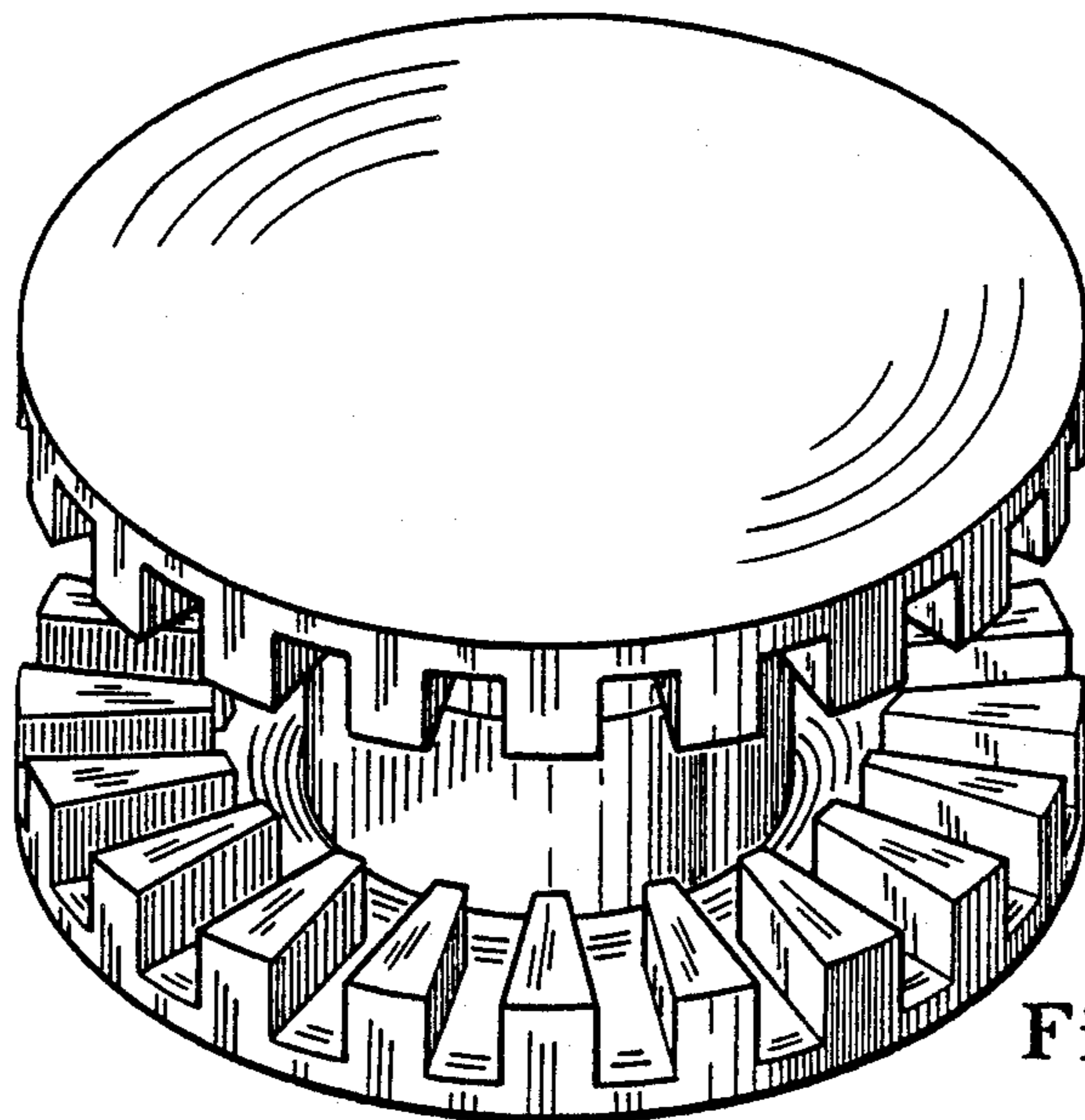


Fig. 1

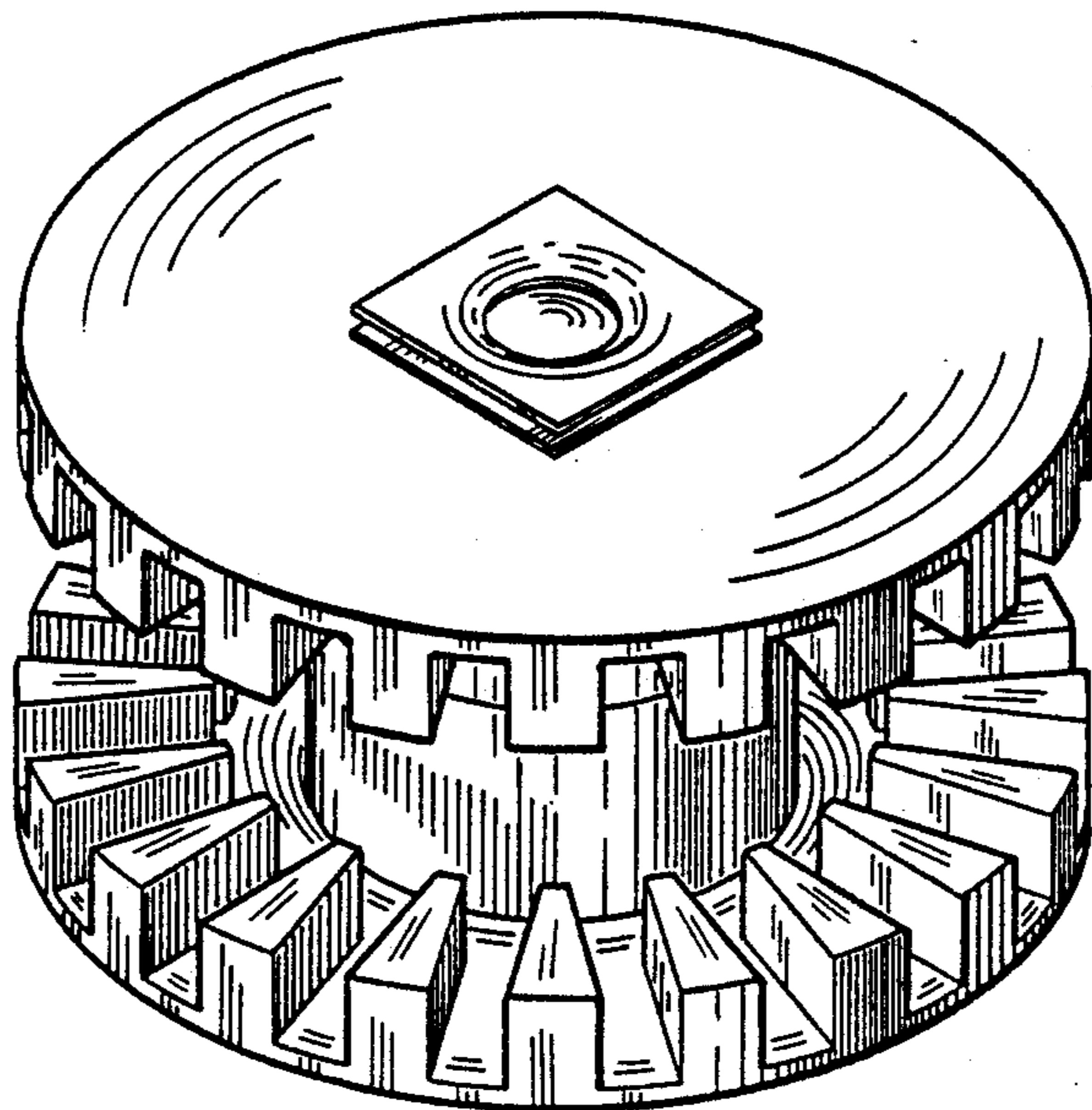


Fig. 2

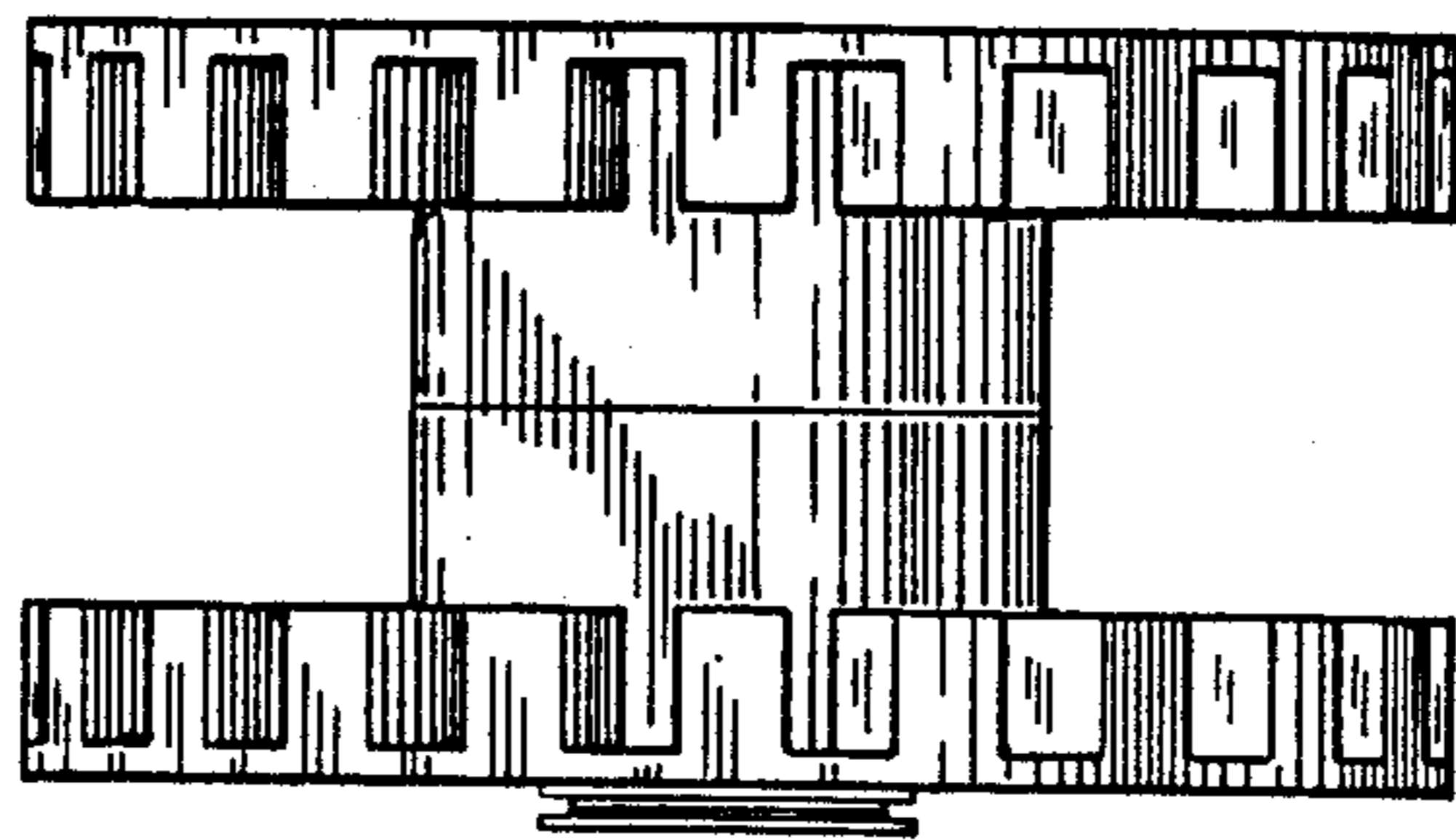


Fig. 3