

[54] **PET TOY**
 [75] Inventors: **Joseph P. Markham; Peter Emily,**
 both of Lakewood, Colo.
 [73] Assignee: **Bounce, Inc.,** Lakewood, Colo.
 [**] Term: **14 Years**
 [21] Appl. No.: **151,247**
 [22] Filed: **Feb. 1, 1988**

D. 274,468 6/1984 Perry D24/36
 D. 274,649 7/1984 Shiu D24/36
 D. 279,406 6/1985 Shiu D24/36
 D. 281,816 12/1985 Conn, Sr. et al. D24/36
 D. 285,618 9/1986 Borgman D32/4
 3,830,202 8/1974 Garrison D30/160
 4,802,444 2/1989 Markham 119/29

Primary Examiner—James R. Largen
Assistant Examiner—Cathy Anne MacCormac
Attorney, Agent, or Firm—Fields, Lewis, Pittenger &
 Rost

Related U.S. Application Data

[63] Continuation-in-part of Ser. No. 73,432, Jul. 15, 1987.
 [52] U.S. Cl. **D30/160**
 [58] Field of Search **D30/160; D24/36;**
 119/29; D32/4

[57] **CLAIM**

The ornamental design for a pet toy, as shown and described.

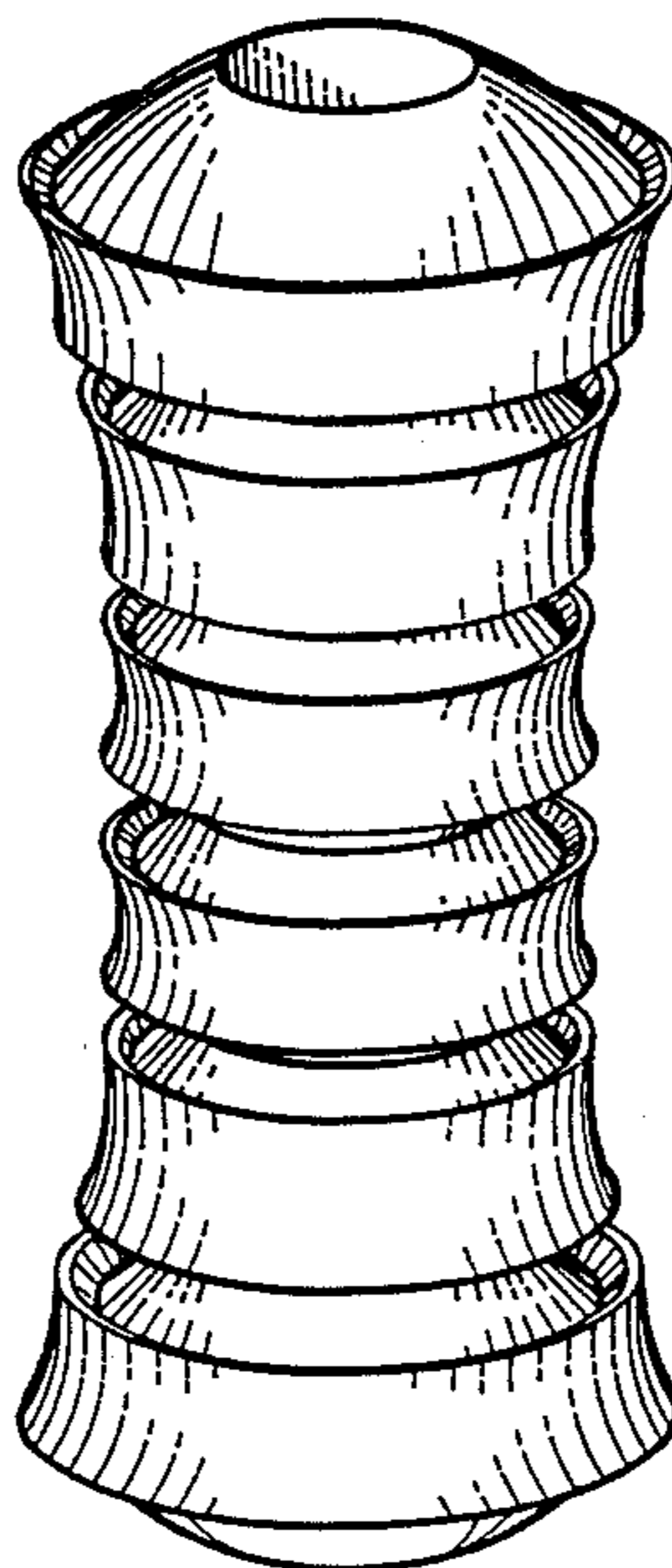
DESCRIPTION

FIG. 1 is a perspective view of a pet toy taken from the side and one end showing our new design;
 FIG. 2 is a side elevational view thereof;
 FIG. 3 is a top plan view thereof, the opposite end being identical thereto;

[56] **References Cited**

U.S. PATENT DOCUMENTS

D. 119,035 2/1940 Lindgren D24/36
 D. 256,503 8/1980 Moustakas D24/4



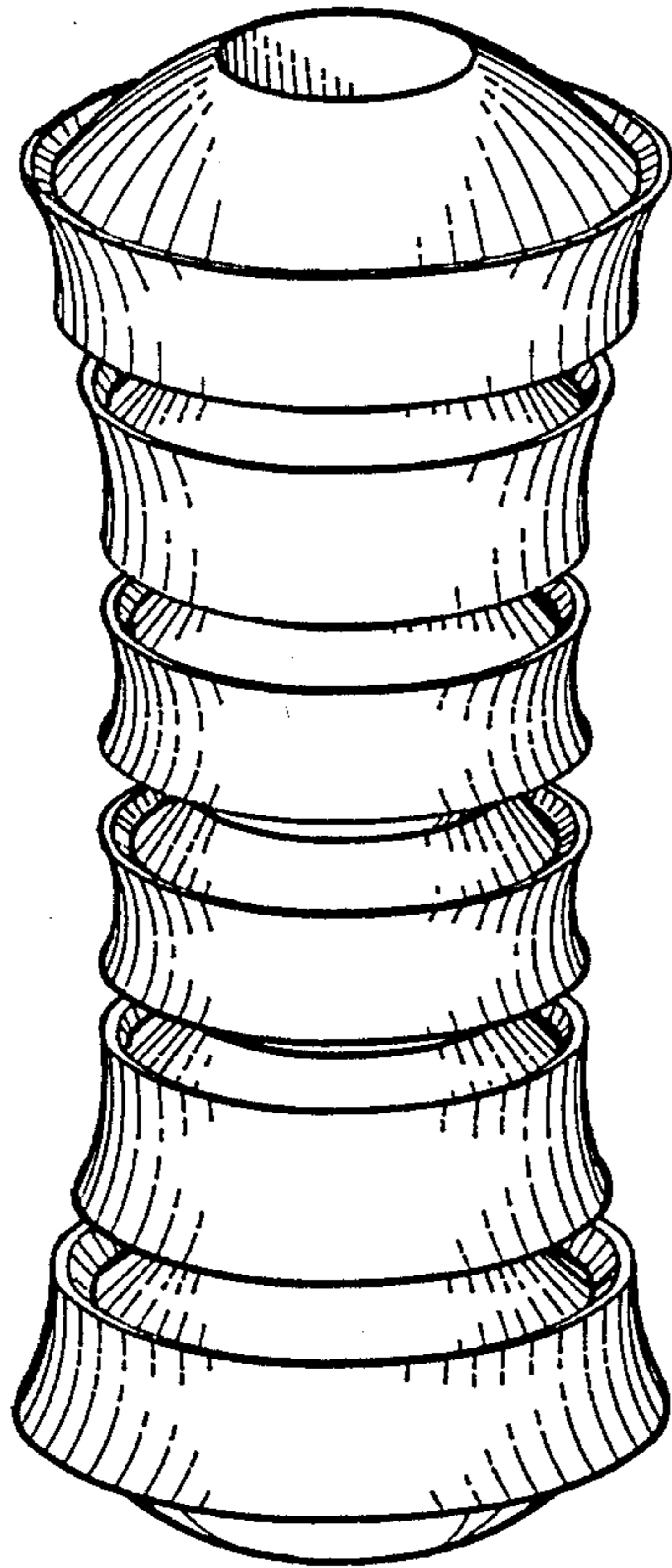


FIG. 1

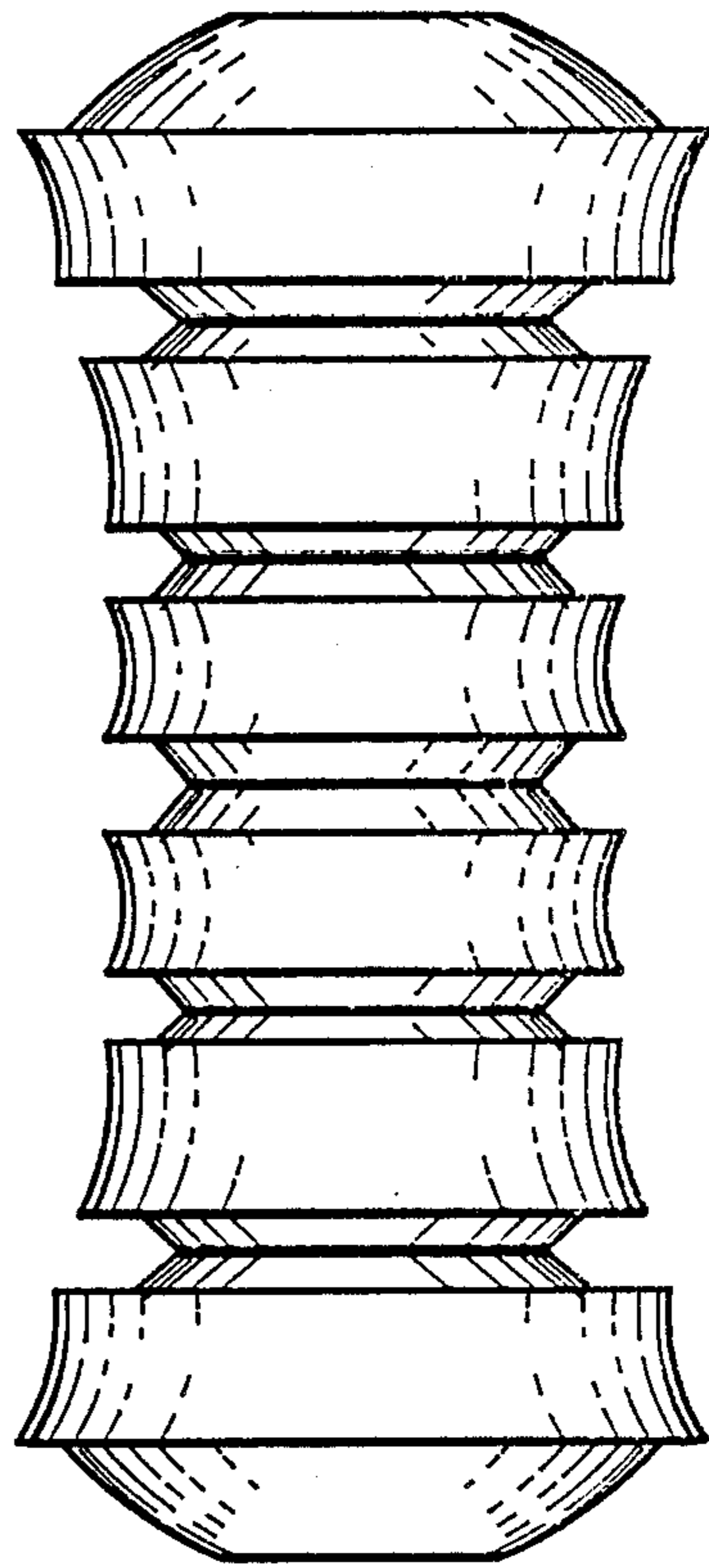


FIG. 2

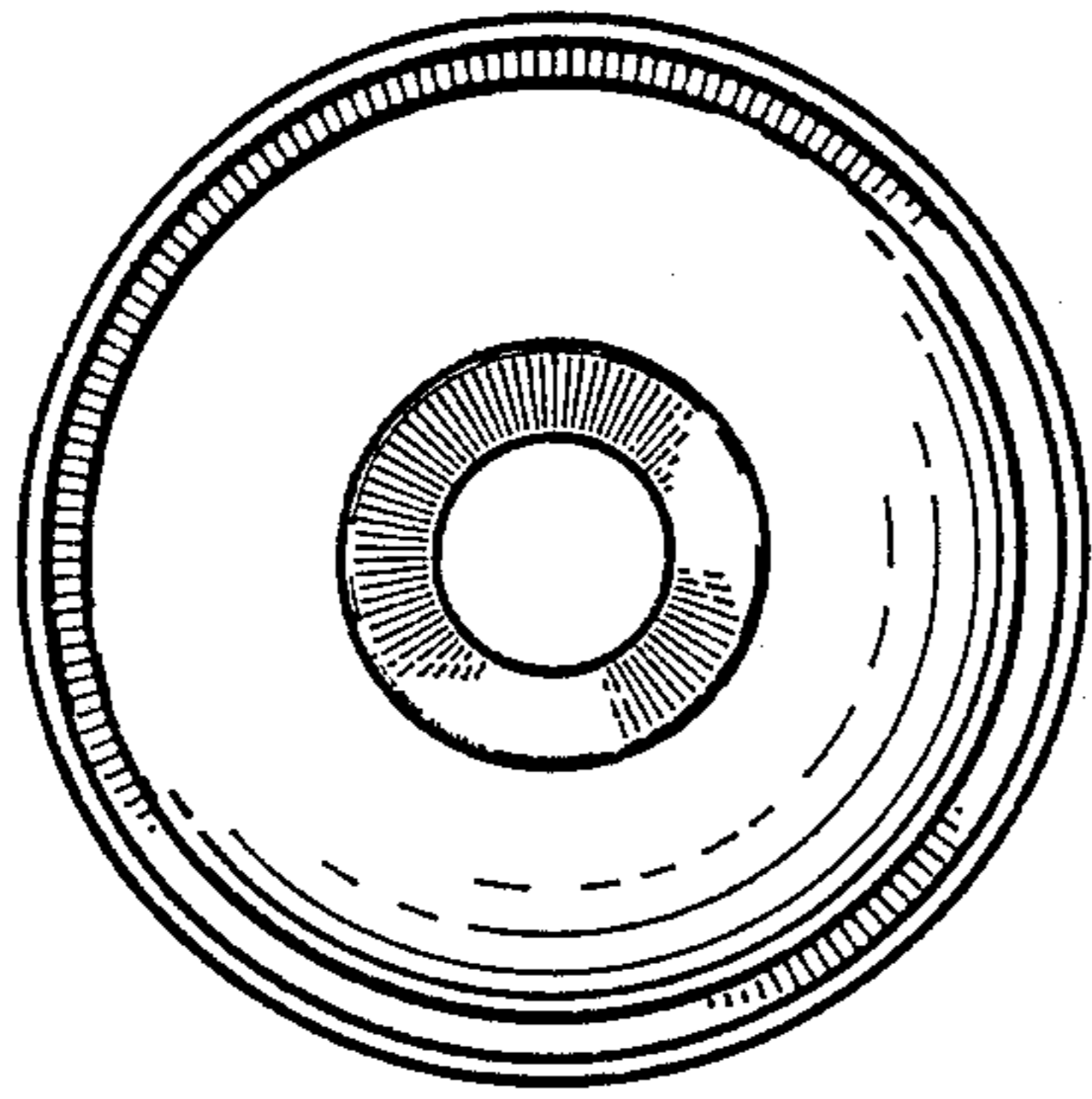


FIG. 3