

[54] DECORATIVE WALL LAMP

[76] Inventor: Leonard O. Lewis, Jr., 32 Willow St., Port Monmouth, N.J. 07758

[**] Term: 14 Years

[21] Appl. No.: 92,714

[22] Filed: Sep. 3, 1987

[52] U.S. Cl. D26/73; D11/138; D20/35

[58] Field of Search D26/73, 94, 98, 97, D26/125; D11/157, 163, 133, 138; D20/29, 35; 362/432, 806, 807, 808; 40/411, 421, 427, 442

[56] References Cited

U.S. PATENT DOCUMENTS

D. 44,658 9/1913 Curwen et al. D20/35

D. 83,305 2/1931 Brooks D11/133
D. 149,979 6/1948 Solstone D26/73 X
D. 152,390 1/1949 Brenner D26/97
D. 165,406 12/1951 Toler D26/73

Primary Examiner—Susan J. Lucas
Attorney, Agent, or Firm—H. Jay Spiegel

[57] CLAIM

The ornamental design for a decorative wall lamp, as shown and described.

DESCRIPTION

FIG. 1 is a front elevational view of a decorative wall lamp showing my new design;
FIG. 2 is a side elevational view thereof, the opposite side being a mirror image;
FIG. 3 is a rear elevational view thereof;
FIG. 4 is a top plan view thereof;
FIG. 5 is a bottom plan view thereof.

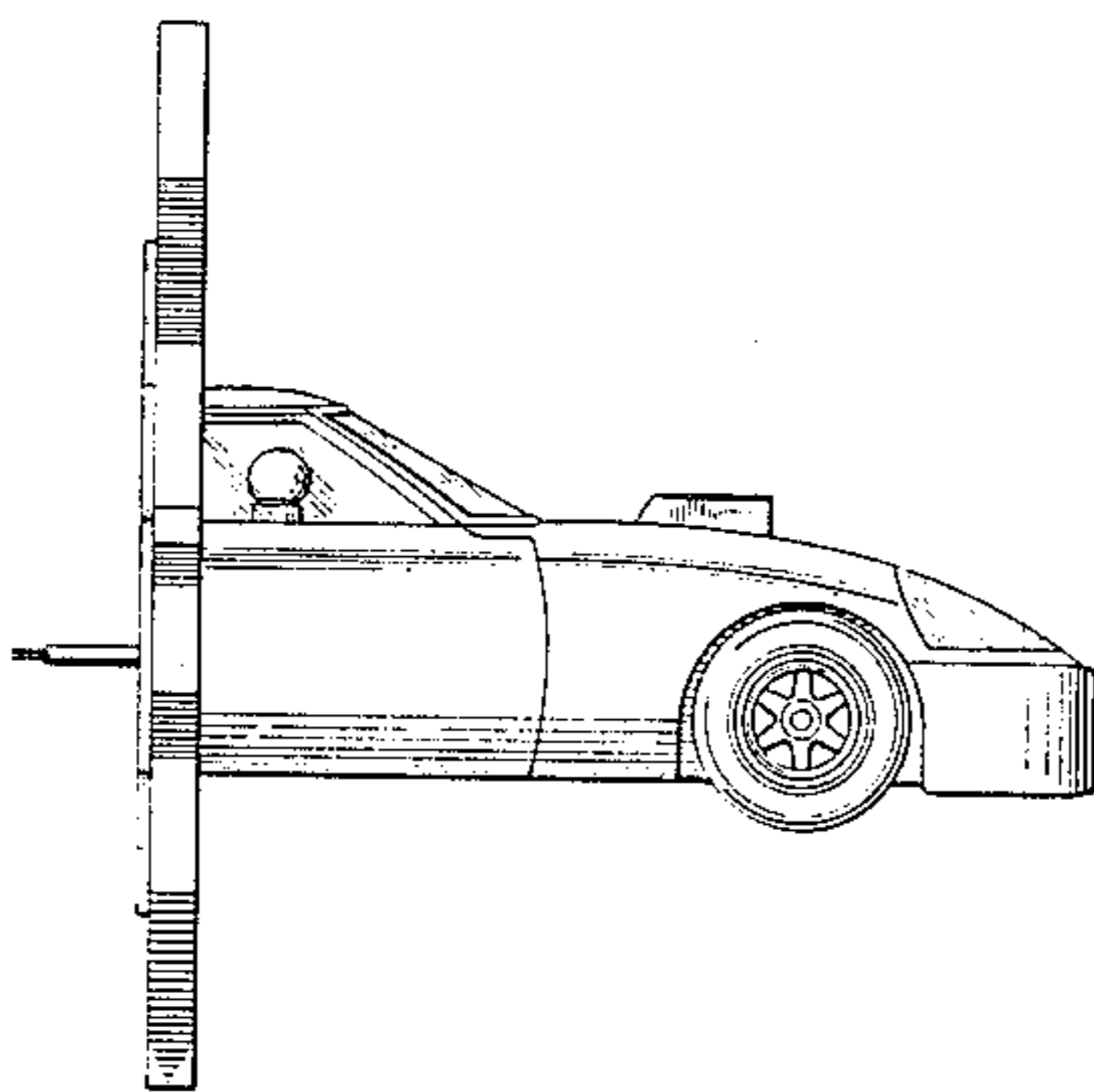
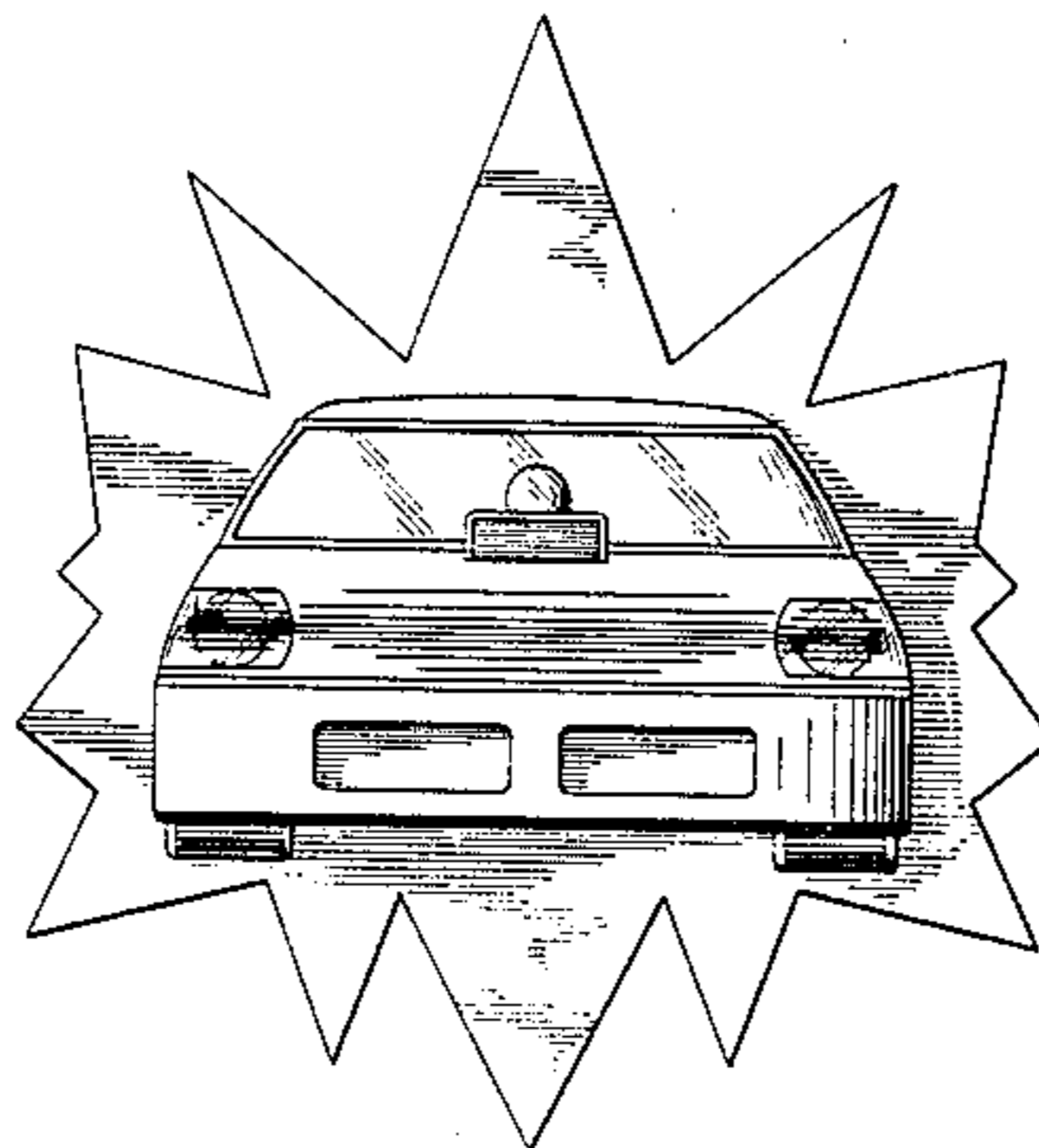


FIG. 1

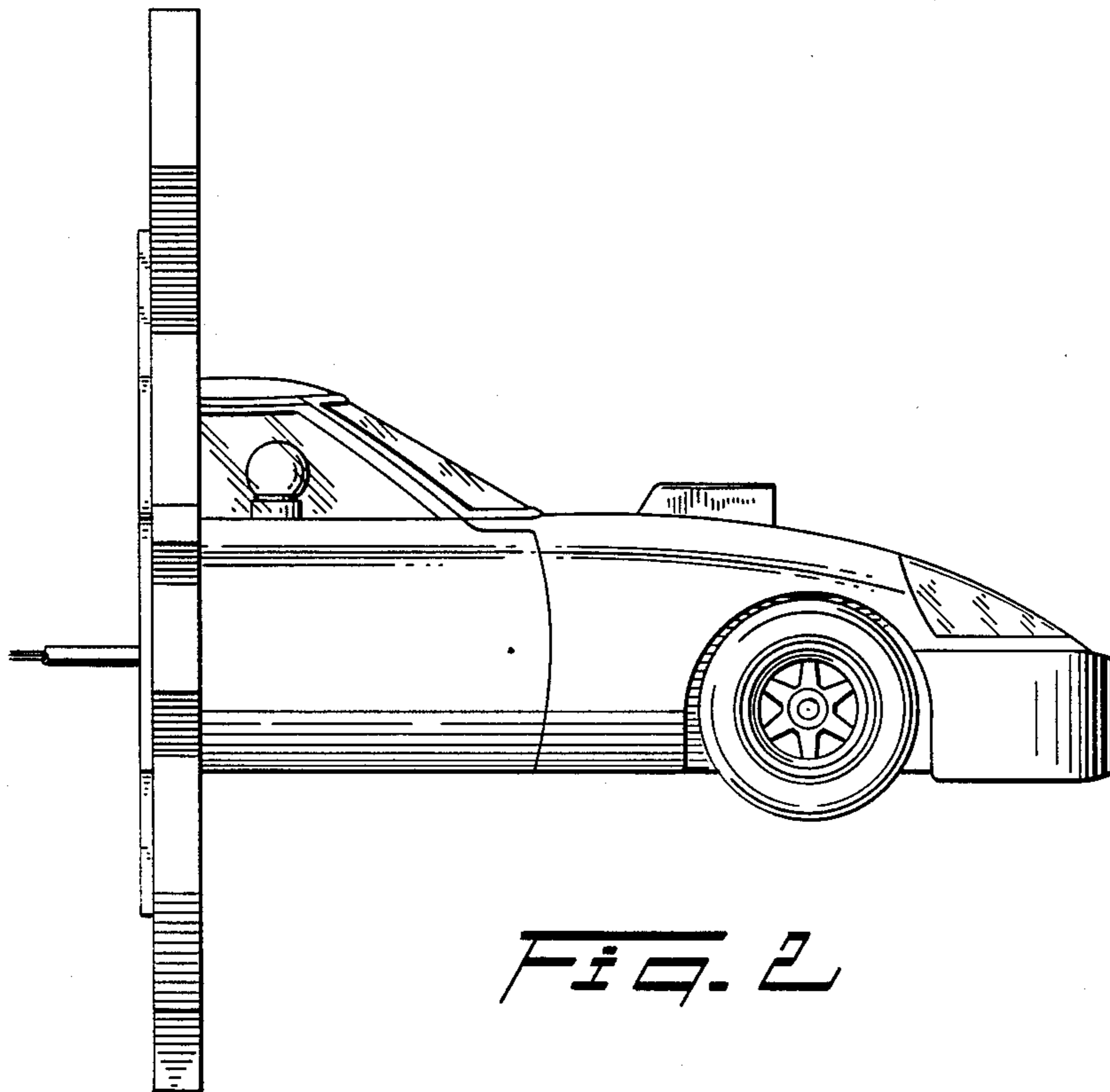
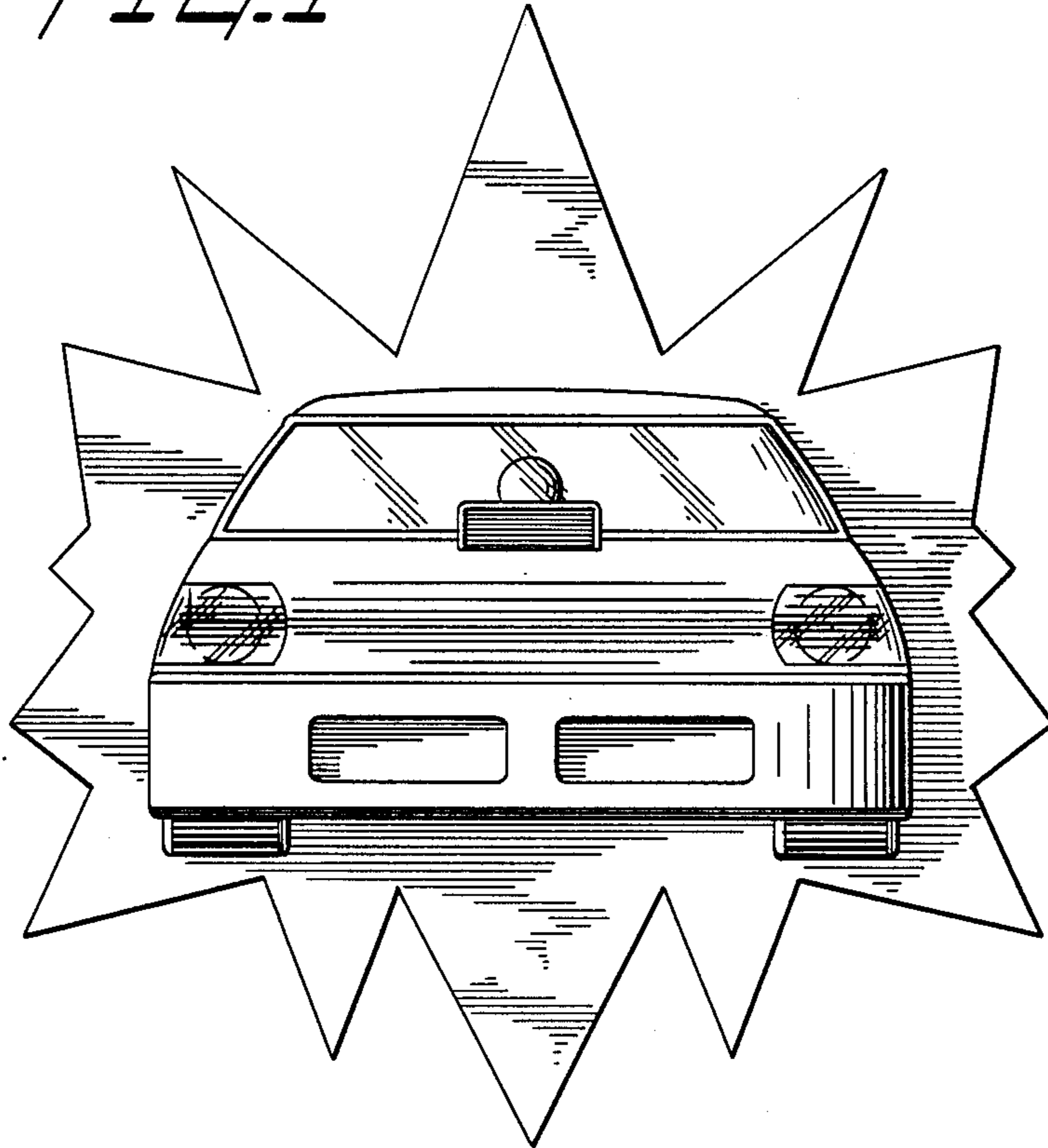


FIG. 2

Fig. 3

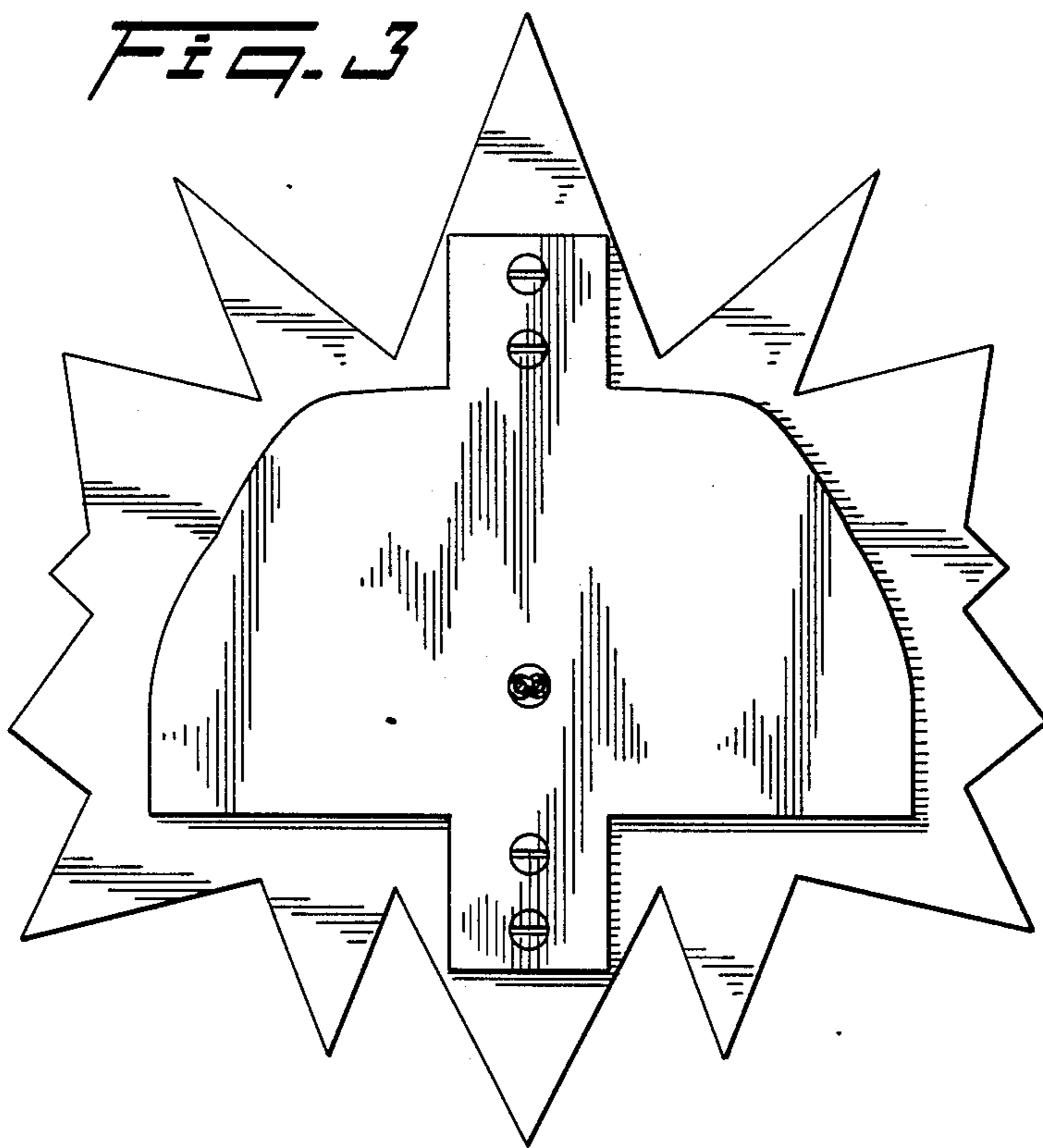


Fig. 4

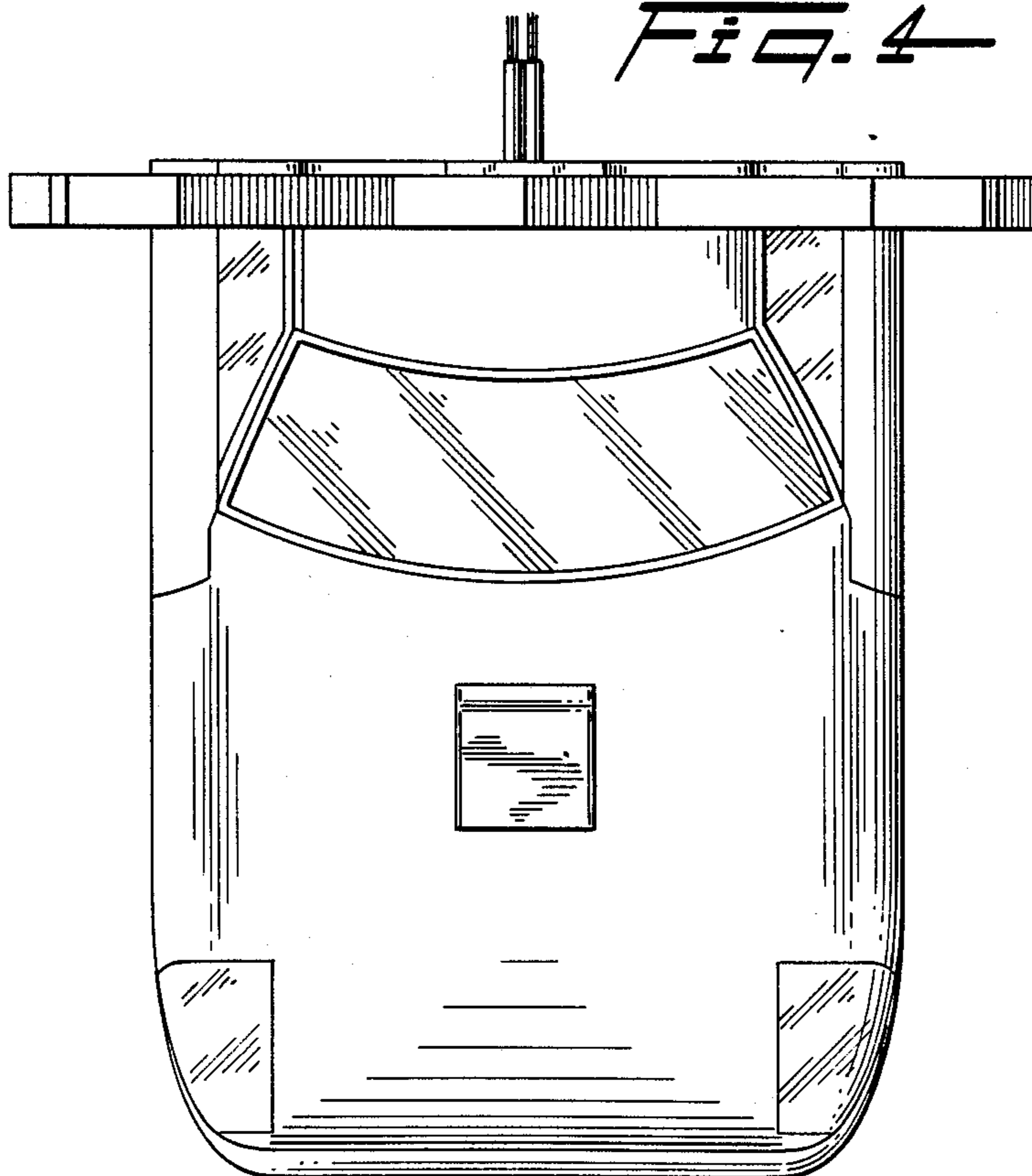


FIG. 5

