

[54] OUTDOOR LIGHT FIXTURE

[75] Inventors: Eugene D. Banathy, Skokie; Augustus B. Davis, Mundelein; David A. Carlson, Lindenhurst, all of Ill.

[73] Assignee: Intermatic Electronics, Incorporated, Spring Grove, Ill.

[**] Term: 14 Years

[21] Appl. No.: 64,775

[22] Filed: Jun. 18, 1987

[52] U.S. Cl. D26/68; D26/63

[58] Field of Search D26/67-71, D26/28, 29, 60-66; 362/431, 362, 310, 269, 275, 287, 418, 419

[56] References Cited

U.S. PATENT DOCUMENTS

D. 271,426	11/1983	Yabata	D26/29
D. 277,511	2/1985	Patel	D26/68
D. 282,010	12/1985	Ferenc	D26/28
3,263,069	7/1966	Kruck et al.	362/431

OTHER PUBLICATIONS

Intermatic Malibu Outdoor Lighting Catalog, 1987, pp. 6 & 7, Outdoor Lights LV104H, LV103, LV105, LV101CH.

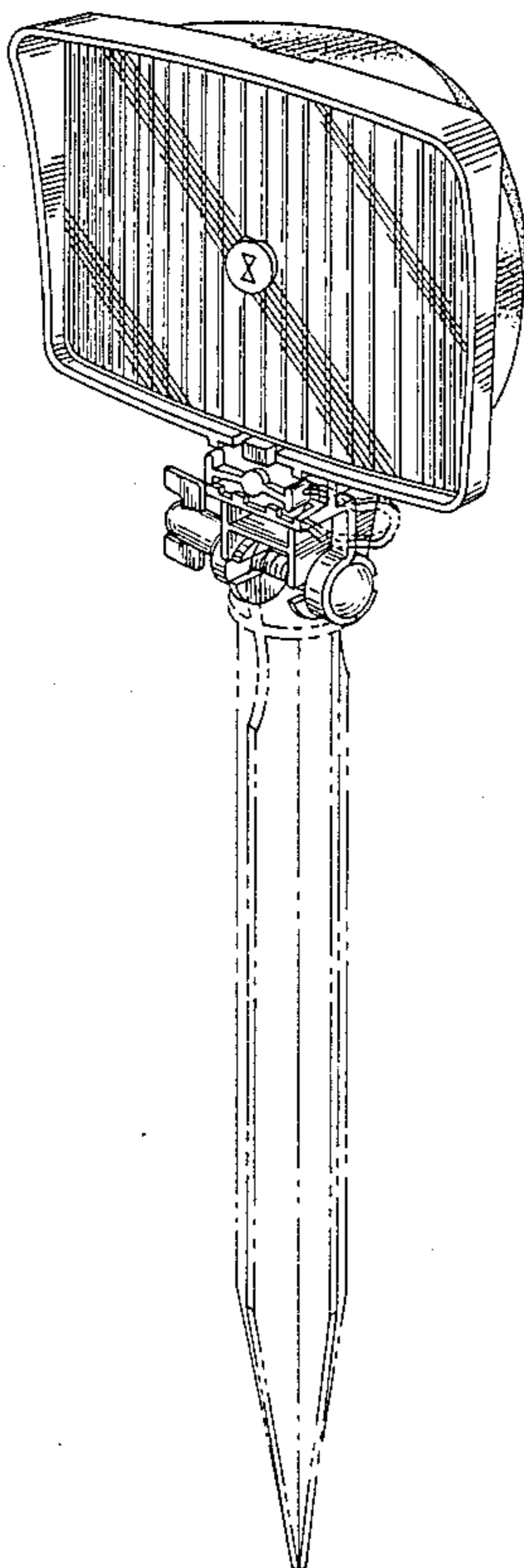
Primary Examiner—Susan J. Lucas
Attorney, Agent, or Firm—William Brinks Olds Hofer Gilson & Lione

[57] CLAIM

The ornamental design for an outdoor light fixture, as shown and described.

DESCRIPTION

FIG. 1 is a front elevational view of an outdoor light fixture showing our new design;
FIG. 2 is a right side elevational view thereof;
FIG. 3 is a left side elevational view thereof;
FIG. 4 is a rear elevational view thereof;
FIG. 5 is a top plan view thereof;
FIG. 6 is a bottom plan view thereof;
FIG. 7 is a front, right side perspective view thereof.
The broken lines are shown for illustrative purposes only.



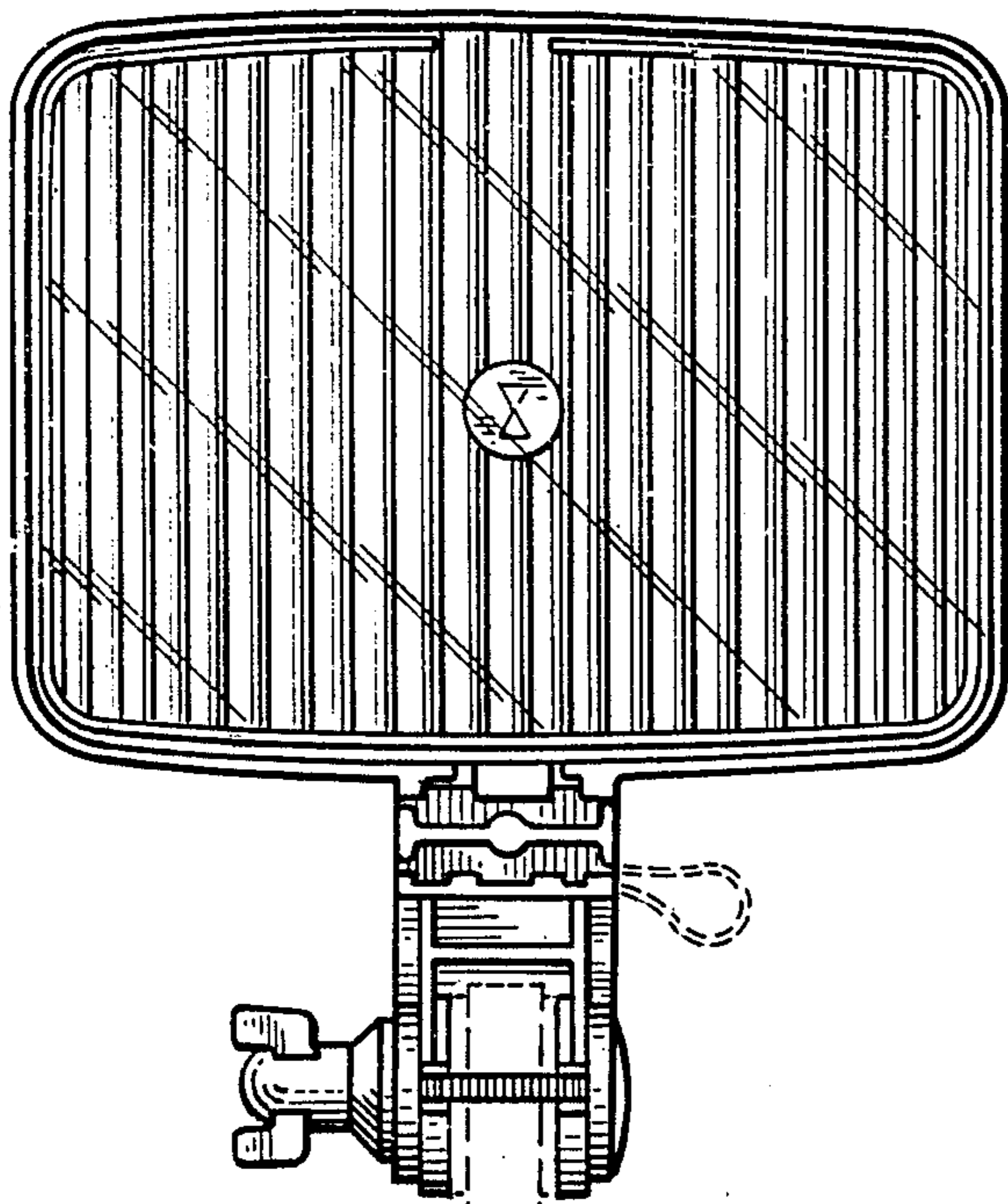


FIG. 1

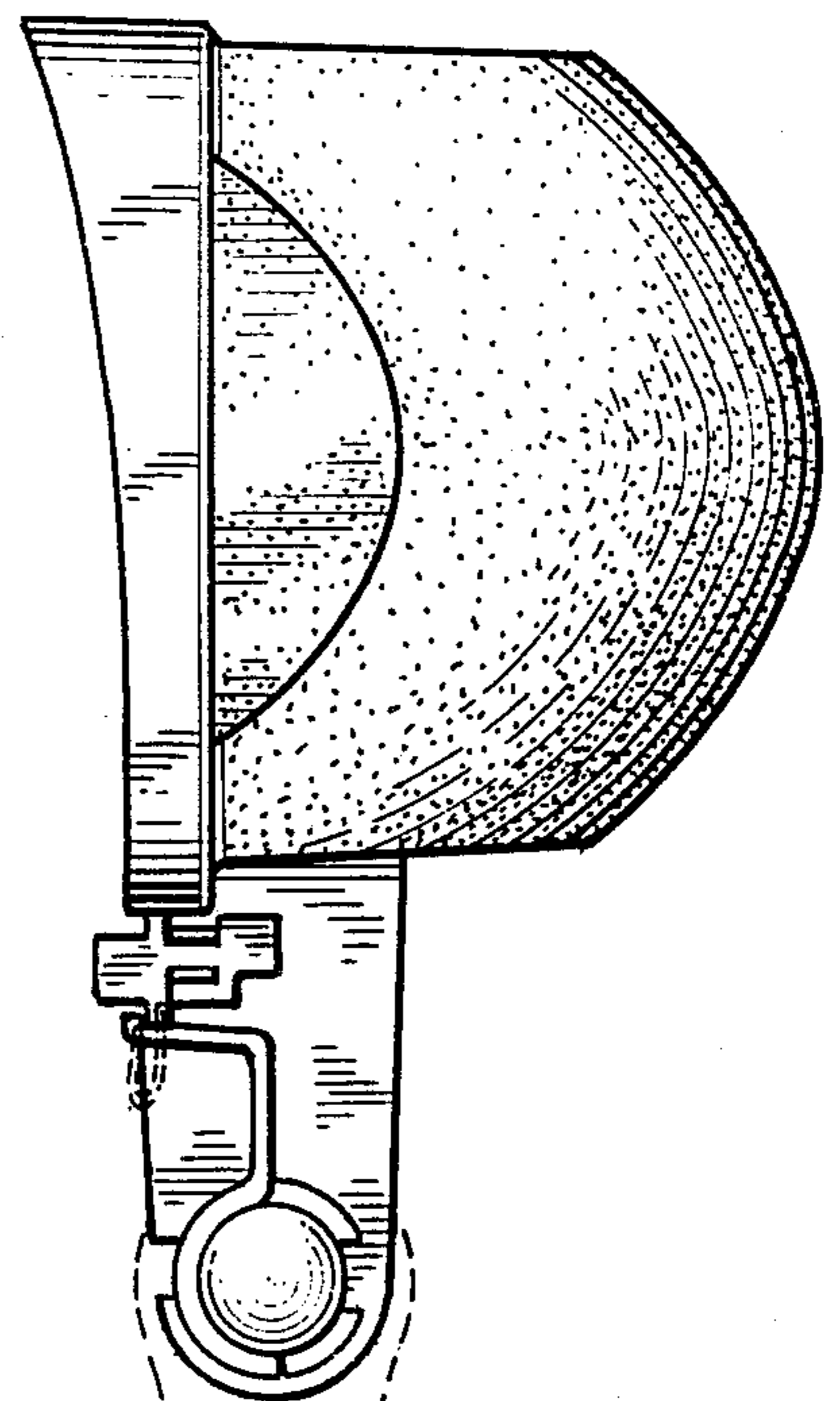


FIG. 2

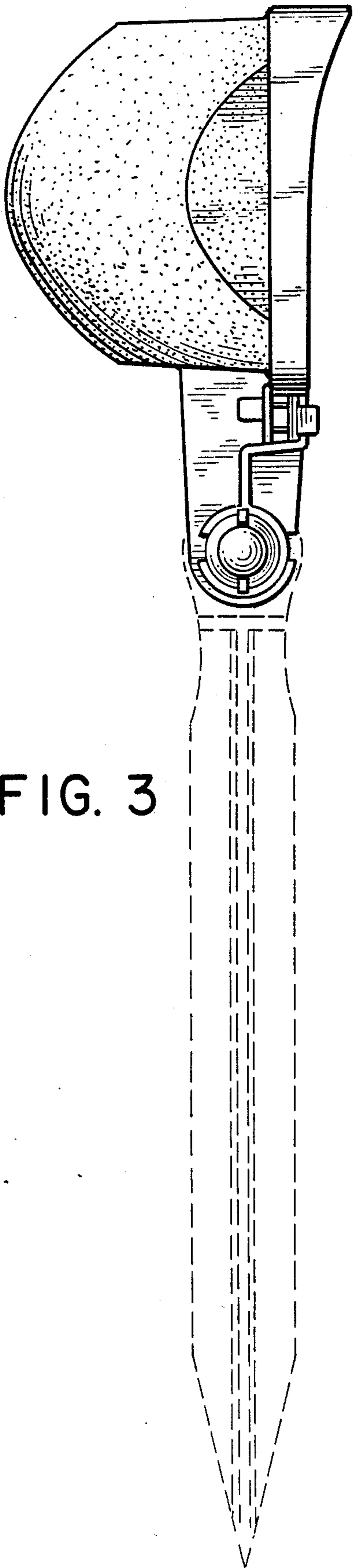


FIG. 3

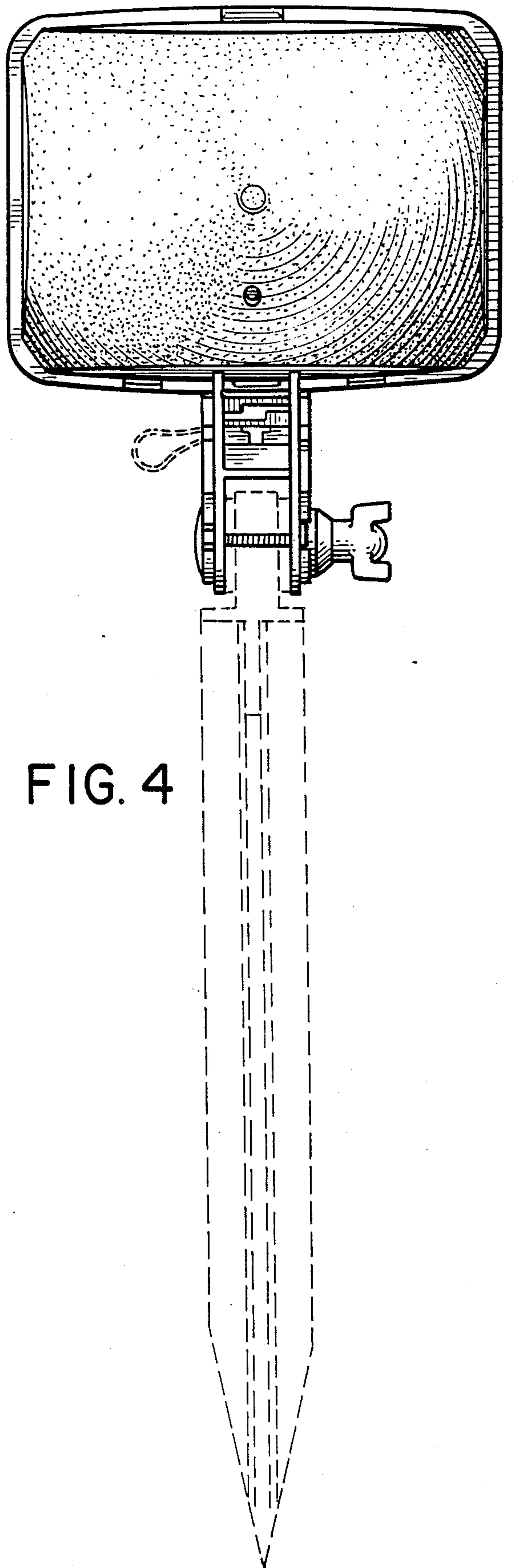


FIG. 4

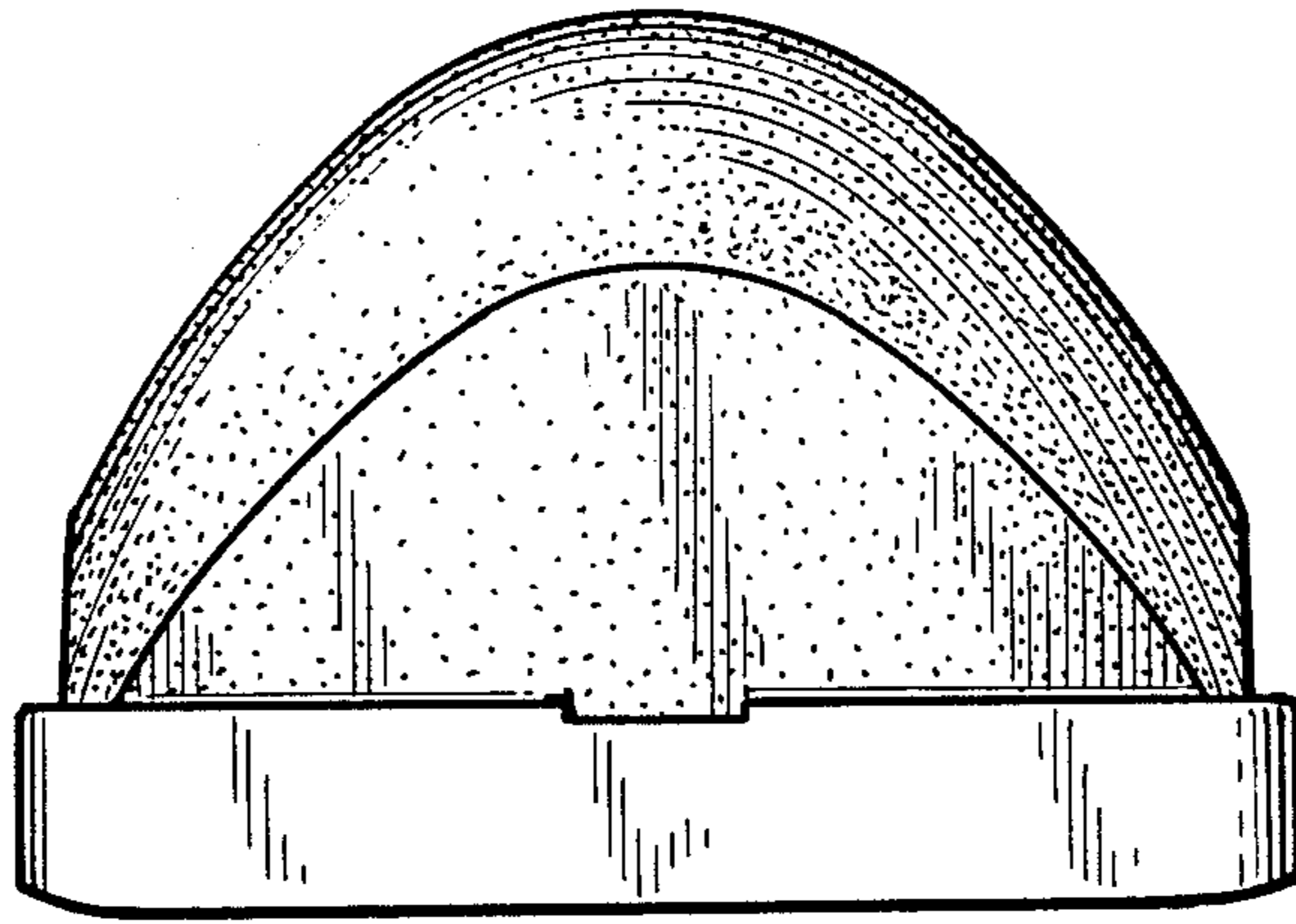


FIG. 5

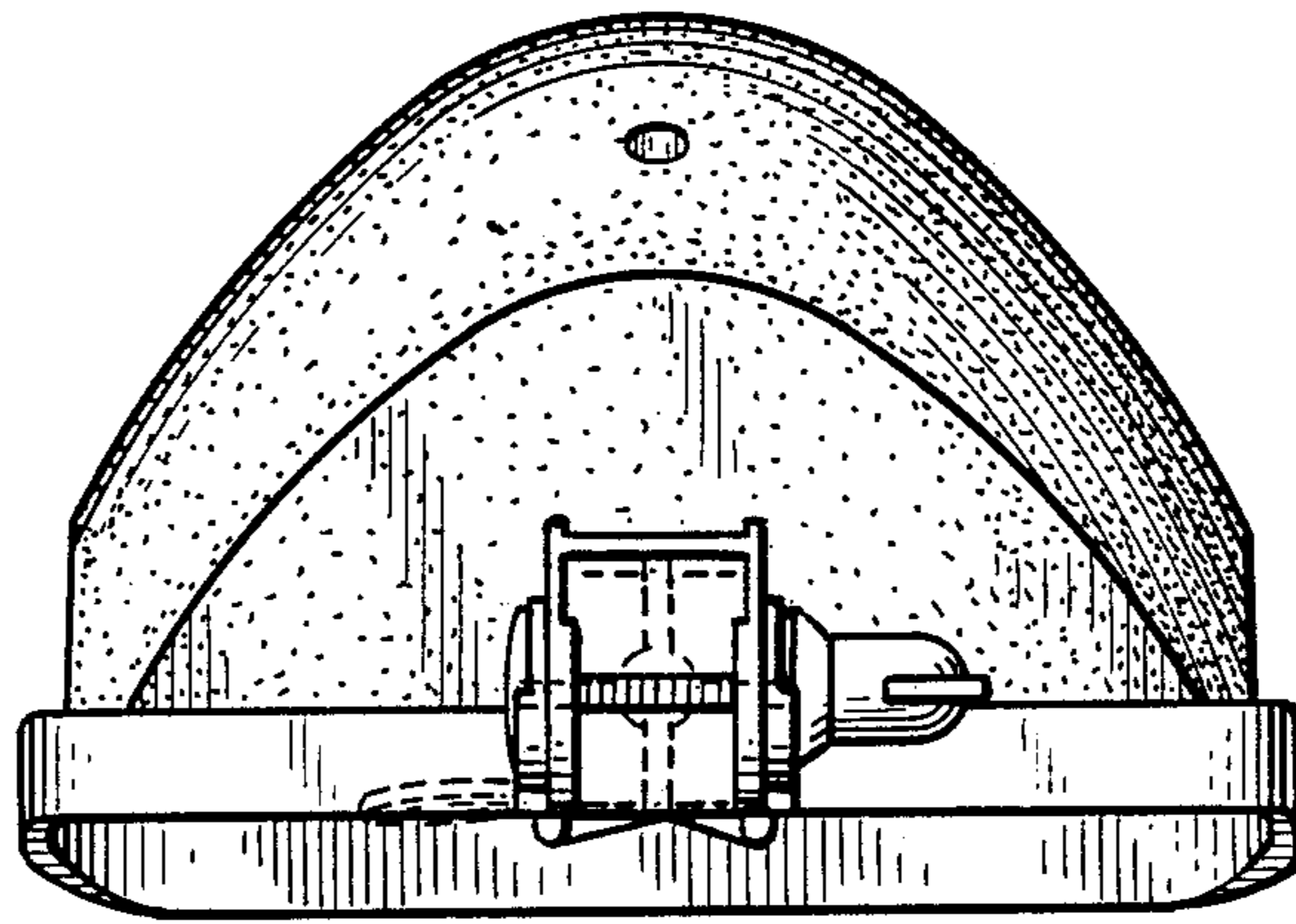


FIG. 6

FIG. 7

