

[54] LUFF LIGHT FOR A BOAT

[76] Inventor: Theodore Ziaylek, Jr., 140 Riverview Dr., Yardley, Pa. 19067

[*] Notice: The portion of the term of this patent subsequent to Mar. 20, 2004 has been disclaimed.

[**] Term: 14 Years

[21] Appl. No.: 30,784

[22] Filed: Mar. 27, 1987

[52] U.S. Cl. D26/36; D26/24

[58] Field of Search D26/28, 29, 34, 35, D26/36, 24; 362/61, 80-83.4, 267, 362, 364; 340/984

[56] References Cited

U.S. PATENT DOCUMENTS

- D. 220,780 5/1971 Newman D26/35
- D. 230,764 3/1974 La Violette D26/36
- 3,017,500 1/1962 Pezzopane 362/83
- 3,017,501 1/1962 Tantlinger D26/36 X

- 4,245,281 1/1981 Ziaylek, Jr. 362/61
- 4,300,188 11/1981 Addario 362/80 X

OTHER PUBLICATIONS

Boat Owners Asso. of the U.S., Boating Equip. Guide, 1983, p. 116, Flush Mount Transom Light.
Defender Industries, Inc., Marine Buyers' Guide, 1983, p. 72, Port Light.

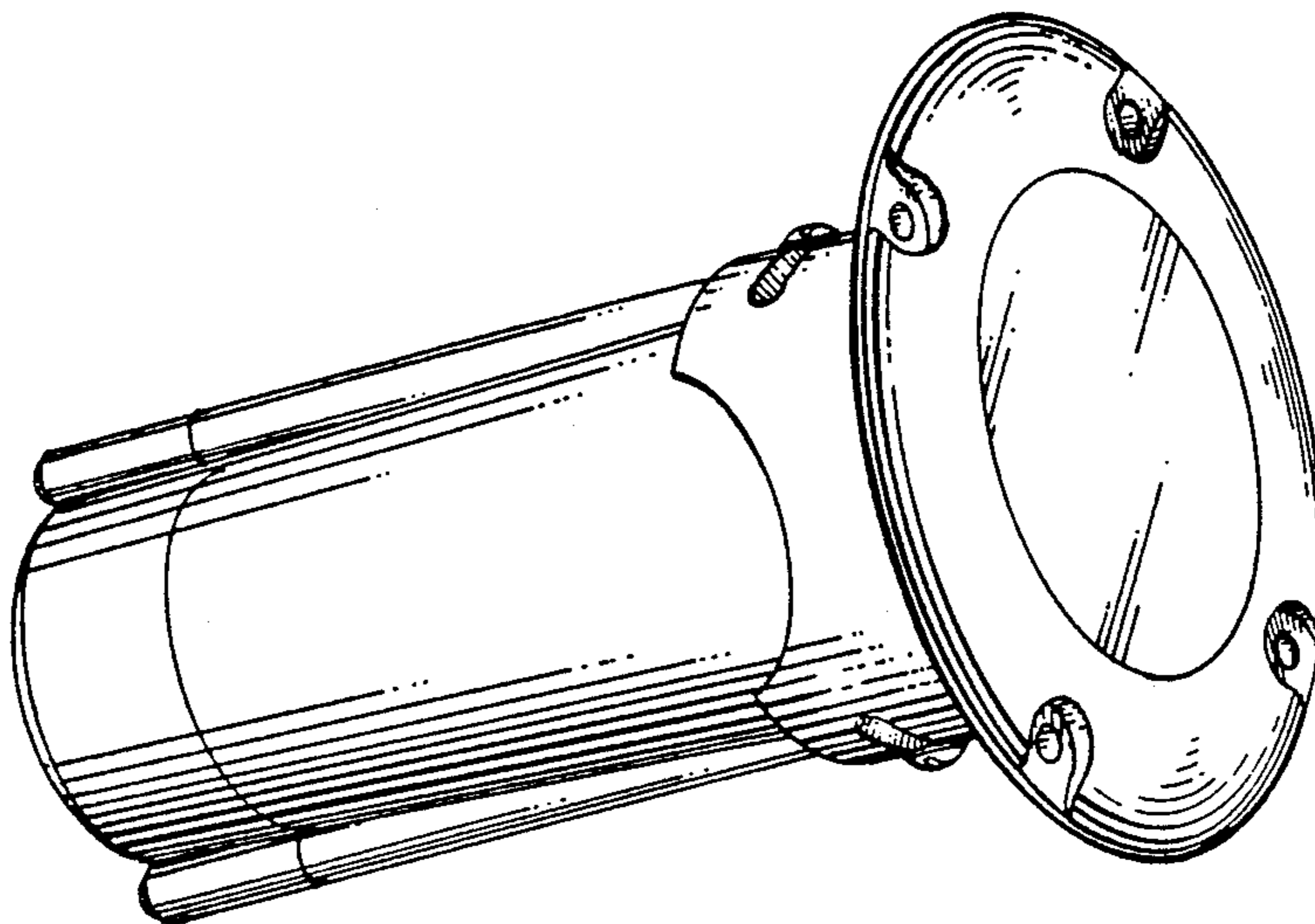
Primary Examiner—Susan J. Lucas
Attorney, Agent, or Firm—Sperry, Zoda & Kane

[57] CLAIM

The ornamental design for a luff light for a boat, as shown and described.

DESCRIPTION

FIG. 1 is a front, right side perspective view of a luff light for a boat showing my new design, the left side being a mirror image of the right side;
FIG. 2 is a bottom plan view thereof, the top being a mirror image of the bottom;
FIG. 3 is a rear elevational view thereof;
FIG. 4 is a front elevational view thereof.



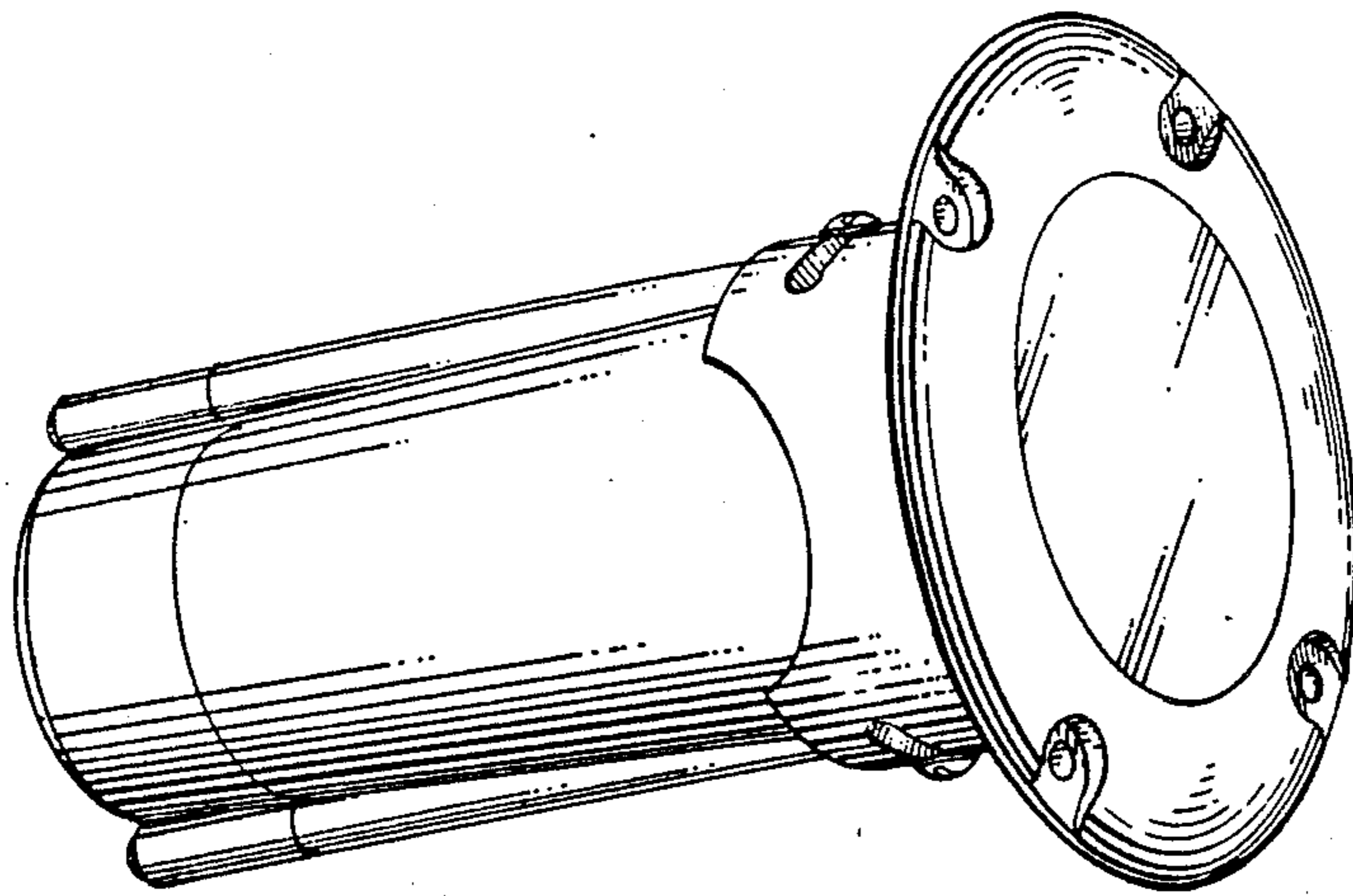


Fig. 1.

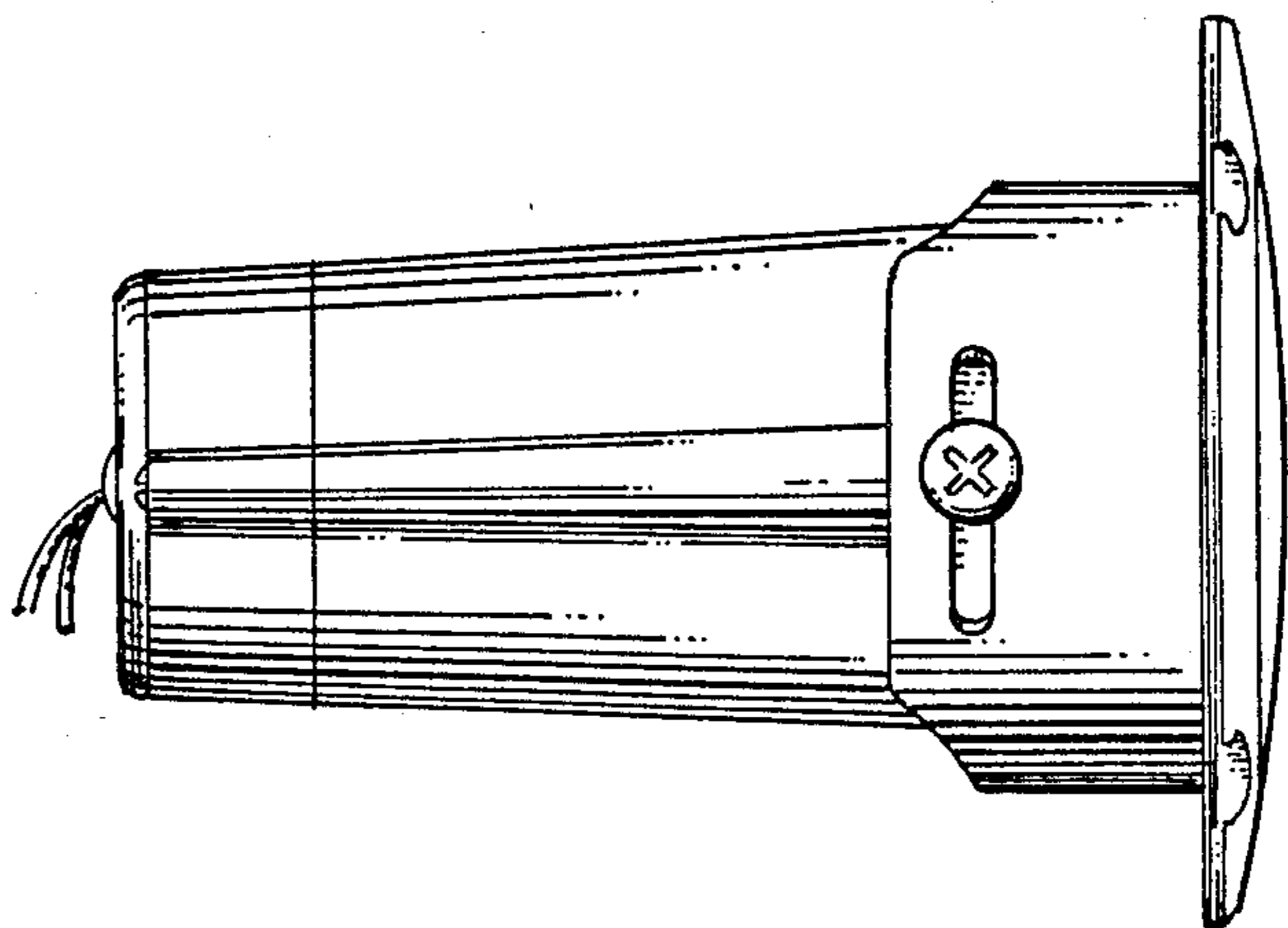


Fig. 2.

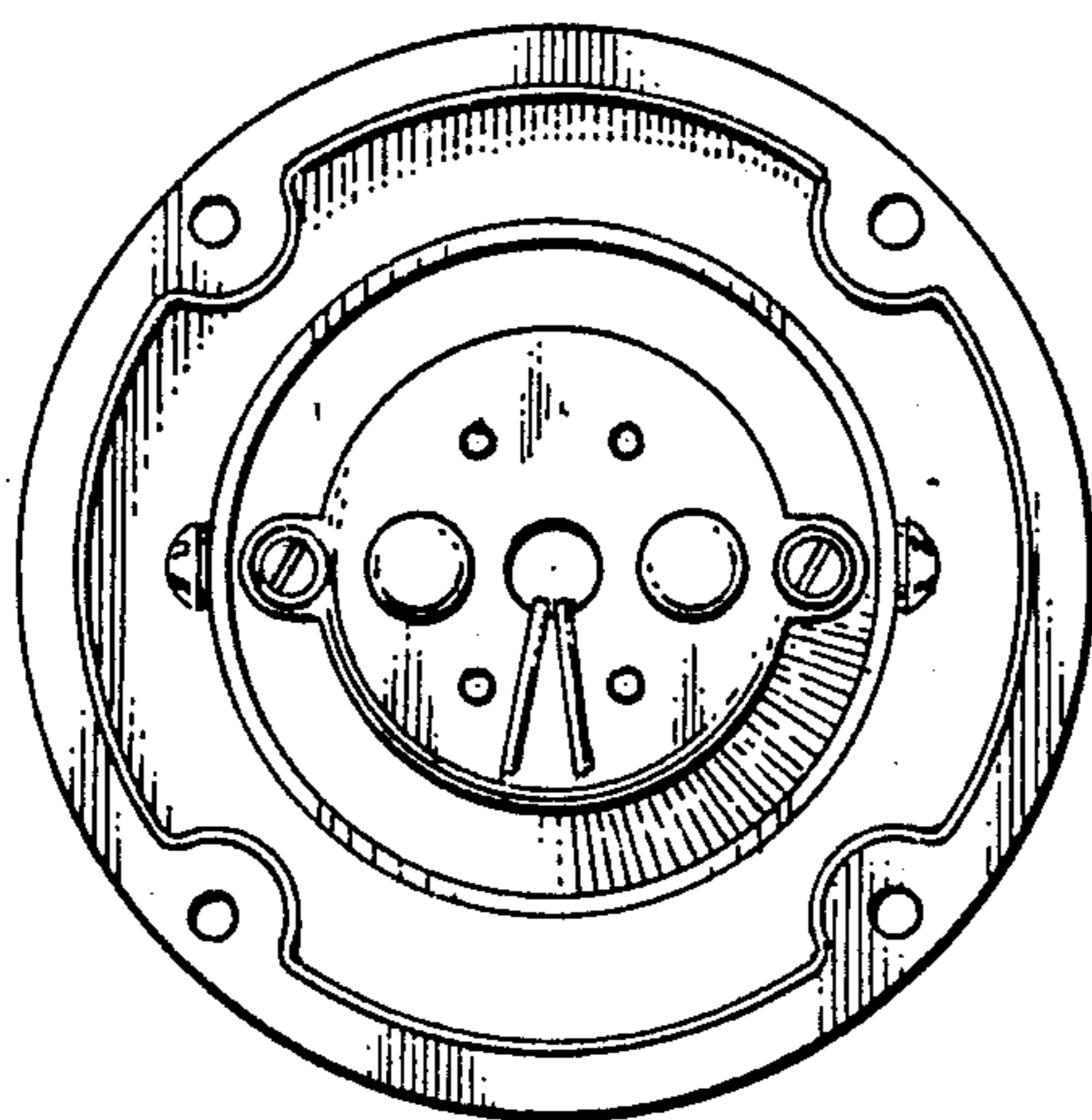


Fig. 3.

Fig. 4.

