

[54] **WINDOW COMPONENT**

[75] **Inventor: Terence Hardy, Derby, England**

[73] **Assignee: L. B. Plastics Limited, England**

[\*\*] **Term: 14 Years**

[21] **Appl. No.: 392,254**

[22] **Filed: Aug. 10, 1989**

[52] **U.S. Cl. .... D25/124**

[58] **Field of Search ..... D25/47, 52, 60, 119,  
D25/121, 122, 124; 49/DIG. 1, DIG. 2, 501,  
502, 504; 52/730, 731, 732, 738**

[56] **References Cited**

**U.S. PATENT DOCUMENTS**

D. 285,612 9/1986 Slocomb, Jr. .... D25/124  
D. 299,968 2/1989 Hardy ..... D25/124  
4,004,373 1/1977 Eschbach et al. .... 49/501

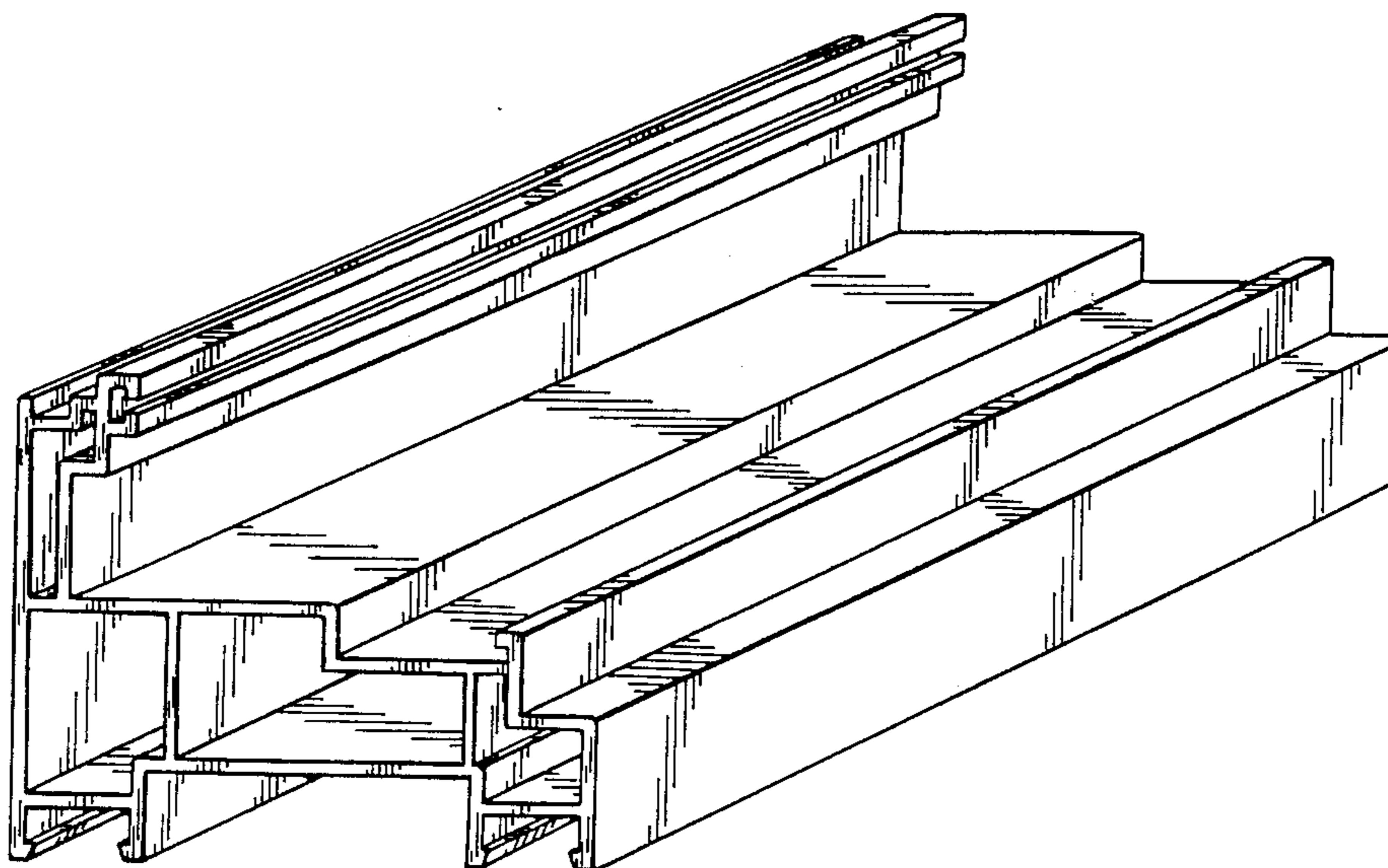
*Primary Examiner*—A. Hugo Word  
*Assistant Examiner*—Doris Clark  
*Attorney, Agent, or Firm*—W. Thad Adams, III

[57] **CLAIM**

The ornamental design of a window component, as shown and described.

**DESCRIPTION**

FIG. 1 is a perspective view of a window component showing my new design; and FIG. 2 is an end elevational view thereof. The component is of indefinite length and of constant cross-section throughout.



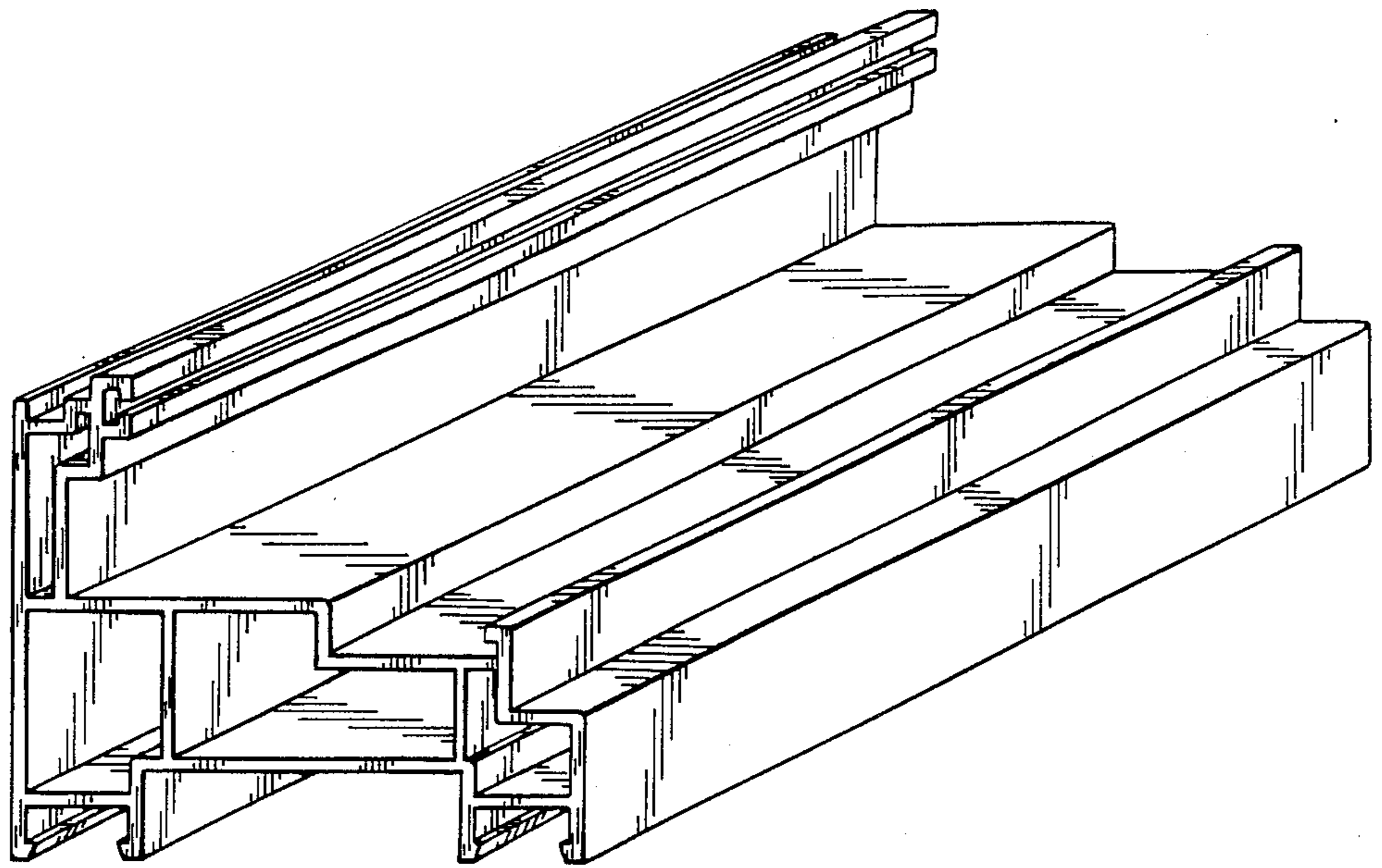


FIG. 1

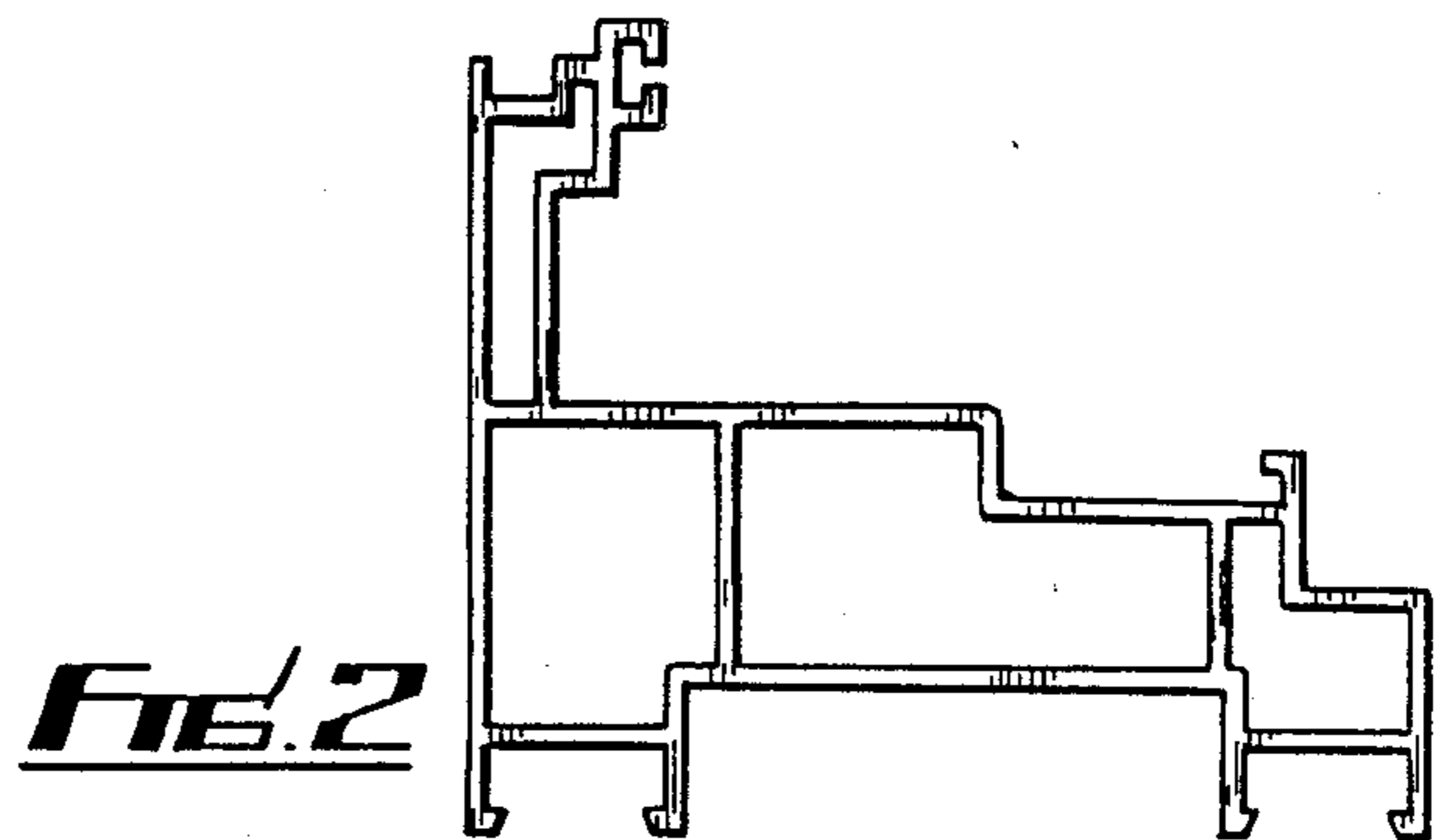


FIG. 2