

[54] **WINDOW COMPONENT**

[75] **Inventor: Terence Hardy, Nether Heage, England**

[73] **Assignee: L. B. Plastics Limited, England**

[**] **Term: 14 Years**

[21] **Appl. No.: 392,253**

[22] **Filed: Aug. 10, 1989**

[52] **U.S. Cl. D25/124**

[58] **Field of Search D25/52, 60, 47, 119, D25/121, 122, 124; 49/DIG. 1, DIG. 2, 501, 502, 504; 52/730, 732, 731, 738**

[56] **References Cited**

U.S. PATENT DOCUMENTS

D. 289,552 4/1987 Hardy D25/124
D. 299,967 2/1989 Litchfield D25/124
4,328,644 5/1982 Scott et al. 49/501

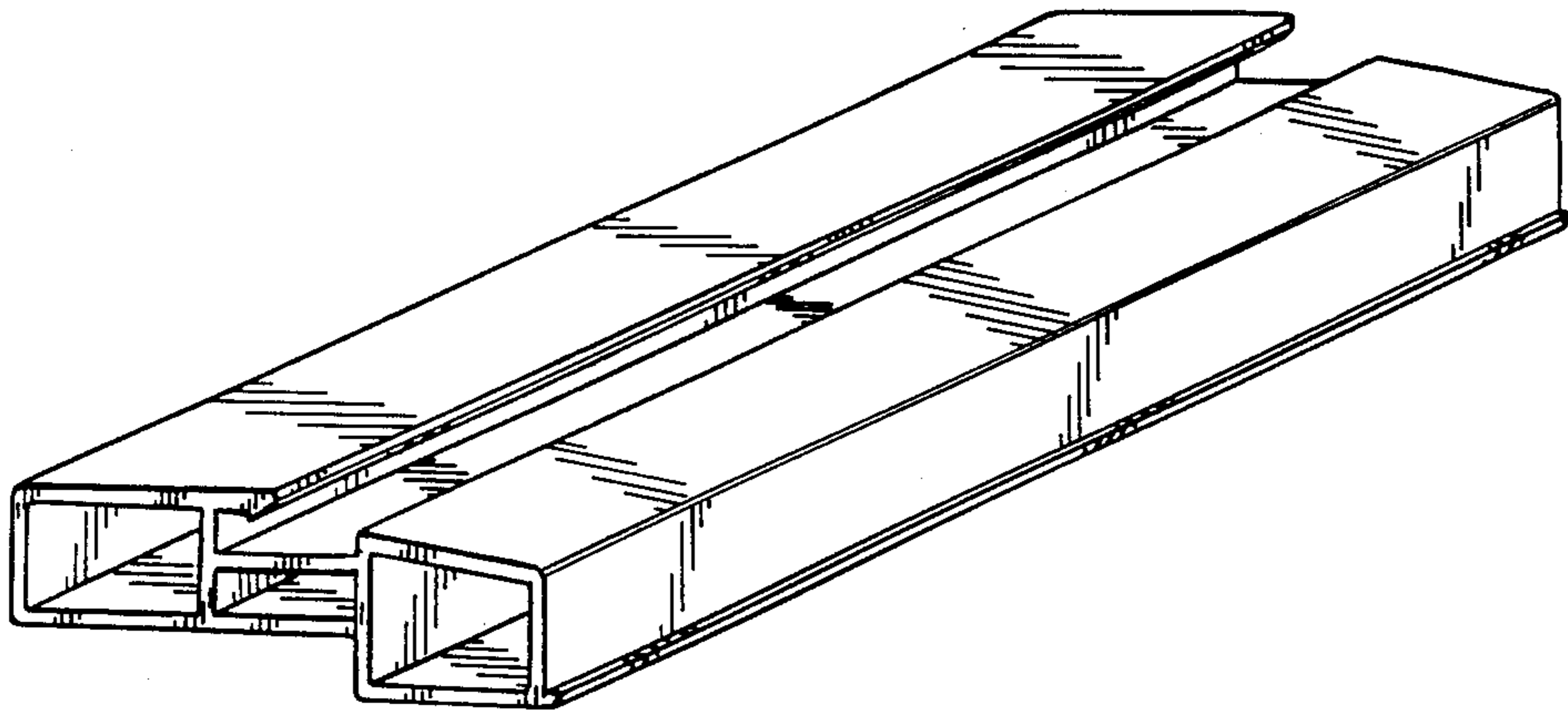
Primary Examiner—A. Hugo Word
Assistant Examiner—Doris Clark
Attorney, Agent, or Firm—W. Thad Adams, III

[57] **CLAIM**

The ornamental design of a window component, as shown and described.

DESCRIPTION

FIG. 1 is a perspective view of a window component showing my new design; and FIG. 2 is an end elevational view thereof. The component is of indefinite length and of constant cross-section throughout.



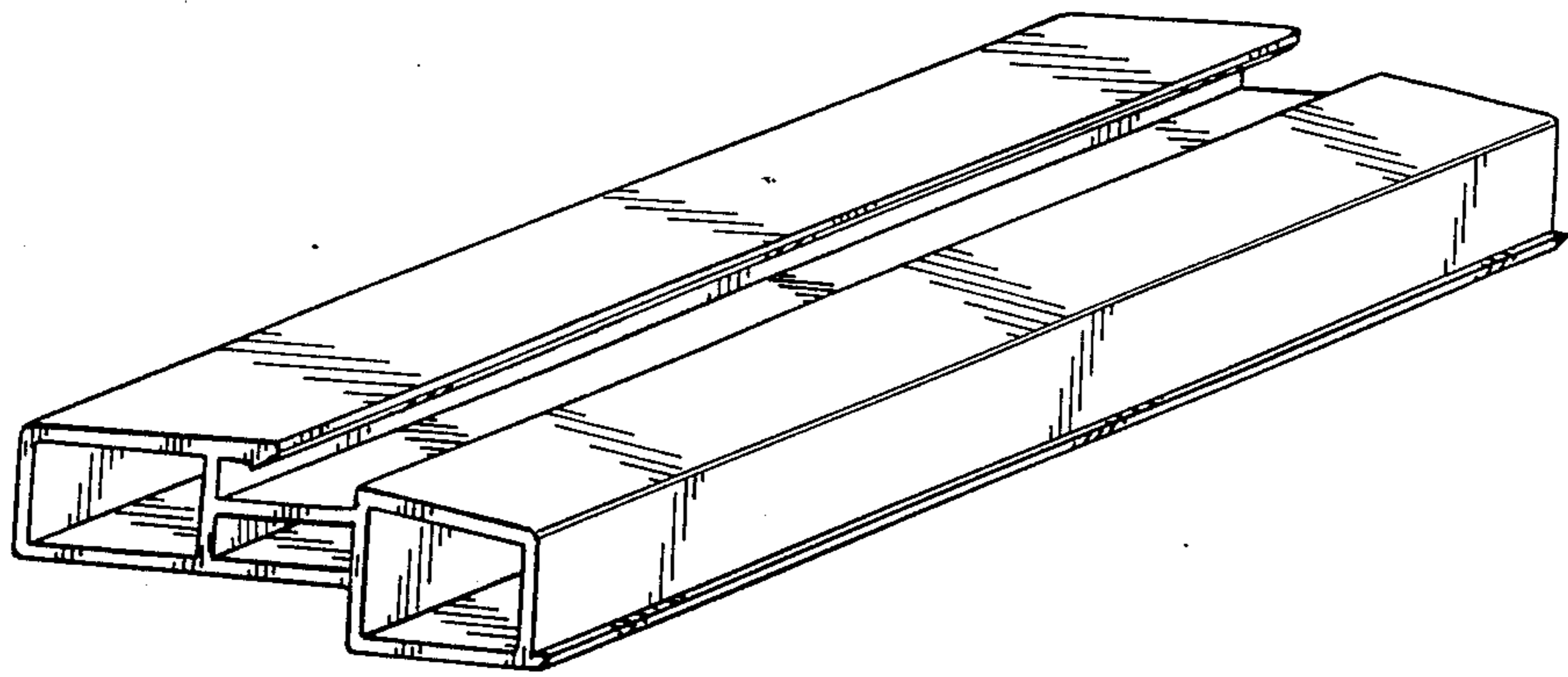


FIG. 1

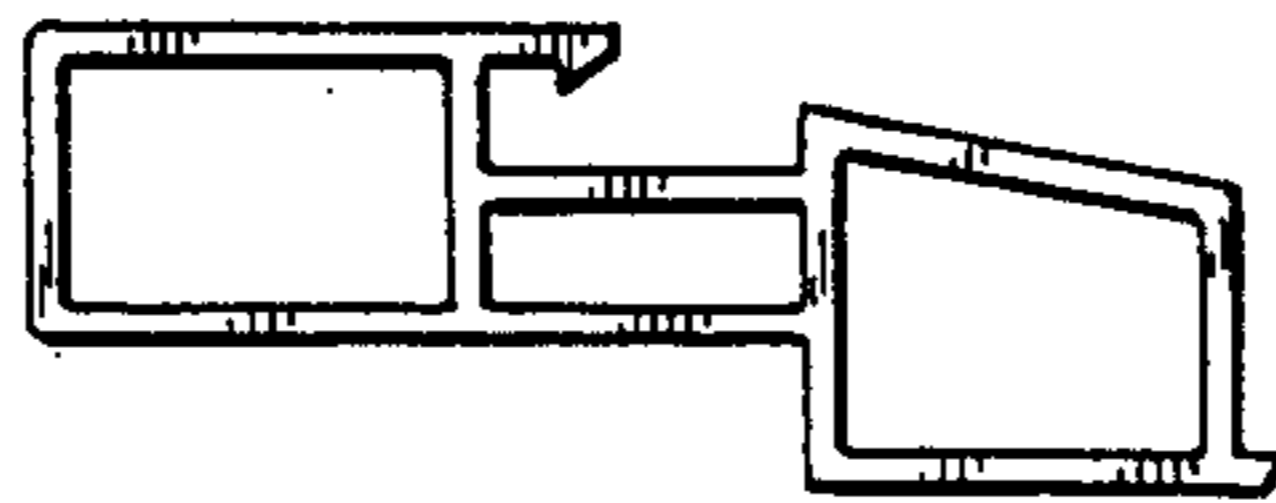


FIG. 2