

United States Patent [19]

Westphal et al.

[11] Patent Number: **Des. 308,103**

[45] Date of Patent: **** May 22, 1990**

[54] **WINDOW COMPONENT EXTRUSION**

[75] Inventors: **Dennis Westphal, Galva; Jonathan Piles, McPherson, both of Kans.**

[73] Assignee: **CertainTeed Corporation, Valley Forge, Pa.**

[**] Term: **14 Years**

[21] Appl. No.: **246,187**

[22] Filed: **Sep. 19, 1988**

[52] U.S. Cl. **D25/124**

[58] Field of Search **D25/119, 121, 122, 124, D25/47, 52, 60; 49/DIG. 1, DIG. 2, 501, 502, 504; 52/730, 731, 732, 738**

[56] **References Cited**

U.S. PATENT DOCUMENTS

D. 216,956 3/1970 Dallaire D25/52
D. 300,370 3/1989 Reisinger et al. D25/124
3,334,463 8/1967 Muesel D25/124
4,040,219 8/1977 Budich 52/732

Primary Examiner—A. Hugo Word

Assistant Examiner—Doris Clark

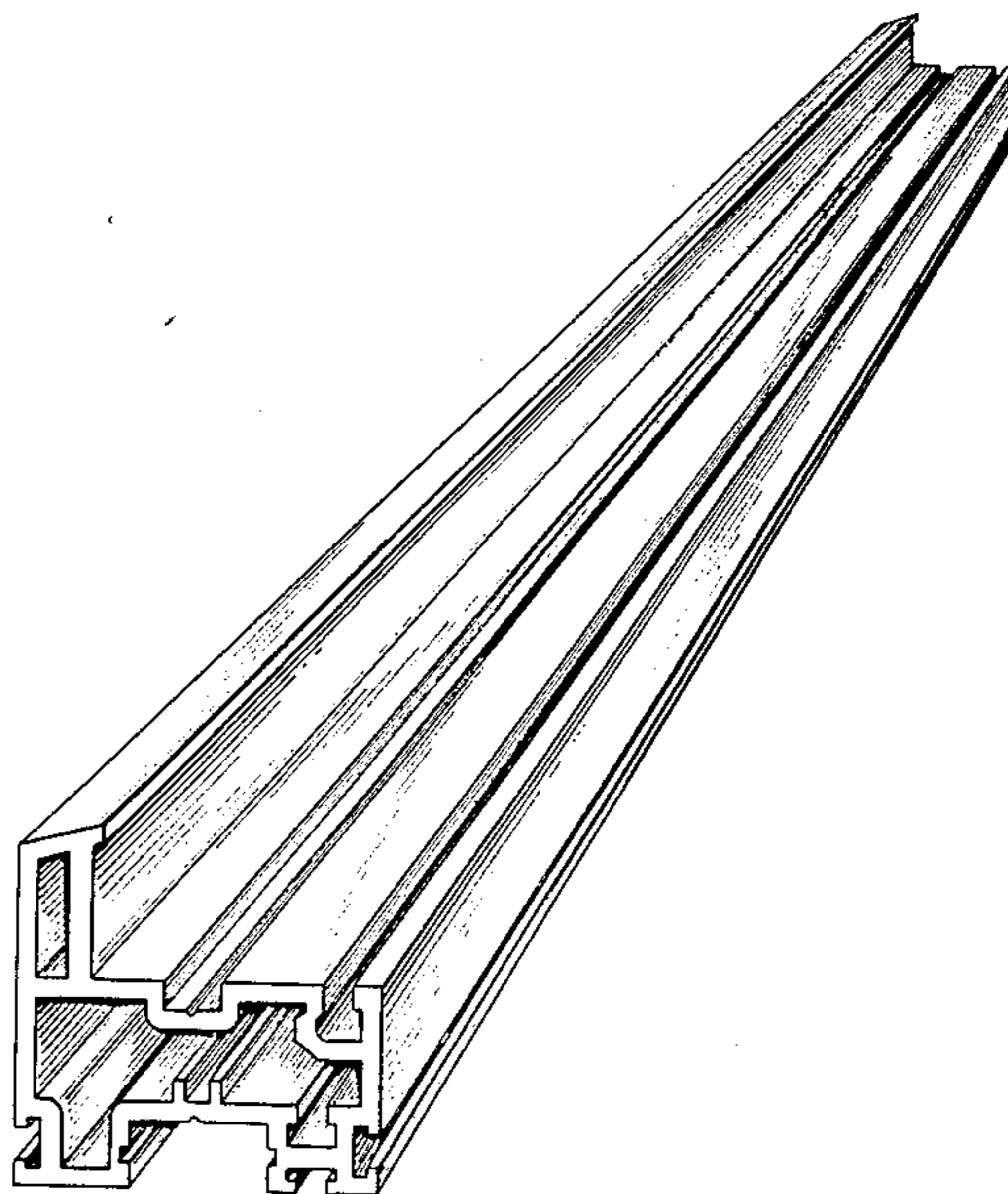
Attorney, Agent, or Firm—Paul & Paul

[57] **CLAIM**

The ornamental design for a window component extrusion, as shown and described.

DESCRIPTION

The FIGURE is a front perspective view of a window component extrusion showing our new design, the rear perspective view being a mirror image thereof.



U.S. Patent

May 22, 1990

D308,103

