

[54] BULLET COLLATOR FOR SHELL RELOADING OPERATIONS

[76] Inventor: Ralph D. Pickens, 49162 McCoy Ave., East Liverpool, Ohio 43920

[**] Term: 14 Years

[21] Appl. No.: 49,780

[22] Filed: May 15, 1987

[52] U.S. Cl. D25/116

[58] Field of Search 86/23, 24, 25, 27, 28, 86/31, 36, 37, 38, 43, 45, 46; D22/116; D15/147; 209/684, 687, 702, 705, 929, 919

[56] References Cited

U.S. PATENT DOCUMENTS

2,031,850	2/1936	Peterson	86/23
3,058,387	10/1962	Hoyer	86/27
3,097,560	7/1963	Etal	86/27
3,157,086	11/1964	Bachhuber	86/27
3,656,517	4/1972	Taylor et al.	86/31
4,116,109	9/1978	Ervine	86/23
4,522,102	6/1985	Pickens	86/28

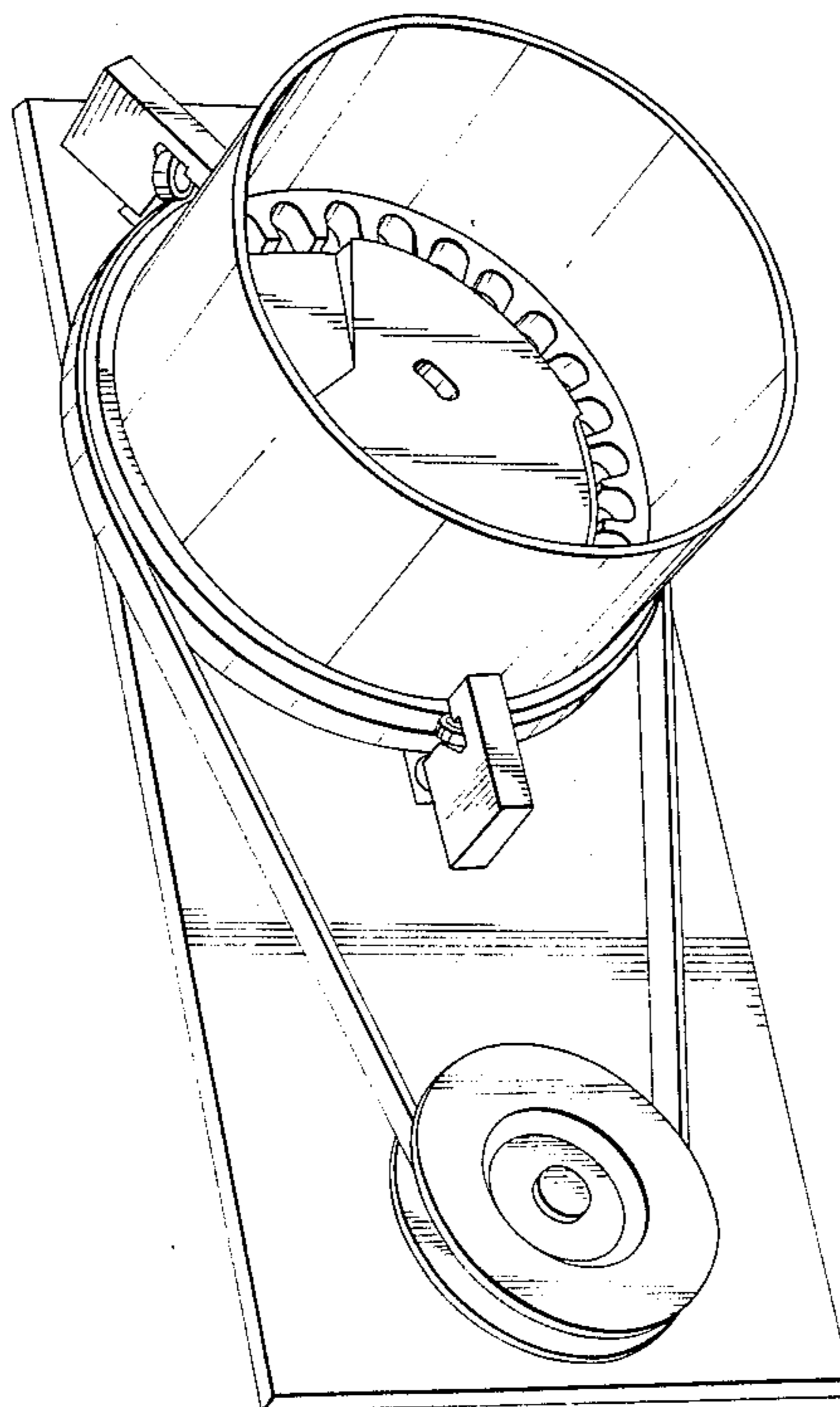
Primary Examiner—A. Hugo Word
Assistant Examiner—Doris Clark
Attorney, Agent, or Firm—Frederic E. Naragon

[57] CLAIM

The ornamental design for a bullet collator for shell reloading operations, as shown.

DESCRIPTION

FIG. 1 is a perspective view of a bullet collator for shell reloading operations showing my new design; FIG. 2 is a perspective view of a bullet collator ring and rejecter plate illustrated within FIG. 1; FIG. 3 is a top plan view of a rejecter plate illustrated within FIGS. 1 and 2; FIG. 4 is an end elevational view of a rejecter plate illustrated within FIGS. 1 and 2; FIG. 5 is an opposite end elevational view of a rejecter plate illustrated in FIGS. 1 and 2; FIG. 6 is a top plan view of a bullet collator for shell reloading operations; and, FIG. 7 is a side elevational view of the bullet collator of FIG. 1.



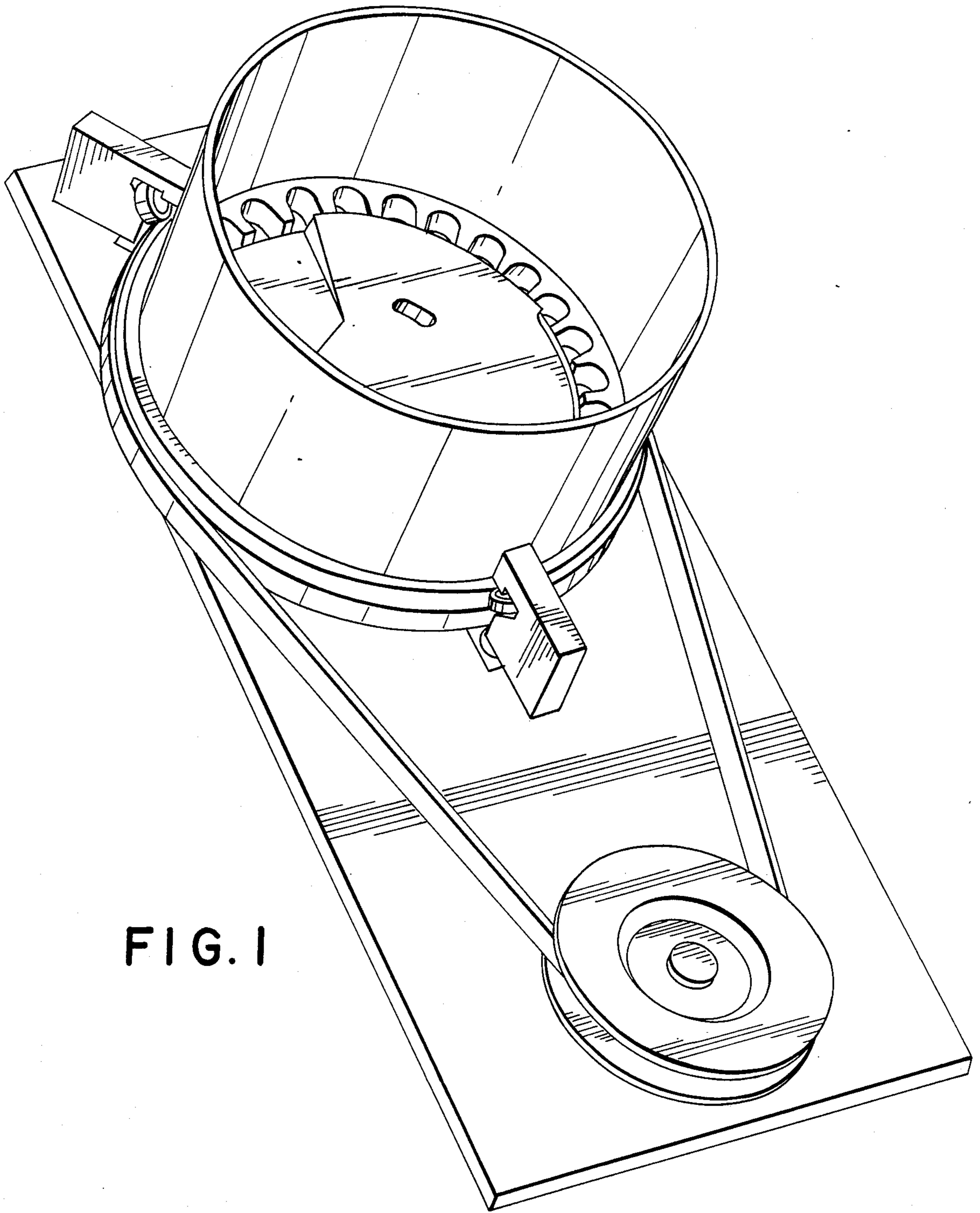


FIG. 1

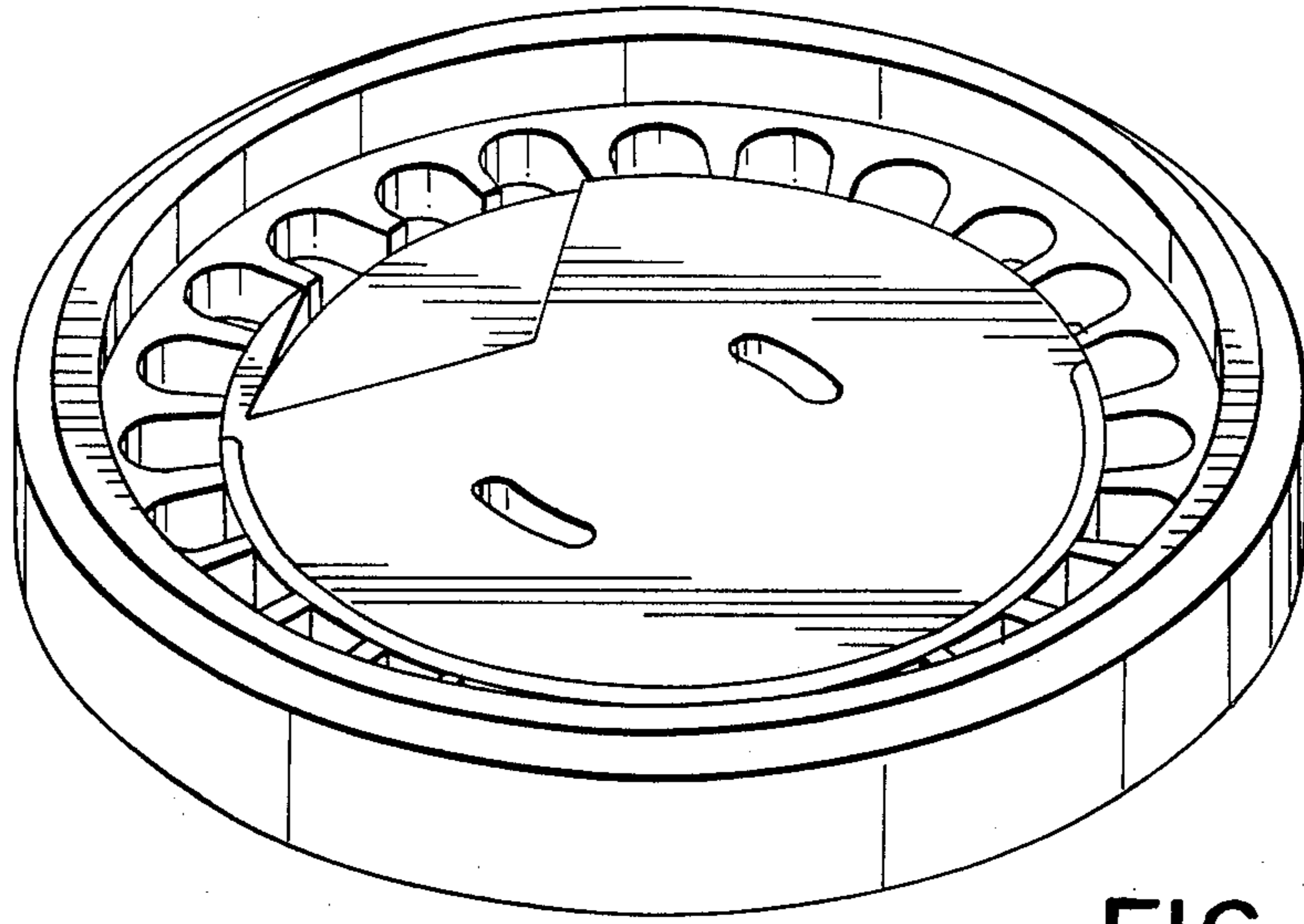


FIG. 2

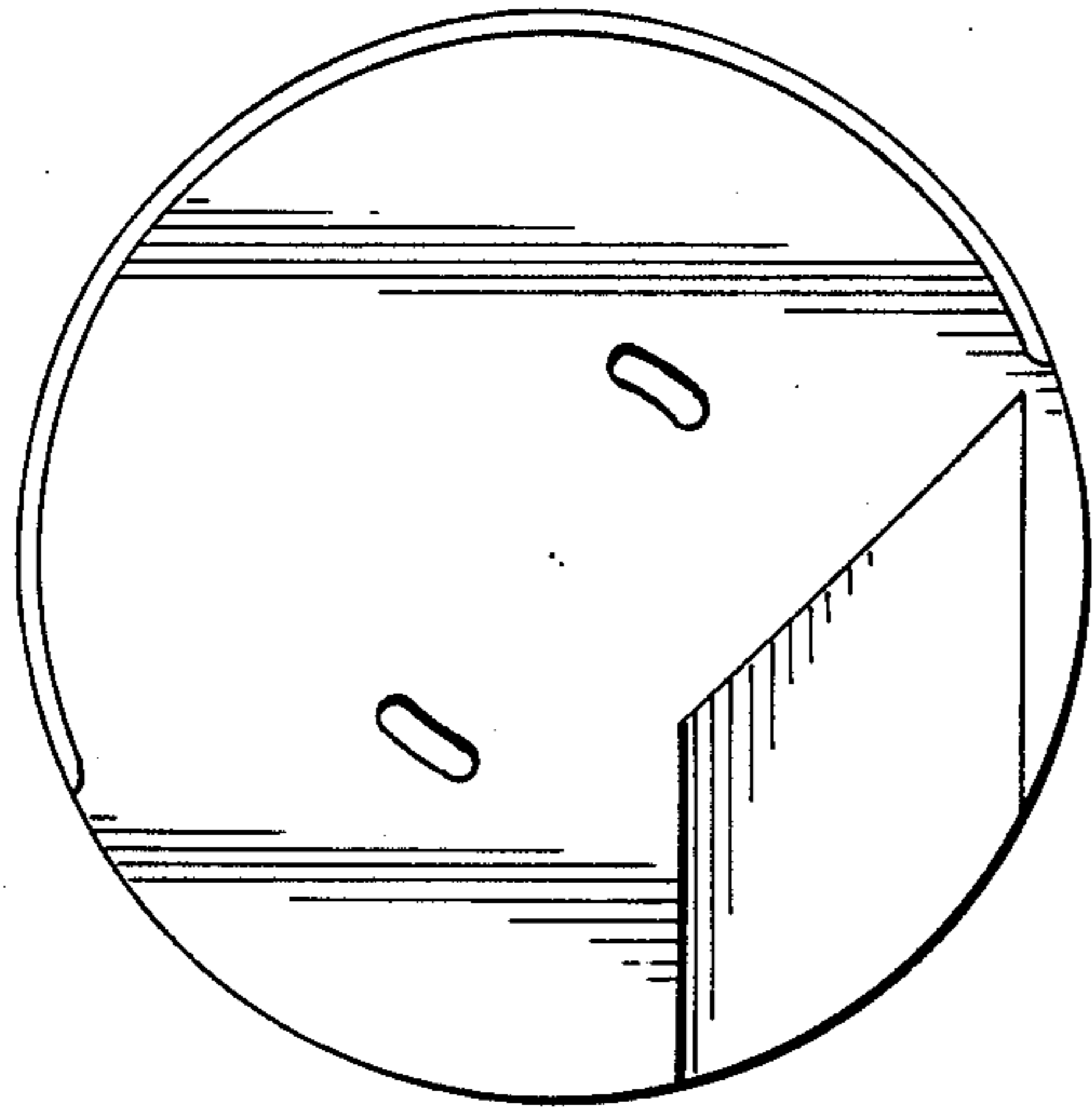


FIG. 3

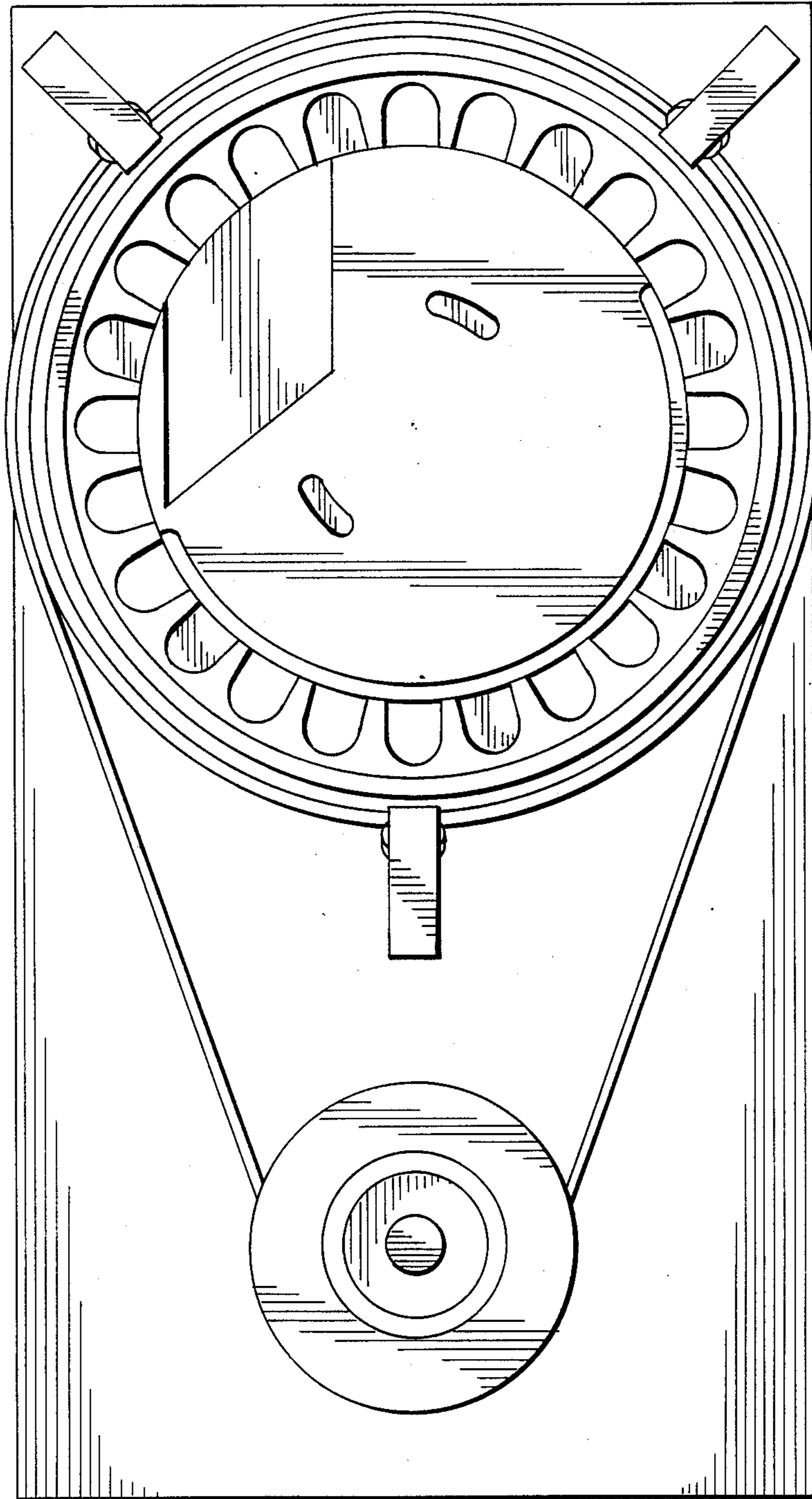


FIG. 5



FIG. 4

FIG. 6



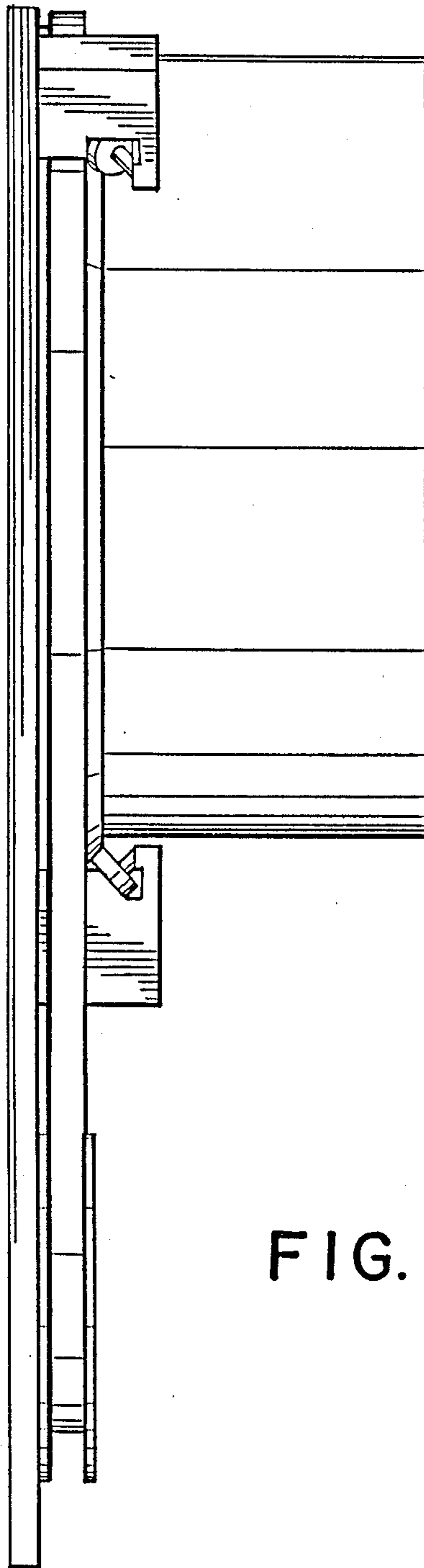


FIG. 7