

[54] NASAL SPRAY PUMP

4,620,646 11/1986 Crapser .
4,640,443 2/1987 Corsette .

[75] Inventors: Keith A. Bishop, River Vale; William S. Blake, Linwood, both of N.J.

FOREIGN PATENT DOCUMENTS

[73] Assignee: Schering Corporation, Kenilworth, N.J.

0090659 10/1983 European Pat. Off. .
3225910 1/1984 Fed. Rep. of Germany .
3315334 10/1984 Fed. Rep. of Germany .
2450640 11/1980 France .
2570000 3/1986 France .
1085060 9/1967 United Kingdom .

[**] Term: 14 Years

[21] Appl. No.: 90,734

Primary Examiner—A. Hugo Word
Assistant Examiner—Stella M. Reid
Attorney, Agent, or Firm—James R. Nelson; Stephen I. Miller; John J. Maitner

[22] Filed: Aug. 28, 1987

[52] U.S. Cl. D24/62

[58] Field of Search D24/62; 128/200.14,
128/200.23, 200.18, 203.15, 203.24; 222/103,
105, 153

[57] CLAIM

The ornamental design for a nasal spray pump, as shown.

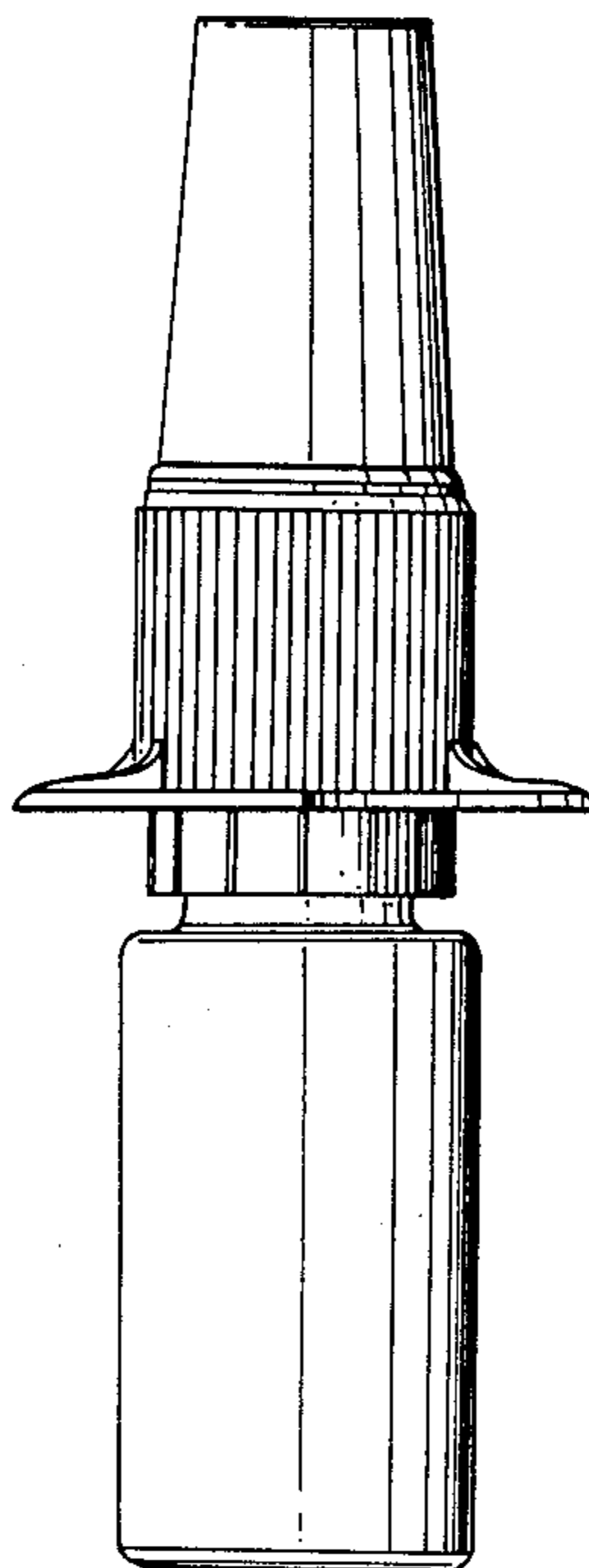
[56] References Cited

U.S. PATENT DOCUMENTS

- D. 187,573 3/1960 Sagarin D24/62
- D. 295,787 5/1988 Hegemann et al. D24/62
- 2,831,613 4/1958 Soffer .
- 2,906,265 9/1959 Samuels 128/200.23
- 3,841,533 10/1974 Carroll et al. .
- 4,162,746 7/1979 Anderson et al. .
- 4,496,082 1/1985 Corsette .
- 4,565,302 1/1986 Pfeiffer et al. .

DESCRIPTION

FIG. 1 is a front elevational view of a nasal spray pump showing our new design, the rear elevational view being identical thereto;
FIG. 2 is a left side elevational view thereof, the right side elevational view being identical thereof;
FIG. 3 is a top plan view thereof; and
FIG. 4 is a bottom plan view thereof.



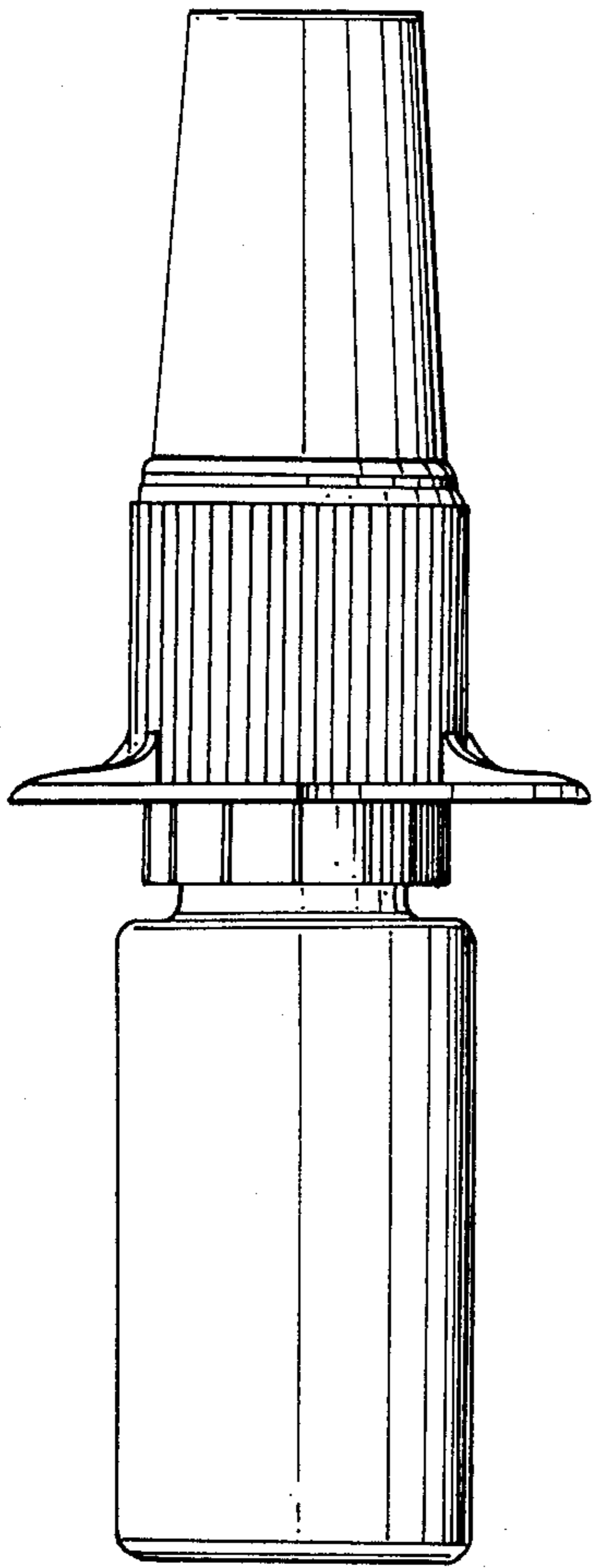


FIG. 1

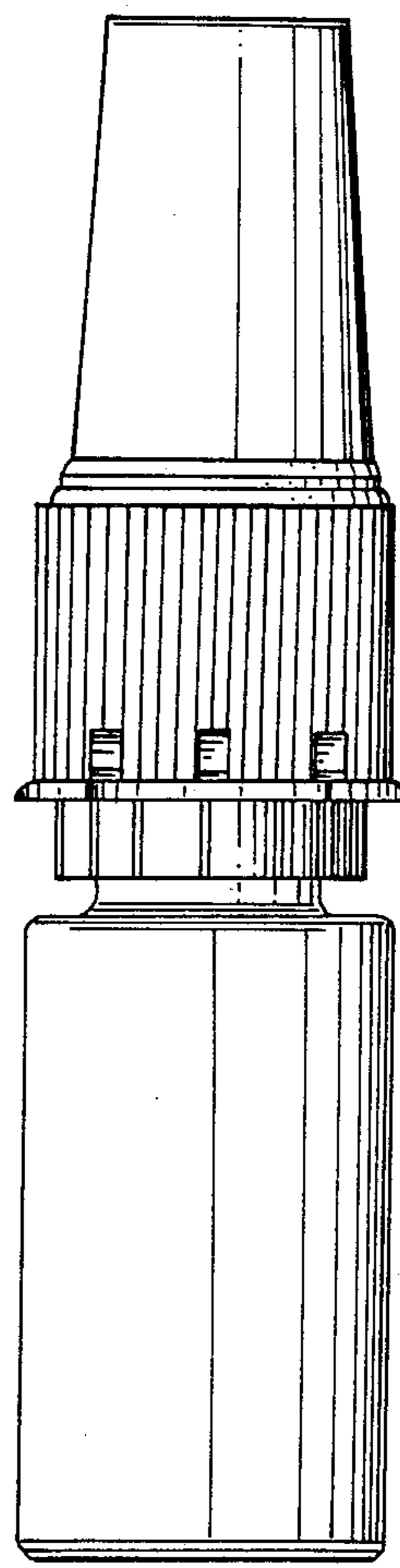


FIG. 2

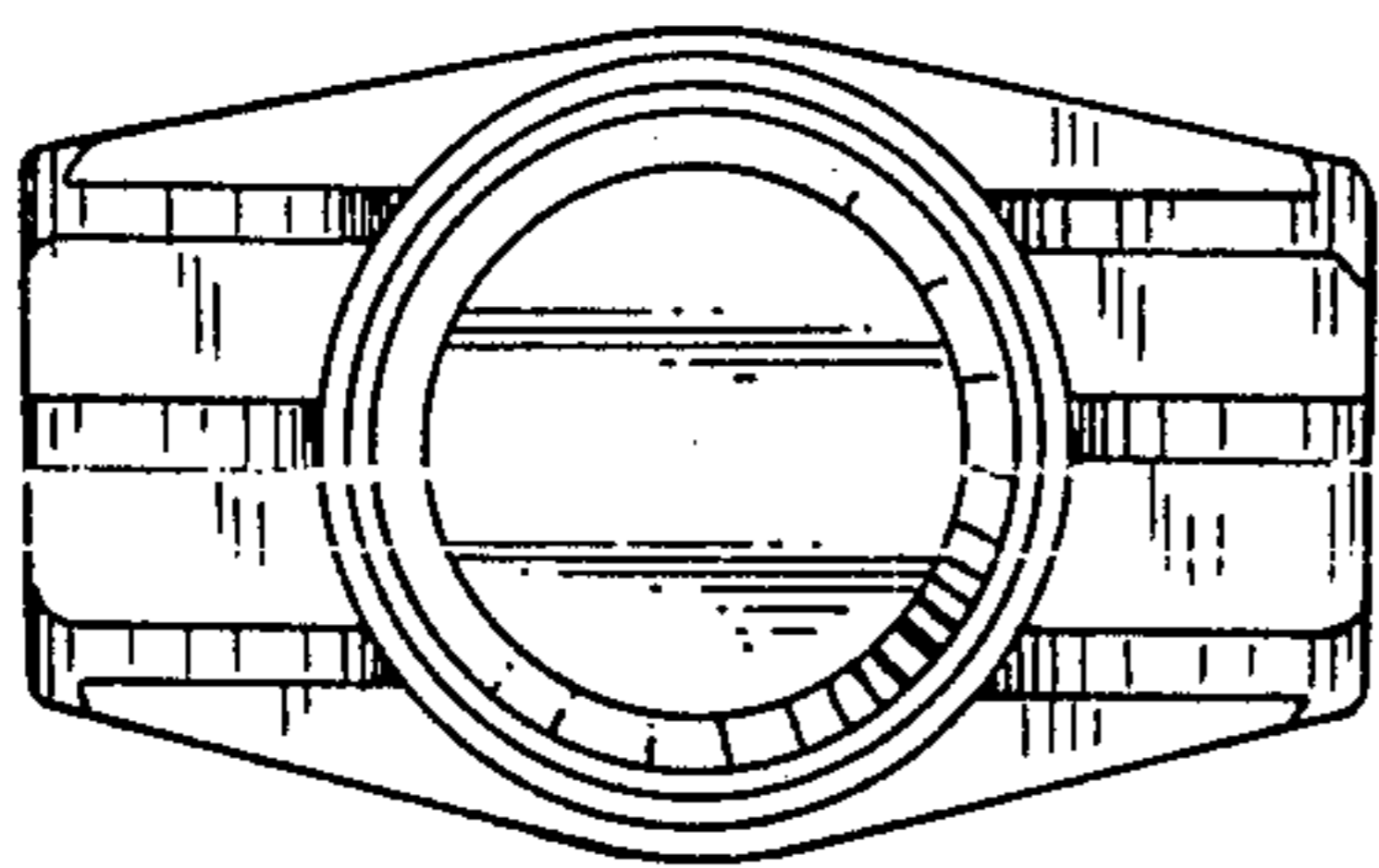


FIG. 3

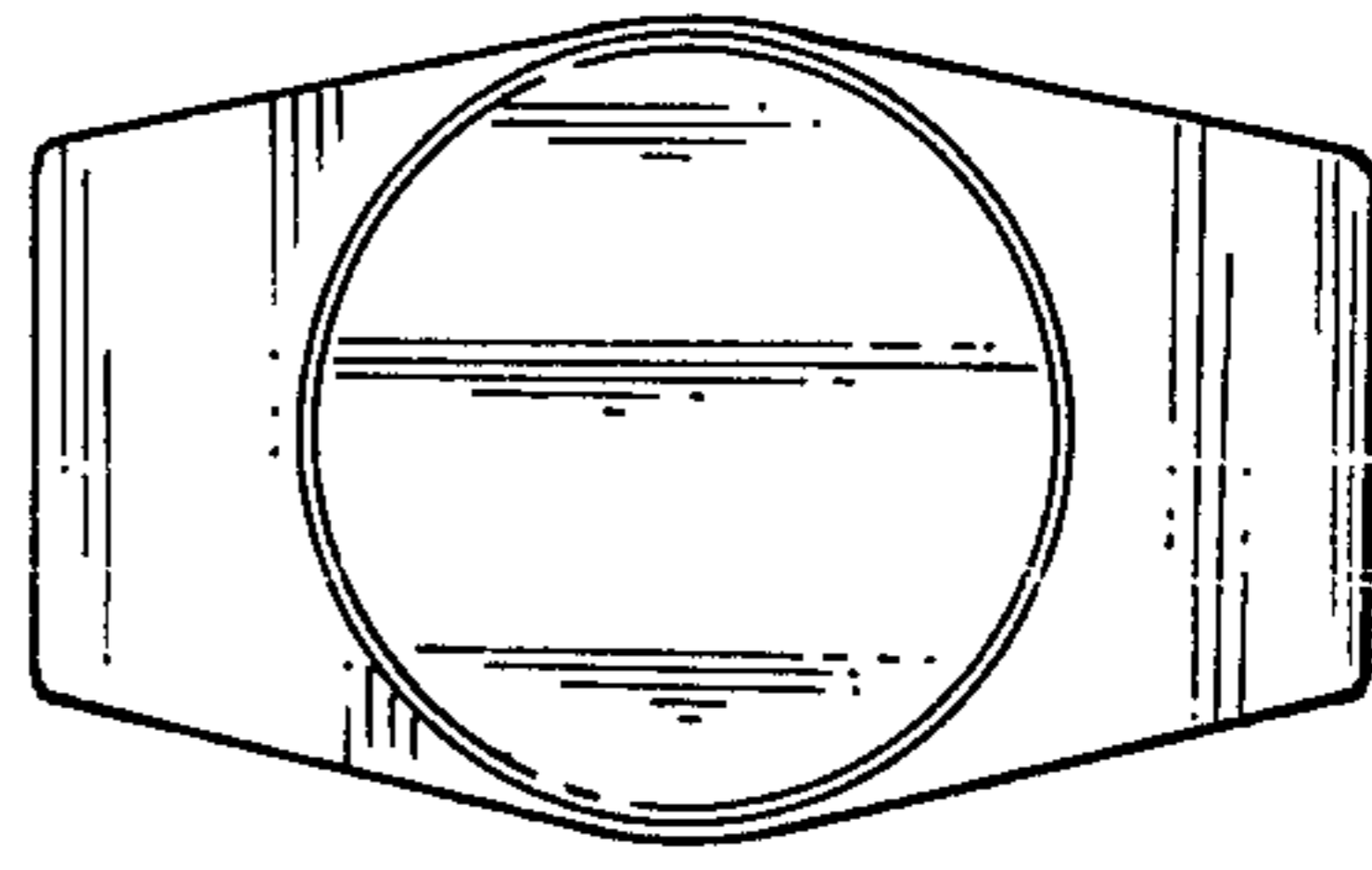


FIG. 4