

United States Patent [19]

Lievonen et al.

[11] Patent Number: **Des. 308,098**

[45] Date of Patent: **** May 22, 1990**

[54] **MESSAGE ROLLER**

[76] Inventors: **Arvo E. Lievonen; Kari J. Lievonen,**
both of 1301 Lake Geneva Dr., Lake
Worth, Fla. 33461

[**] Term: **14 Years**

[21] Appl. No.: **45,661**

[22] Filed: **Apr. 30, 1987**

[52] U.S. Cl. **D24/36**

[58] Field of Search **D24/36, 40-42;**
128/25 B, 24.3, 57

[56] **References Cited**

U.S. PATENT DOCUMENTS

D. 287,406 12/1986 Nakao et al. **D24/40**

1,569,467 1/1926 Edwards **128/25 B**
4,167,940 9/1979 Ruf **128/57**

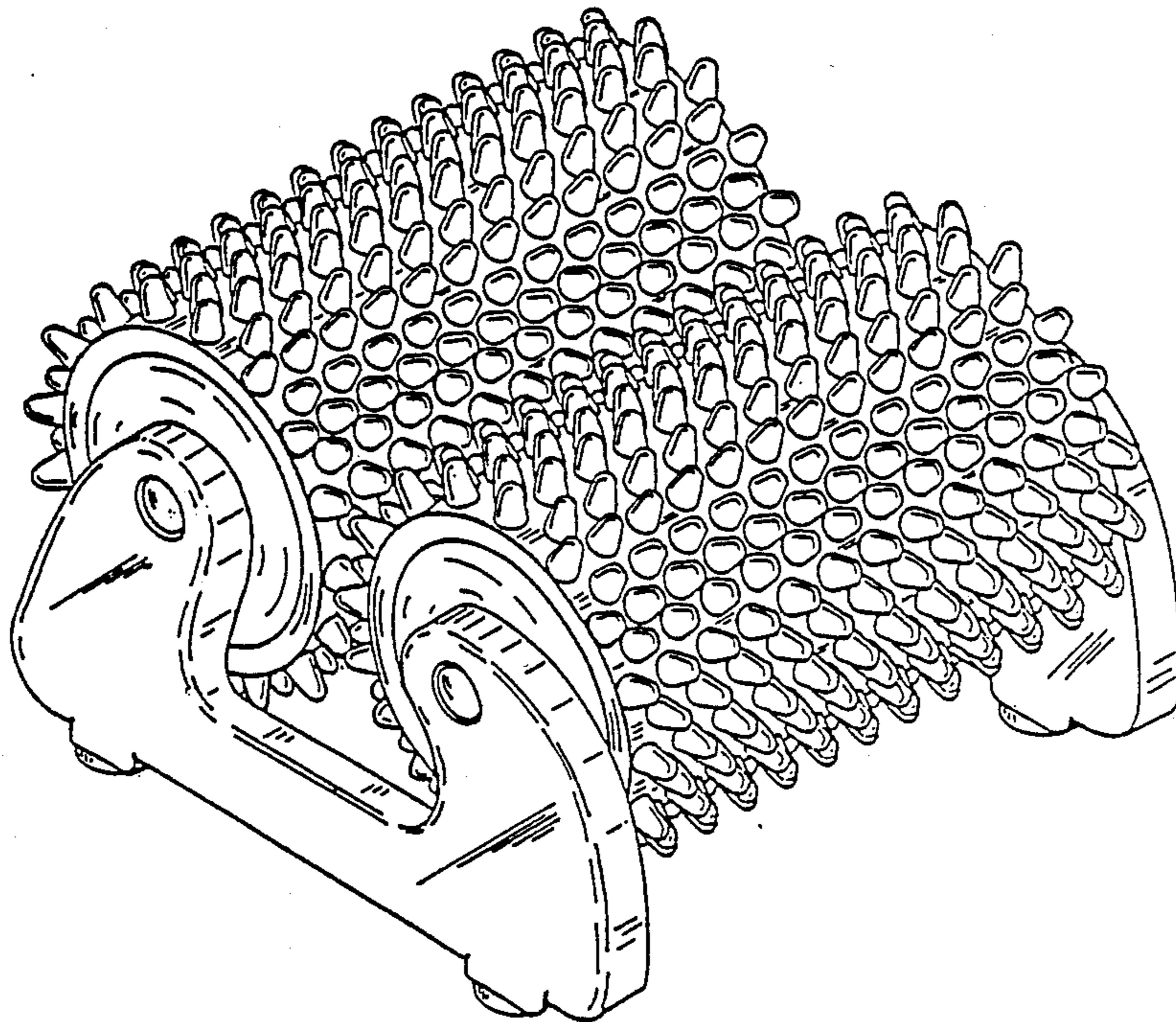
Primary Examiner—A. Hugo Word
Assistant Examiner—Stella M. Reid
Attorney, Agent, or Firm—Jack N. McCarthy

[57] **CLAIM**

The ornamental design for a massage roller, as shown and described.

DESCRIPTION

FIG. 1 is a top plan view of a massage roller, showing our new design;
FIG. 2 is a side elevational view thereof, the opposite side being identical thereto;
FIG. 3 is a bottom plan view thereof; and
FIG. 4 is a perspective view thereof.



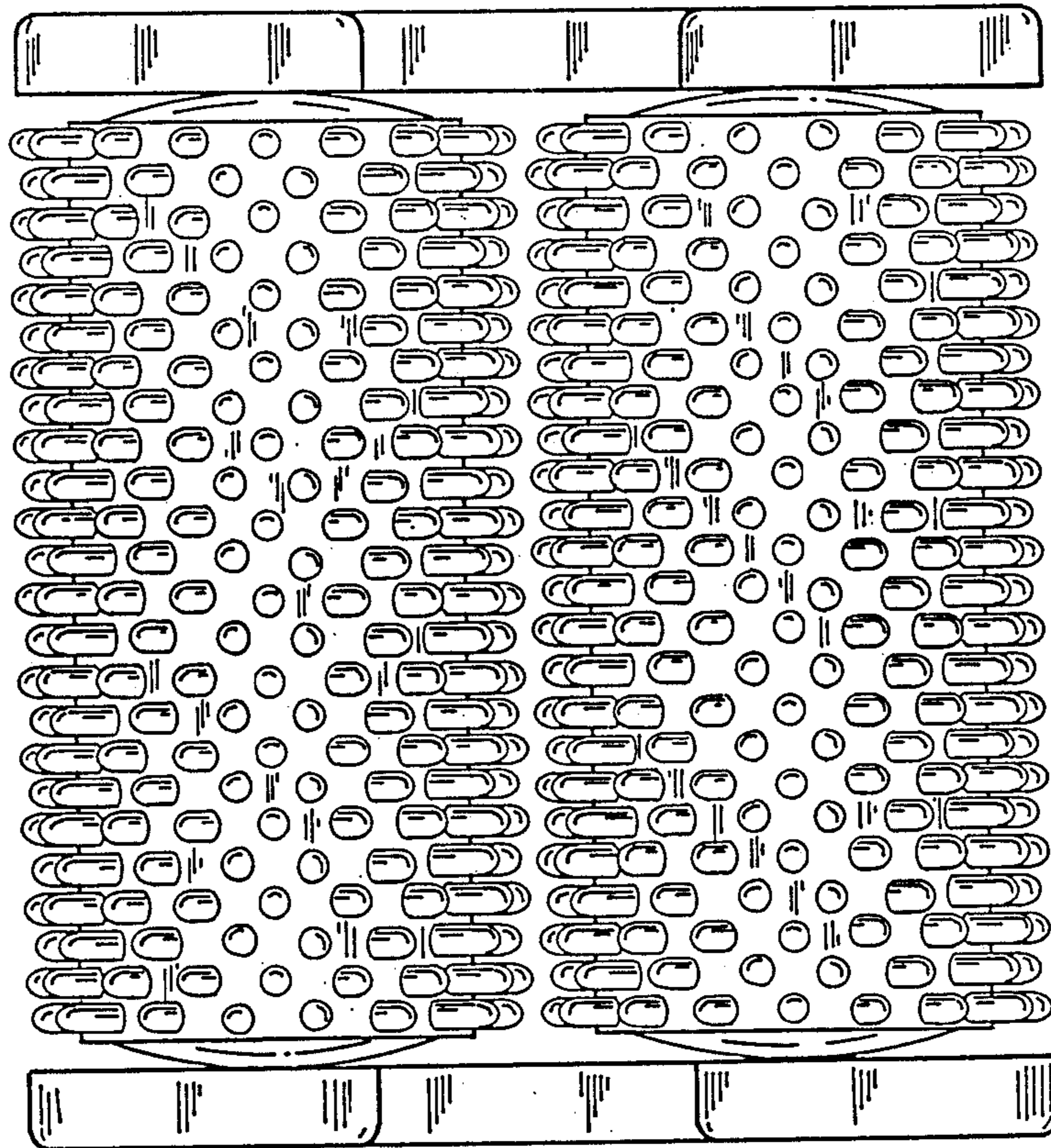


Fig. 1

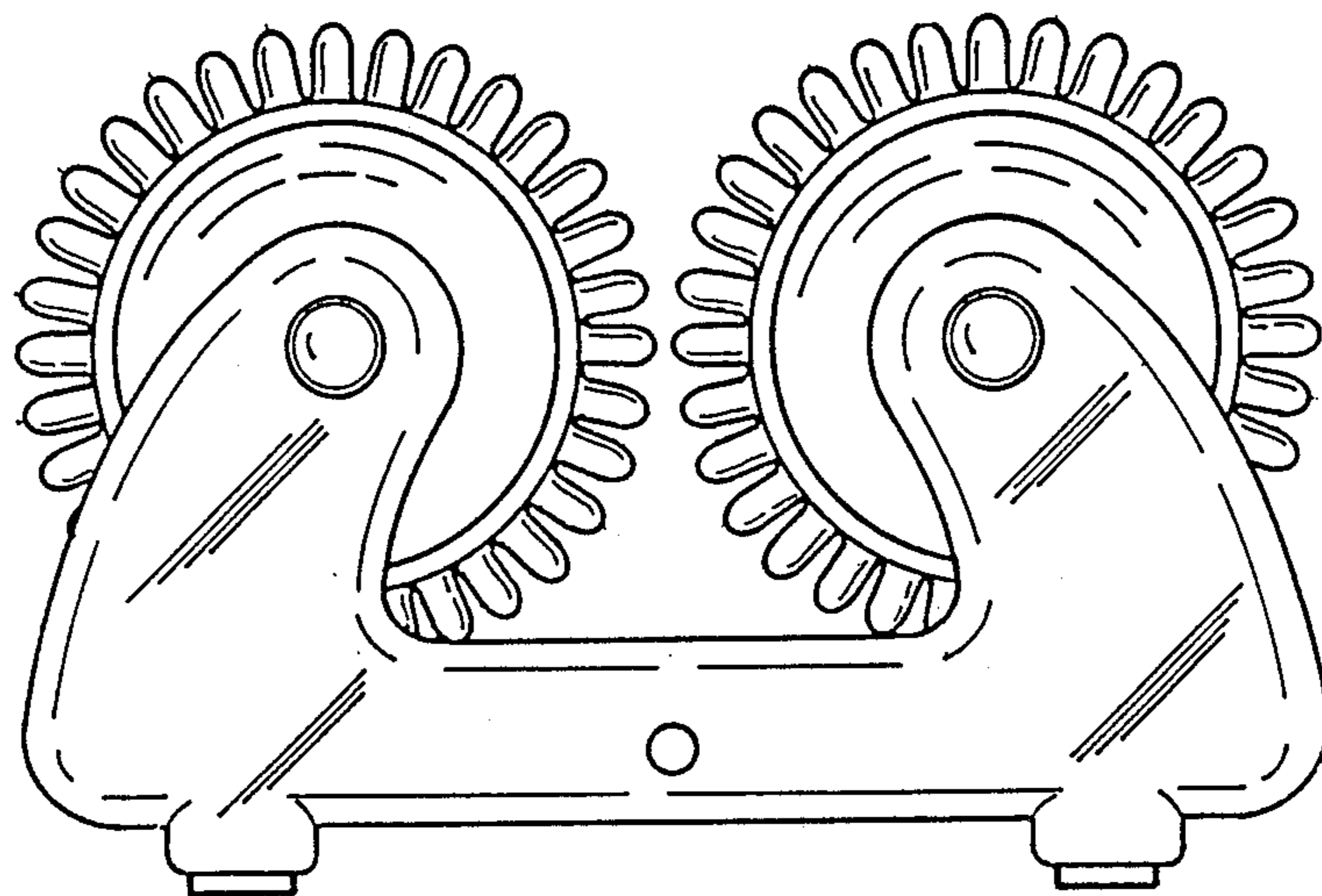


Fig. 2

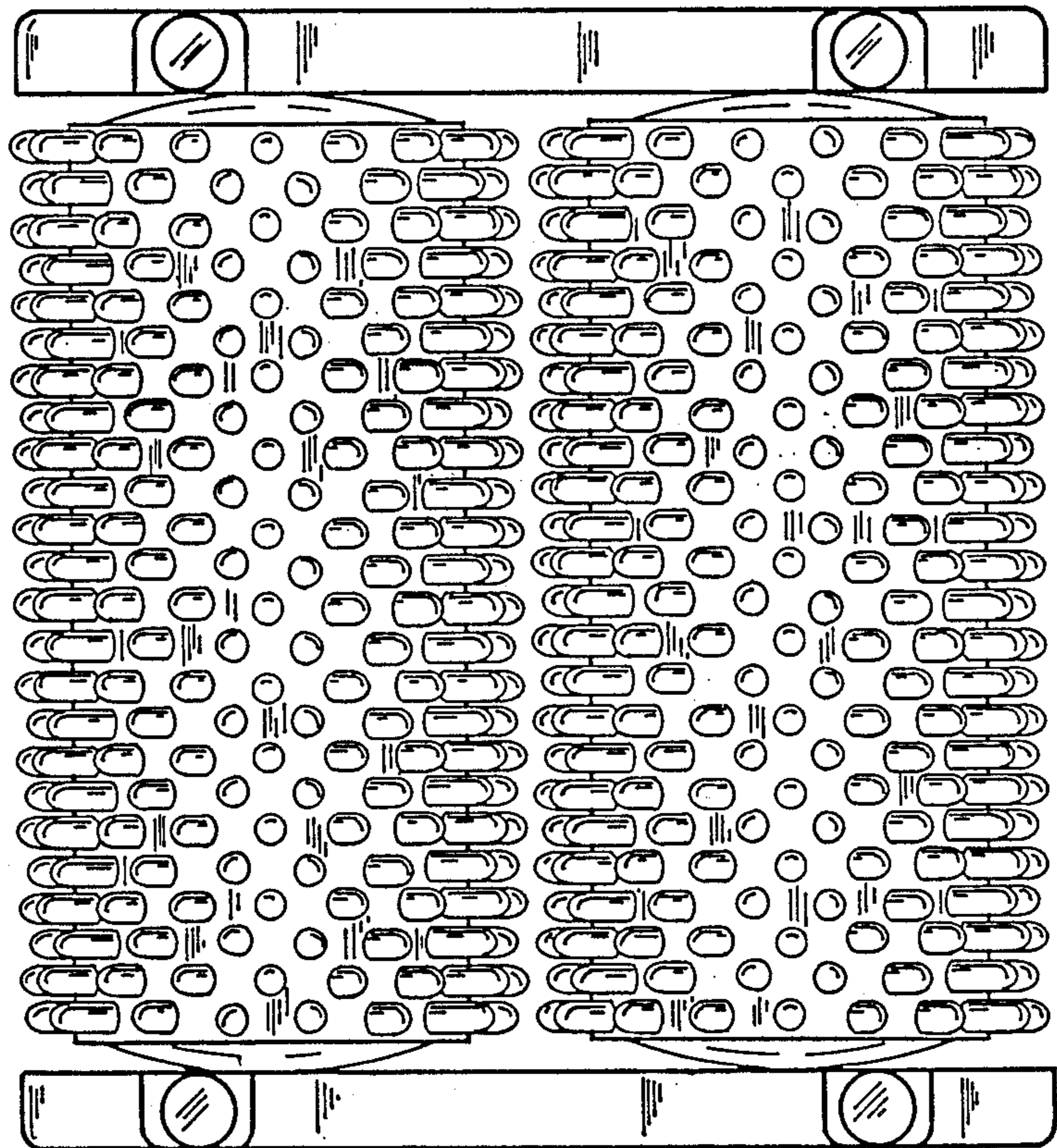


Fig. 3

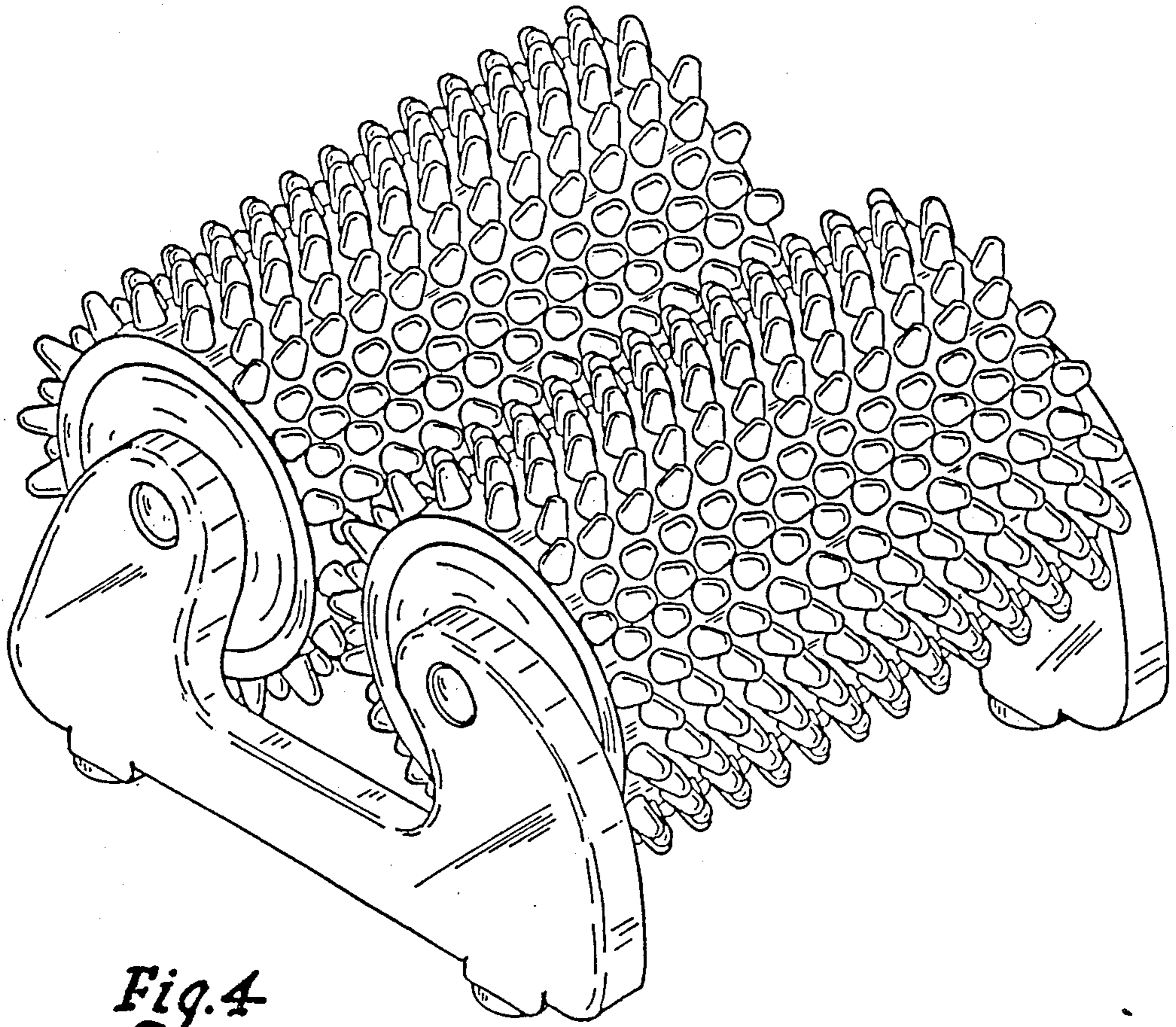


Fig. 4