

[54] **COMBINED HANDLE-OPERATED FLOW CONTROL VALVE AND PRESSURE GAUGE**

4,531,675 7/1985 Muck ..... 239/290  
4,569,160 2/1986 Hengesbach ..... 51/427

[76] **Inventor: Robert W. Hengesbach, 7886 Munson Rd., Mentor, Ohio 44060**

**FOREIGN PATENT DOCUMENTS**

[\*\*] **Term: 14 Years**

1029422 4/1978 Canada ..... 299/15  
1040236 10/1978 Canada ..... 299/15

[21] **Appl. No.: 224,250**

**OTHER PUBLICATIONS**

[22] **Filed: Jul. 26, 1988**

Tri-Con Brochure "We Make the System", (Jan. 1977) 4 pages, No. 230 Swivel Adaptor.

**Related U.S. Application Data**

[60] Continuation of Ser. No. 68,052, Jun. 29, 1987, abandoned, which is a continuation-in-part of Ser. No. 15,604, Feb. 17, 1987, abandoned, which is a continuation-in-part of Ser. No. 674,272, Nov. 23, 1984, Pat. No. Des. 293,127, which is a continuation-in-part of Ser. No. 461,874, Jan. 28, 1983, Pat. No. Des. 282,392, which is a division of Ser. No. 756,186, Jul. 18, 1985, Pat. No. Des. 284,301.

Spraying Systems Catalogue (1978), p. 29, Type-T UniJet Nozzle with Solid Stream Tip.

[52] **U.S. Cl. .... D23/226**

Spraying Systems Catalogue (1978) p. 32, No. 114304SS, UniJet Nozzle with TNSSTC Tip.

[58] **Field of Search .... D23/213, 223-227; D10/46, 49, 85; 406/152; 141/19; 239/8, 134, 337, 525-526, 532; 251/231; 294/25-26**

Encap Products Company advertisement at p. 14, of Green Industry Buying Guide dated Jan., 1989 (cover also included herewith).

[56] **References Cited**

**U.S. PATENT DOCUMENTS**

- D. 234,845 4/1975 Davis ..... D23/1
- D. 270,368 8/1983 Grime ..... D23/1
- D. 282,392 1/1986 Hangesbach ..... D23/226
- D. 284,301 6/1986 Hengesbach ..... D23/226
- D. 285,242 8/1986 Hengesbach ..... D23/17
- D. 285,477 9/1986 Hengesbach ..... D23/18
- D. 292,606 11/1987 Hengesbach ..... D23/226
- D. 293,127 12/1987 Hengesbach ..... D23/226
- 2,072,555 3/1937 Hengesbach et al. .... 122/144
- 2,293,390 8/1942 Hengesbach ..... 299/84
- 2,657,098 10/1953 Strahman ..... 299/131
- 2,783,092 2/1957 Gavin et al. .... 299/116
- 2,788,926 4/1957 Morrison ..... 222/394
- 3,056,557 10/1962 Walberg ..... D23/226 X
- 3,107,858 10/1963 Ganzel et al. .... 239/526 X
- 3,116,882 1/1964 Vork ..... 239/587
- 3,632,046 1/1972 Hengesbach ..... 239/318
- 3,711,028 1/1973 Hengesbach ..... 239/288.5
- 3,727,841 4/1973 Hengesbach ..... 239/145
- 3,814,329 6/1974 Clark ..... 239/426
- 4,035,004 7/1977 Hengesbach ..... 285/166
- 4,449,696 5/1984 Hengesbach ..... 251/231
- 4,473,328 9/1984 Hengesbach ..... 406/152

Brochure, Spraying Systems Co., Catalog 27, pp. 75-79, 1978, entitled: Spray Nozzles and Accessories.

Brochure, Spraying Systems Co., Bulletin 179F, 7 pages, 1971, entitled: Spray Nozzles, Spray Guns, Valves and Accessories.

Brochure, Tri-Con, Inc., 2 pages, date unknown, entitled: Tri-Con Rust-Fighter Vehicle Inner-Body Coating System 9000.

Brochure, Tri-Con, Inc., 4 pages, date unknown, entitled: The Tri-Con All Purpose Nozzle.

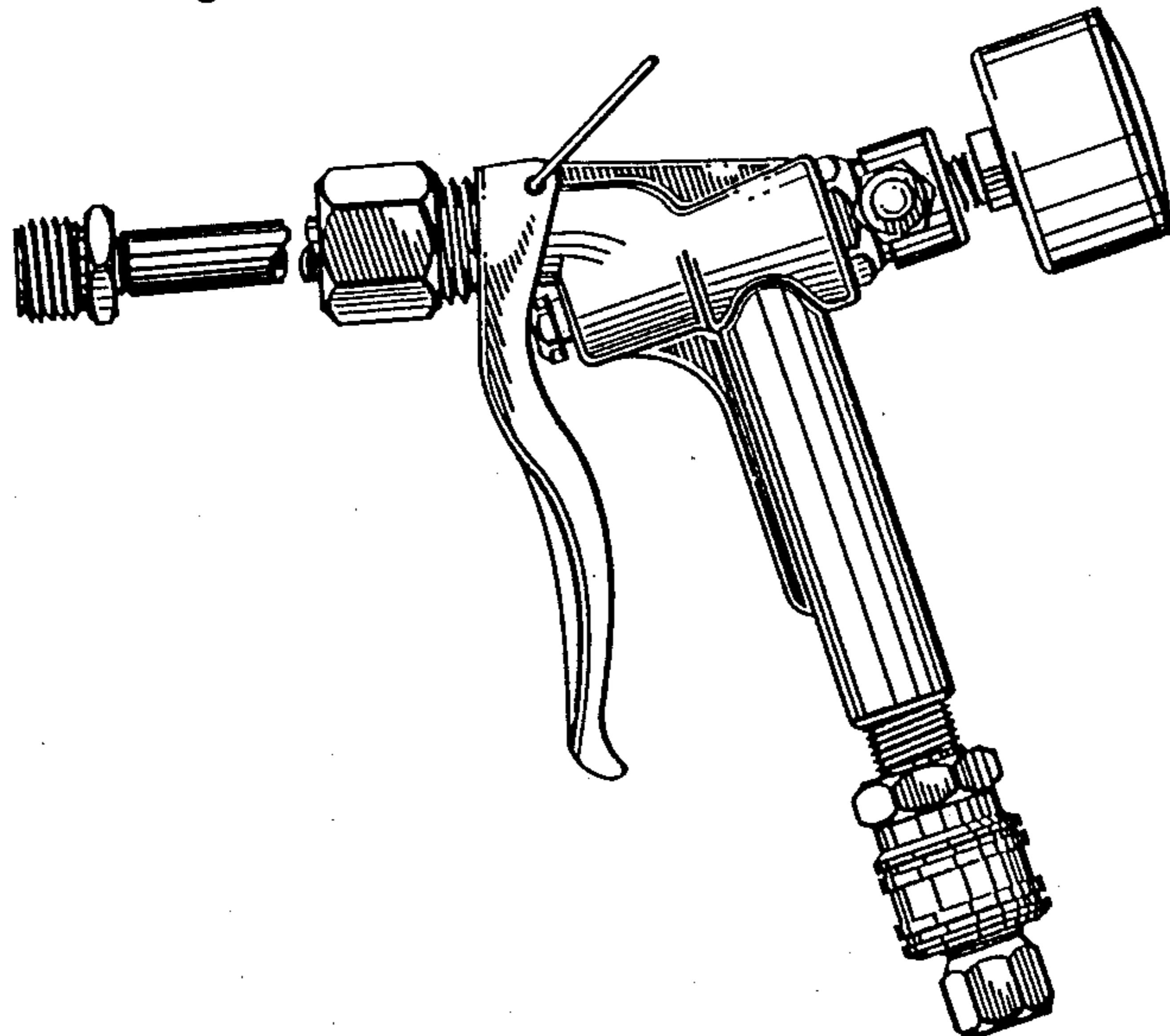
*Primary Examiner*—Wallace R. Burke  
*Assistant Examiner*—Brian N. Vinson  
*Attorney, Agent, or Firm*—David A. Burge

[57] **CLAIM**

The ornamental design for a combined handle-operated flow control valve and pressure gauge, as shown and described.

**DESCRIPTION**

FIG. 1 is a left side elevational view of a combined handle-operated flow control valve and pressure gauge showing my new design; FIG. 2 is a top plan view thereof; FIG. 3 is a right side elevational view thereof; FIG. 4 is a bottom plan view thereof; FIG. 5 is a front end elevational view thereof; and FIG. 6 is a rear end elevational view thereof. The shaft portion is shown broken-away in the views to indicate indeterminate length.



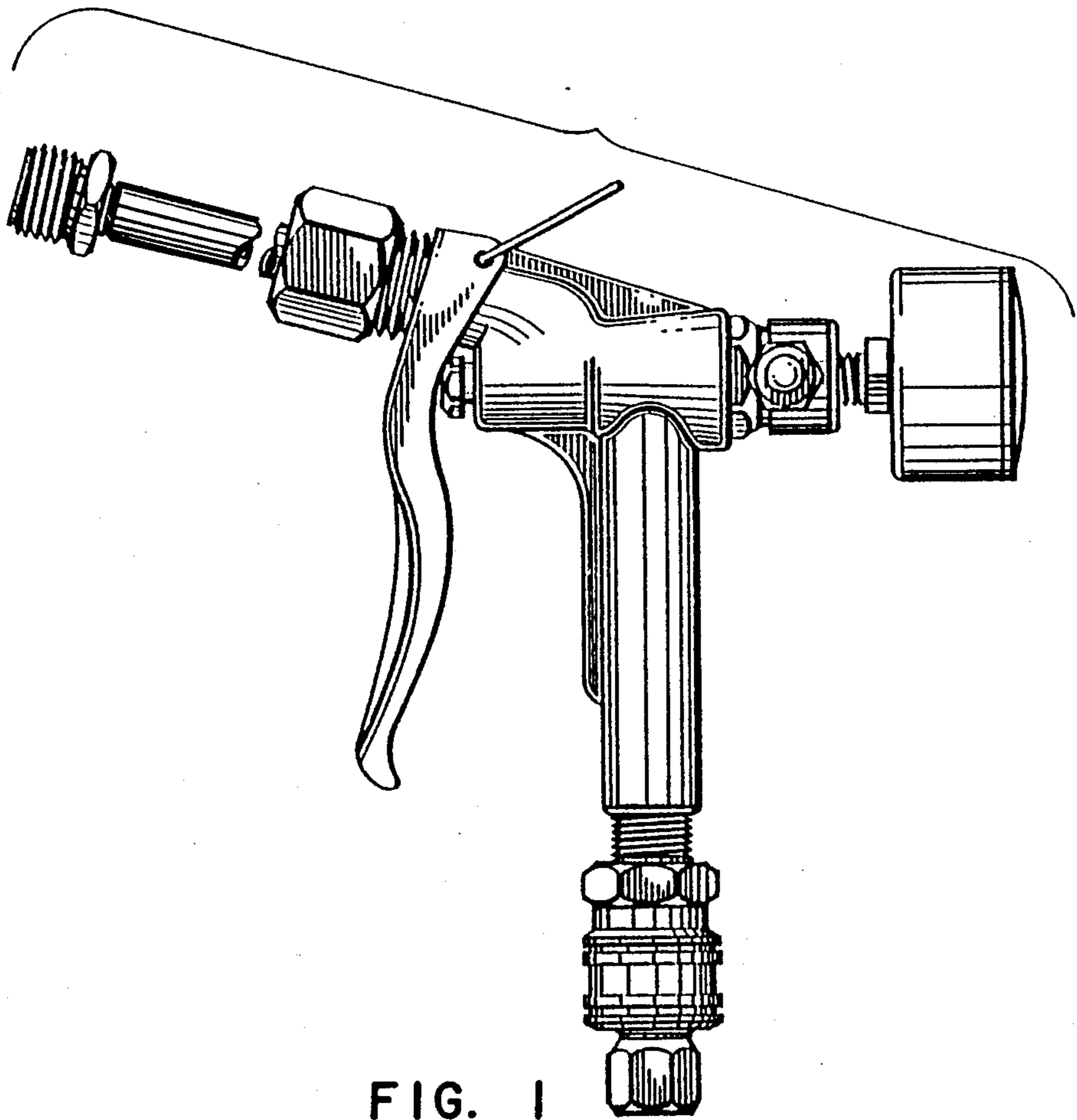


FIG. 1

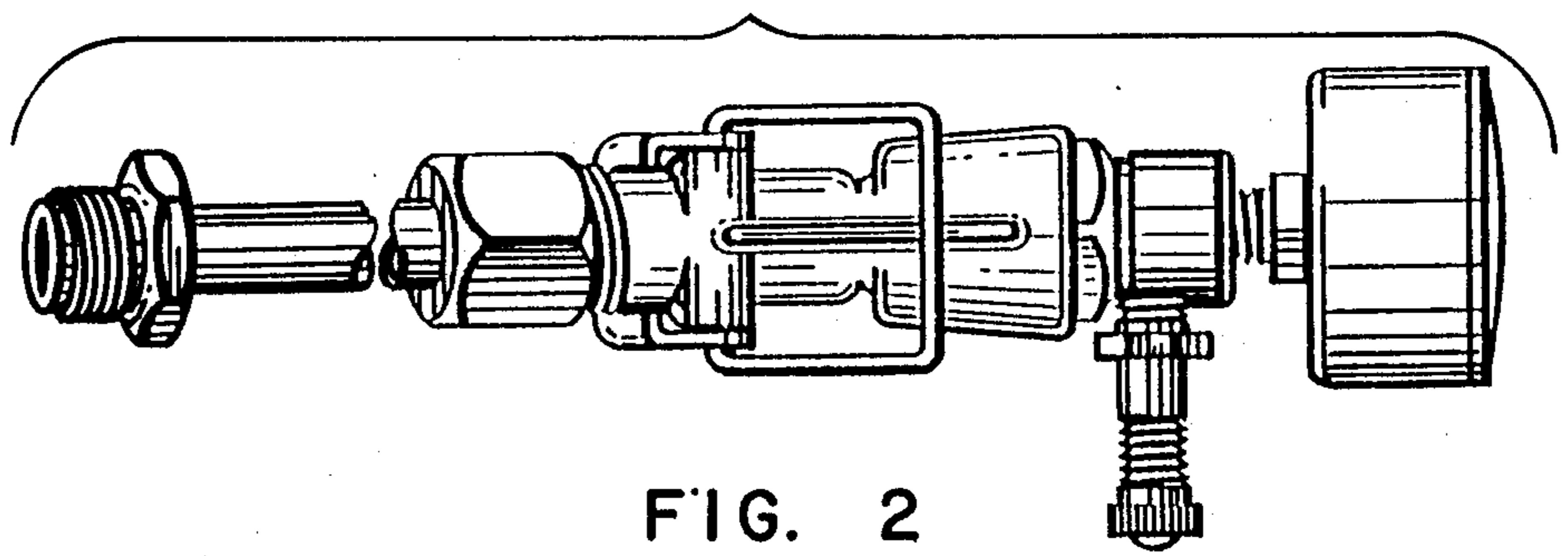


FIG. 2

