

[54] COMBINED FISHING REEL AND BAIT CASE

3,141,258 7/1964 Mayer D22/144 X
4,036,451 7/1977 Pipkin 242/137.1

[76] Inventor: Shih-Yuan Yeh, No. 2-4, Chen-Hsing Road, Tai-Ping Hsiang, Taichung Hsien, Taiwan

Primary Examiner—A. Hugo Word
Assistant Examiner—Doris V. Coles
Attorney, Agent, or Firm—Thomas S. Keaty

[**] Term: 14 Years

[57] CLAIM

[21] Appl. No.: 57,245

The ornamental design for a combined fishing reel and bait case, as shown.

[22] Filed: Jun. 2, 1987

[52] U.S. Cl. D22/139; D22/136; D22/140

[58] Field of Search D22/136-140; D3/38; 43/25-26, 54.1, 55, 21.2, 25.2; 242/85.1, 137.1

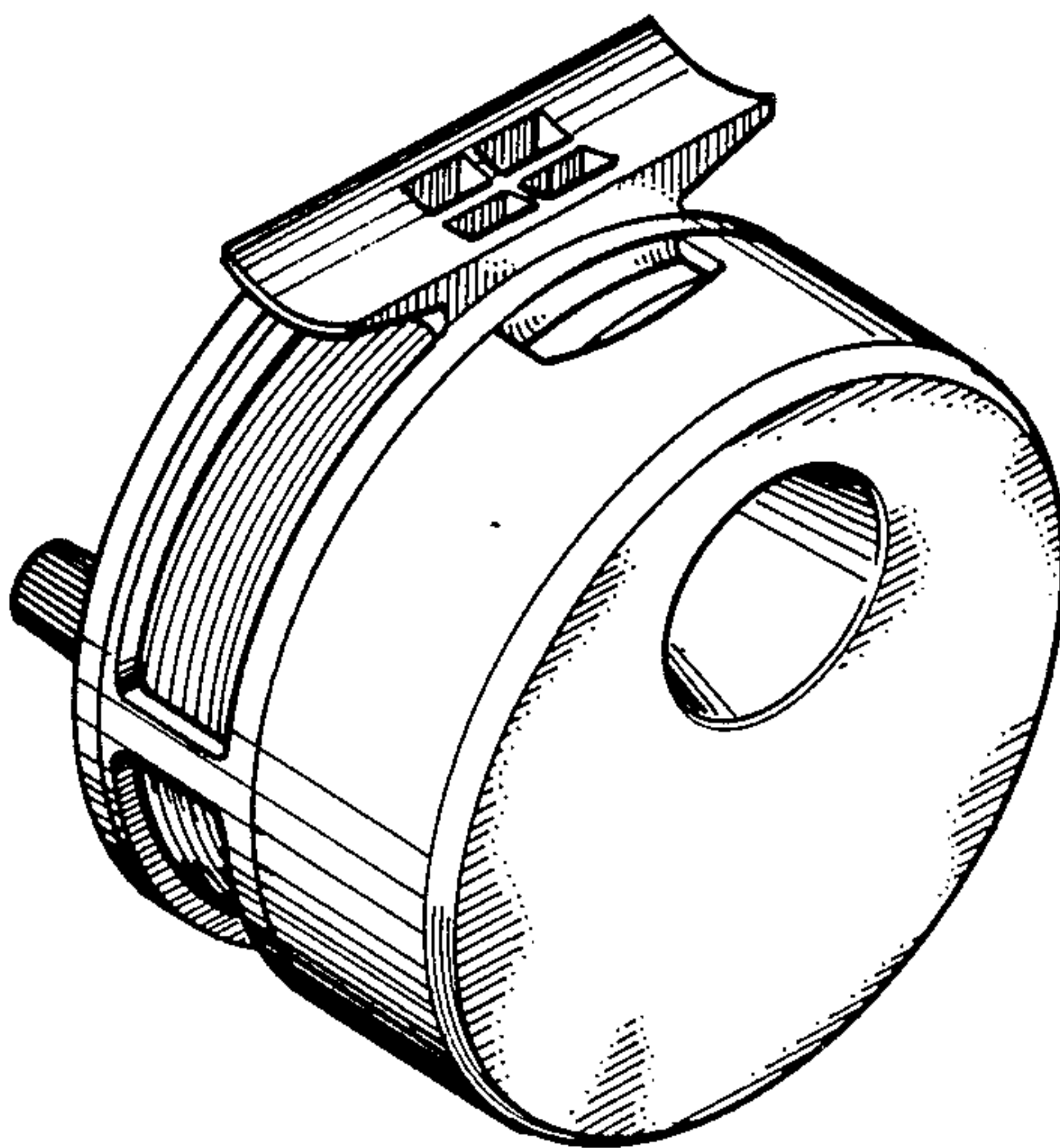
DESCRIPTION

FIG. 1 is a perspective view of a combined fishing reel and bait case showing my new design;
FIG. 2 is a front elevational view thereof;
FIG. 3 is a rear elevational view thereof;
FIG. 4 is a left side elevational view, the right side being a mirror image thereof;
FIG. 5 is a top plan view thereof;
FIG. 6 is a bottom plan view thereof; and
FIG. 7 is a side elevational view of FIG. 4, with the bait case open and taken sectionally through the median of the combined case.

[56] References Cited

U.S. PATENT DOCUMENTS

D. 247,442 3/1978 Hiraishi et al. D22/140
2,051,136 8/1936 Dormire 43/54.1 X
2,268,547 1/1942 Haines 242/137.1



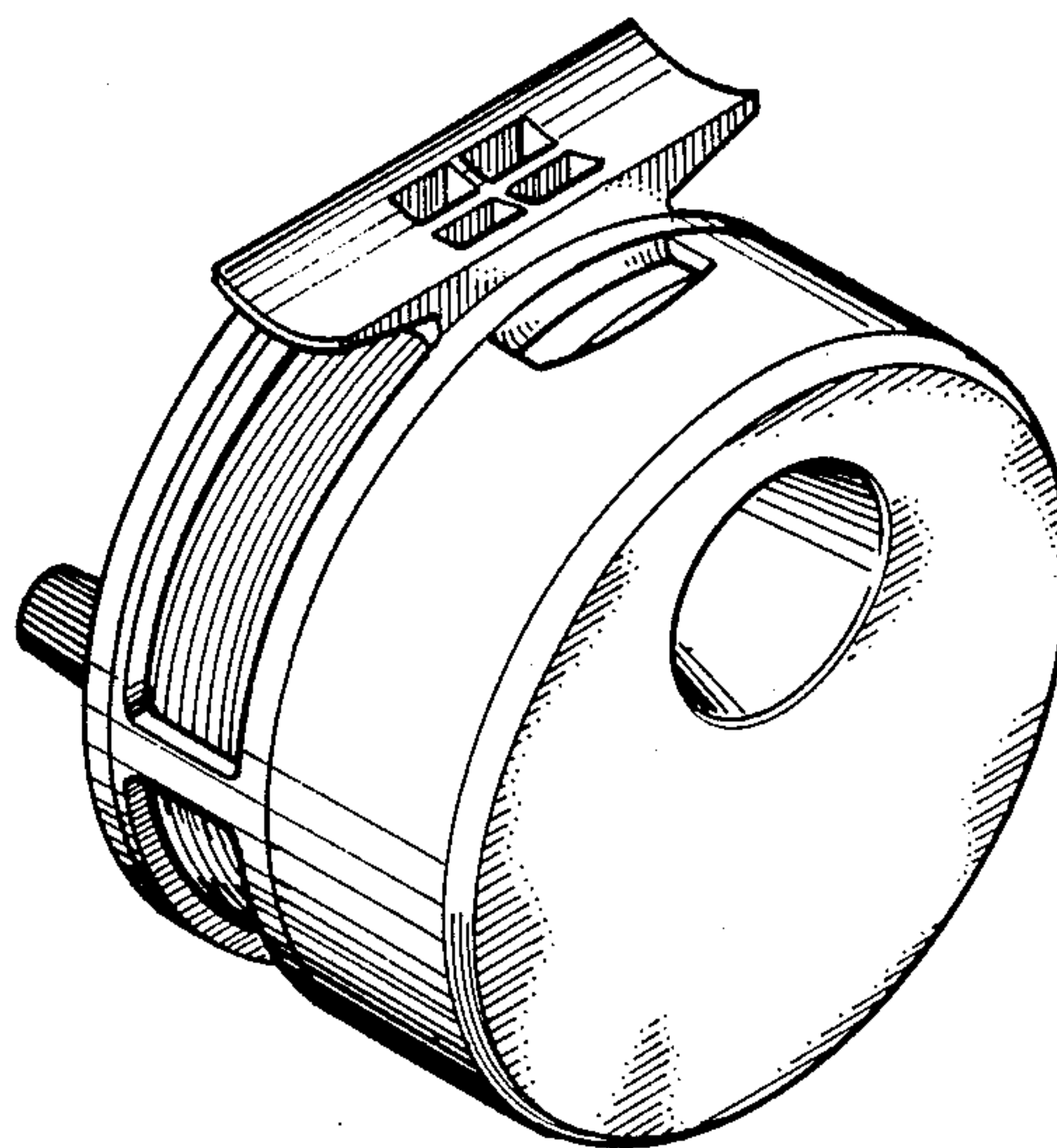


FIG. 1

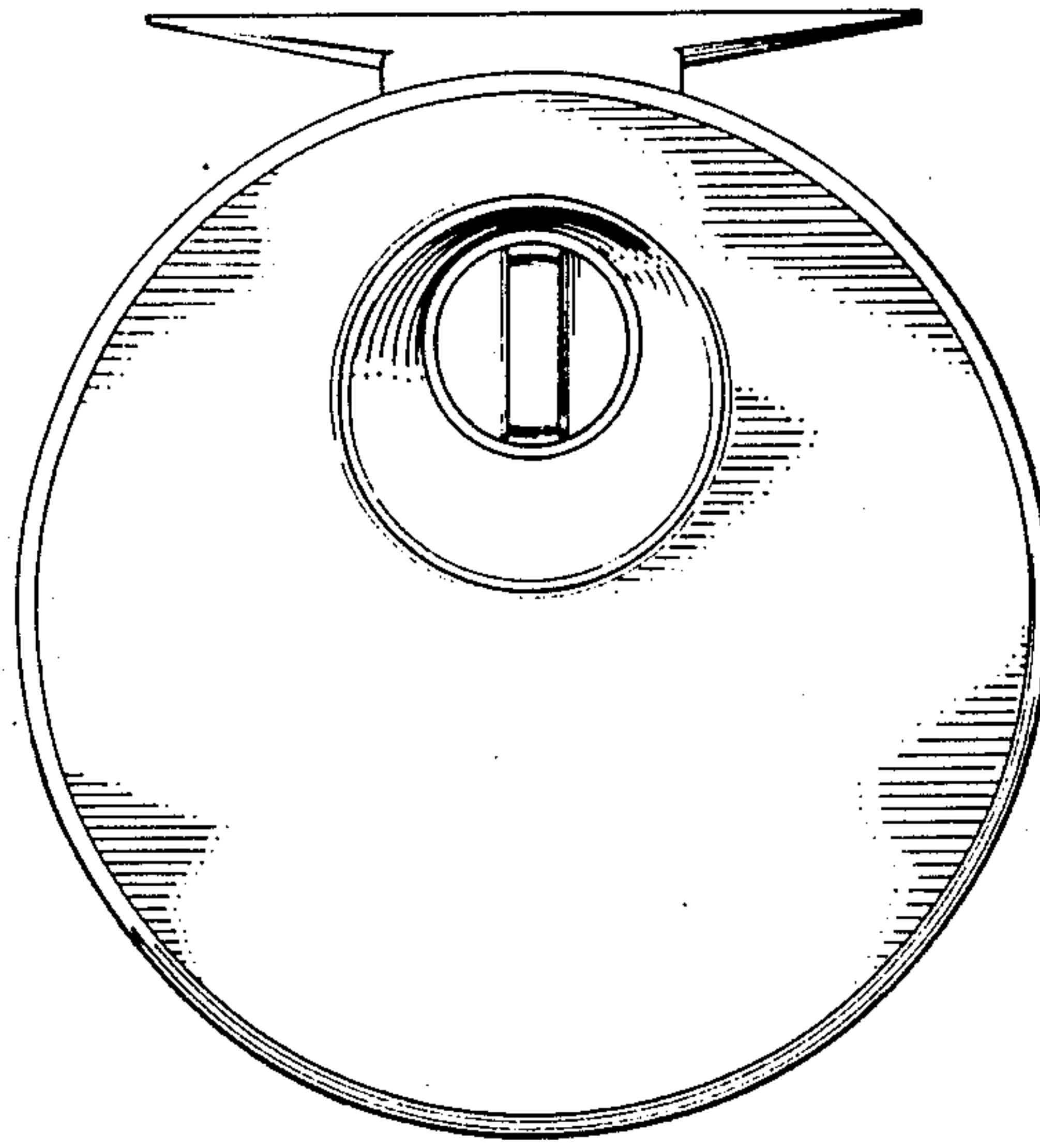
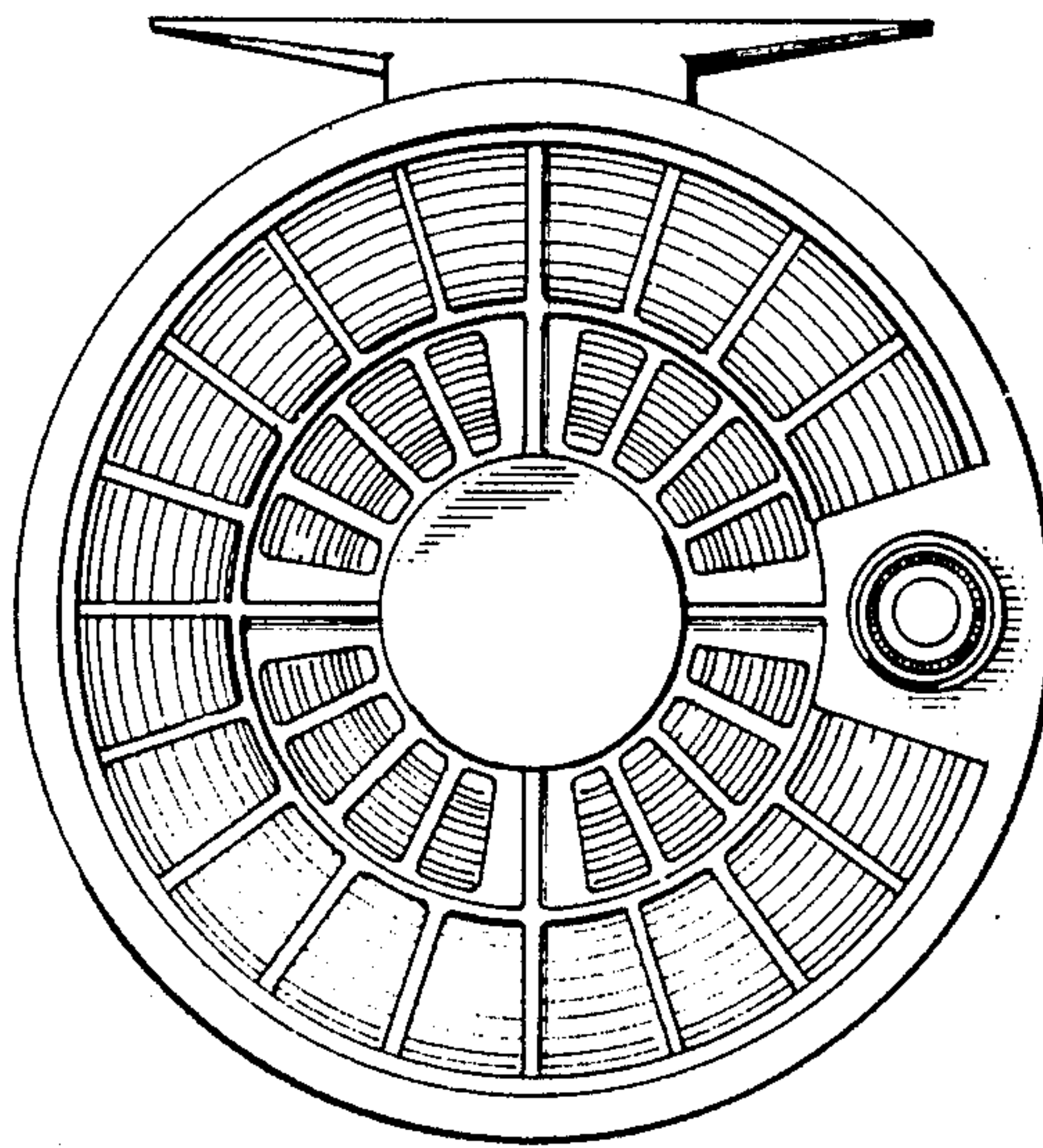


FIG. 2

FIG. 3



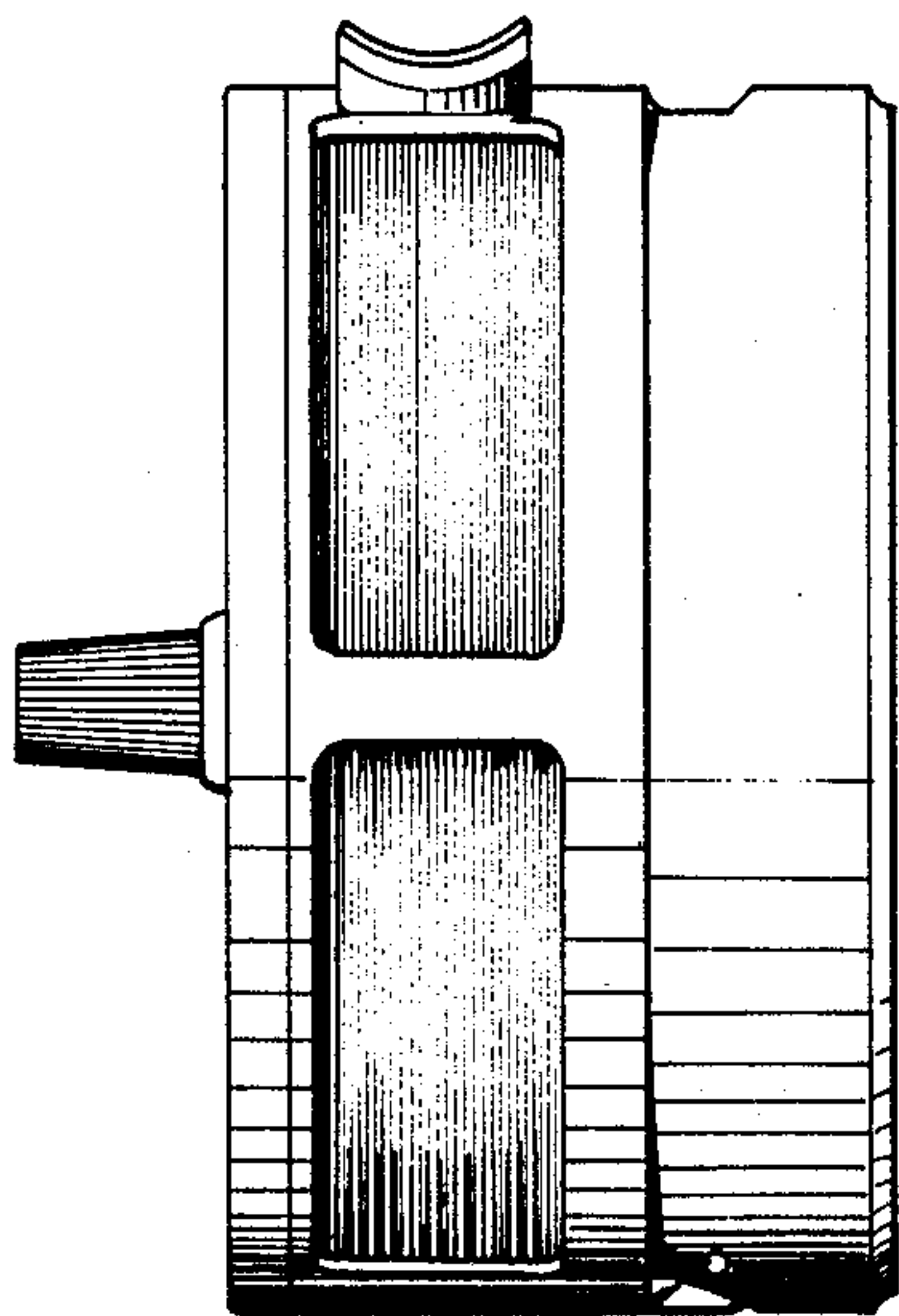


FIG. 4

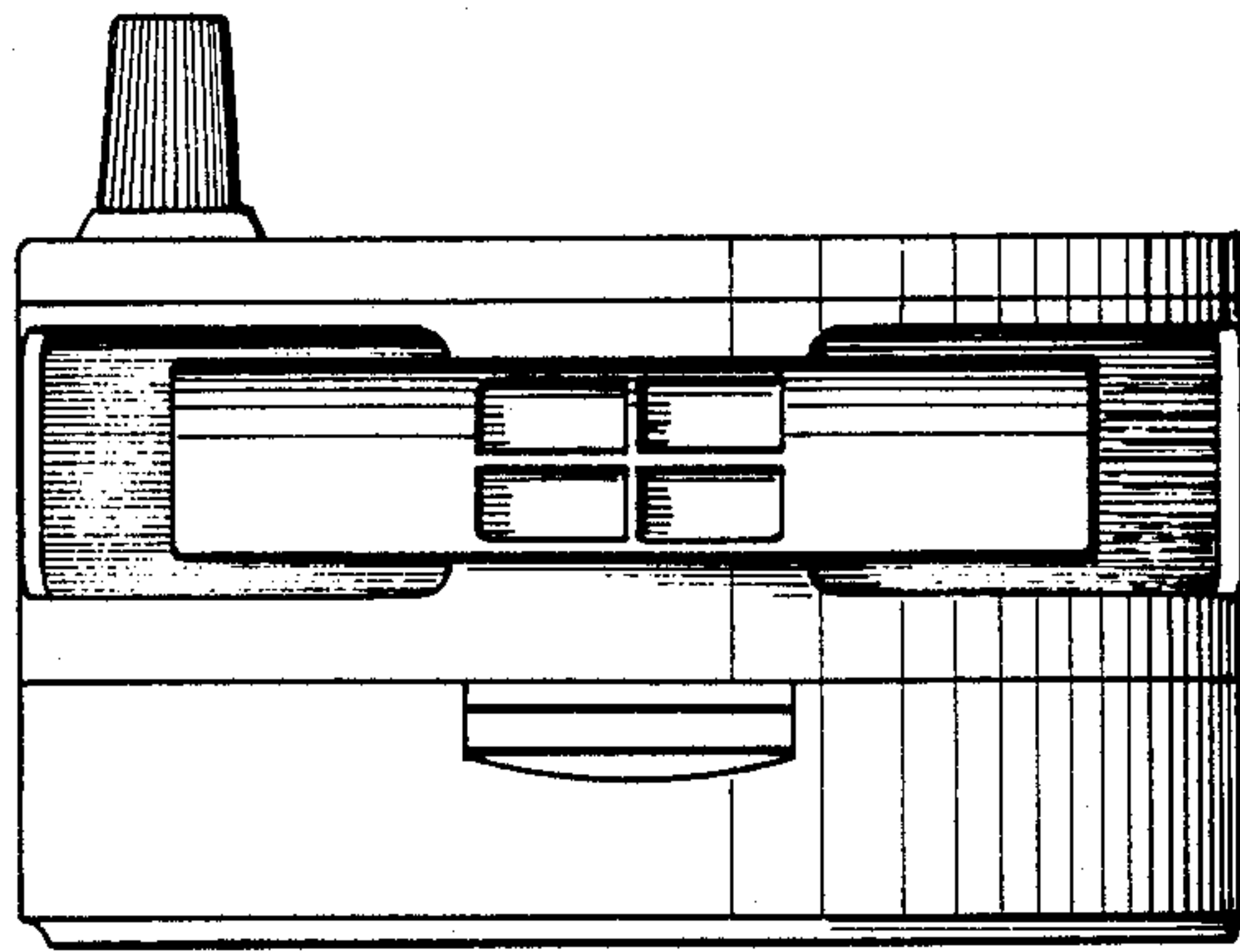


FIG. 5

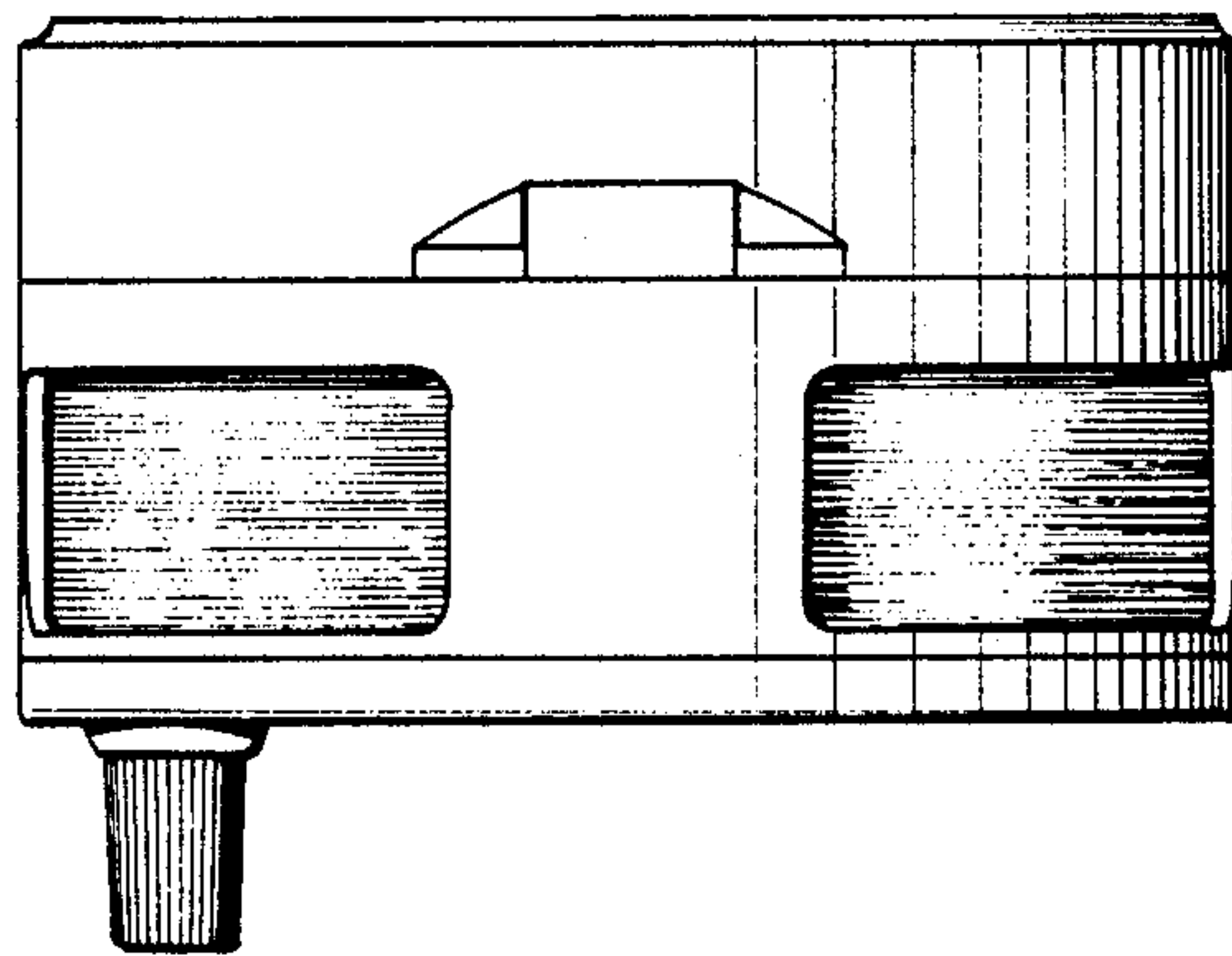


FIG. 6

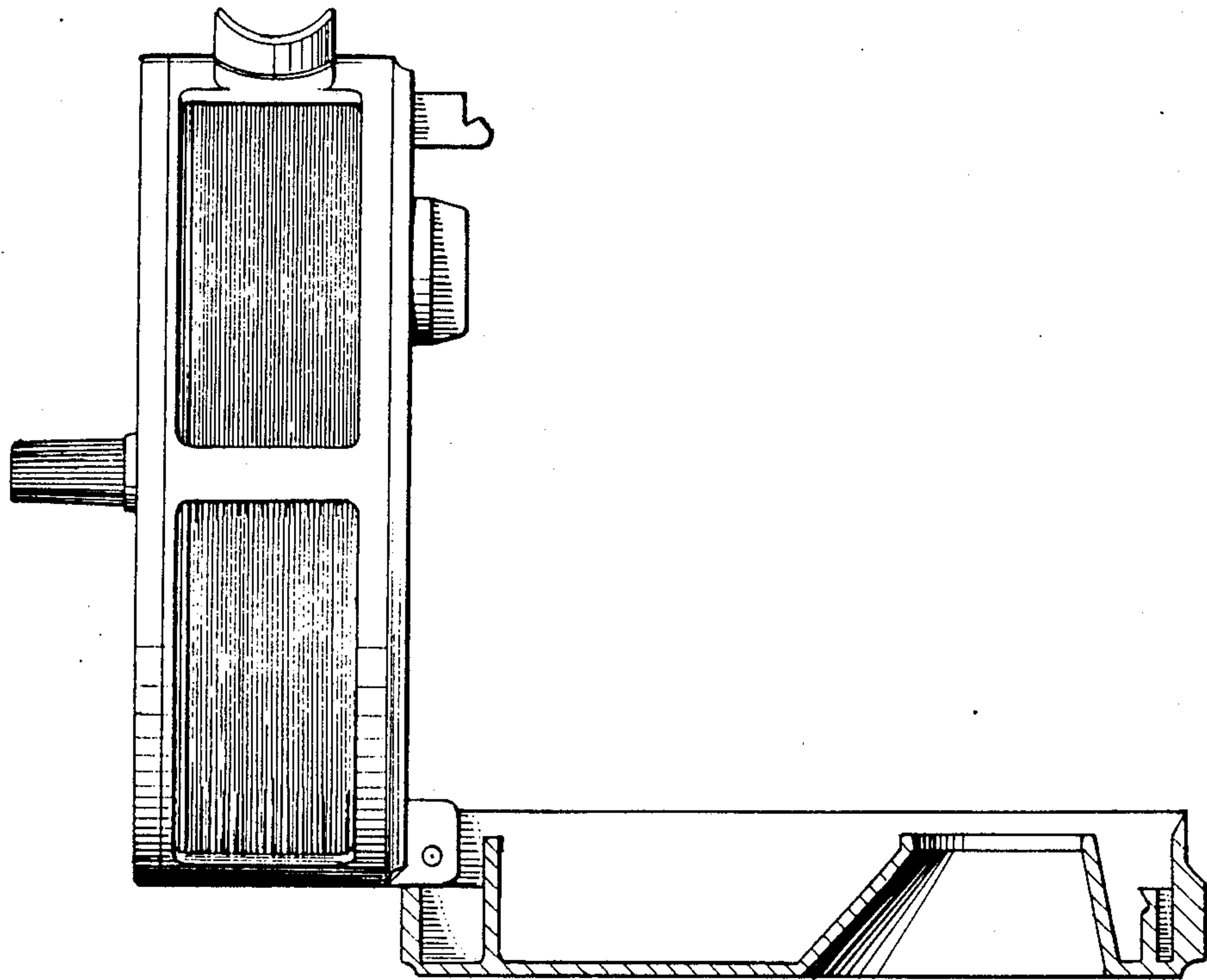


FIG. 7