

[54] SIGHT AIMING INSTRUMENT FOR WEAPONRY

[76] Inventor: Ronald J. Sanders, P.O. Box 658, Floodwood, Minn. 55736

[\*\*] Term: 14 Years

[21] Appl. No.: 128,570

[22] Filed: Dec. 4, 1987

[52] U.S. Cl. .... D22/109; D16/130

[58] Field of Search ..... D16/130, 132; D22/110, D22/109; 33/244, 241, 258, 233, 254, 245, 297, 298; 42/100, 101, 103

[56] References Cited

U.S. PATENT DOCUMENTS

2,155,199	4/1939	Loomis .....	33/244
4,016,654	4/1977	Tepedino .....	33/277
4,084,326	4/1978	Numbers .....	33/245

4,141,163 2/1979 Rubin ..... 33/244

Primary Examiner—A. Hugo Word

Assistant Examiner—Doris V. Coles

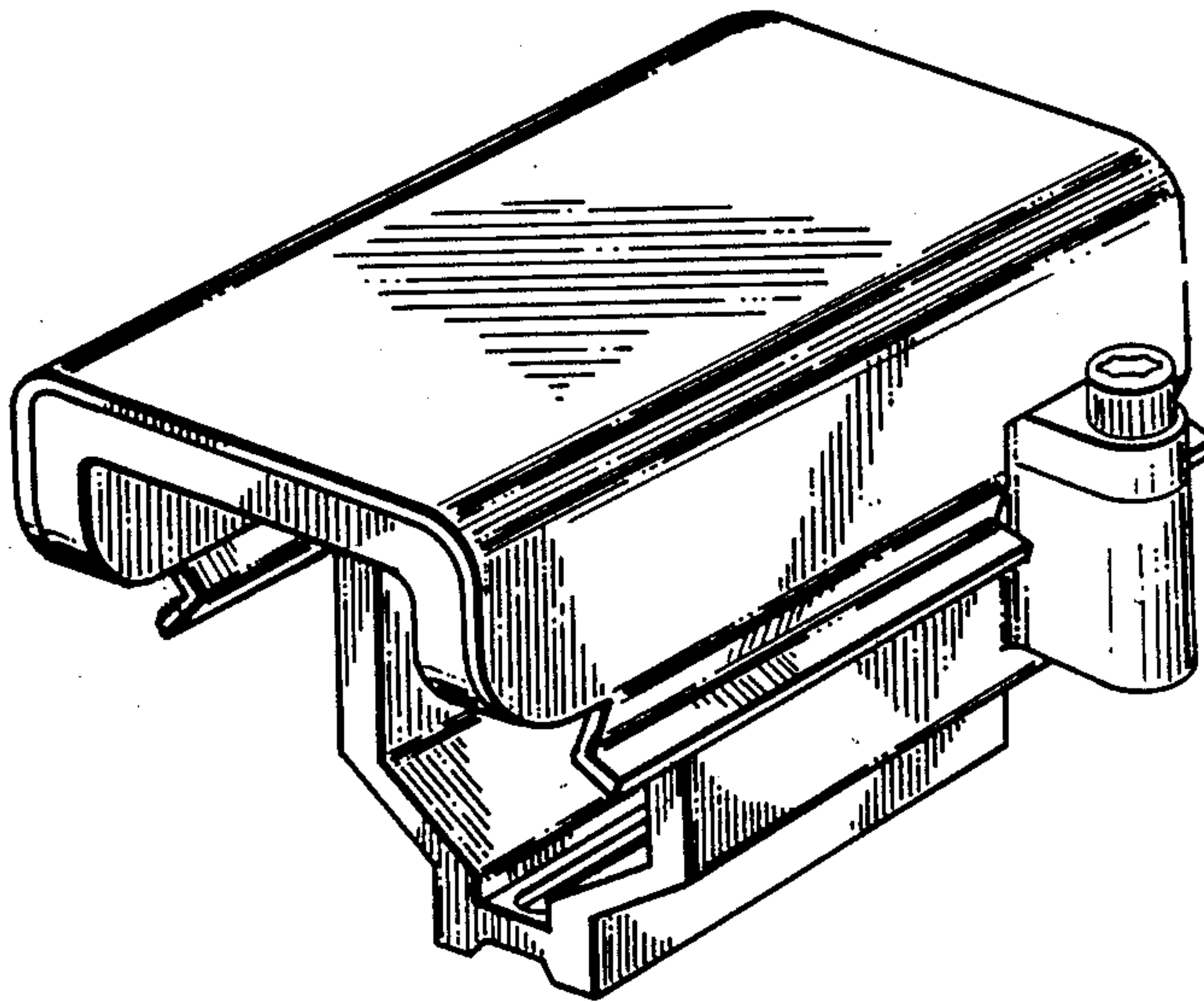
Attorney, Agent, or Firm—Peterson, Wicks, Nemer & Kamrath

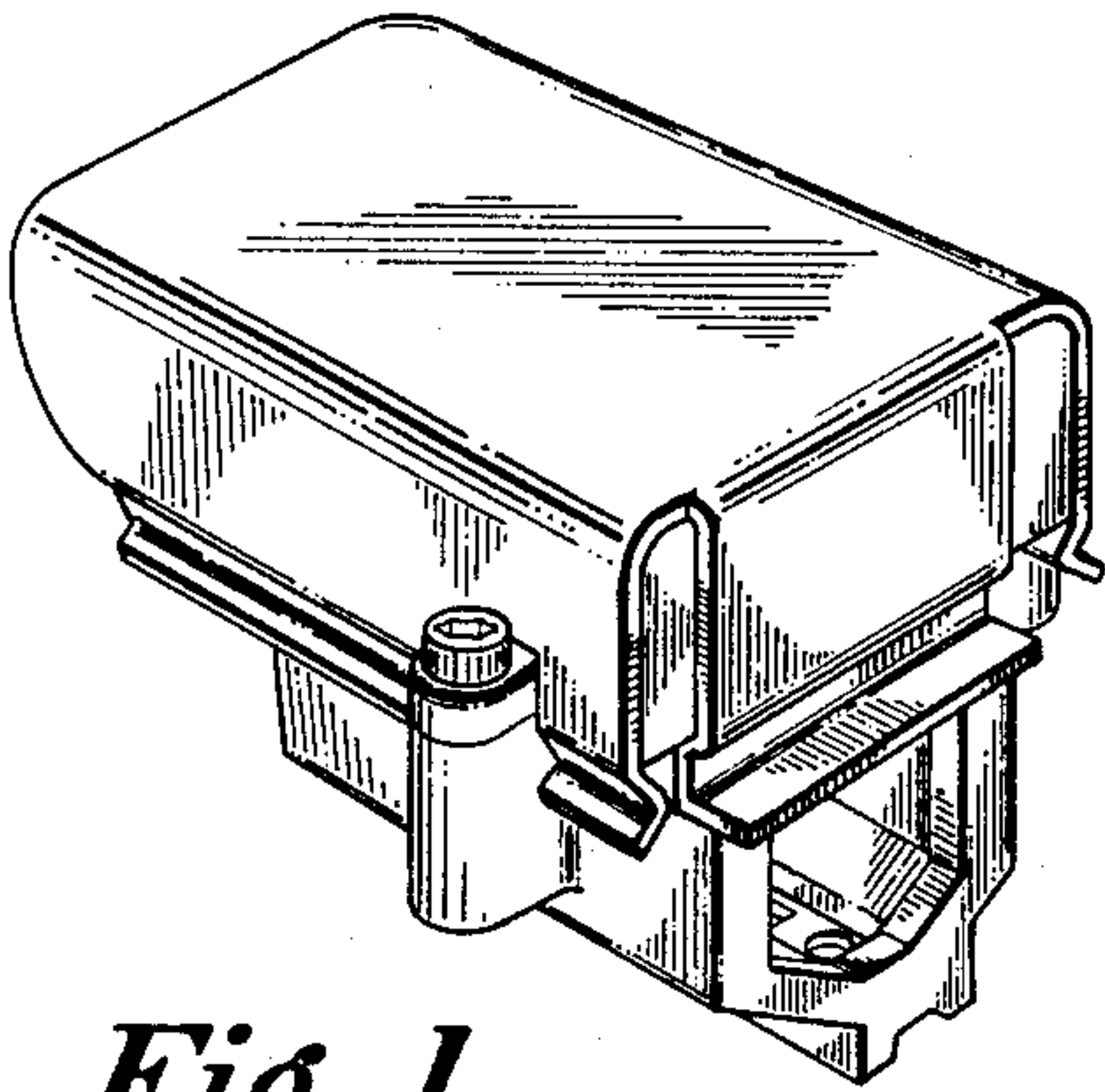
[57] CLAIM

The ornamental design for a sight aiming instrument for weaponry, as shown and described.

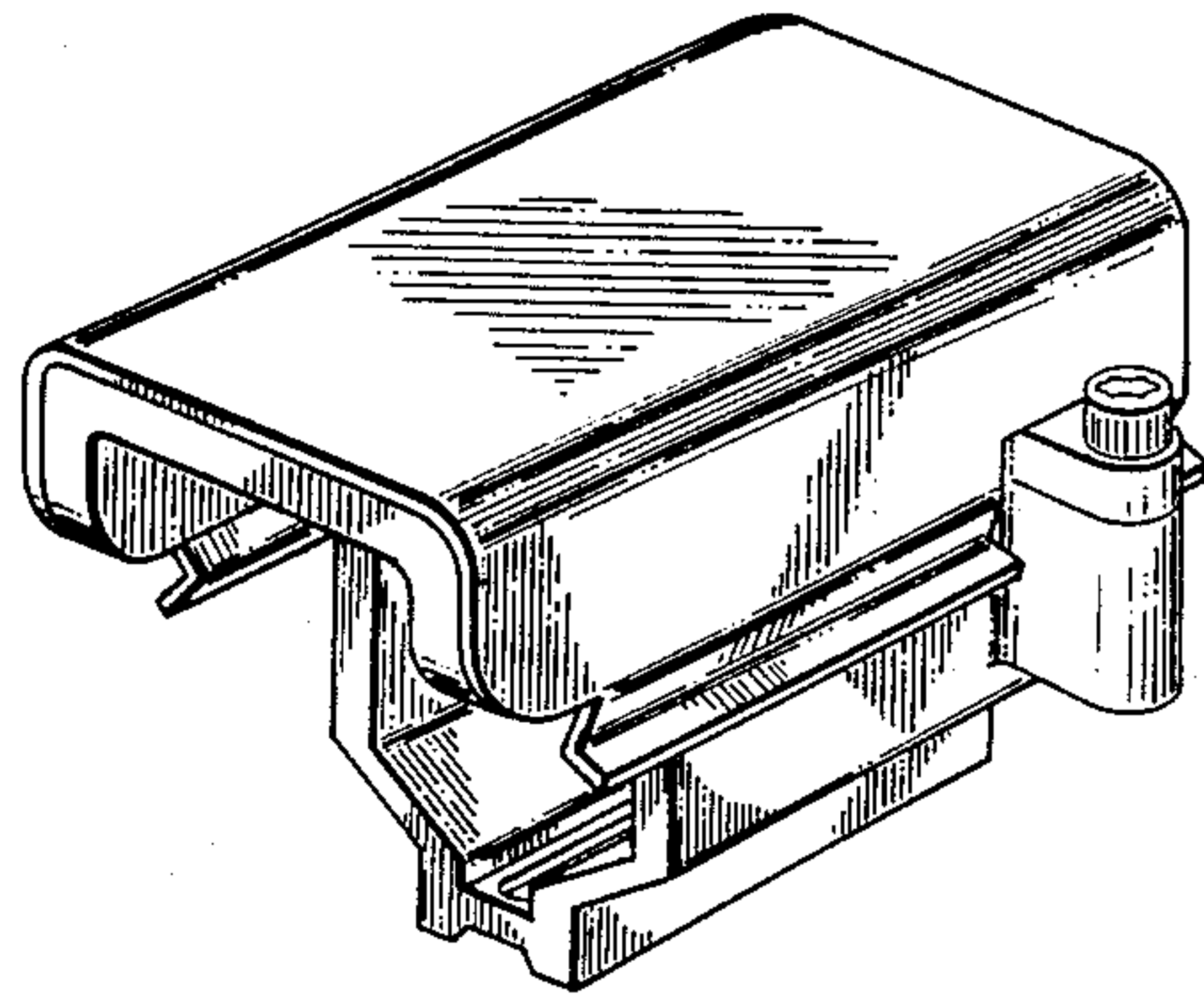
DESCRIPTION

FIG. 1 is a left, rear perspective view of a sight aiming instrument for weaponry, embodying my new design; FIG. 2 is a left, front perspective view thereof; FIG. 3 is a right side elevational view thereof, with the left side elevation being a mirror image thereof; FIG. 4 is a rear elevational view thereof; FIG. 5 is a front elevational view thereof; FIG. 6 is a top plan view thereof; and FIG. 7 is a bottom plan view thereof.

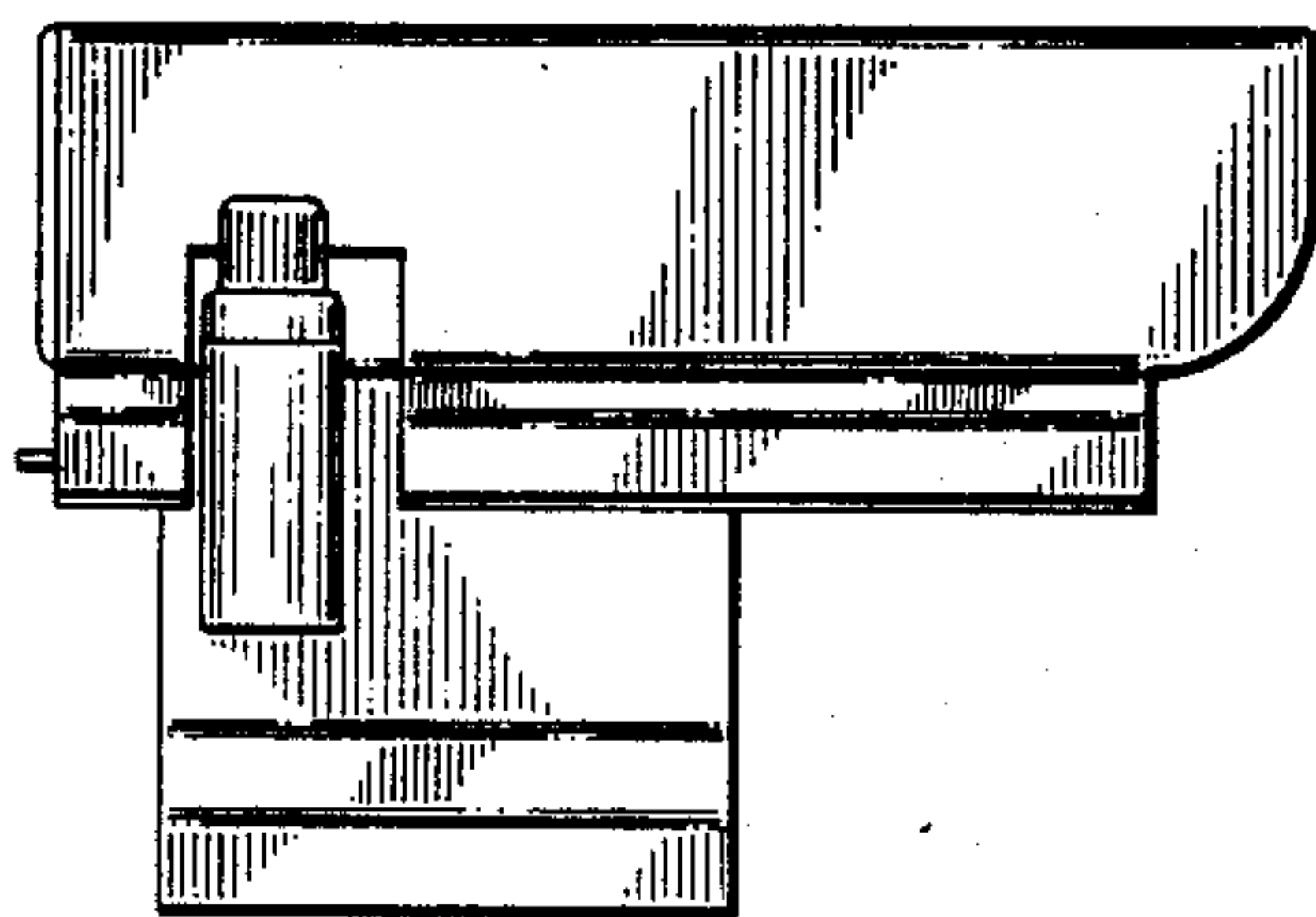




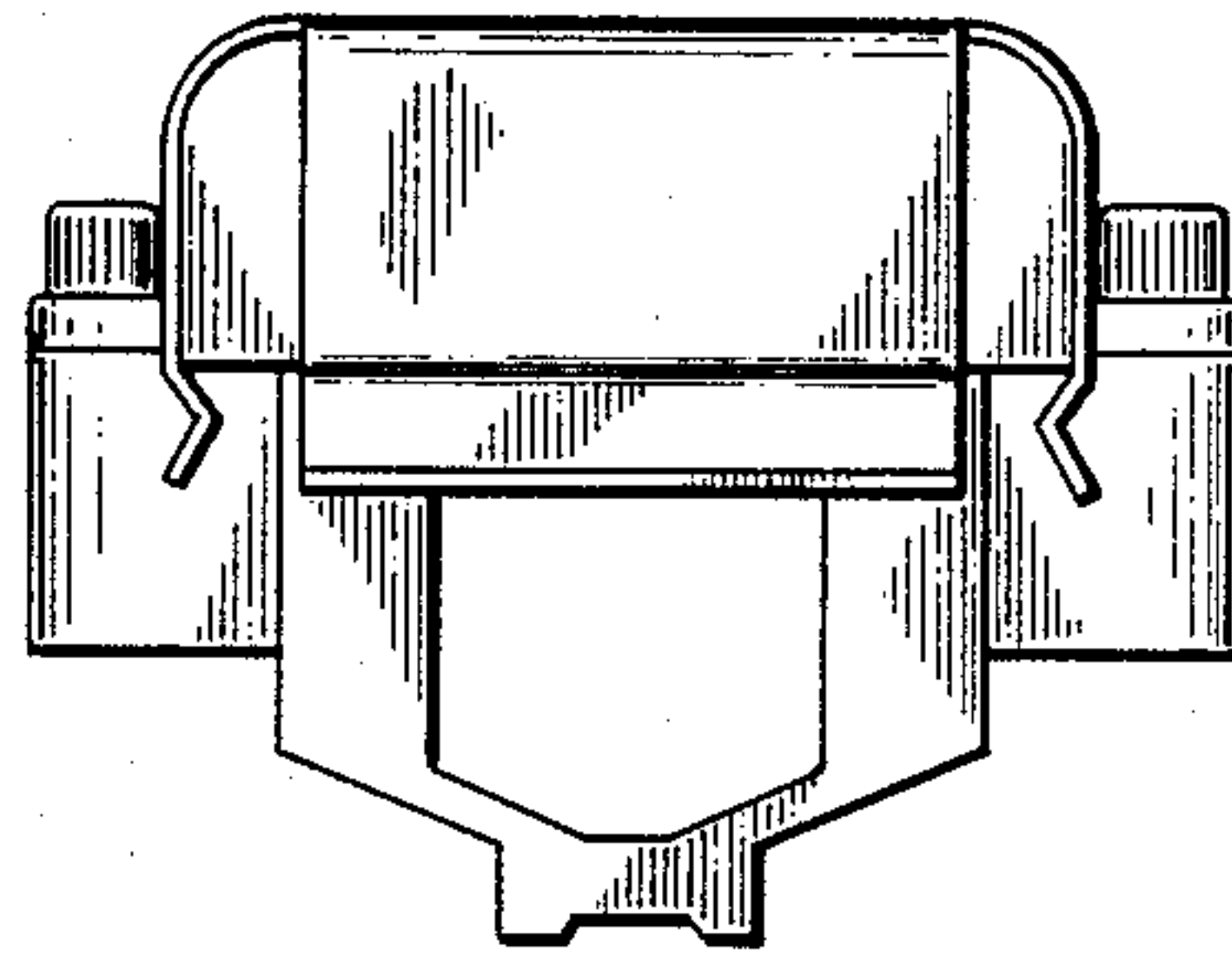
*Fig. 1*



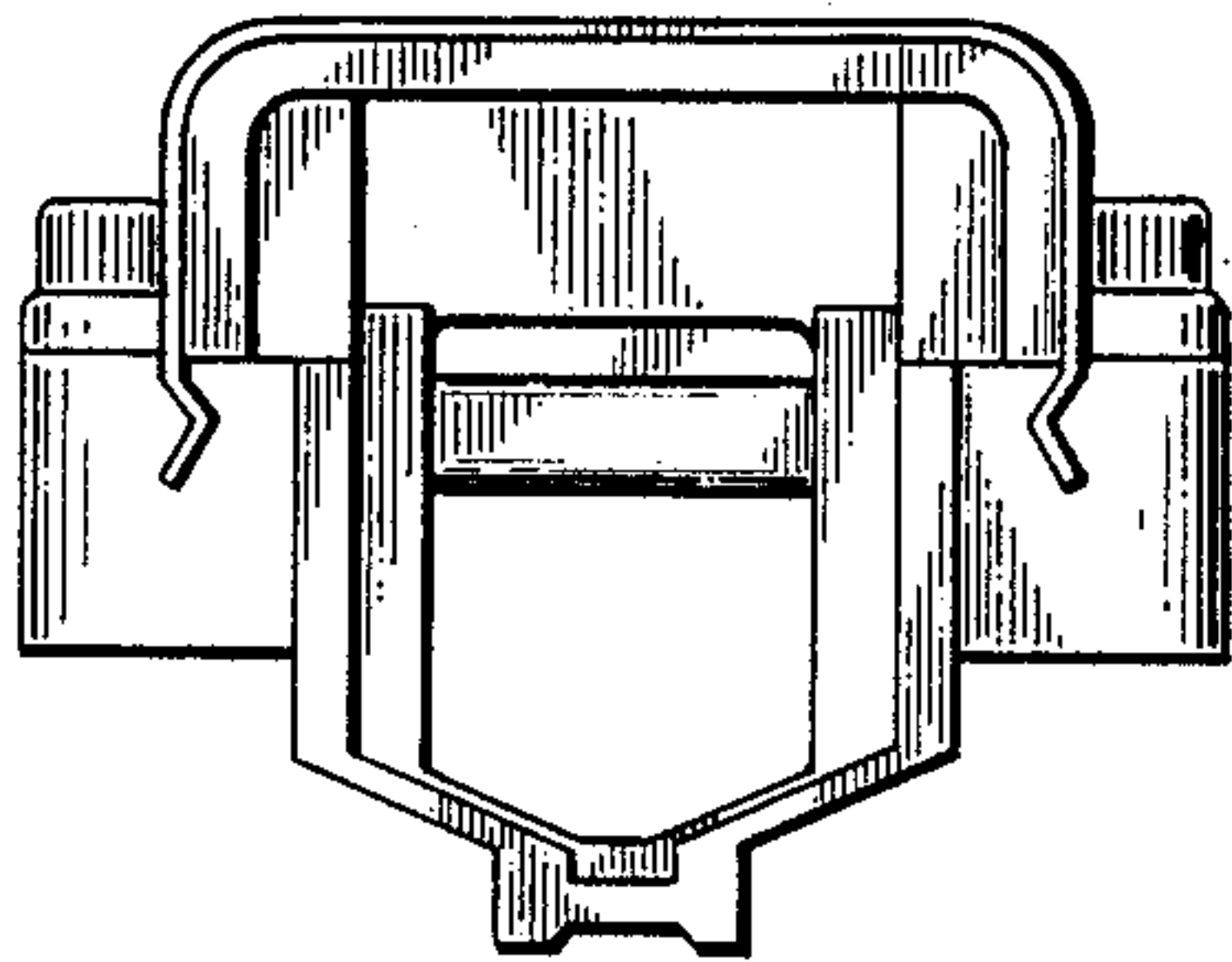
*Fig. 2*



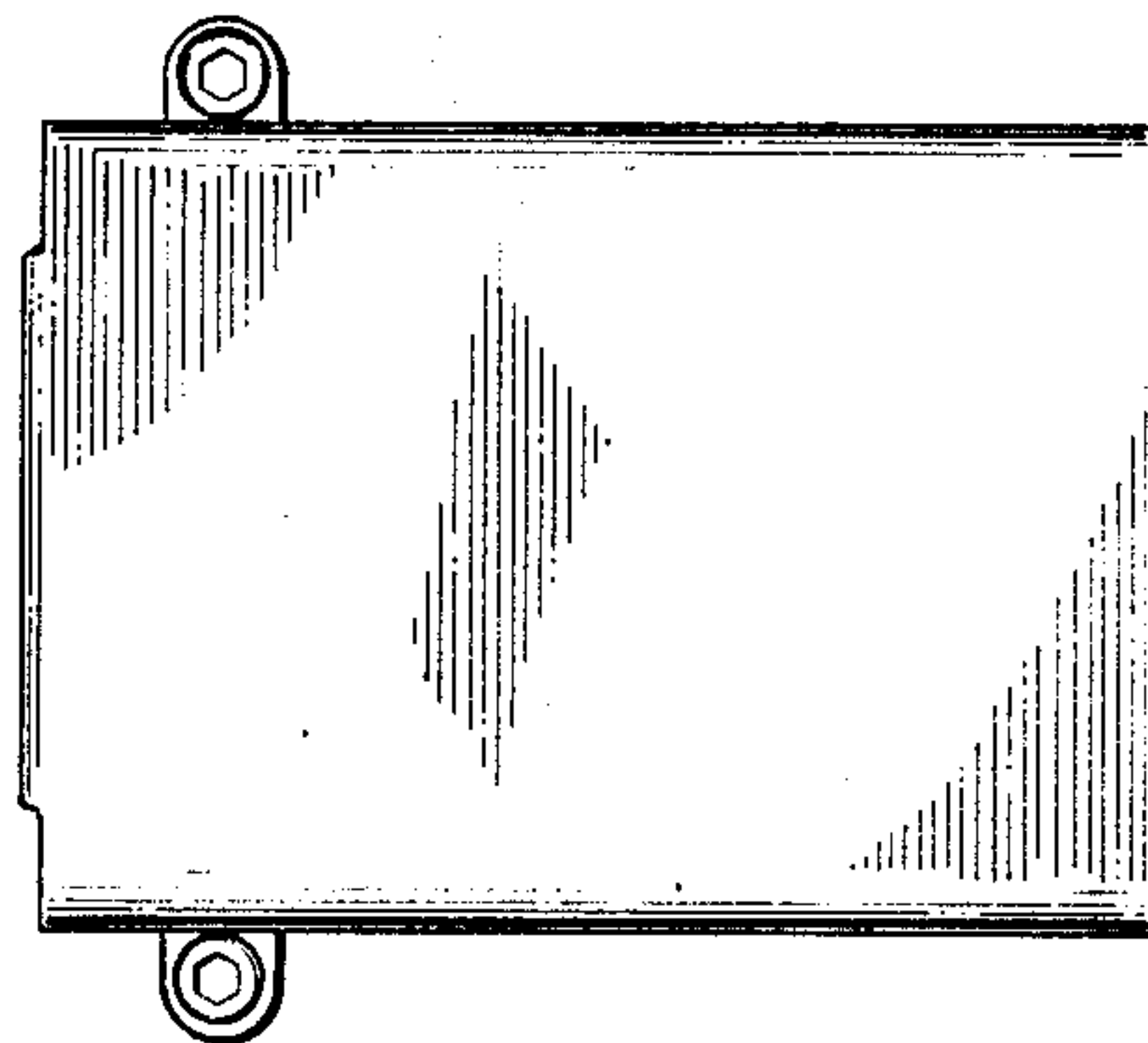
*Fig. 3*



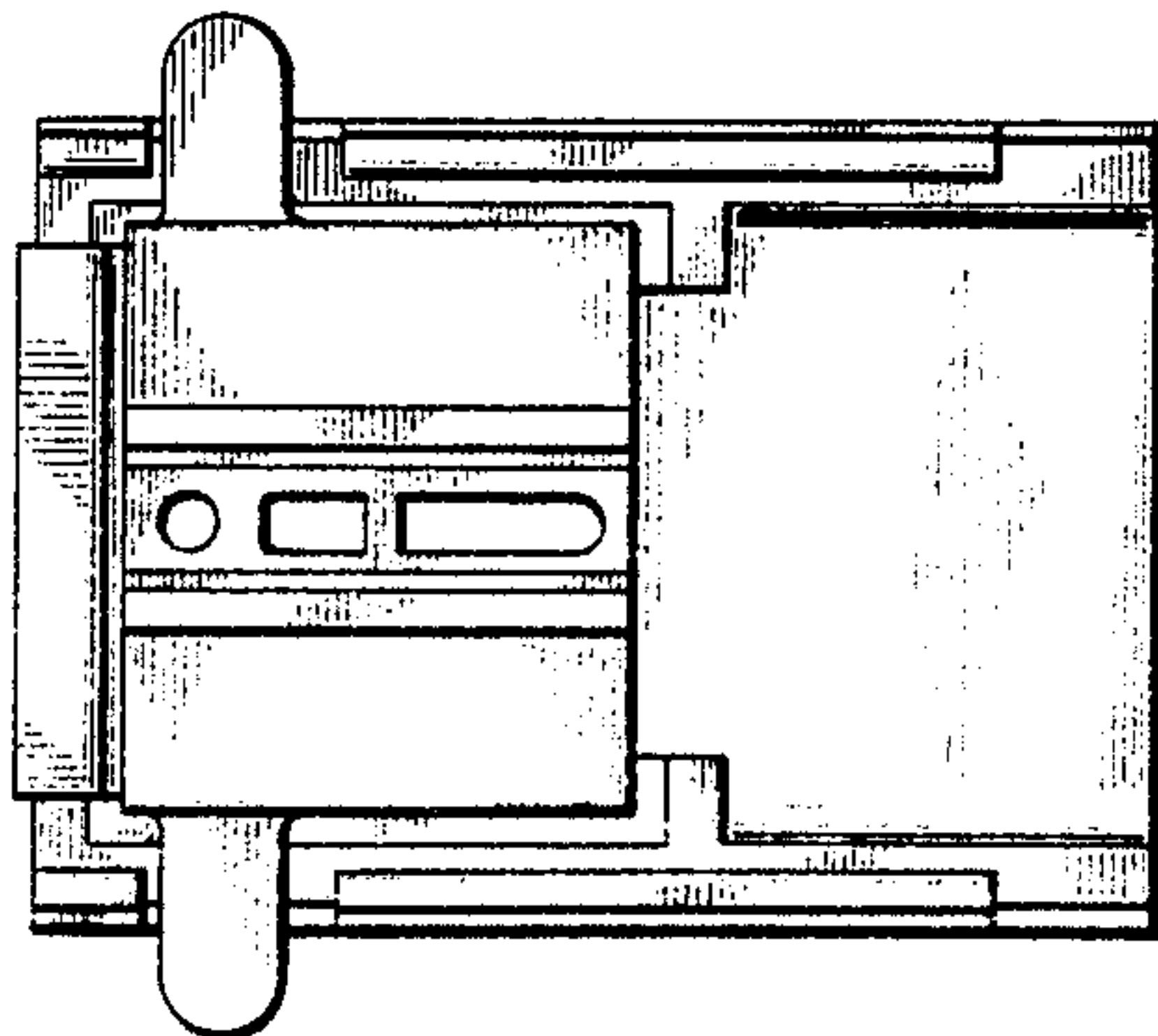
*Fig. 4*



*Fig. 5*



*Fig. 6*



*Fig. 7*