

[54] **BICYCLE EXERCISER**

[75] **Inventor:** Terry D. Alberta, Sunset Beach, Calif.
 [73] **Assignee:** Pro-Tec Sports International, Inc., Compton, Calif.
 [**] **Term:** 14 Years
 [21] **Appl. No.:** 180,252
 [22] **Filed:** Apr. 11, 1988
 [52] **U.S. Cl.** D21/194
 [58] **Field of Search** D21/191.7, 199; 272/73, 272/70.1, 70.2, 70.3, 73.1, 132; 73/379; D6/374, 375

4,796,882 1/1989 Jiumr 272/73

Primary Examiner—Charles A. Rademaker
Attorney, Agent, or Firm—Edward A. Sokolski

[57] **CLAIM**

The ornamental design for a bicycle exerciser, as shown and described.

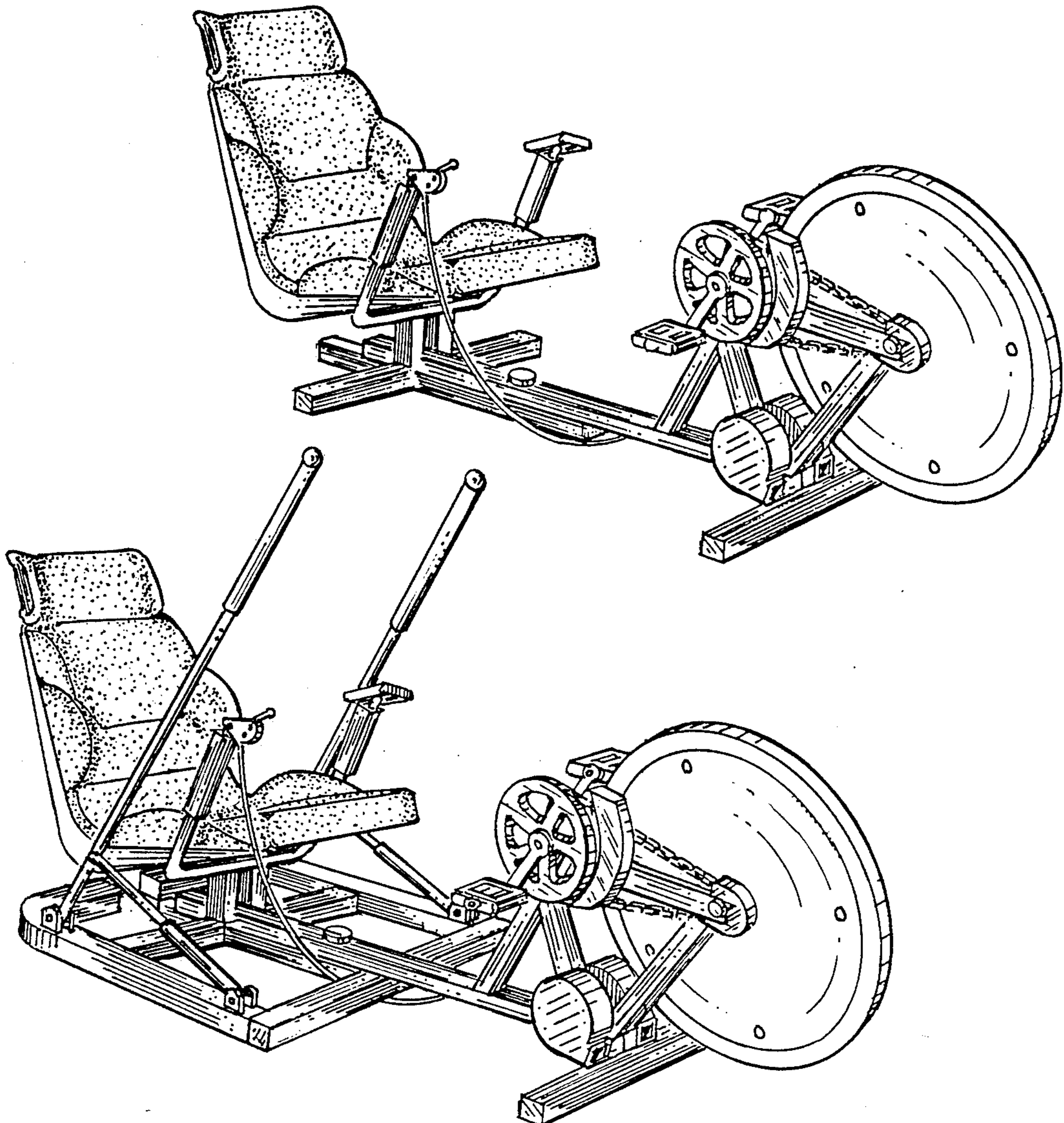
DESCRIPTION

FIG. 1 is a perspective view of a bicycle exerciser showing my new design;
 FIG. 2 is a side elevational view thereof, the side opposite being a mirror image thereof;
 FIG. 3 is a bottom plan view thereof;
 FIG. 4 is a top plan view thereof;
 FIG. 5 is a front elevational view thereof;
 FIG. 6 is a rear elevational view thereof;
 FIG. 7 is a perspective view of a modified embodiment of the design show in FIGS. 1-6;
 FIG. 8 is a side elevational view thereof, the side opposite being a mirror image thereof;
 FIG. 9 is a front elevational view thereof; and
 FIG. 10 is a rear elevational view thereof.

[56] **References Cited**

U.S. PATENT DOCUMENTS

D. 260,329	8/1981	Ehrlin et al.	D6/375
D. 298,641	11/1988	Sheltra	D21/194
D. 300,047	2/1989	Sheltra	D21/194
4,712,789	12/1987	Brilando	272/73
4,762,317	8/1988	Camfield et al.	272/73



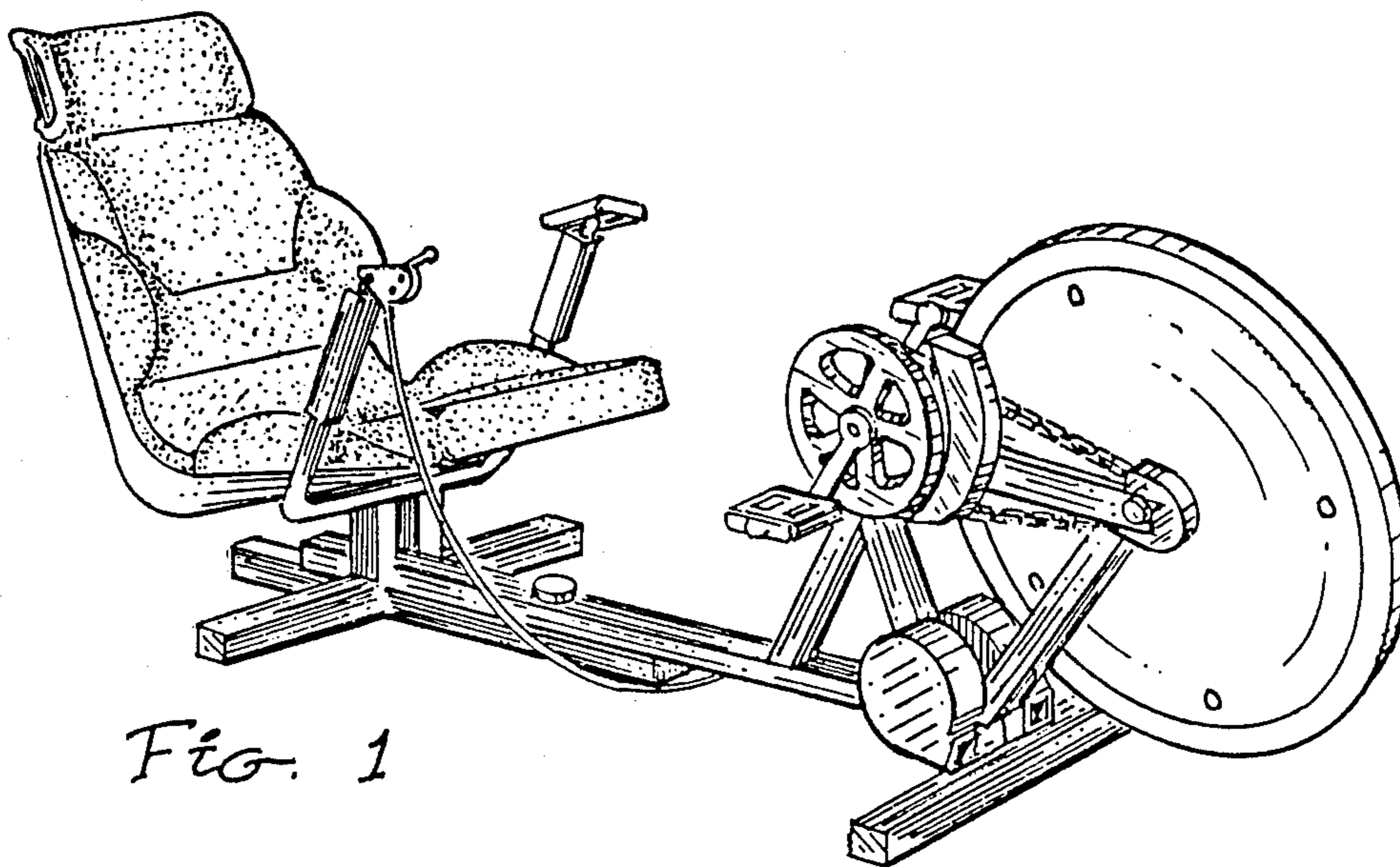


Fig. 1

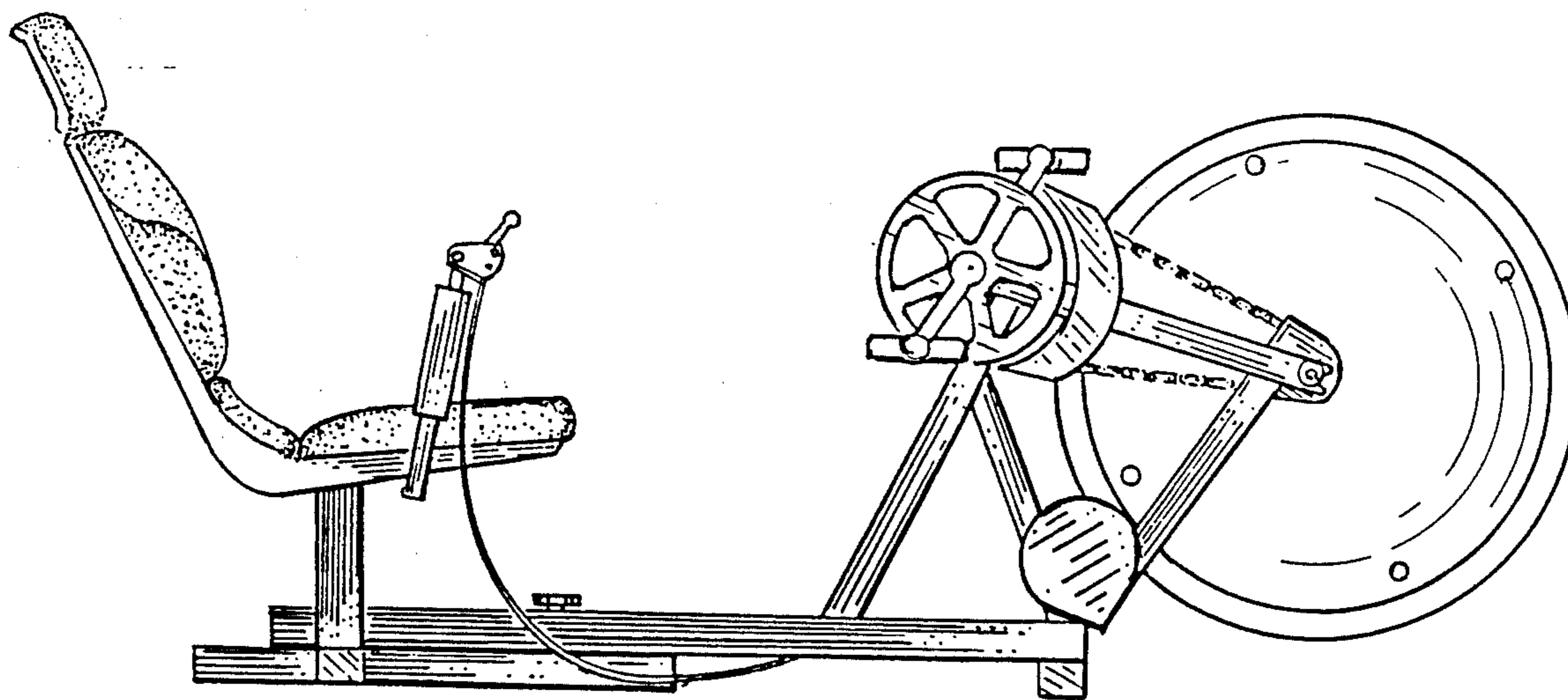


Fig. 2

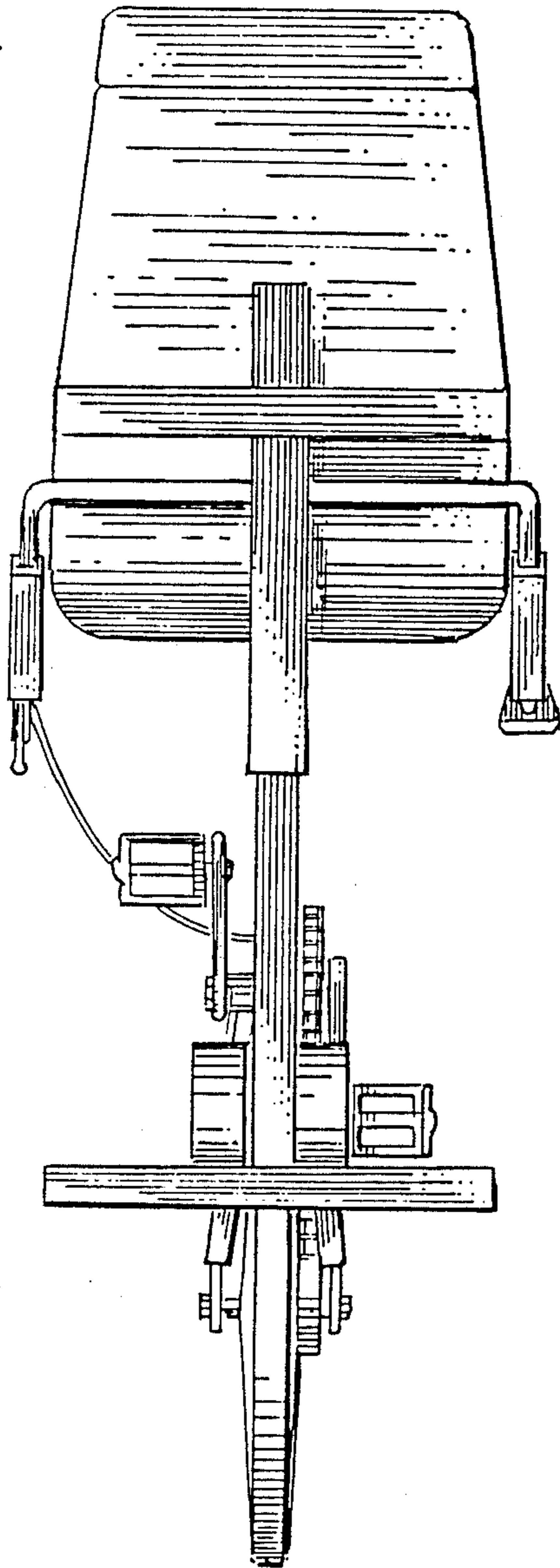


Fig. 3

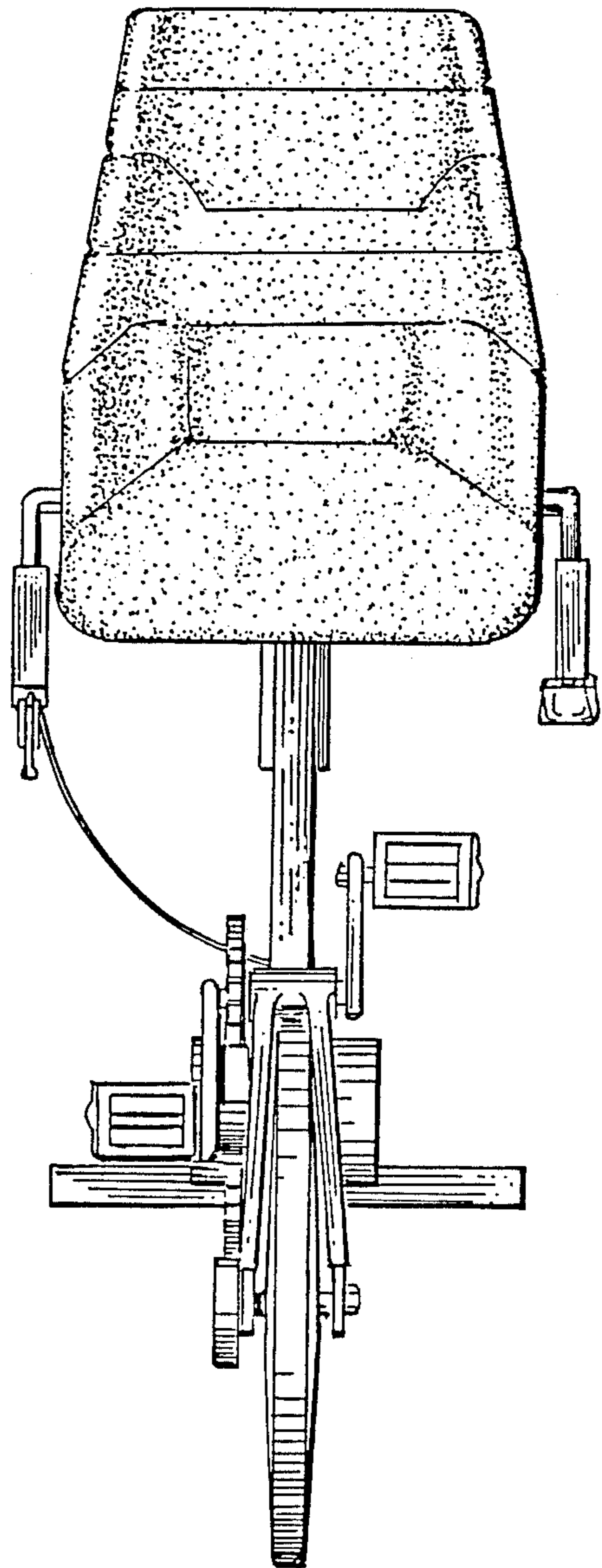


Fig. 4

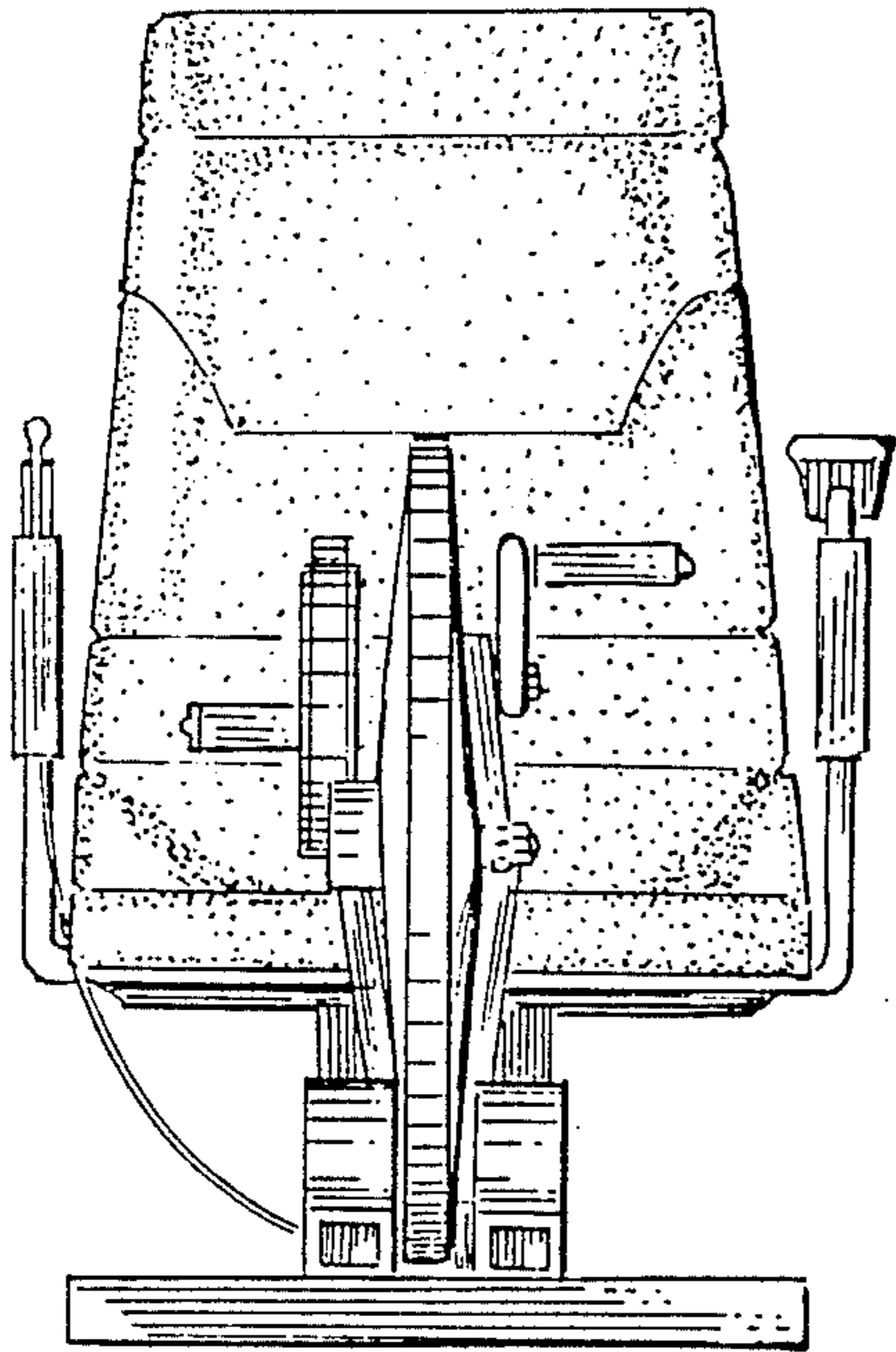


FIG. 5

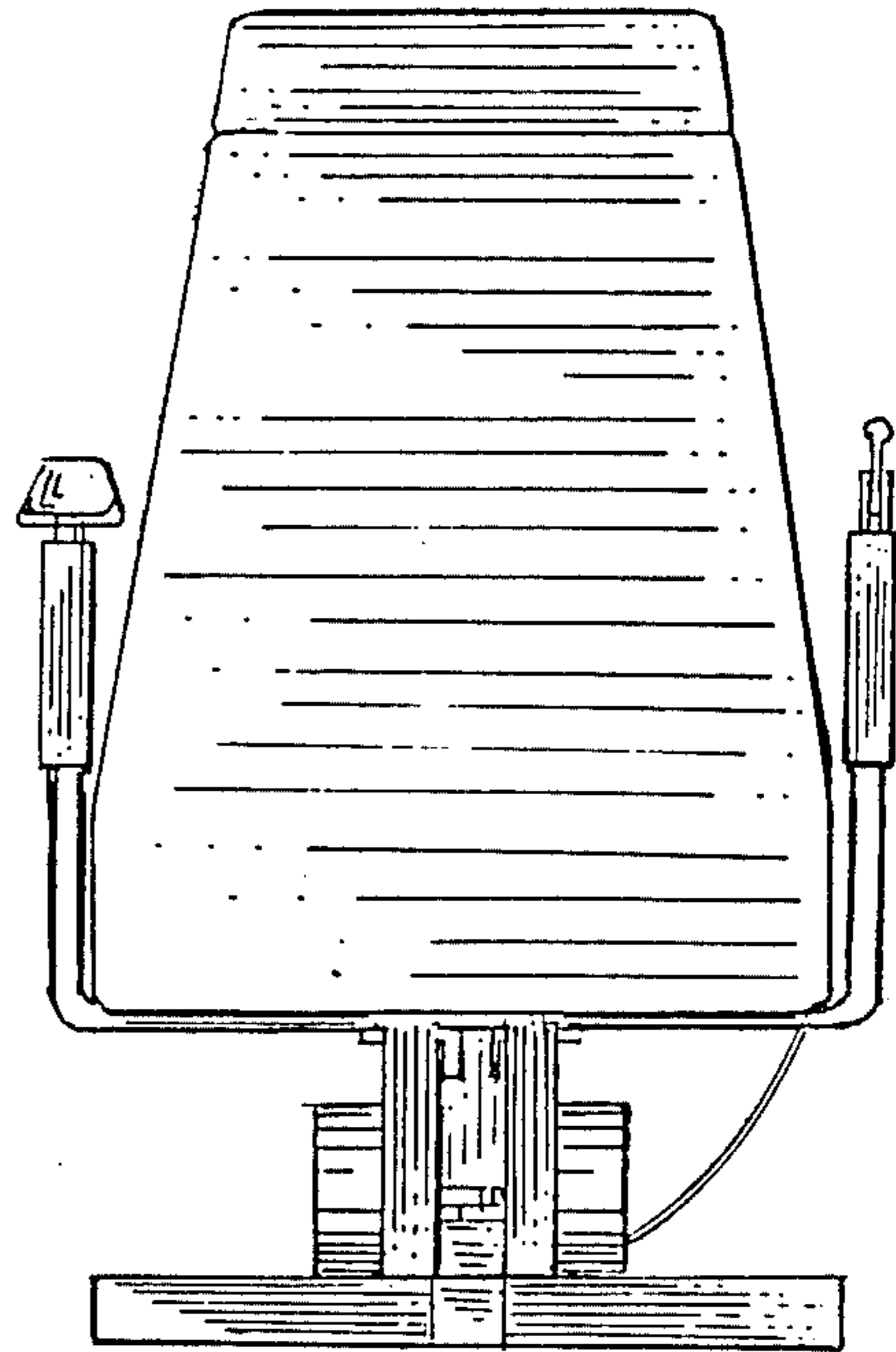


FIG. 6

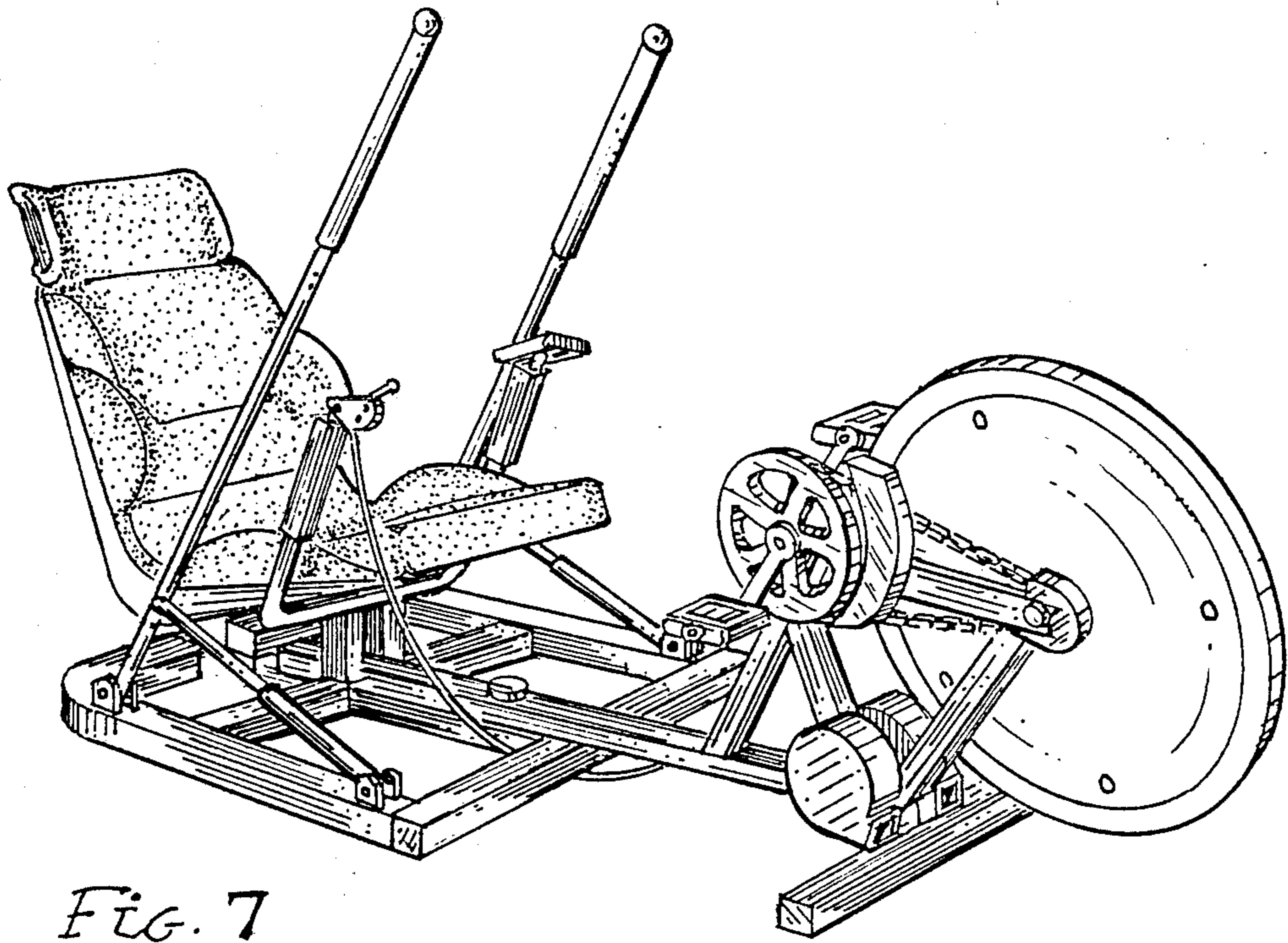


Fig. 7

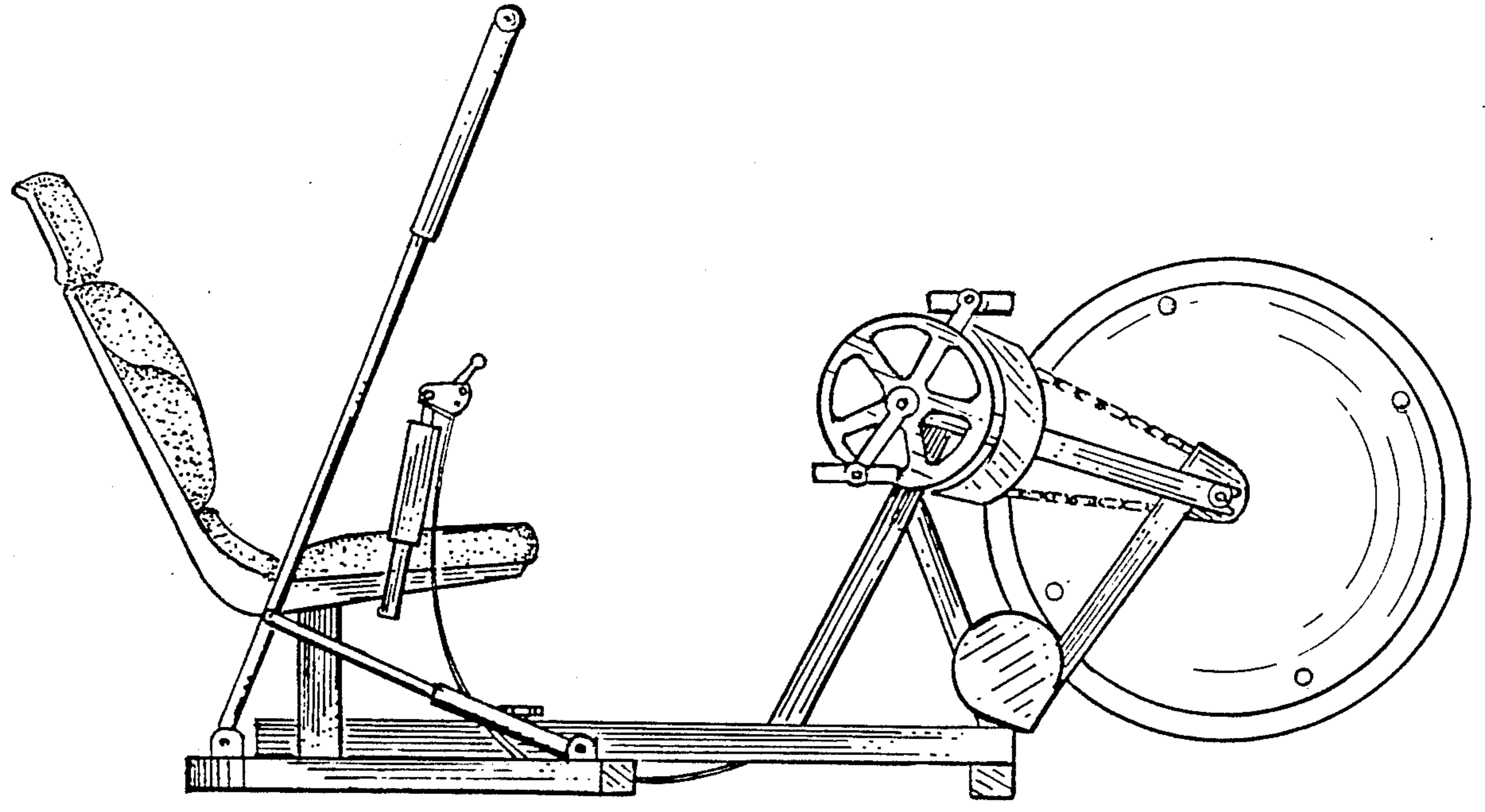


Fig. 8

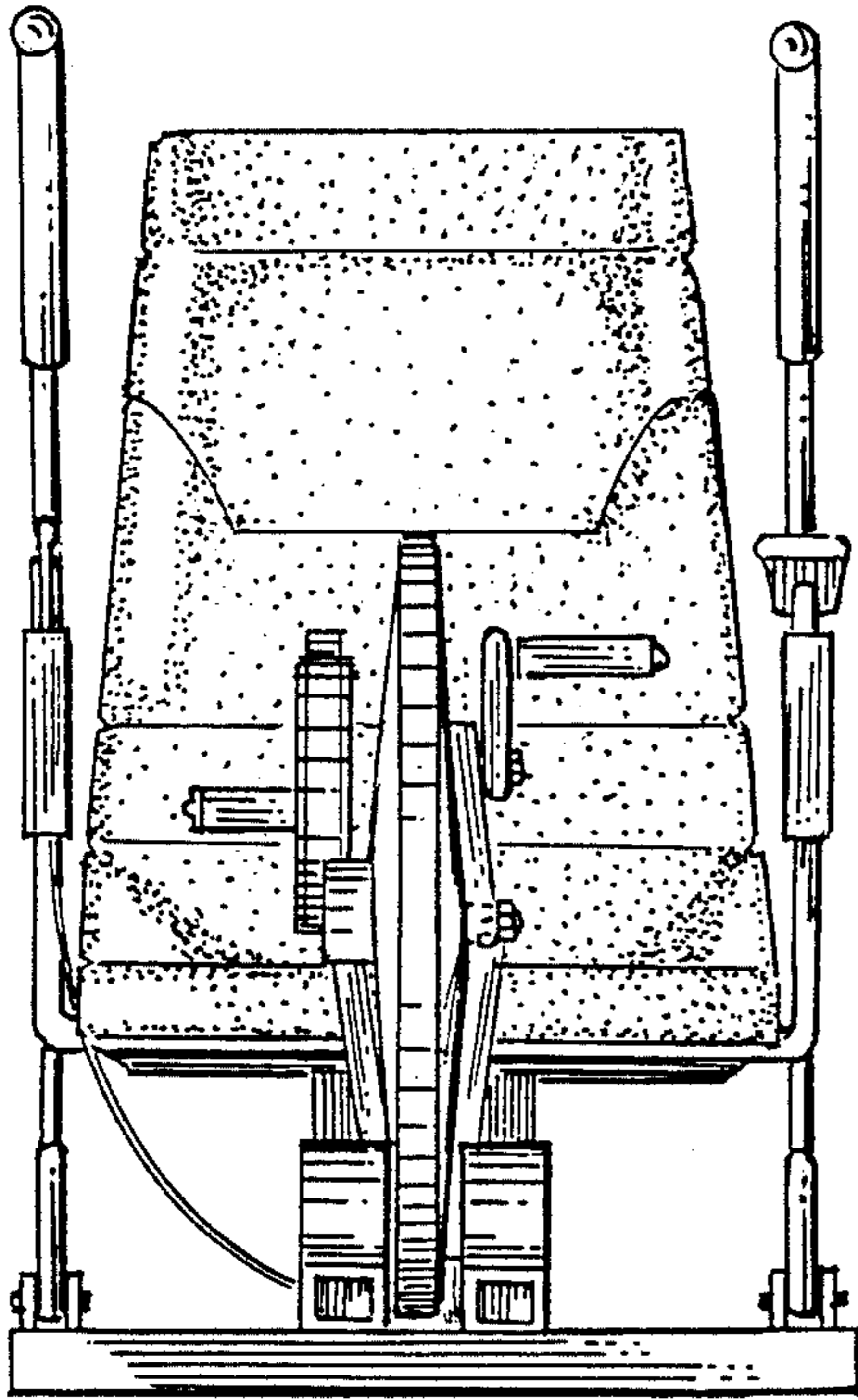


FIG. 9

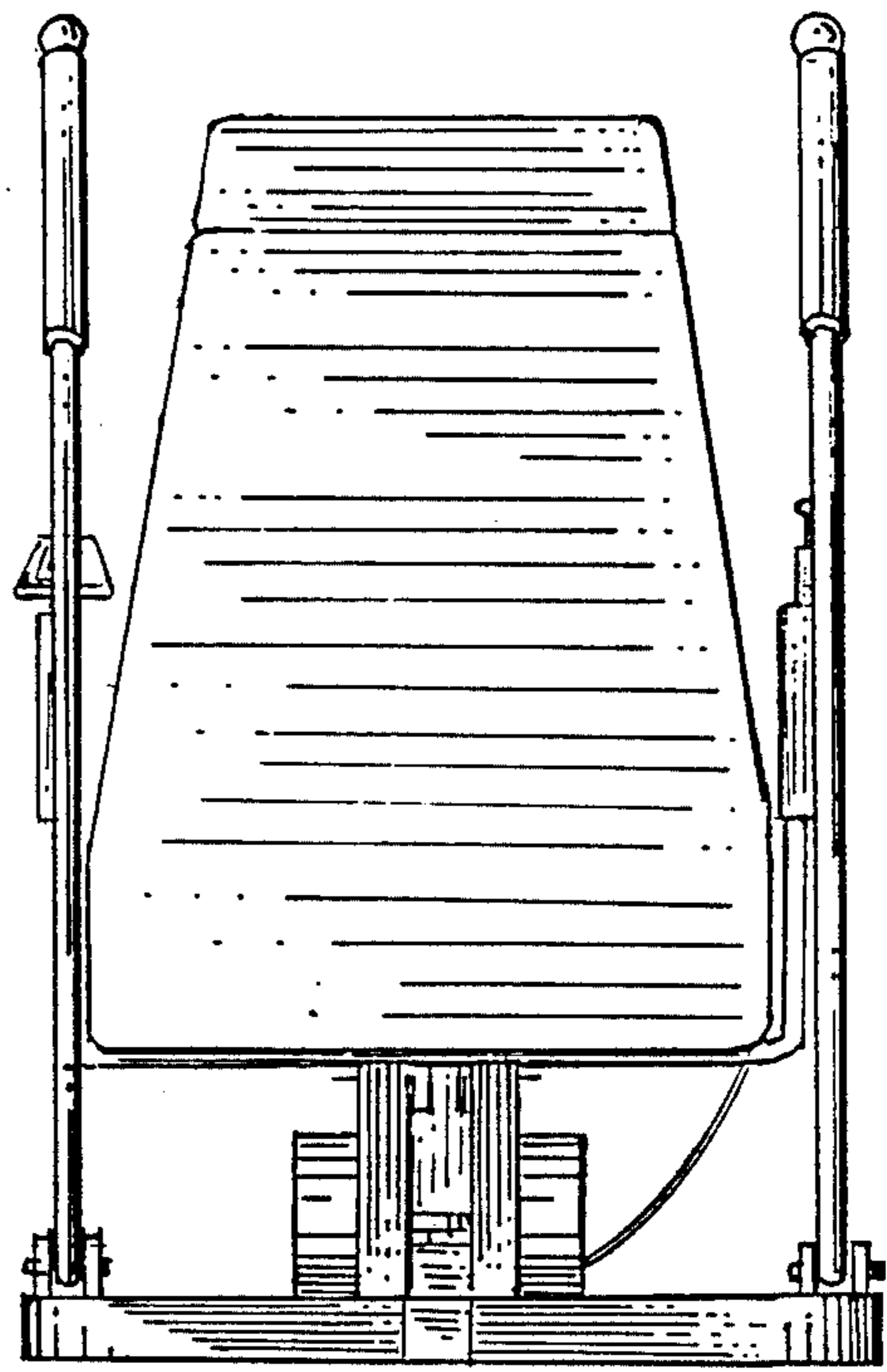


Fig. 10