

# United States Patent [19]

Gecchelin

[11] Patent Number: Des. 308,077

[45] Date of Patent: \*\* May 22, 1990

[54] PAPER HOLDER

[75] Inventor: Bruno Gecchelin, Milan, Italy

[73] Assignee: Fratelli Guzzini S.p.A., Recanati, Italy

[\*\*] Term: 14 Years

[21] Appl. No.: 73,422

[22] Filed: Jul. 15, 1987

[30] Foreign Application Priority Data

Jan. 20, 1987 [IT] Italy ..... 20543/87[U]

[52] U.S. Cl. .... D19/90; D19/75;  
D19/86; D19/91; D19/95

[58] Field of Search ..... D19/35, 36, 65, 75,  
D19/77, 86, 86, 90, 91, 95, 92; 211/10, 55, 50,  
45

[56] References Cited

U.S. PATENT DOCUMENTS

D. 185,130 5/1959 Camilli ..... D19/90 X  
D. 251,254 3/1979 Tiedemann ..... D19/90

D. 269,574 7/1983 Dougherty ..... D19/90 X  
D. 270,256 8/1983 Sankey ..... D19/85 X  
D. 274,242 6/1984 Fineout ..... D19/77  
D. 290,141 6/1987 Rabig ..... D19/90  
D. 290,852 7/1987 Wang ..... D19/75  
2,202,300 5/1940 Posnack ..... 211/69.1 X

Primary Examiner—Nelson C. Holtje

Assistant Examiner—Martha Thompson

Attorney, Agent, or Firm—Hedman, Gibson, Costigan & Hoare

[57] CLAIM

The ornamental design for a paper holder, as shown and described.

DESCRIPTION

FIG. 1 is a top perspective view of a paper holder showing my new design;

FIG. 2 is a side elevational view, the opposite side being a mirror thereof;

FIG. 3 is a bottom plan view;

FIG. 4 is a top plan view;

FIG. 5 is a front elevational view; and

FIG. 6 is a rear elevational view thereof.

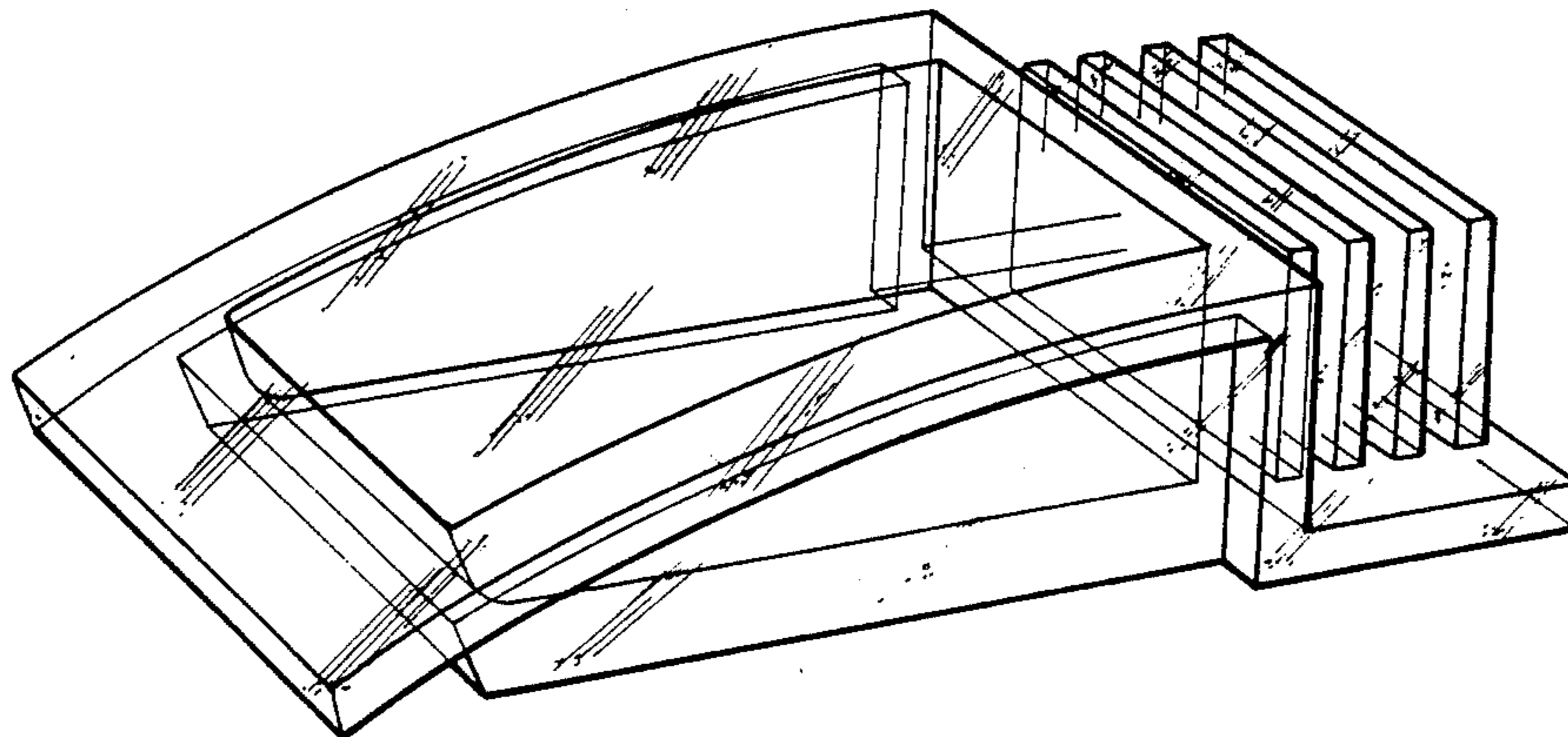


Fig.1

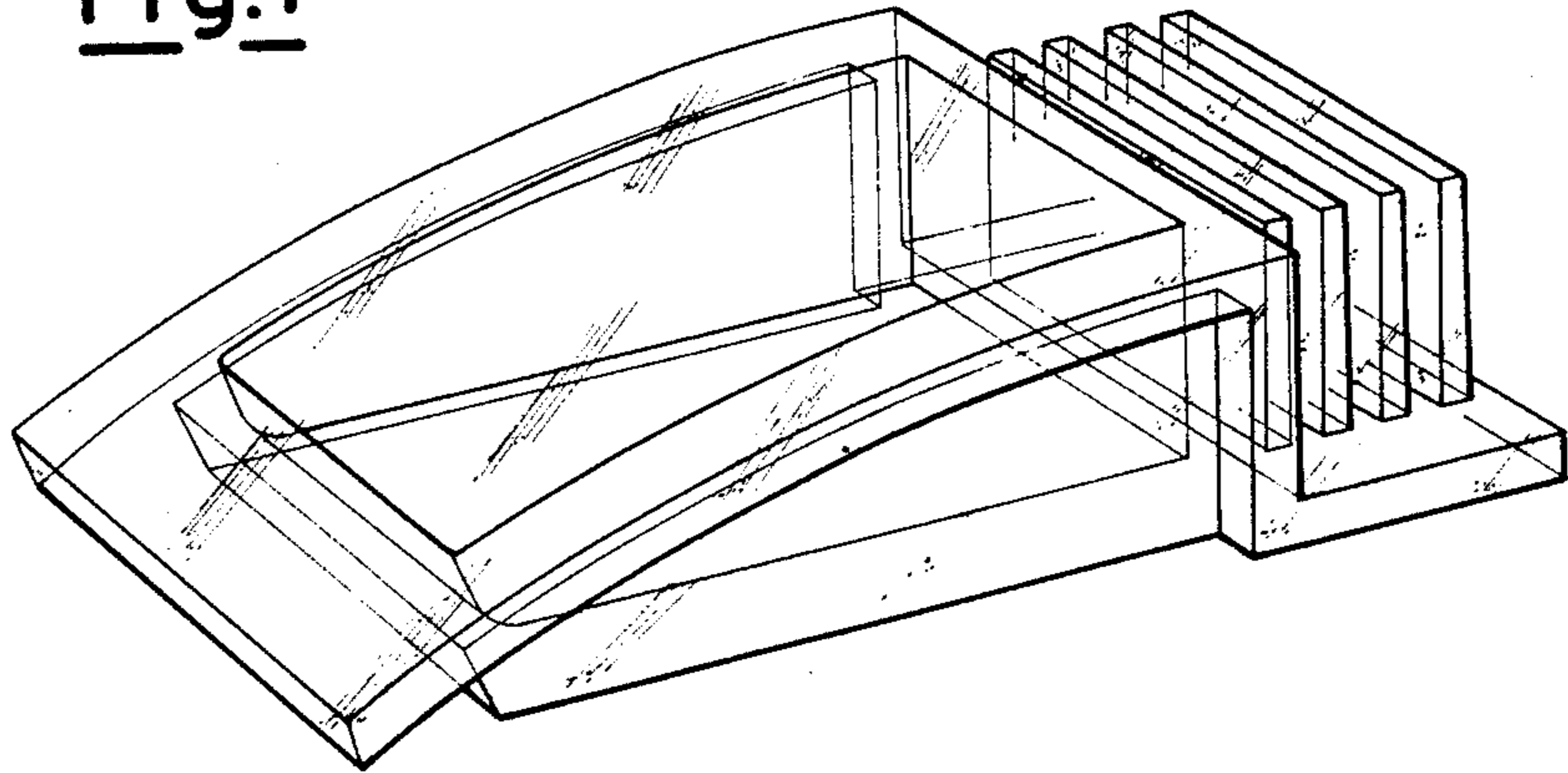


Fig.5

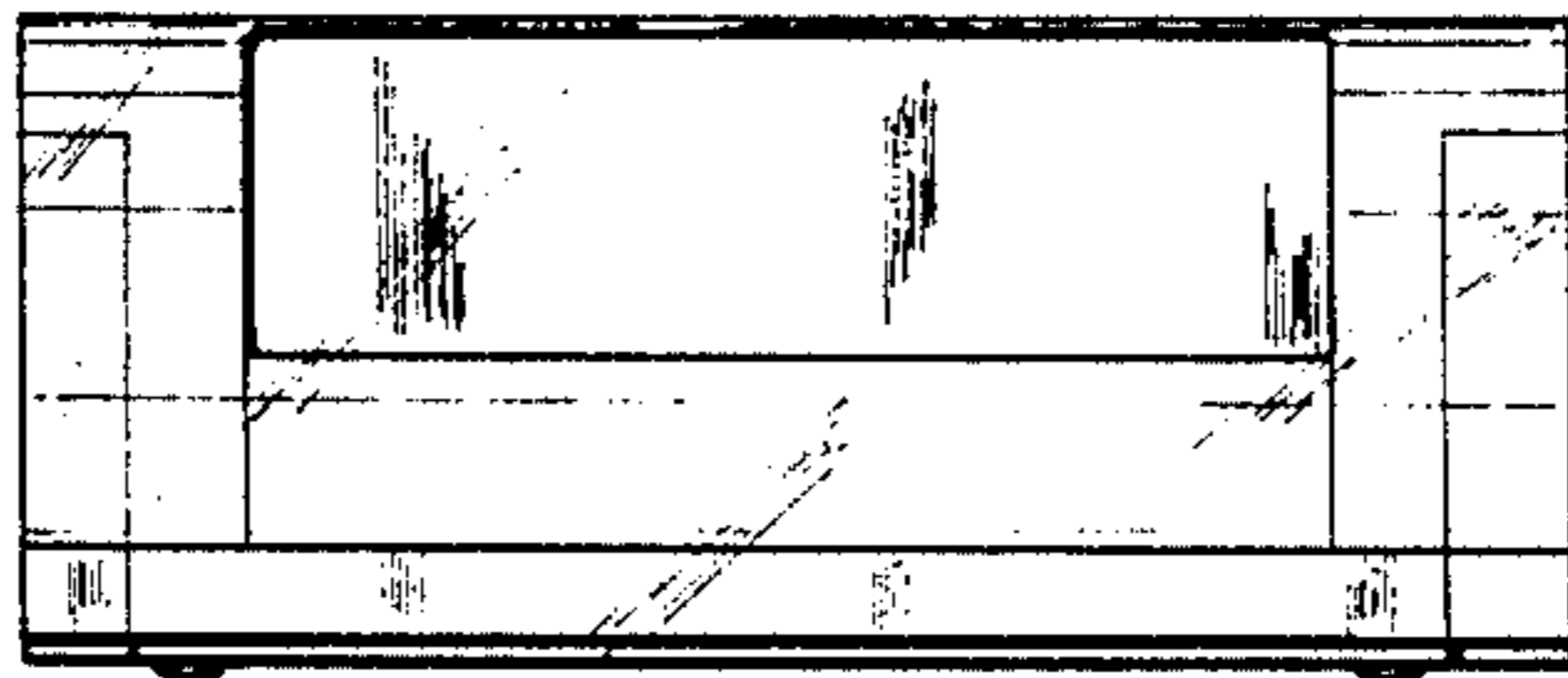


Fig.6



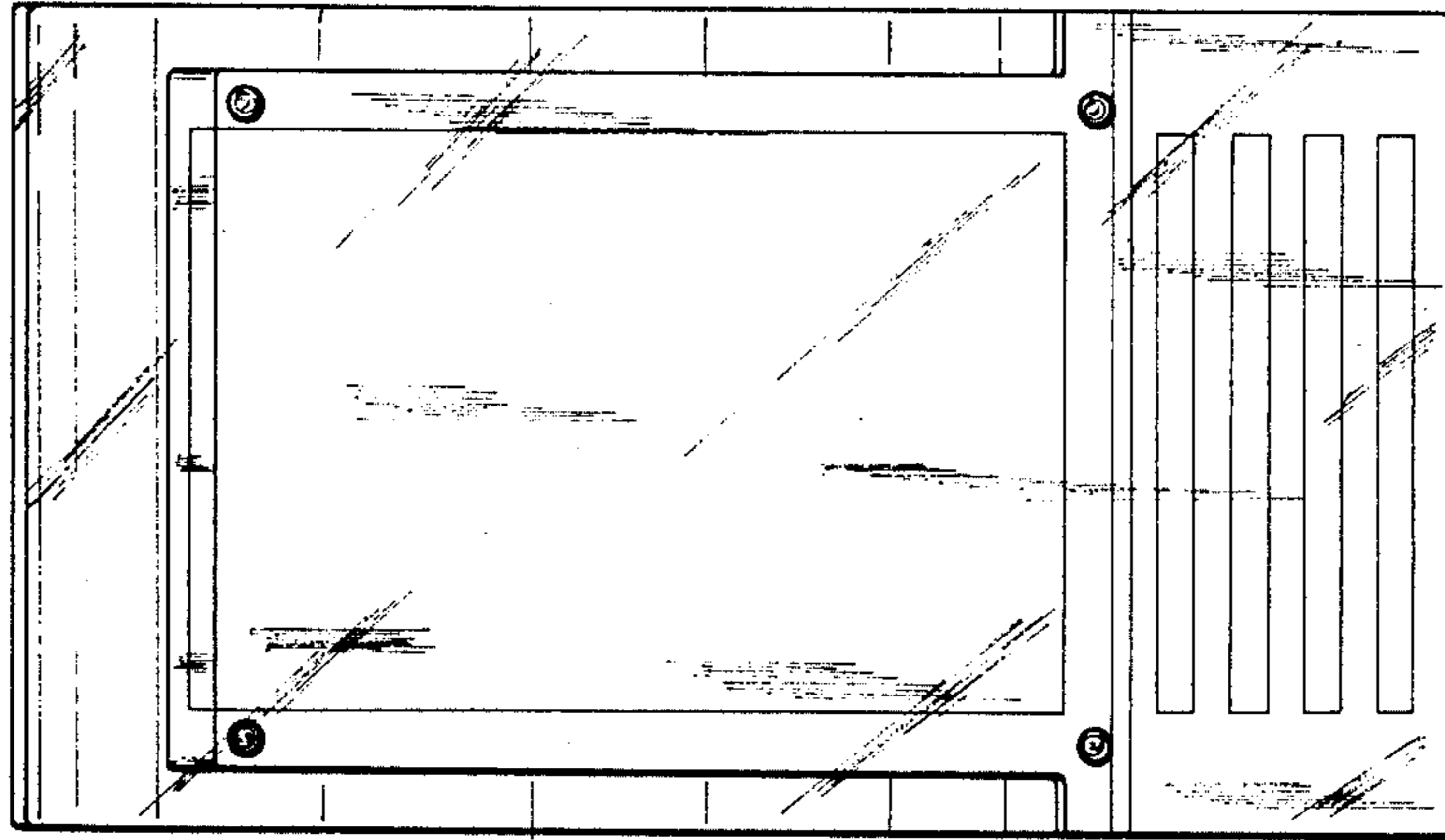


Fig.3

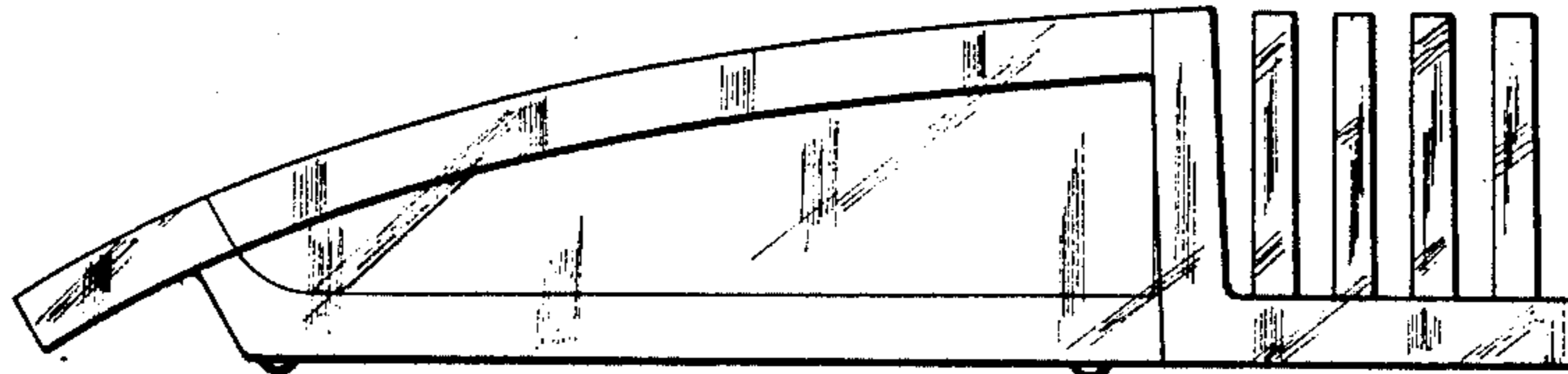


Fig.2

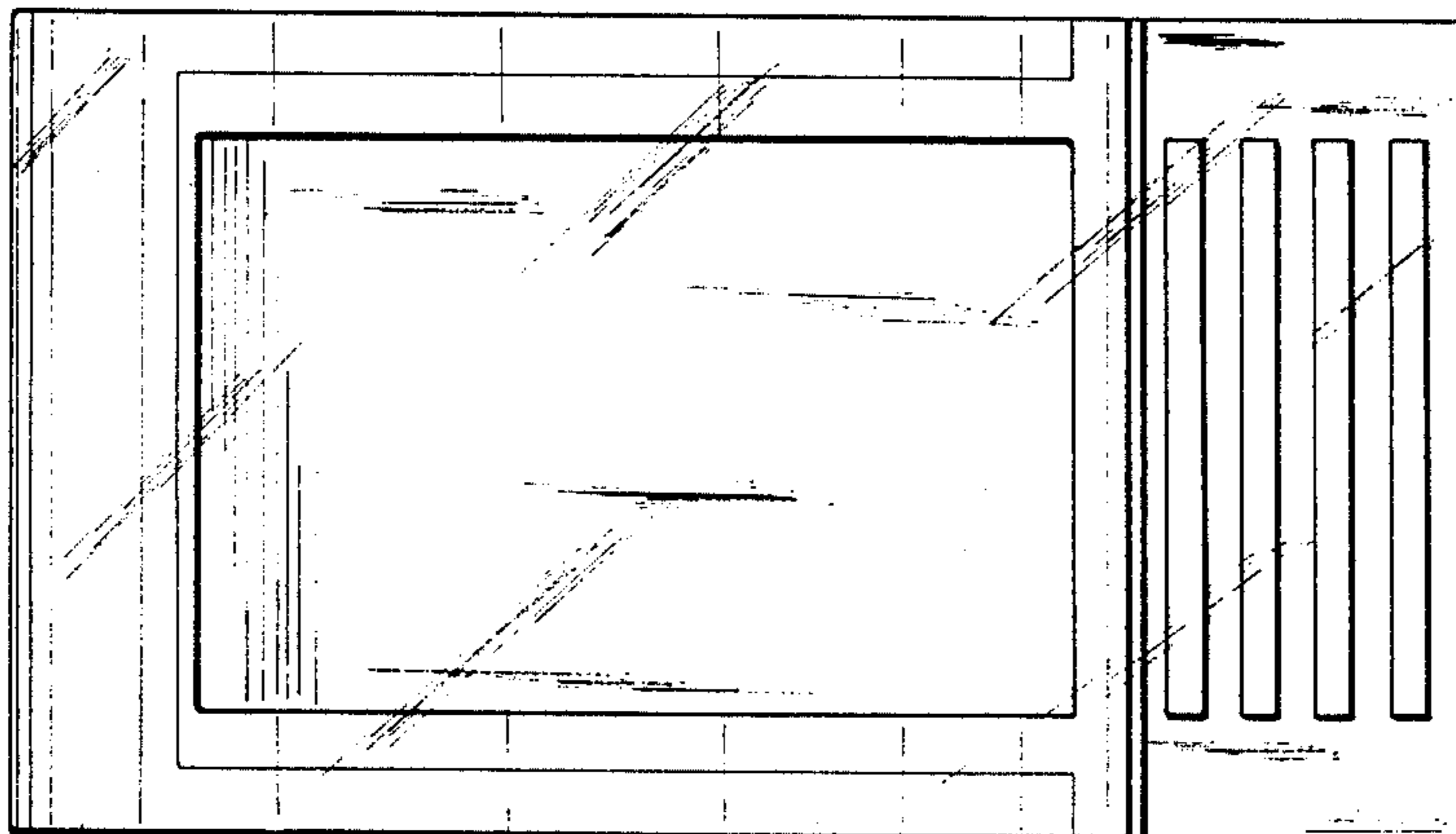


Fig.4