

[54] **HOLDER FOR WRITING INSTRUMENTS**

[75] **Inventor: Bruno Gecchelin, Milan, Italy**

[73] **Assignee: Fratelli Guzzini S.p.A., Recanati, Italy**

[\*\*] **Term: 14 Years**

[21] **Appl. No.: 73,421**

[22] **Filed: Jul. 15, 1987**

[30] **Foreign Application Priority Data**

Jan. 20, 1987 [IT] Italy ..... 20544/87[U]

[52] **U.S. Cl. .... D19/85; D19/75; D19/81**

[58] **Field of Search ..... D19/65, 75, 77, 81, D19/84, 85, 95; 206/214, 224, 371; 211/69.1**

[56] **References Cited**

**U.S. PATENT DOCUMENTS**

D. 217,040 3/1970 Smith ..... D19/85 X  
D. 219,719 1/1971 Fleming ..... D19/77 X  
D. 233,430 10/1974 Saltz ..... D19/85

D. 250,653 12/1978 Tiedemann ..... D19/85  
D. 265,224 5/1982 Henkels ..... D19/85 X  
D. 267,618 1/1983 Liptak ..... D19/85 X  
D. 282,233 1/1986 Kelley ..... D19/85 X  
3,327,688 6/1987 Smith ..... 206/214

*Primary Examiner*—Bruce W. Dunkins

*Assistant Examiner*—Martha Thompson

*Attorney, Agent, or Firm*—Hedman, Gibson, Costigan & Hoare

[57] **CLAIM**

The ornamental design for a holder for writing instruments, as shown and described.

**DESCRIPTION**

FIG. 1 is a top perspective view of a holder for writing instruments showing my new design;

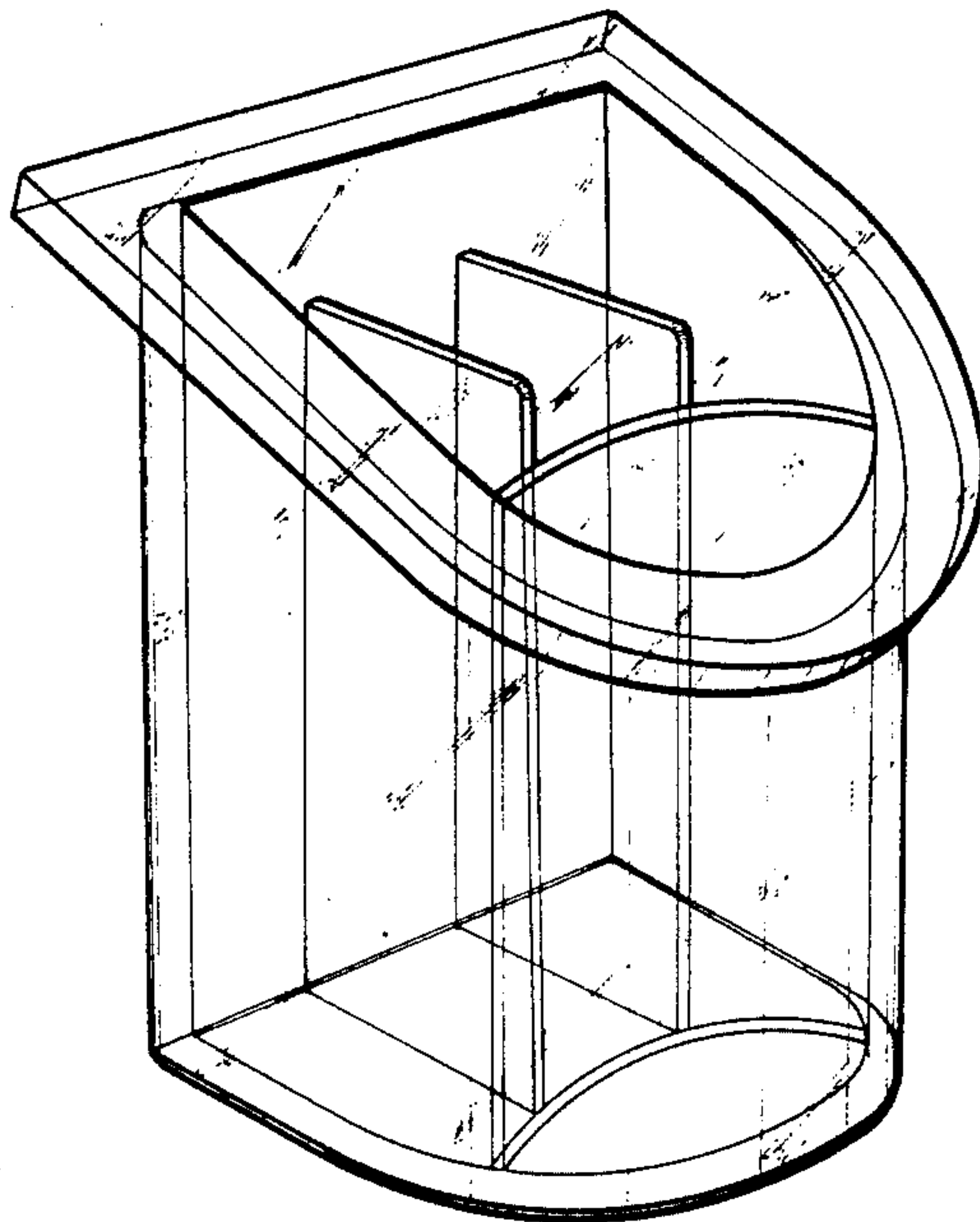
FIG. 2 is a front elevational view;

FIG. 3 is a rear elevational view;

FIG. 4 is a side elevational view, the opposite side being a mirror image thereof;

FIG. 5 is a bottom plan view; and

FIG. 6 is a top plan view thereof.



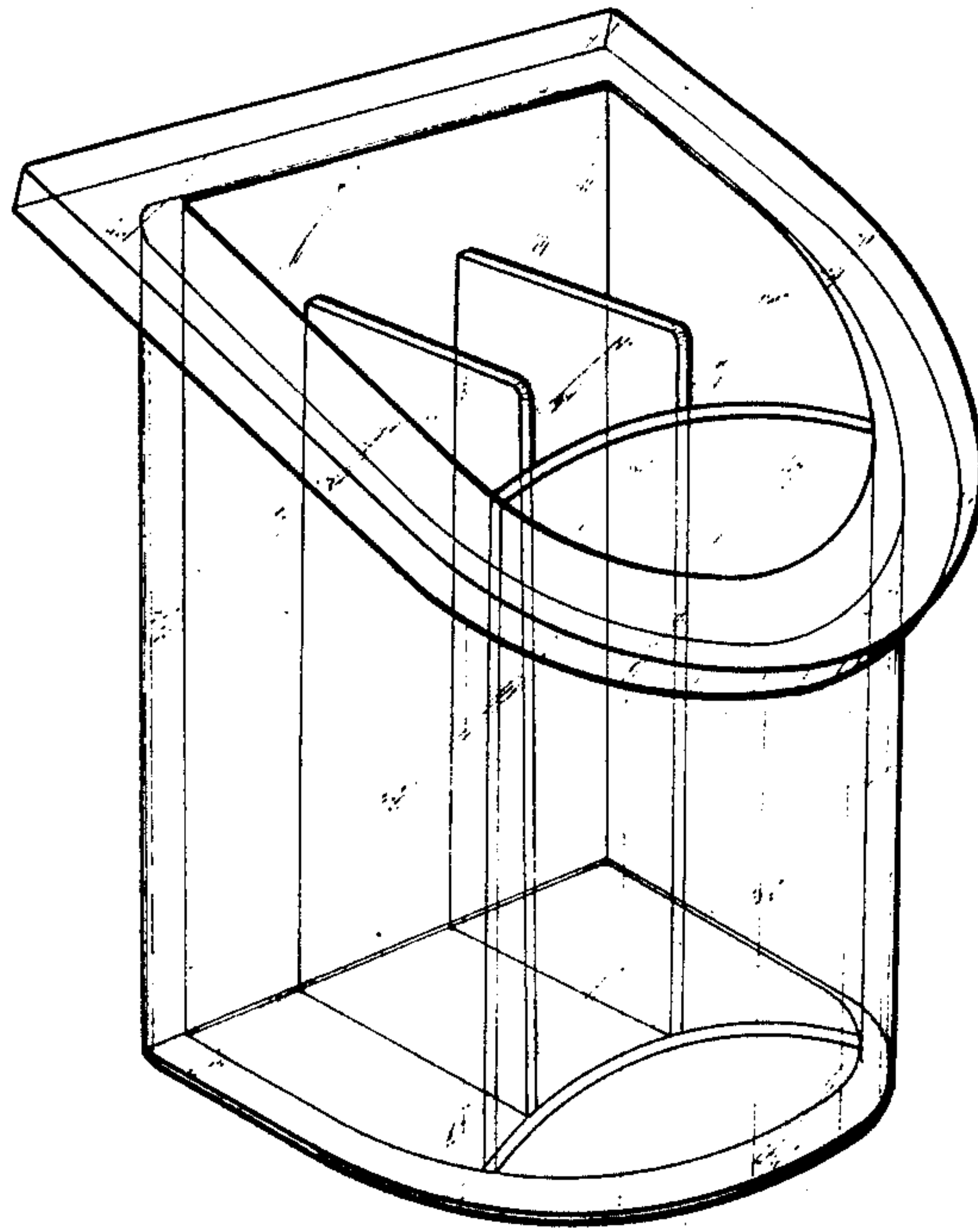


Fig.1

Fig.3

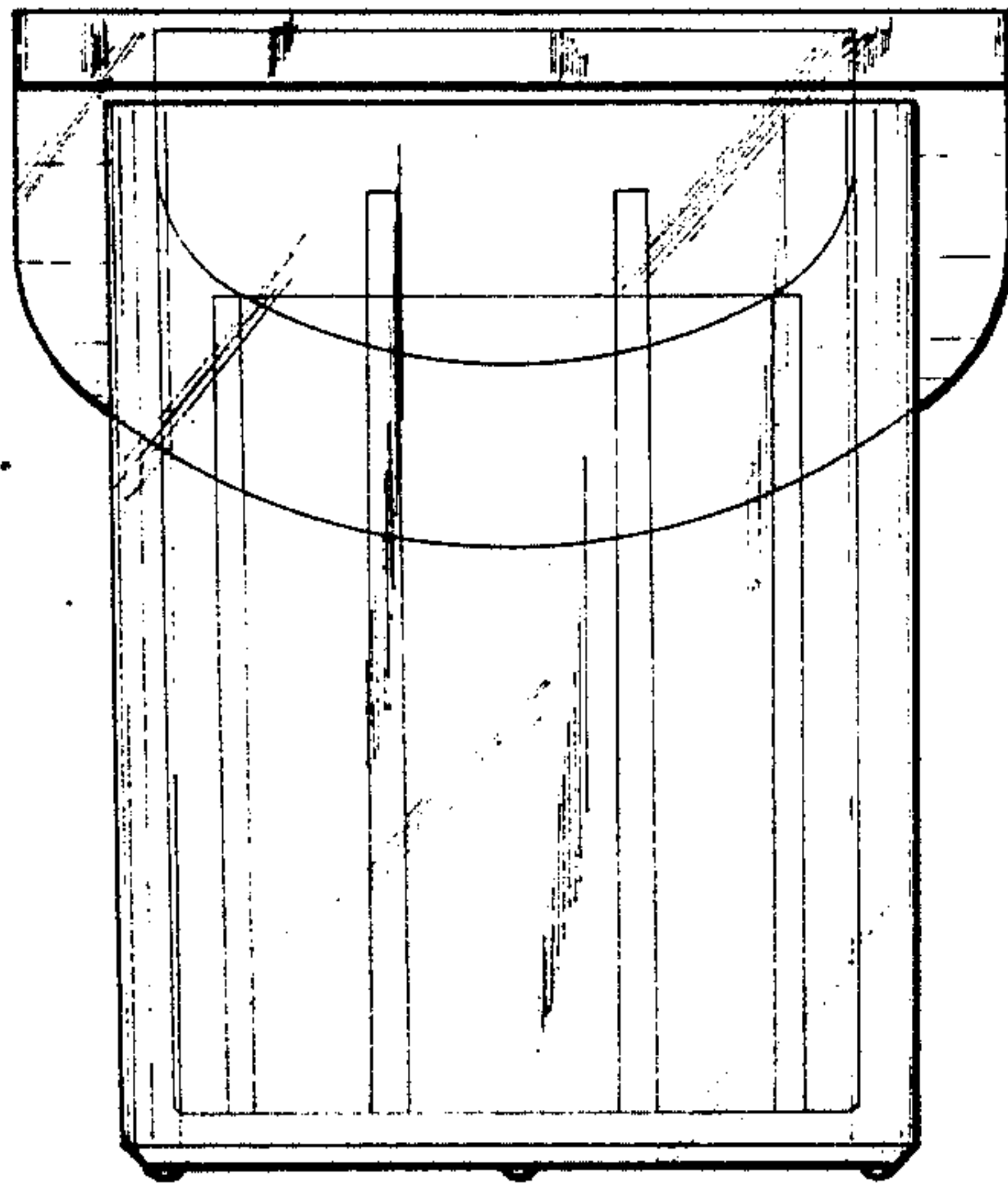


Fig.2

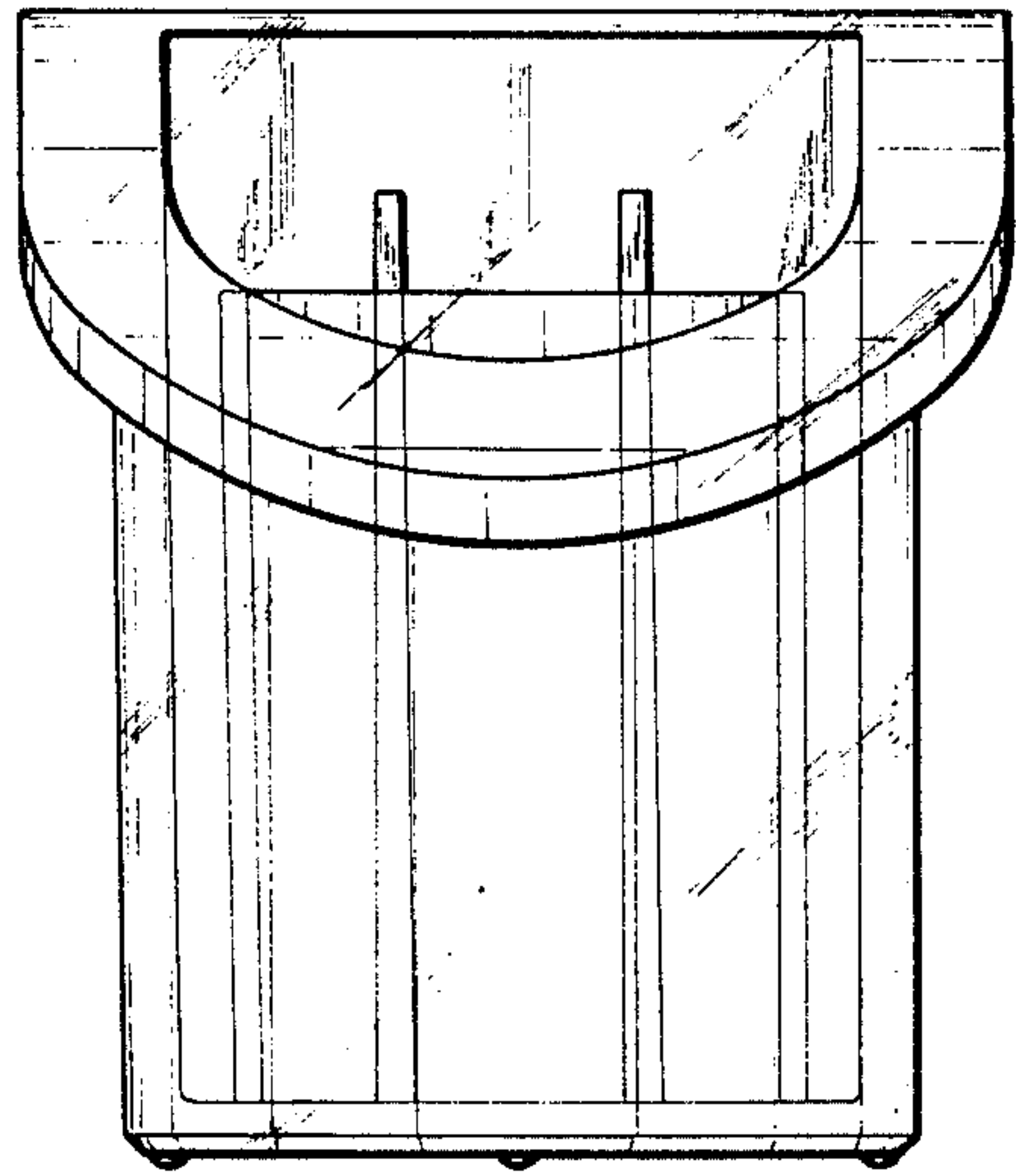


Fig.5

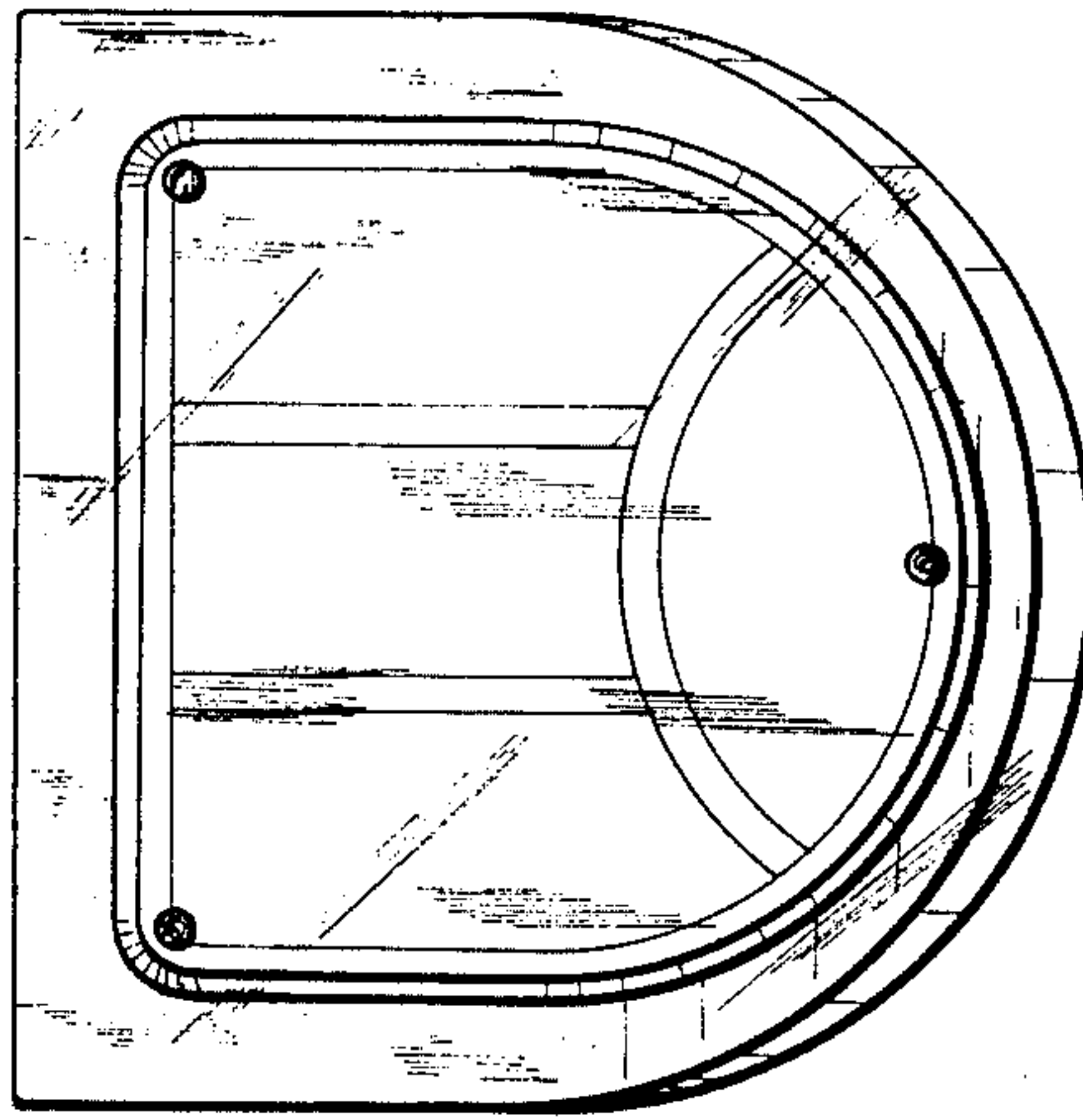


Fig.4

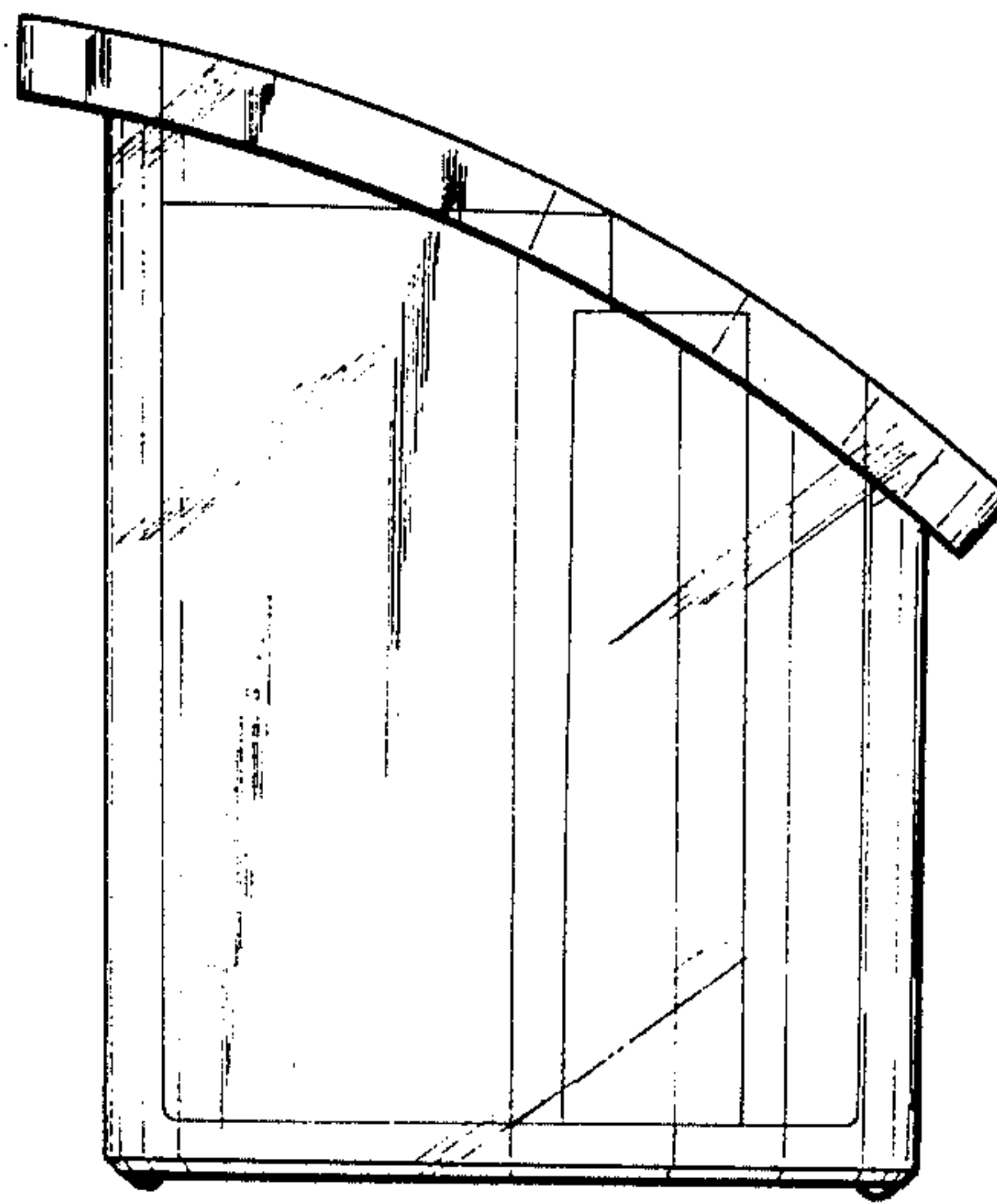


Fig.6

