

[54] **TONER TANK**

[75] **Inventor: Yoko Nakamura, Kawasaki, Japan**

[73] **Assignee: Ricoh Company, Ltd., Tokyo, Japan**

[\*\*] **Term: 14 Years**

[21] **Appl. No.: 260,663**

[22] **Filed: Oct. 21, 1988**

[30] **Foreign Application Priority Data**

Apr. 21, 1988 [JP] Japan ..... 63-16139

[52] **U.S. Cl. .... D18/43**

[58] **Field of Search ..... D18/22, 43; D9/306, D9/373, 385, 390, 393, 399, 415, 418, 424, 425, 432; 206/316, 446, 461, 474, 495, 532, 601, 628, 631; 222/DIG. 1, 166, 325; 355/200, 245, 260**

[56] **References Cited**

**U.S. PATENT DOCUMENTS**

3,999,654 12/1976 Pollack ..... 222/DIG. 1

4,614,286 9/1986 Yamaguchi et al. .... 222/DIG. 1

**FOREIGN PATENT DOCUMENTS**

0067571 3/1987 Japan ..... 355/260

*Primary Examiner*—Nelson C. Holtje  
*Assistant Examiner*—Caron D. Veynar  
*Attorney, Agent, or Firm*—Oblon, Spivak, McClelland, Maier & Neustadt

[57] **CLAIM**

The ornamental design for toner tank, as shown and described.

**DESCRIPTION**

FIG. 1 is a front and top-right perspective view of a toner tank showing my new design;  
FIG. 2 is a rear and bottom-left perspective view thereof;  
FIG. 3 is a front elevational view thereof;  
FIG. 4 is a rear elevational view thereof;  
FIG. 5 is a top plan view thereof;  
FIG. 6 is a bottom plan view thereof;  
FIG. 7 is a right side elevational view thereof; and  
FIG. 8 is a left side elevational view thereof.

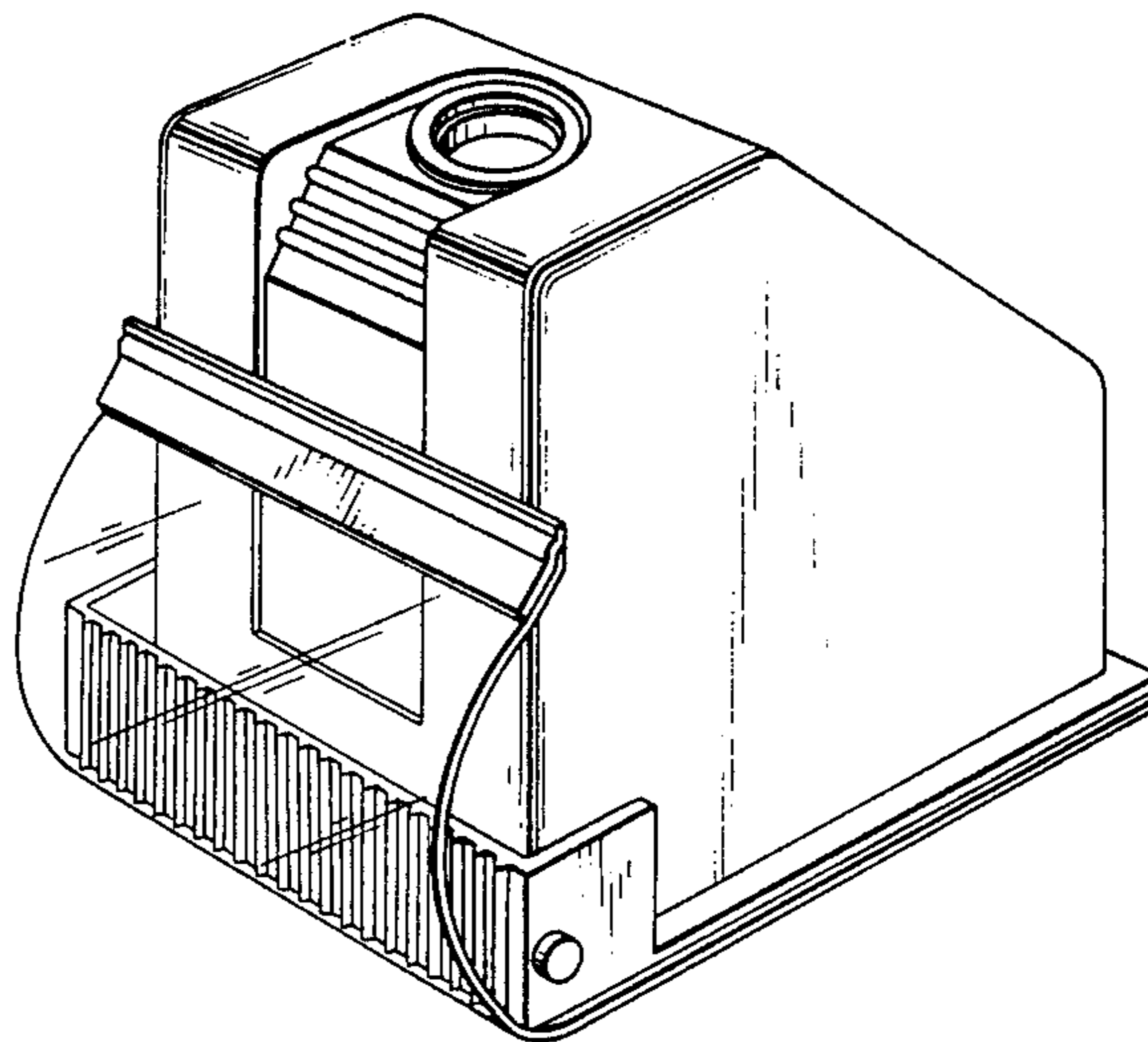


FIG. 1

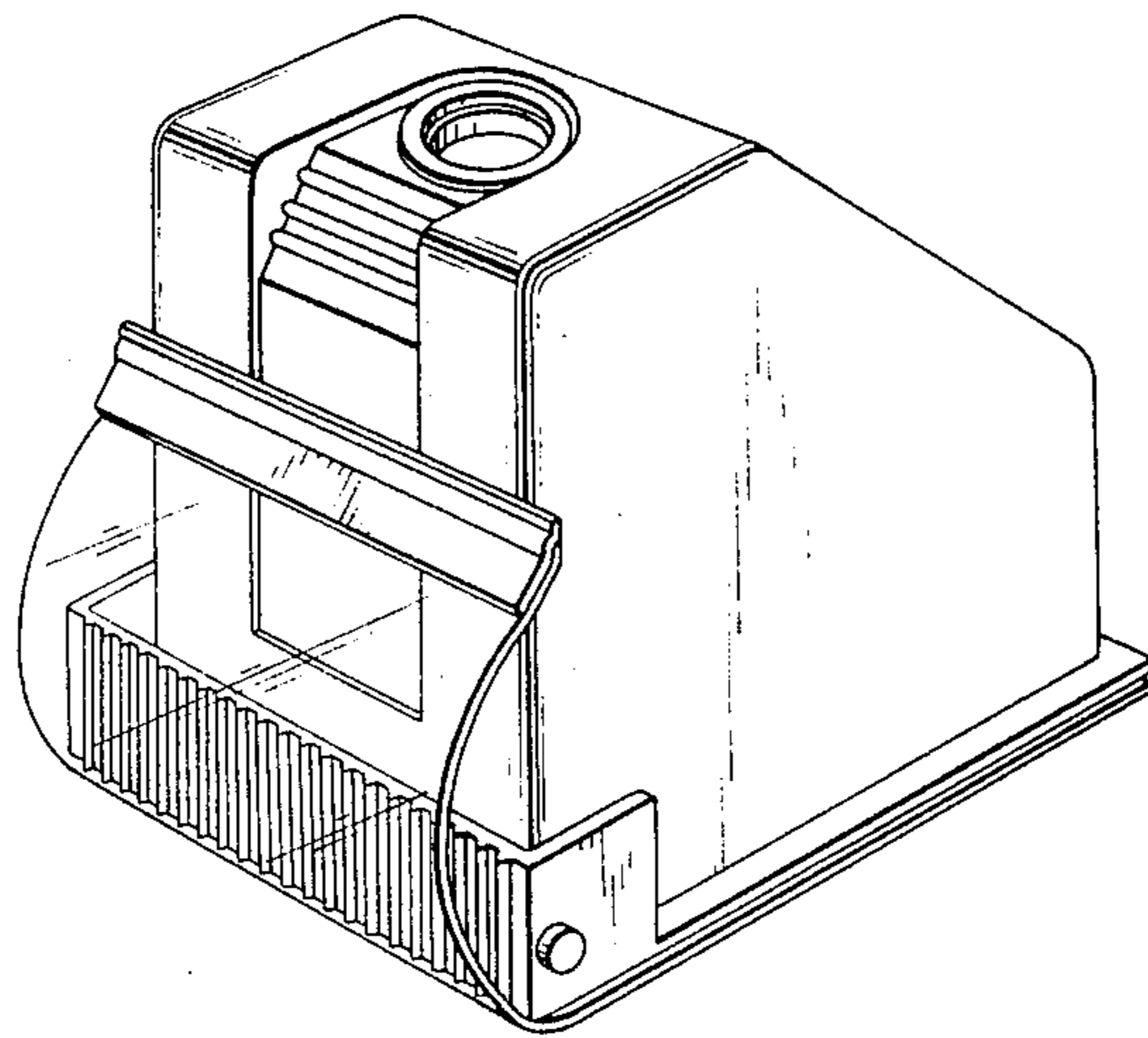


FIG. 2

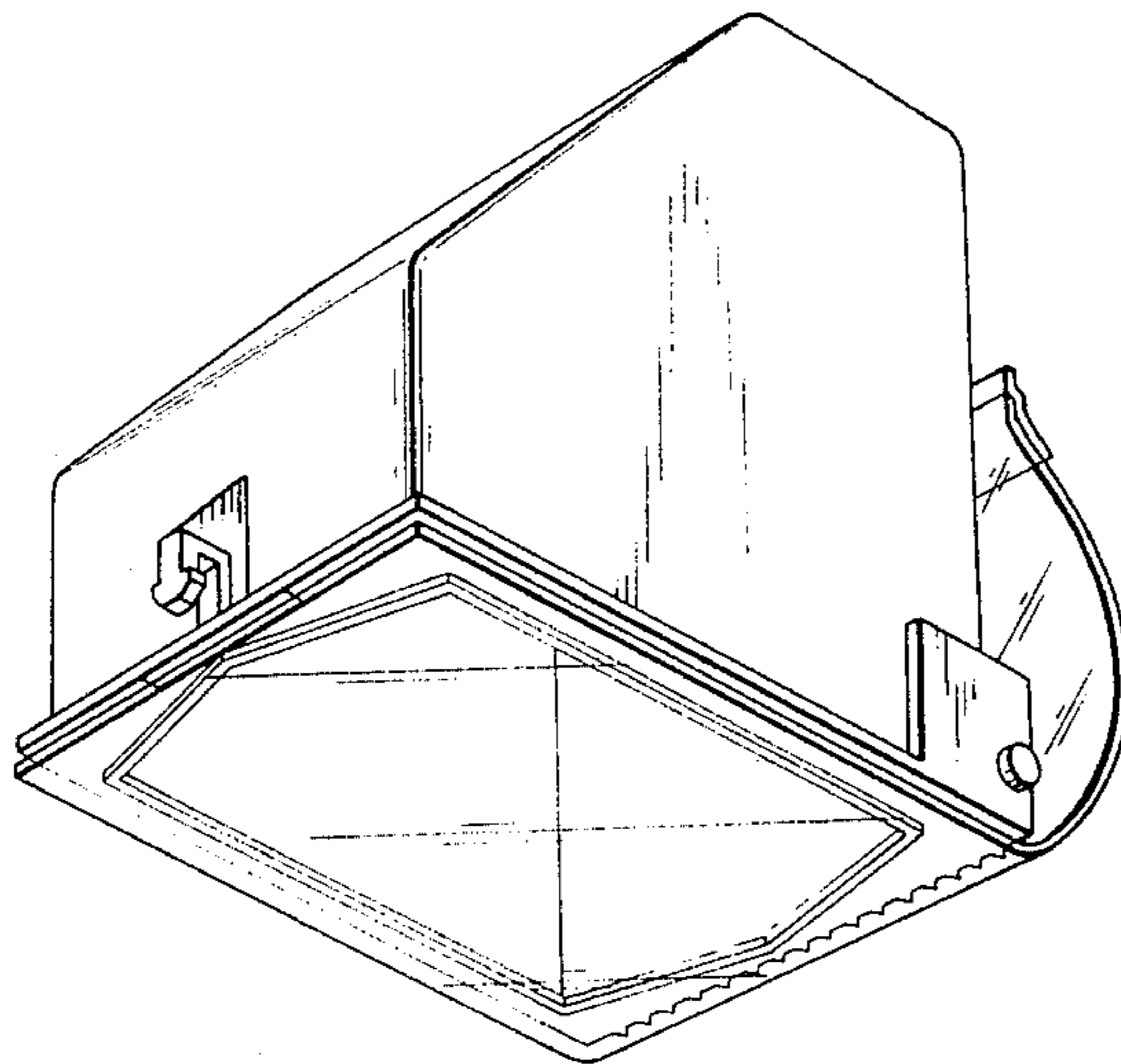


FIG. 3

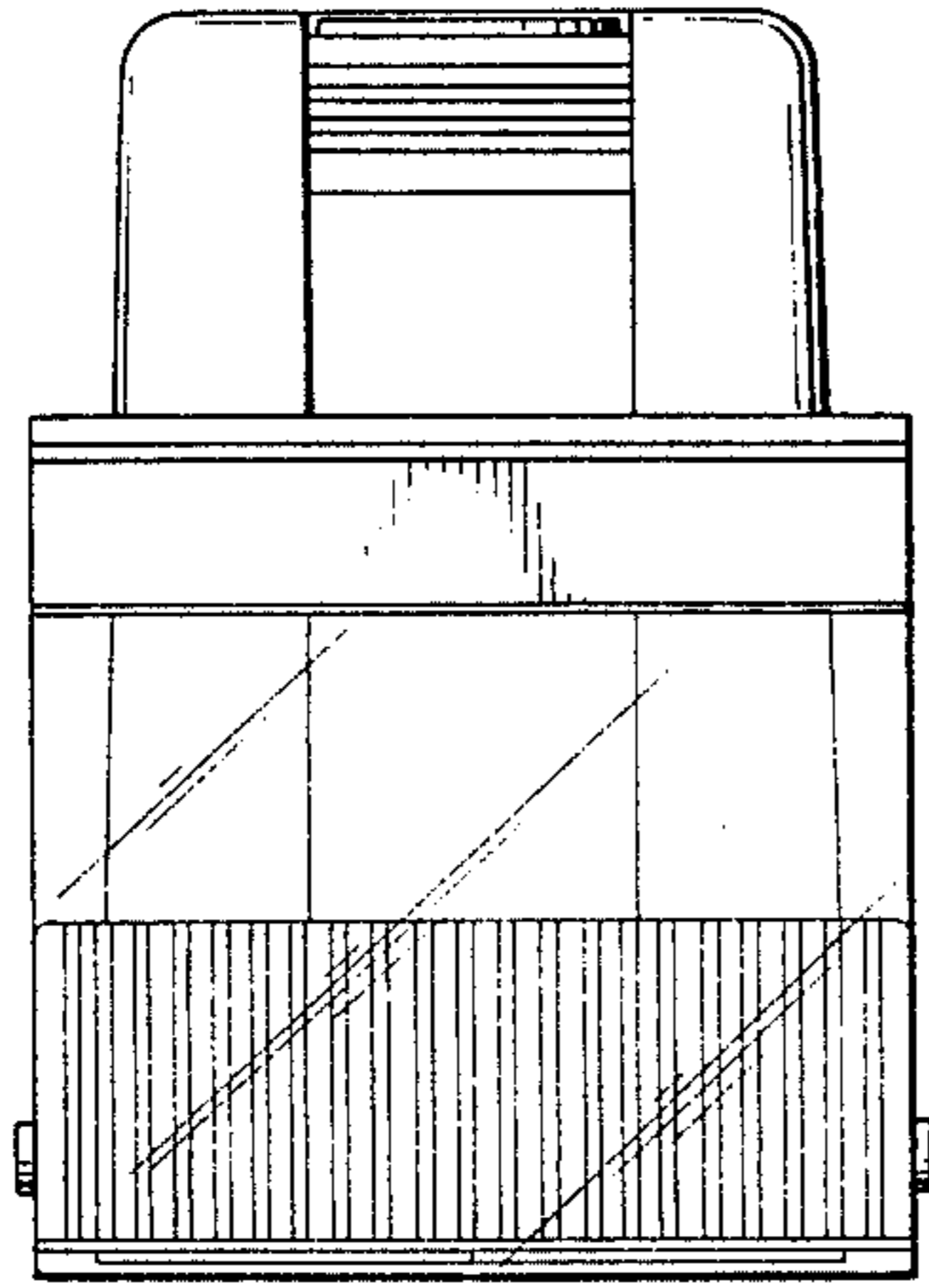


FIG. 4

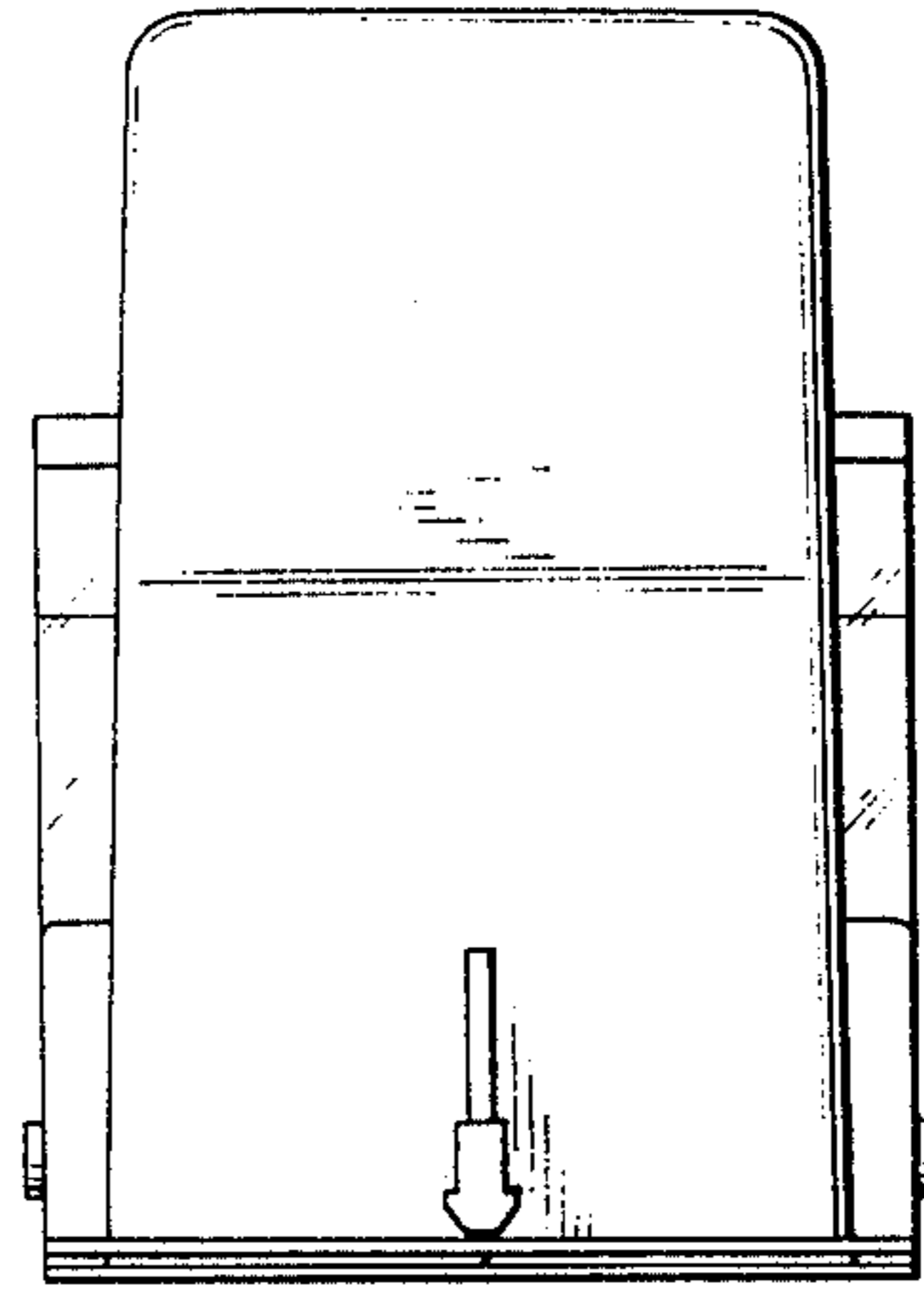


FIG. 5

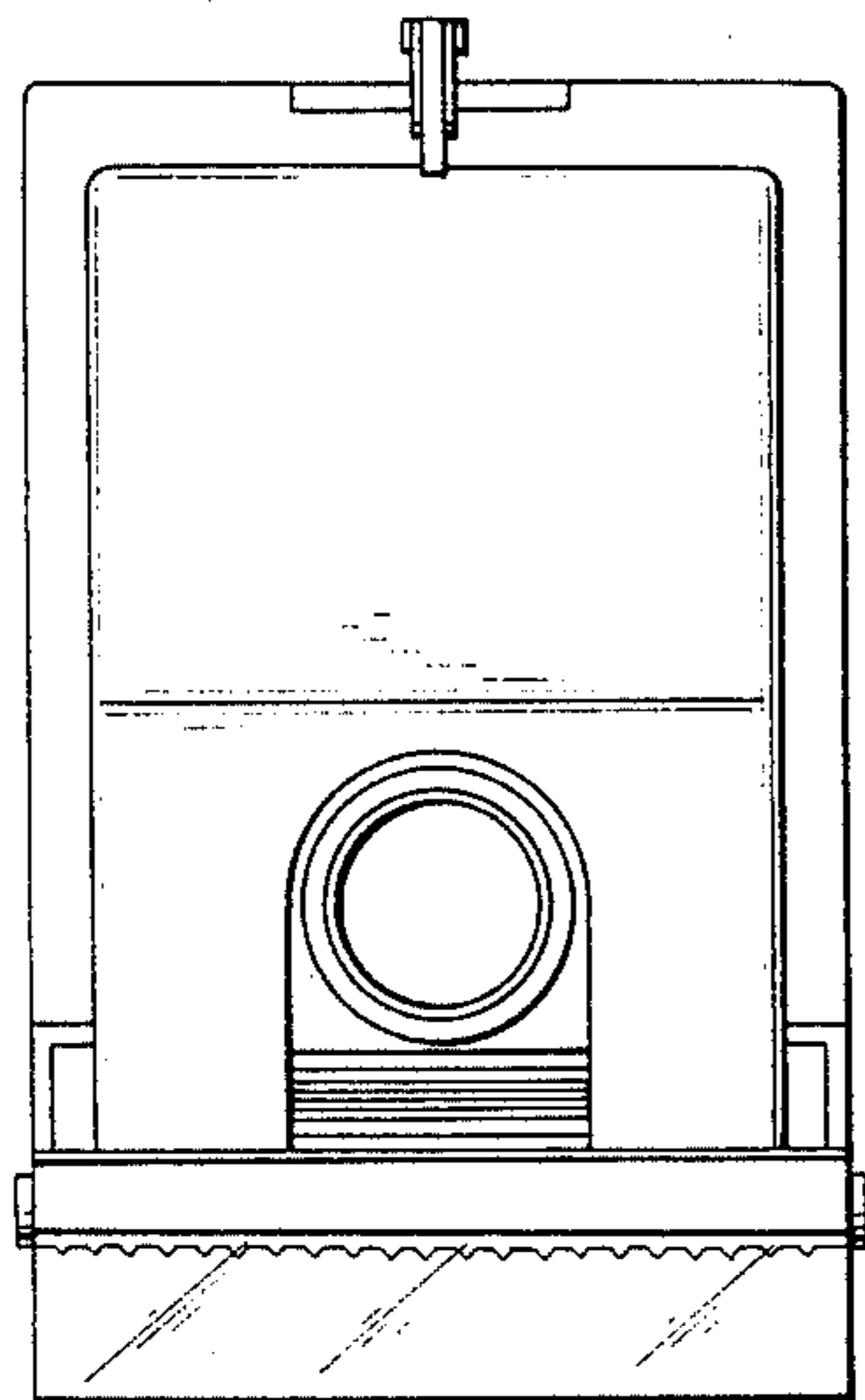


FIG. 6

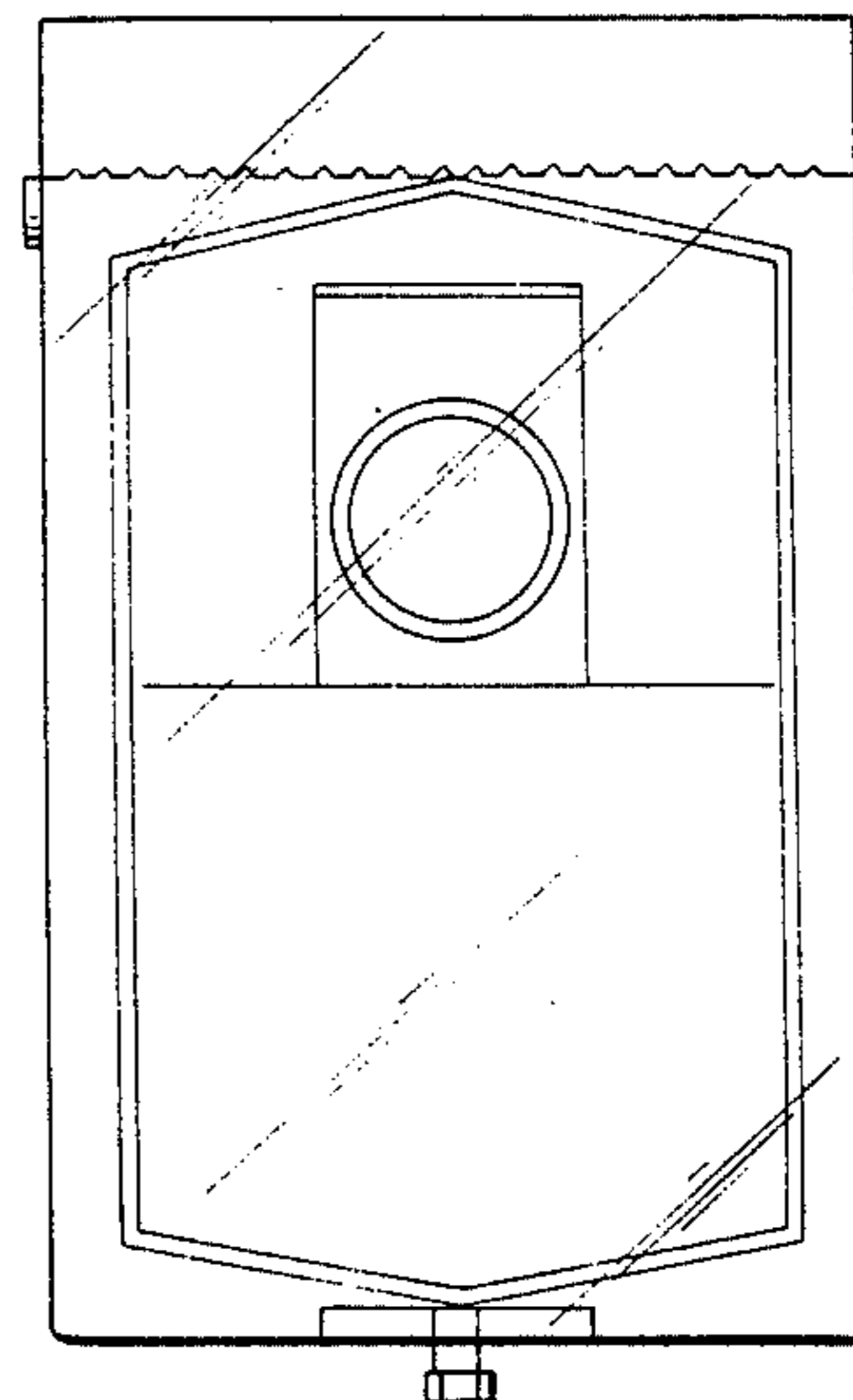


FIG. 7

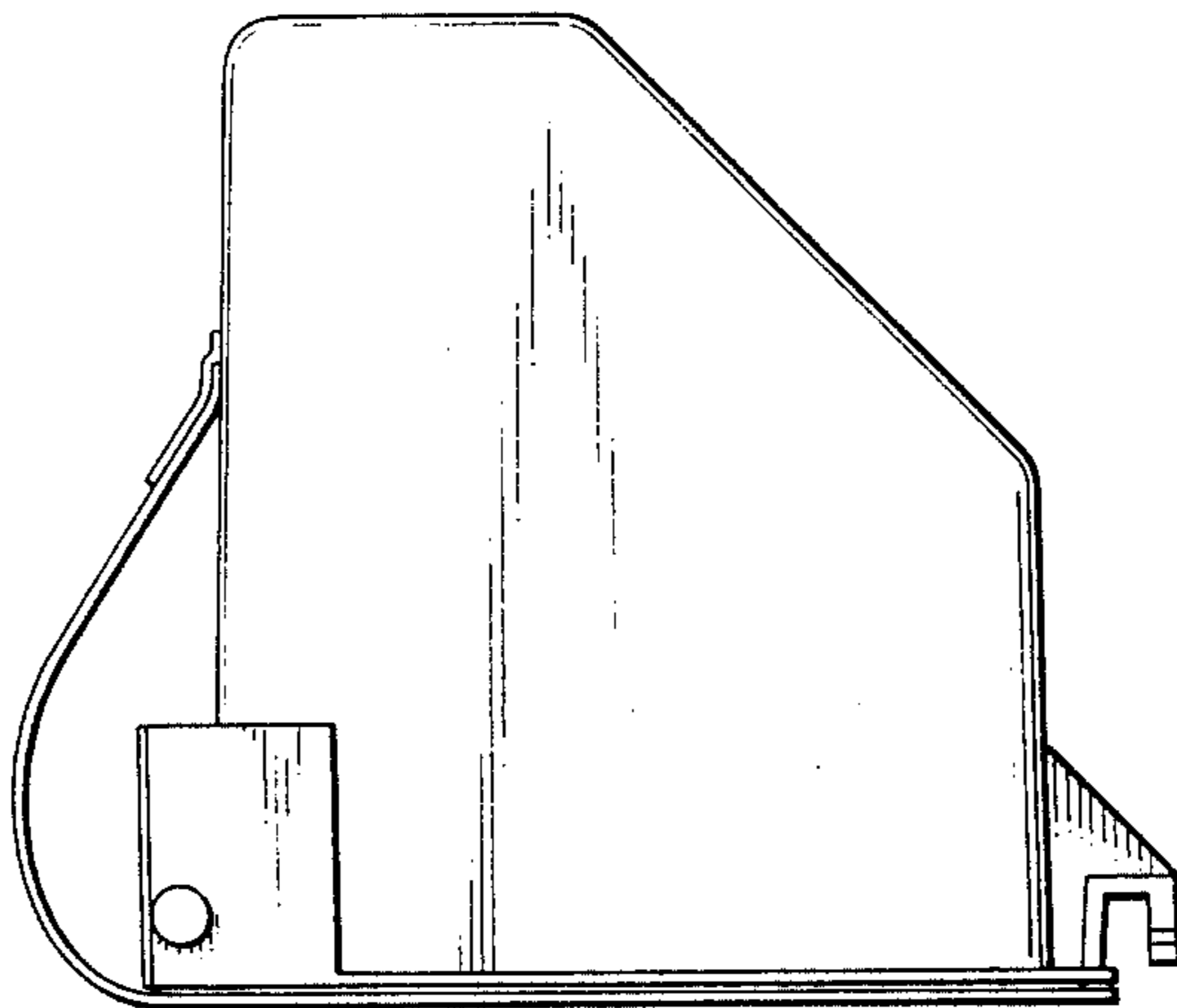


FIG. 8

