

United States Patent [19]

Salmonson

[11] Patent Number: **Des. 308,072**

[45] Date of Patent: **** May 22, 1990**

[54] **PRINTER**

[75] Inventor: **Duane L. Salmonson, Riverton, Wyo.**

[73] Assignee: **Micro Peripherals, Inc., San Diego, Calif.**

[**] Term: **14 Years**

[21] Appl. No.: **34,187**

[22] Filed: **Apr. 6, 1987**

[52] U.S. Cl. **D18/13**

[58] Field of Search **D14/111, 107; D18/13; 101/335, 20**

D. 264,971 6/1982 Chadima, Jr. D14/111
D. 264,978 6/1982 Ohno D18/13
D. 286,152 10/1986 Norton et al. D14/107
D. 289,050 3/1987 Wilson et al. D14/111
3,561,581 2/1971 Takenaka D14/111

Primary Examiner—James R. Largen
Assistant Examiner—Cathy Anne MacCormac
Attorney, Agent, or Firm—Watts, Hoffmann, Fisher & Heinke Co.

[57] CLAIM

The ornamental design for a printer, as shown and described.

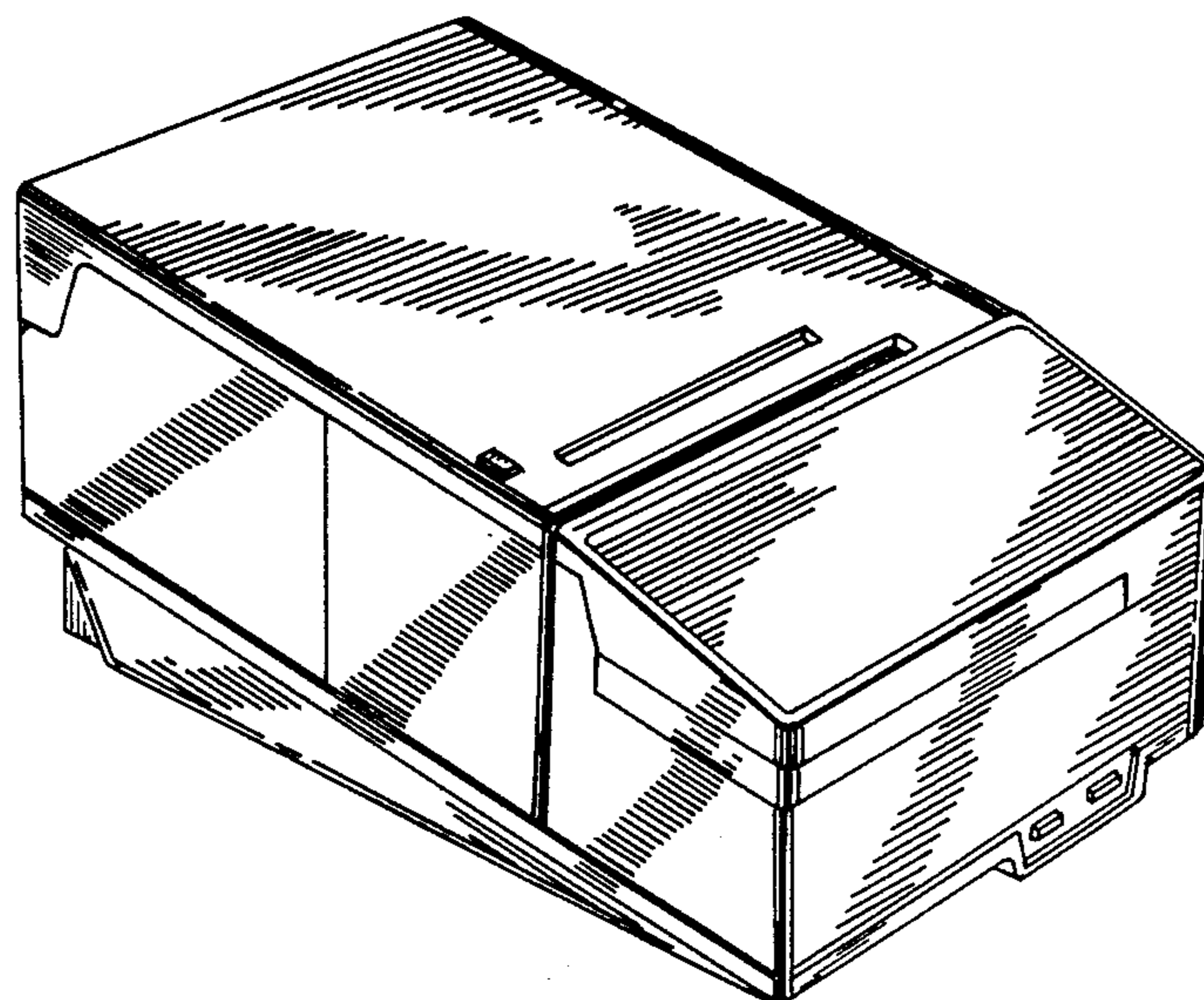
DESCRIPTION

FIG. 1 is a top, front and left side perspective view of a printer showing my new design;
FIG. 2 is a top plan view thereof;
FIG. 3 is a right side elevational view thereof;
FIG. 4 is a left side elevational view thereof;
FIG. 5 is a front elevational view thereof;
FIG. 6 is a rear elevational view thereof; and
FIG. 7 is a bottom plan view thereof.

[56] References Cited

U.S. PATENT DOCUMENTS

D. 210,217 2/1968 Williams D14/111
D. 215,676 10/1969 Majesty D14/111
D. 256,371 8/1980 Coppola et al. D18/13
D. 260,642 9/1981 Collistev et al. D14/111
D. 263,142 2/1982 Nishi et al. D14/111
D. 263,828 4/1982 Pemberton D14/111



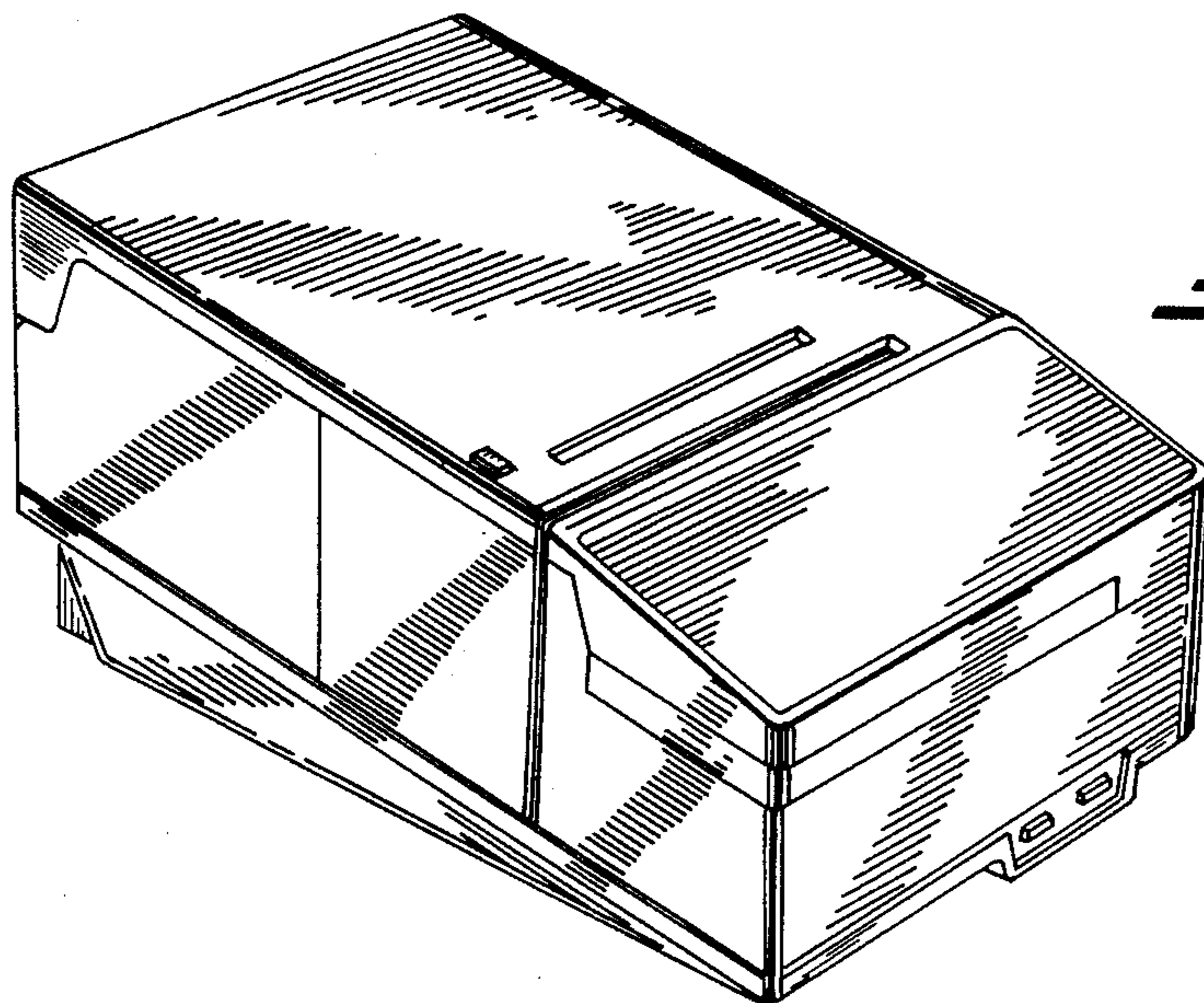


FIG. 1

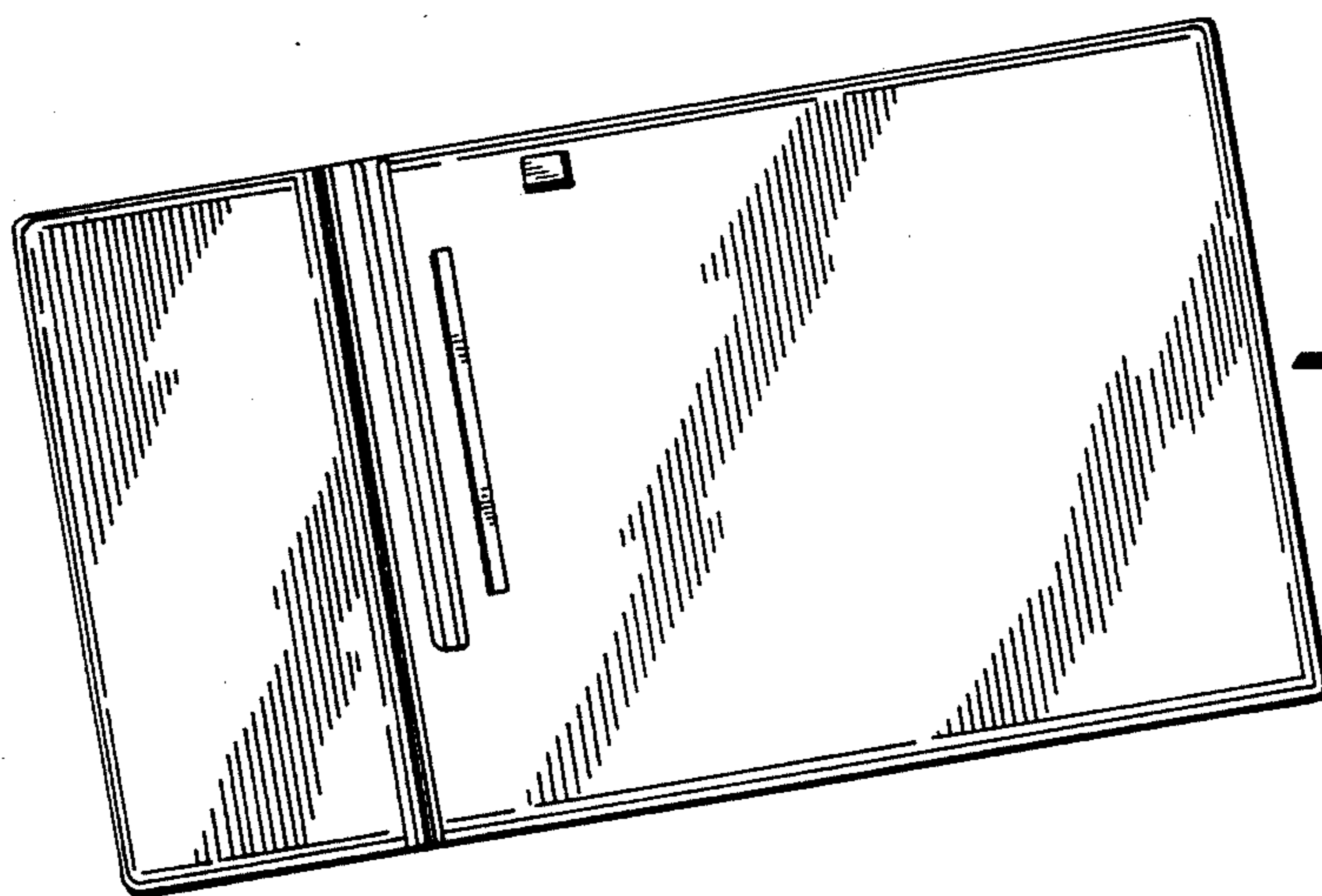


FIG. 2

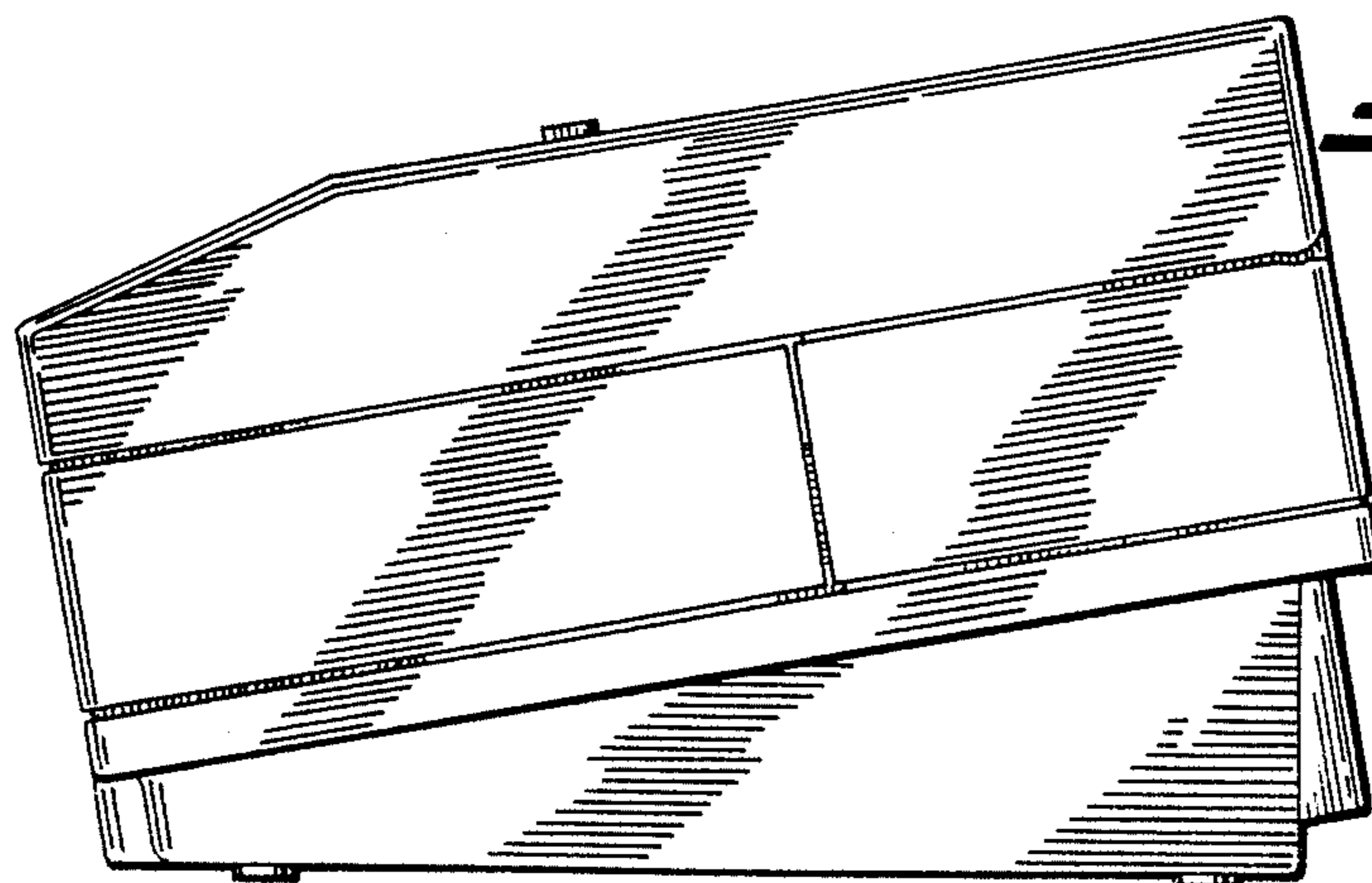


FIG. 3

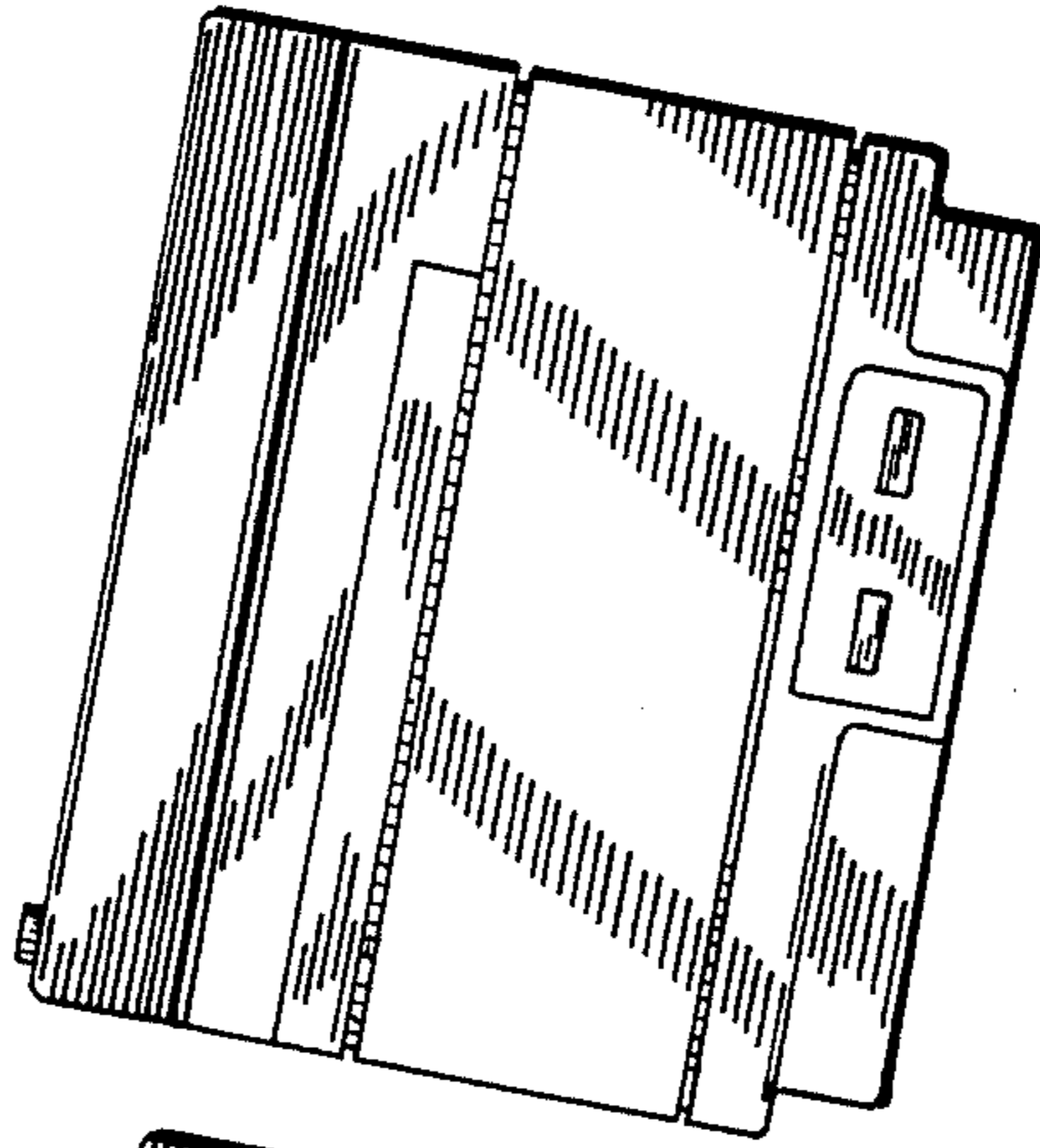


FIG. 5

FIG. 7

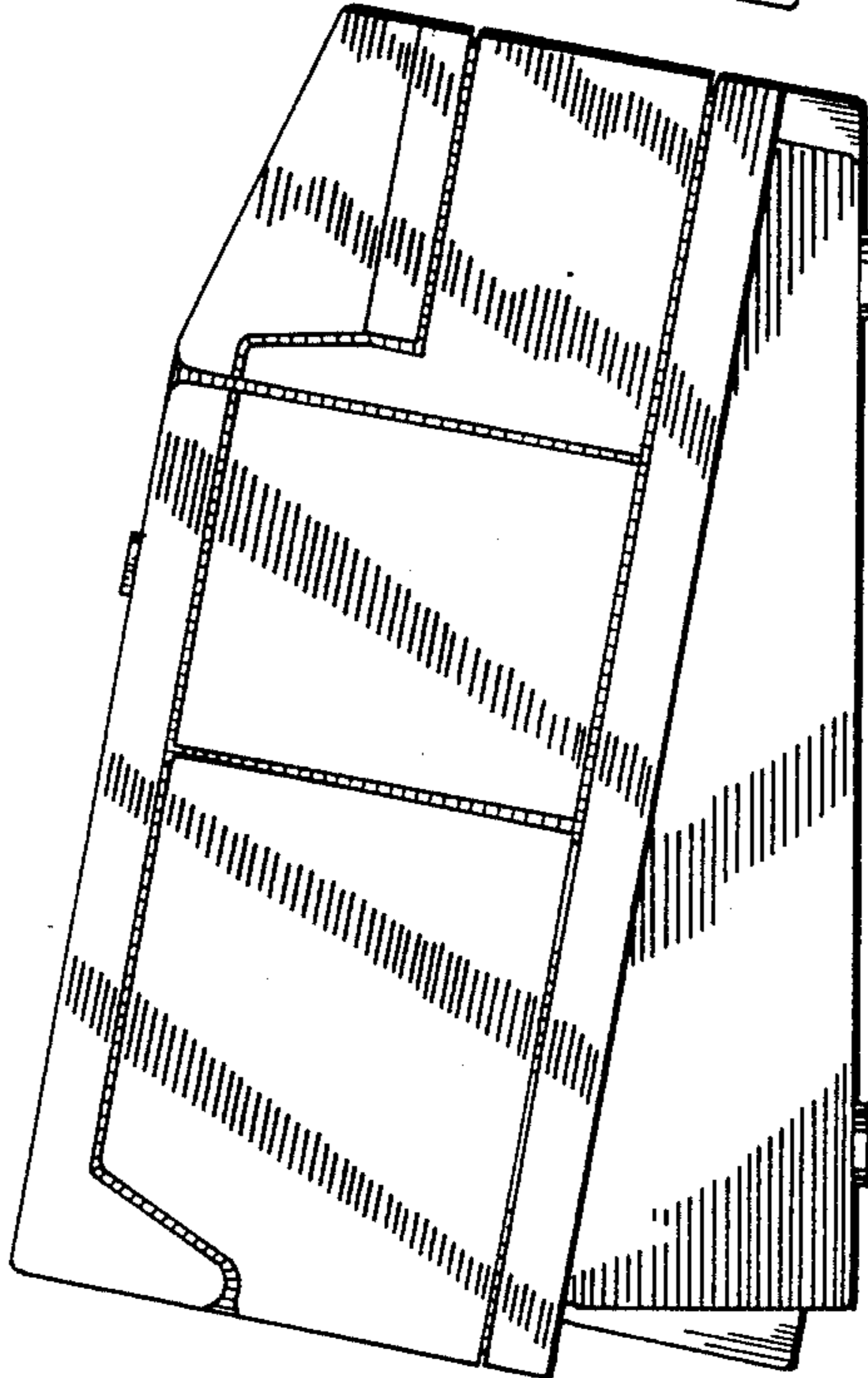


FIG. 4

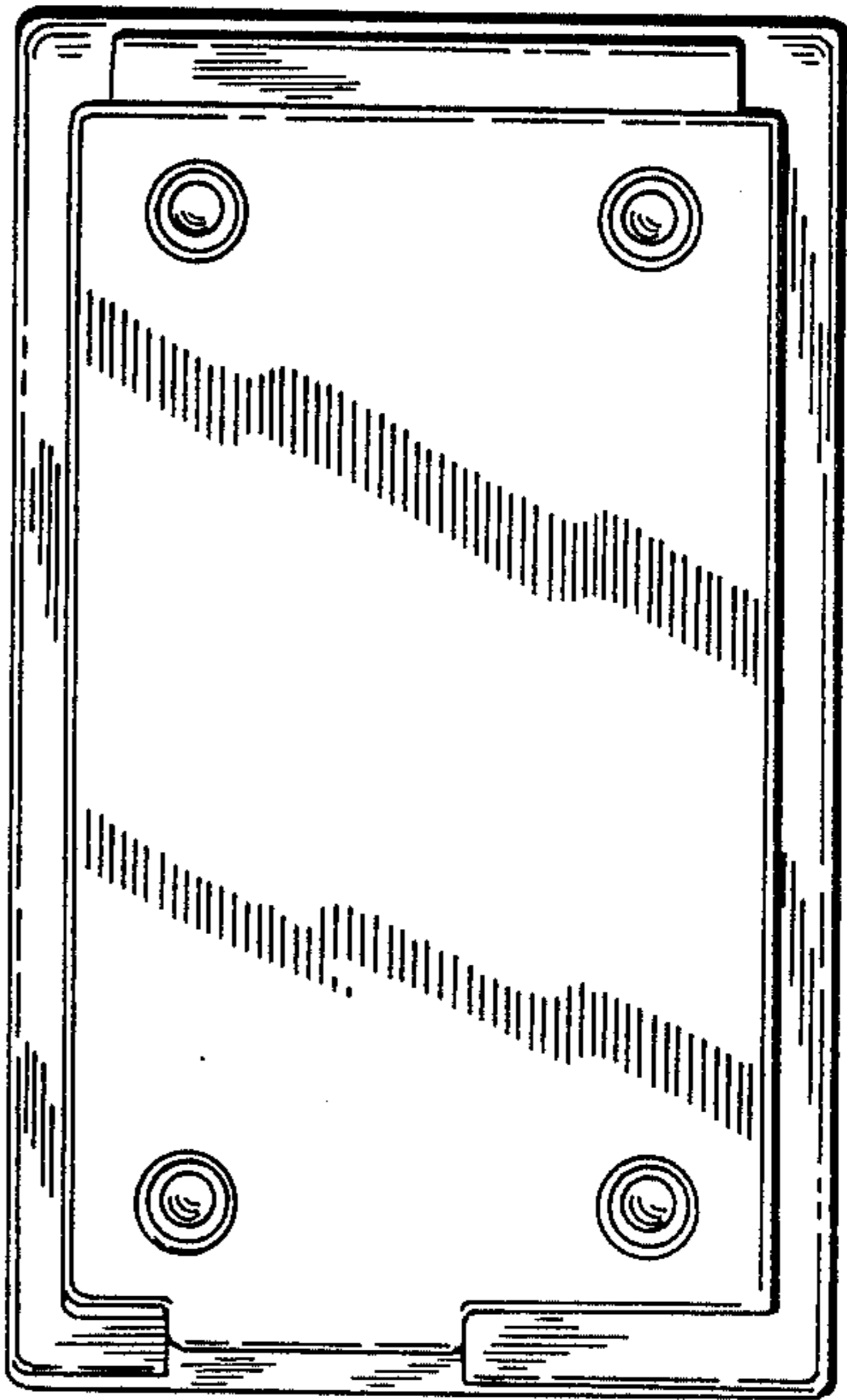


FIG. 6

