

[54] **RIBBON CASSETTE**

[75] Inventors: **Hans W. Mueller; Kenneth D. Vought**, both of Cortland, N.Y.

[73] Assignee: **Smith Corona Corporation**, N.Y.

[**] Term: **14 Years**

[21] Appl. No.: **127,002**

[22] Filed: **Nov. 30, 1987**

[52] U.S. Cl. **D18/12**

[58] Field of Search **D18/12, 22, 23, 99; 400/196, 196.1, 208**

[56] **References Cited**

U.S. PATENT DOCUMENTS

D. 234,633	3/1975	Bellini	D18/12
D. 253,239	10/1979	Leneg et al.	D18/12
D. 253,312	10/1979	Leney et al.	D18/12
D. 253,354	11/1979	Leney et al.	D18/12
D. 289,529	4/1987	Cappotto et al. .	
3,348,650	10/1967	Meinherz et al. .	
3,677,486	7/1972	Findlay .	
3,731,781	5/1973	Caudill et al. .	
3,923,141	12/1975	Hengelhaupt .	
4,131,372	12/1978	Hengelhaupt .	
4,239,107	12/1980	Boyatt, Jr. et al. .	
4,247,210	1/1981	Kacmarcik et al. .	
4,302,118	11/1981	Schaeffer	400/208
4,329,072	5/1982	Kacmarcik .	
4,347,007	8/1982	Schaefer .	
4,350,453	9/1982	Field et al. .	
4,353,657	10/1982	Schaefer .	
4,395,149	7/1983	Longrod .	
4,397,575	8/1983	Aldrich .	
4,402,621	9/1983	Abell, Jr. et al.	400/208
4,407,593	10/1983	Haftmann .	
4,475,829	10/1984	Goff, Jr. et al. .	
4,516,137	5/1985	Yasui .	
4,606,662	8/1986	Komplin .	
4,611,936	9/1986	Yasui .	
4,611,938	9/1986	Rettke et al. .	
4,616,945	10/1986	Kemplin	400/208
4,636,097	1/1987	Goubeaux .	
4,676,678	6/1987	Watanabe	400/208
4,694,305	9/1987	Shiomi et al. .	
4,747,714	5/1988	Moritz et al. .	

FOREIGN PATENT DOCUMENTS

2705127	10/1977	Fed. Rep. of Germany .
2642069	3/1978	Fed. Rep. of Germany .
3346482	7/1984	Fed. Rep. of Germany .
56-144985	11/1981	Japan .
57-178884	11/1982	Japan .
58-191184	11/1983	Japan .
59-70597	4/1984	Japan .
59-78879	5/1984	Japan .
59-93376	5/1984	Japan .
61-31284	2/1986	Japan .
61-54975	3/1986	Japan .
61-66682	4/1986	Japan .
61-146576	7/1986	Japan .
62-25079	2/1987	Japan .
2179917	3/1987	United Kingdom .

OTHER PUBLICATIONS

IBM Technical Disclosure Bulletin, "Two Color Cartridge Ribbon System with Correction", Schaefer, vol. 22, No. 6, Nov. 1979, pp. 2327-2329.

IBM Technical Disclosure Bulletin, "Protective Carton", Dunning et al., vol. 25, No. 4, Sep. 1982, pp. 1944-1945.

IBM Technical Disclosure Bulletin, "Low Cost Cartridge Code Detector", Craft, vol. 25, No. 4, Sep. 1982, pp. 1980-1981.

IBM Technical Disclosure Bulletin, "Page Width Ribbon Cartridge and Drive Mechanism", Thorne, vol. 25, No. 4, Sep. 1982, pp. 2020-2022.

IBM Technical Disclosure Bulletin, "Web-Tension Sensing Devices", Buchholz et al., vol. 25, No. 4, Sep. 1982, pp. 2066-2067.

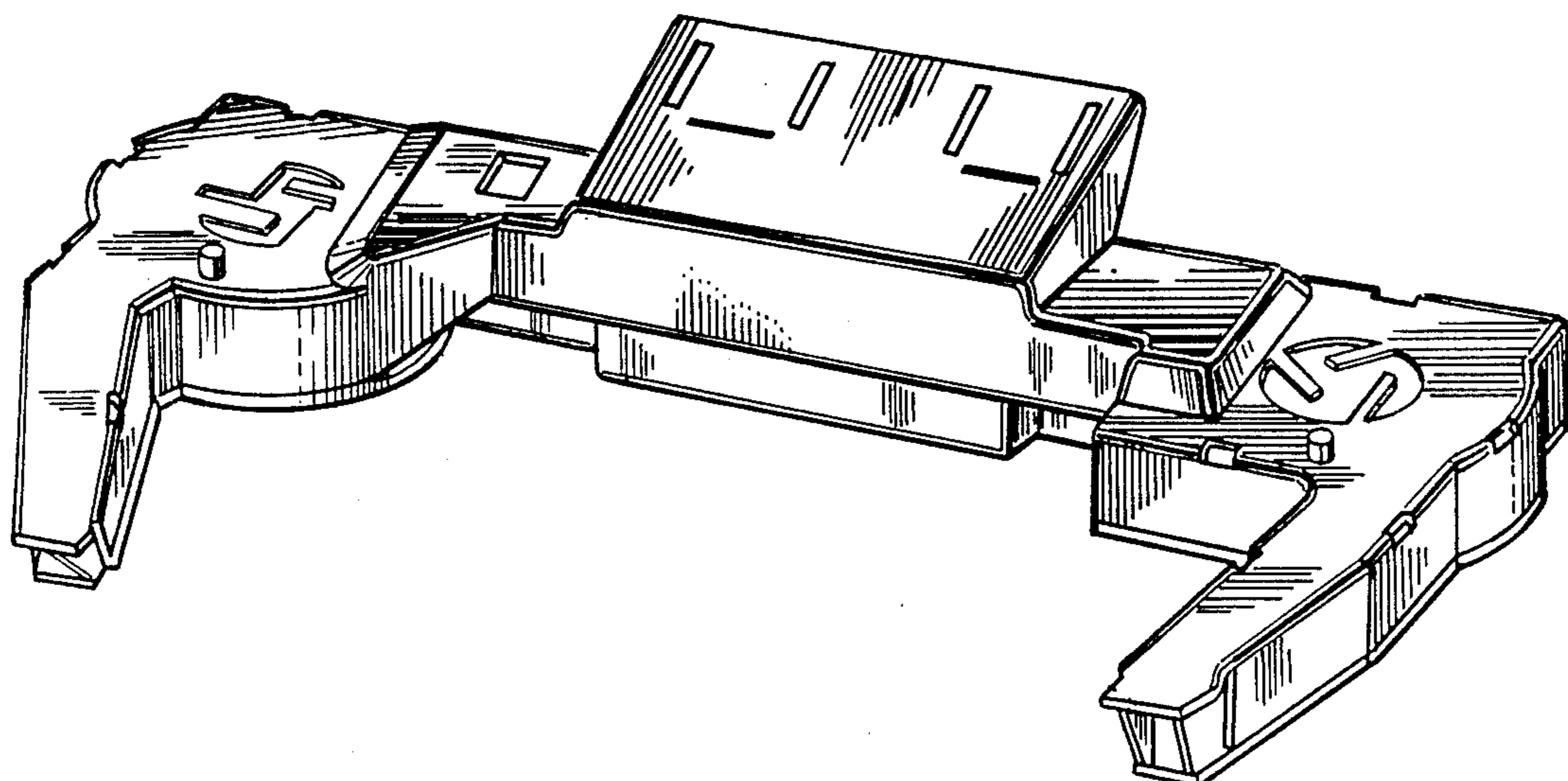
IBM Technical Disclosure Bulletin, "Constant Head Wrap Tape Drive", Wenner, vol. 25, No. 4, Sep. 1982, p. 2068.

IBM Technical Disclosure Bulletin, "Web-Guiding Stress Functions", Winarski, vol. 25, No. 4, Sep. 1982, p. 2069.

IBM Technical Disclosure Bulletin, "Stuffer Ribbon Cartridge", Purcell, vol. 25, No. 4, Sep. 1982, pp. 2153-2154.

IBM Technical Disclosure Bulletin, "End-Of-Ribbon Sensor and Cartridge-Present Indicator", Jenkins, vol. 27, No. 6, Nov. 1984, pp. 3645-3647.

IBM Technical Disclosure Bulletin, "Printer Ribbon



Cartridge Insertion Position Locators", vol. 29, No. 4, Sep. 1986, pp. 1571-1572.
1989 Catalog, Lynn Edwards Corp., North Highlands, California, p. 379.

Primary Examiner—James R. Largen

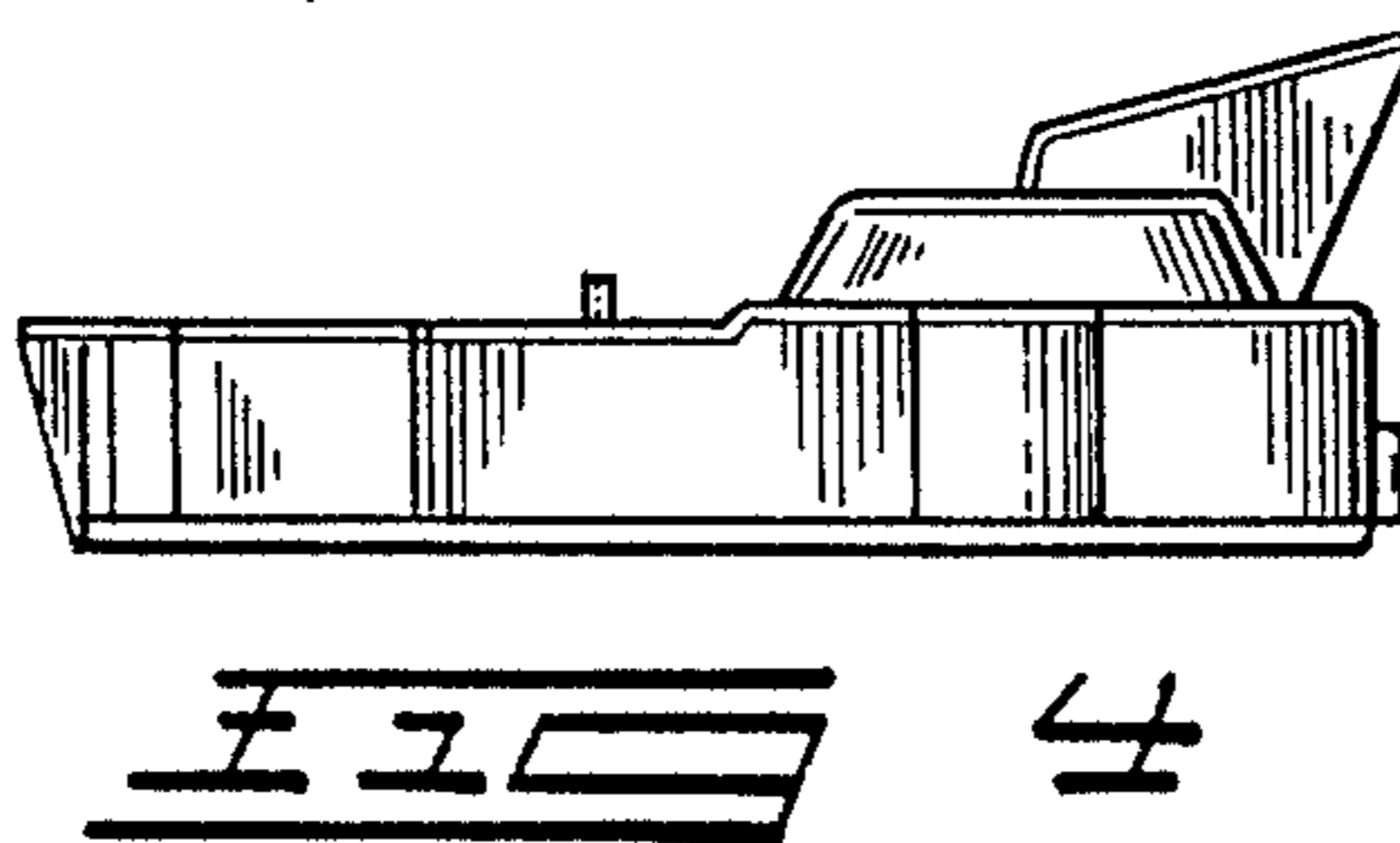
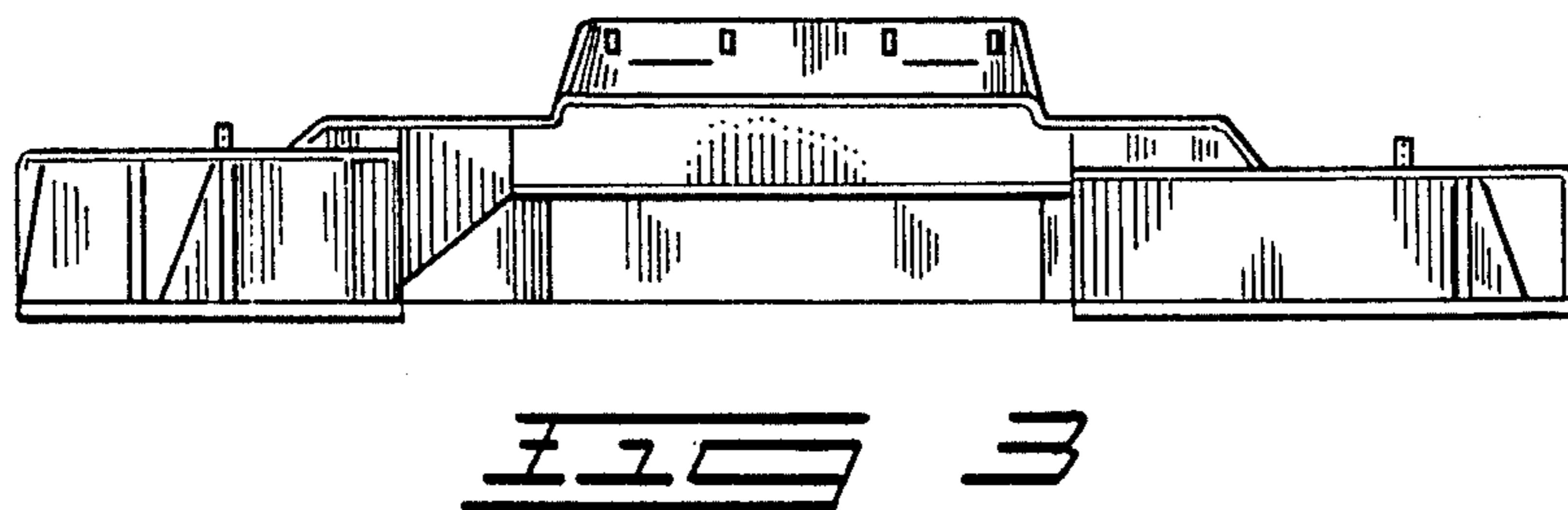
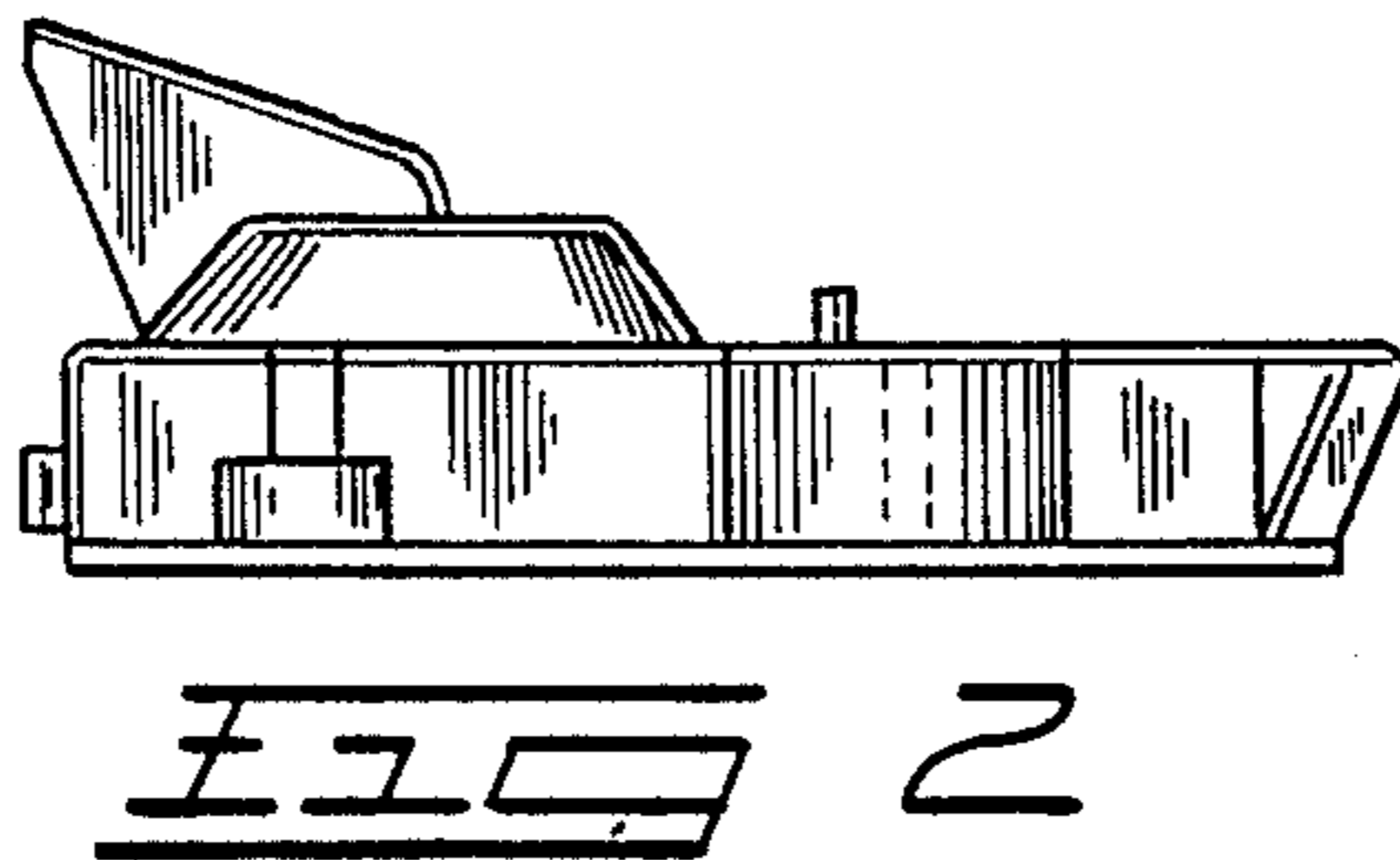
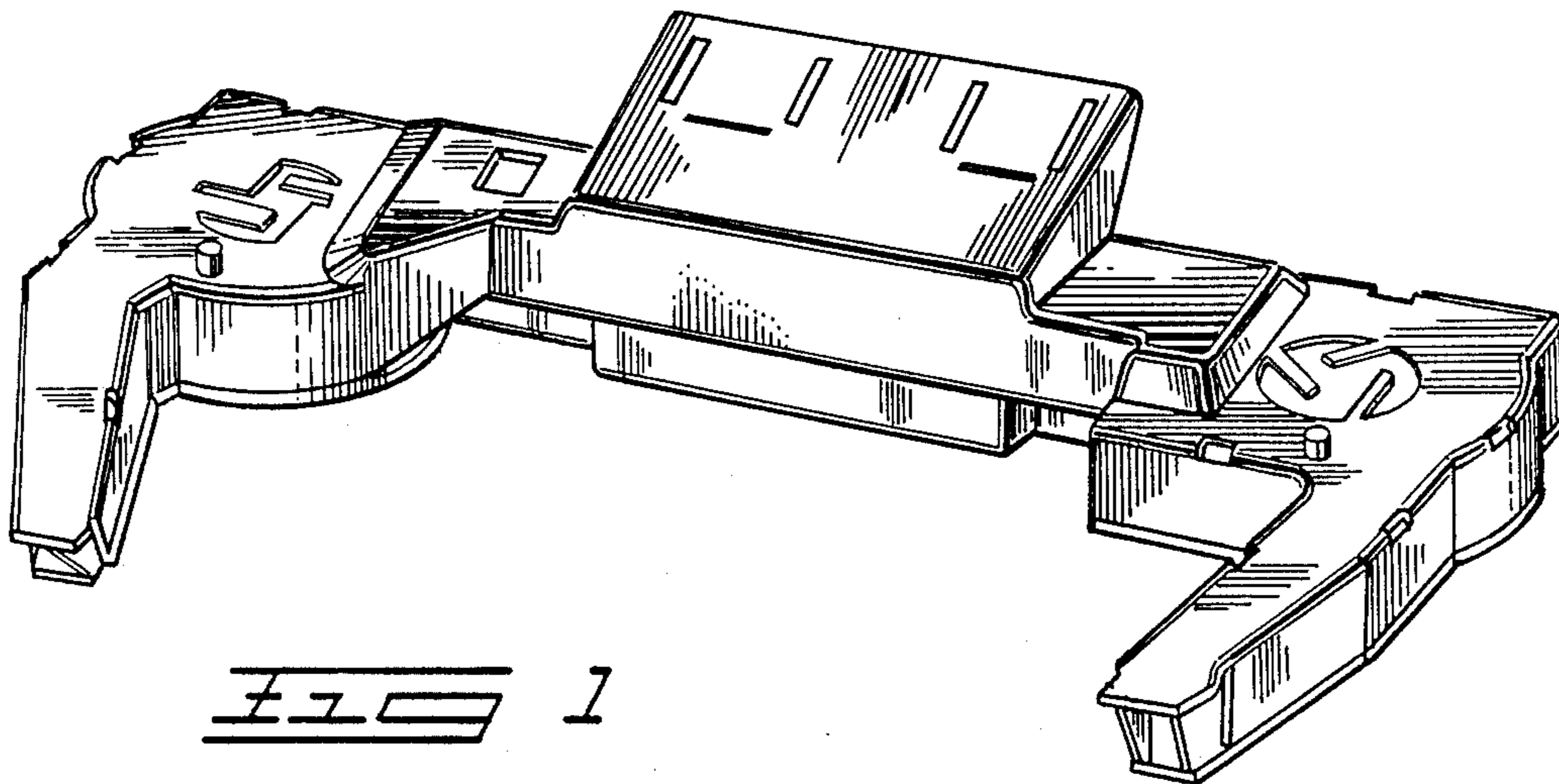
[57]

CLAIM

The ornamental design for a ribbon cassette, as shown.

DESCRIPTION

FIG. 1 is a perspective view taken from the top, rear, and left side of a ribbon cassette showing my new design;
FIG. 2 is a right side elevational view thereof;
FIG. 3 is a rear elevational view thereof;
FIG. 4 is a left side elevational view thereof;
FIG. 5 is a top plan view thereof;
FIG. 6 is a front elevational view thereof; and
FIG. 7 is a bottom plan view thereof.



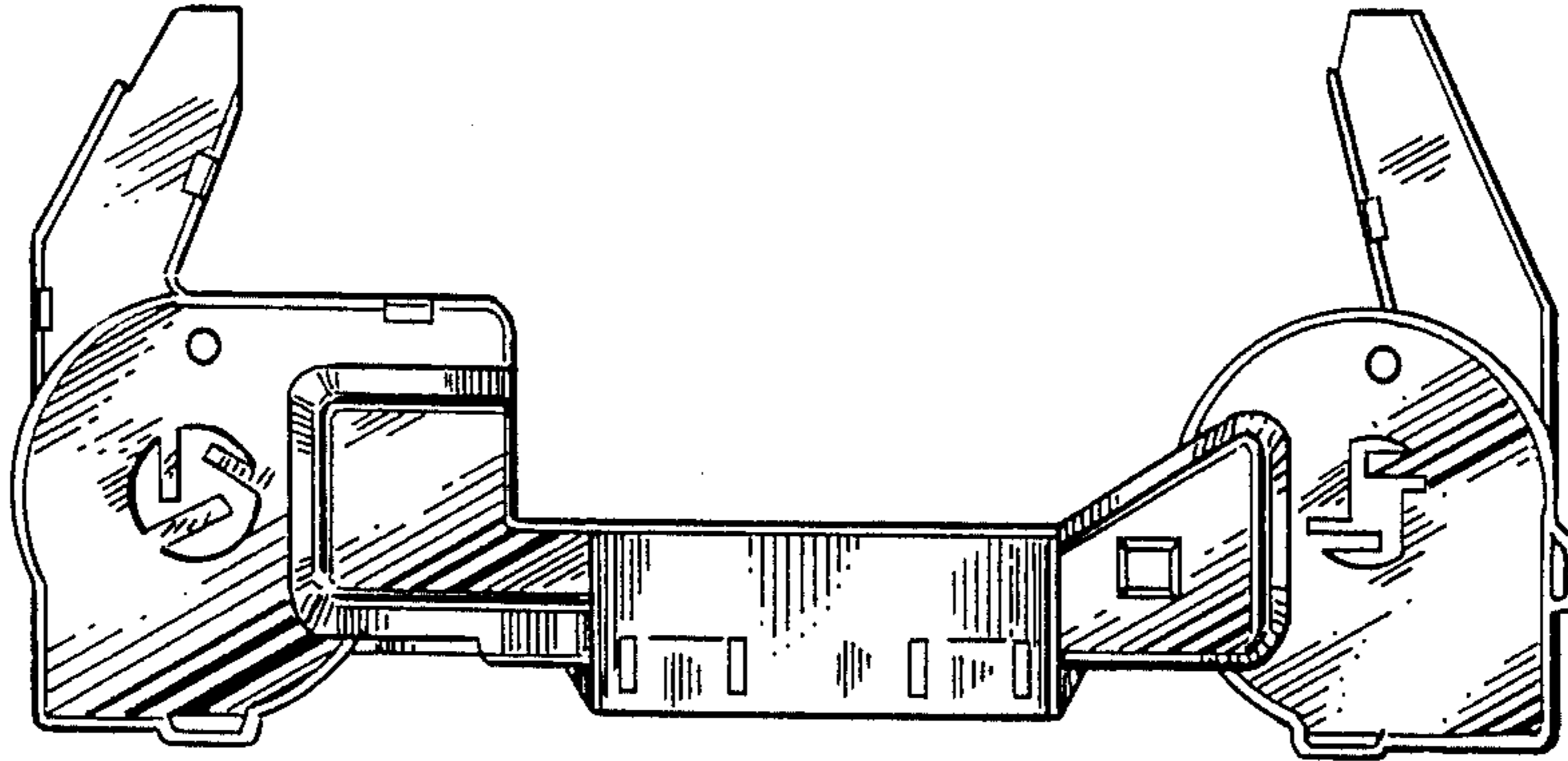


FIG 5

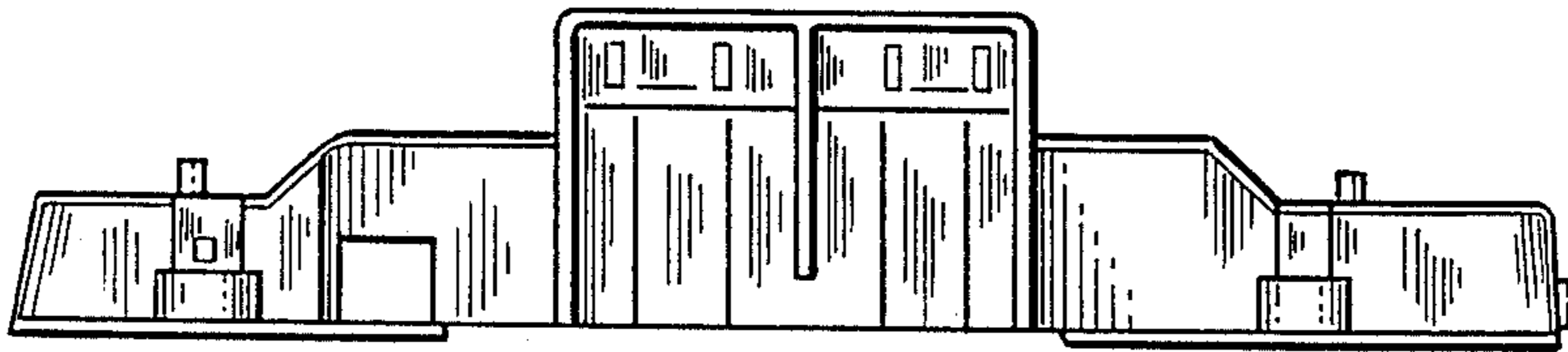


FIG 6

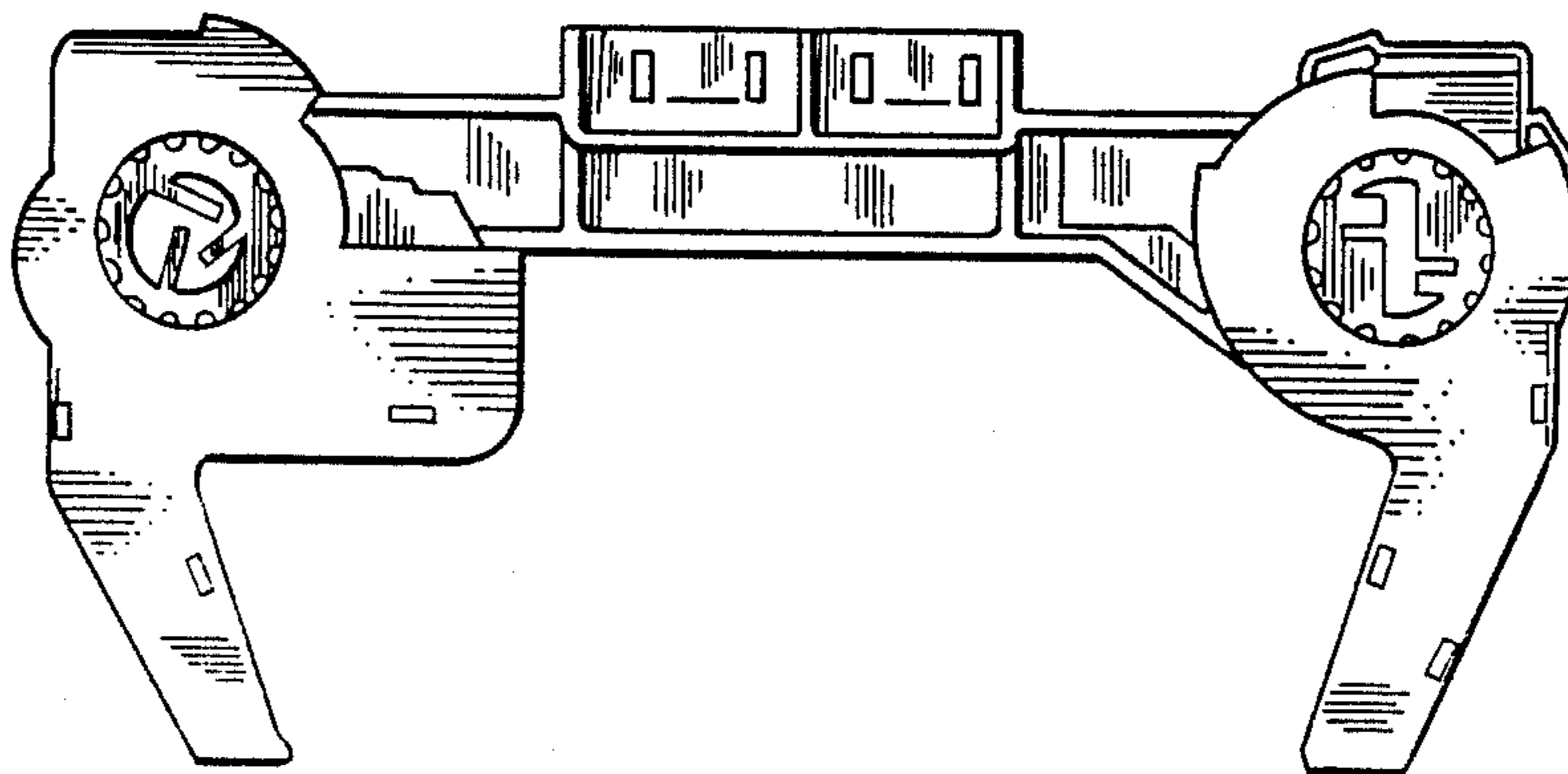


FIG 7