

[54] **PIANO**
 [75] **Inventor: Steffen Seiler, Kitzingen-Hohenfeld, Fed. Rep. of Germany**
 [73] **Assignee: Ed. Seiler Pianofortefabrik GmbH & Co KG, Kitzingen, Fed. Rep. of Germany**
 [**] **Term: 14 Years**
 [21] **Appl. No.: 70,485**
 [22] **Filed: Jul. 7, 1987**

[30] **Foreign Application Priority Data**
 Jan. 7, 1987 [DE] Fed. Rep. of Germany ... MR II/759
 [52] **U.S. Cl. D17/8; D17/7**
 [58] **Field of Search D17/1, 5, 6, 7, 8, 9; 84/172, 176, 177, 178, 179, 180, DIG. 17, DIG. 25**

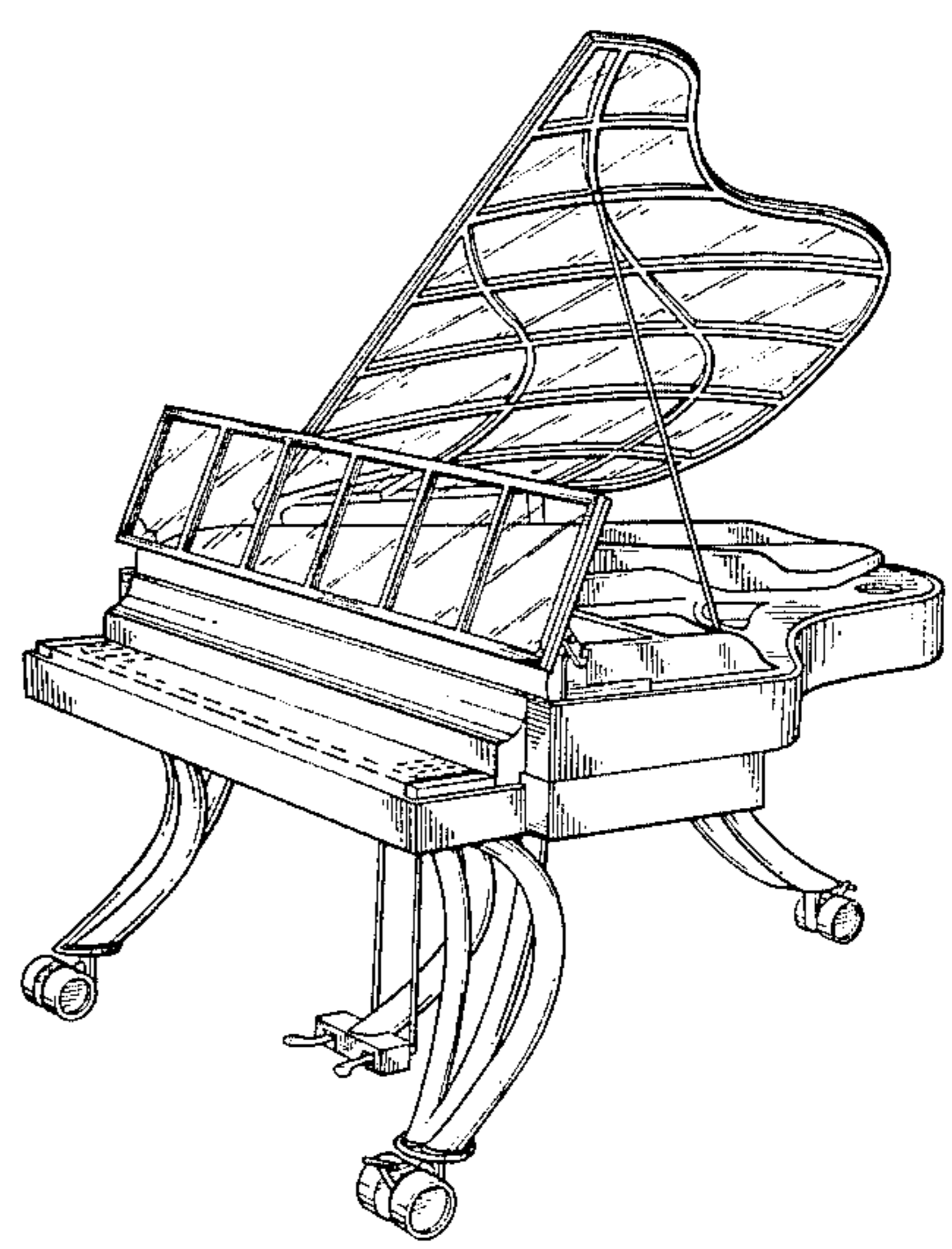
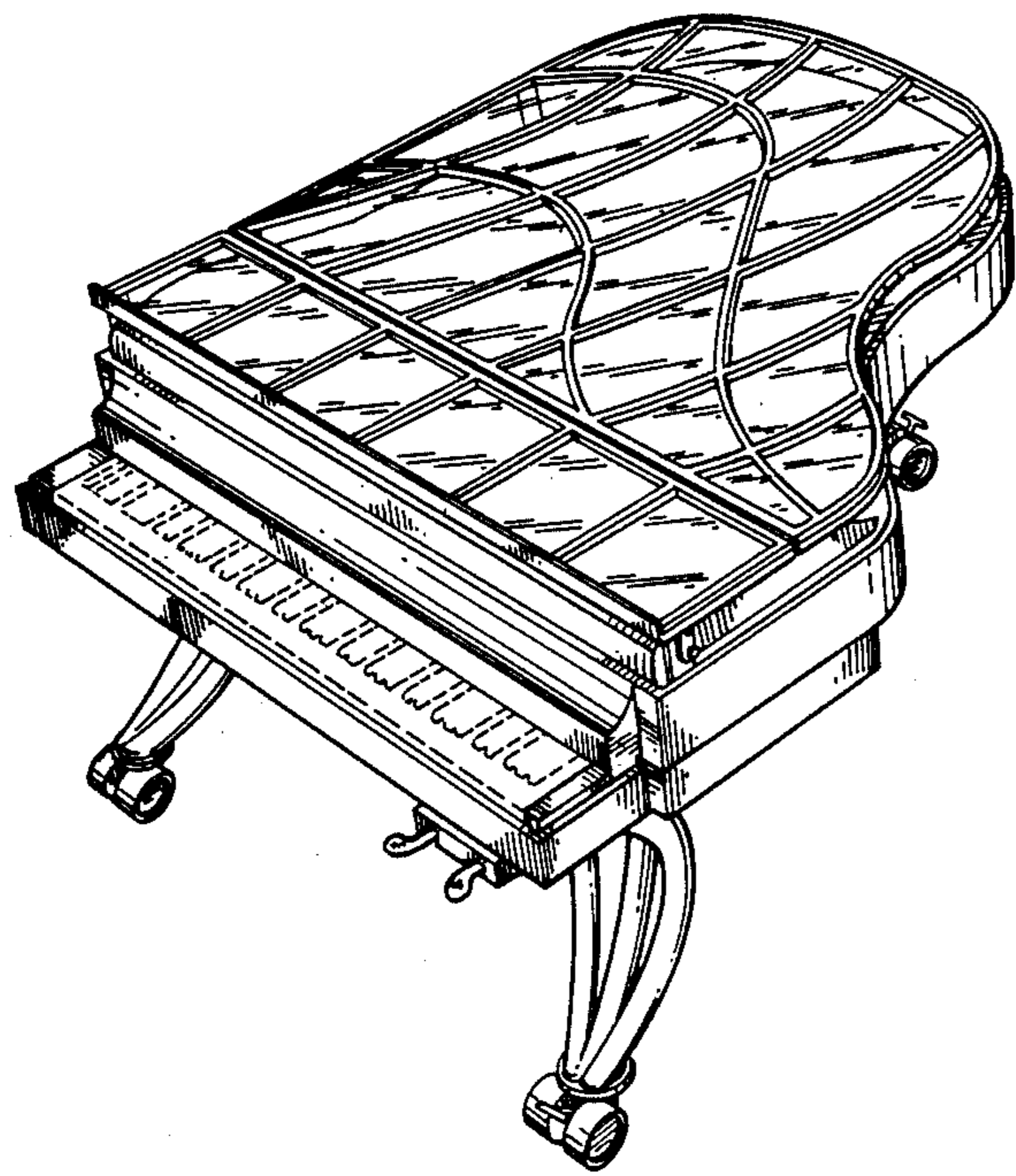
[56] **References Cited**
U.S. PATENT DOCUMENTS
 D. 4,468 11/1870 Bull D17/8

D. 14,118 7/1883 Kaucher D17/8
 D. 113,631 3/1939 Gugler D17/8
 D. 144,039 3/1946 Dembicki D17/7
 276,258 4/1883 McCarthy et al. 84/177

Primary Examiner—Bernard Ansher
Assistant Examiner—Adir Aronovich
Attorney, Agent, or Firm—Jordan and Hamburg

[57] **CLAIM**
 The ornamental design for a piano, as shown and described.

DESCRIPTION
 FIG. 1 is a right side perspective view of a piano showing my new design;
 FIG. 2 is a top front perspective view thereof;
 FIG. 3 is a top front perspective view taken at an alternate position as seen in FIG. 2;
 FIG. 4 is a front perspective view thereof with the music rack and piano cover in open position; and
 FIG. 5 is a left side perspective view thereof.
 The broken line showing of the piano keyboard is for illustrative purposes only and forms no part of the claimed design.



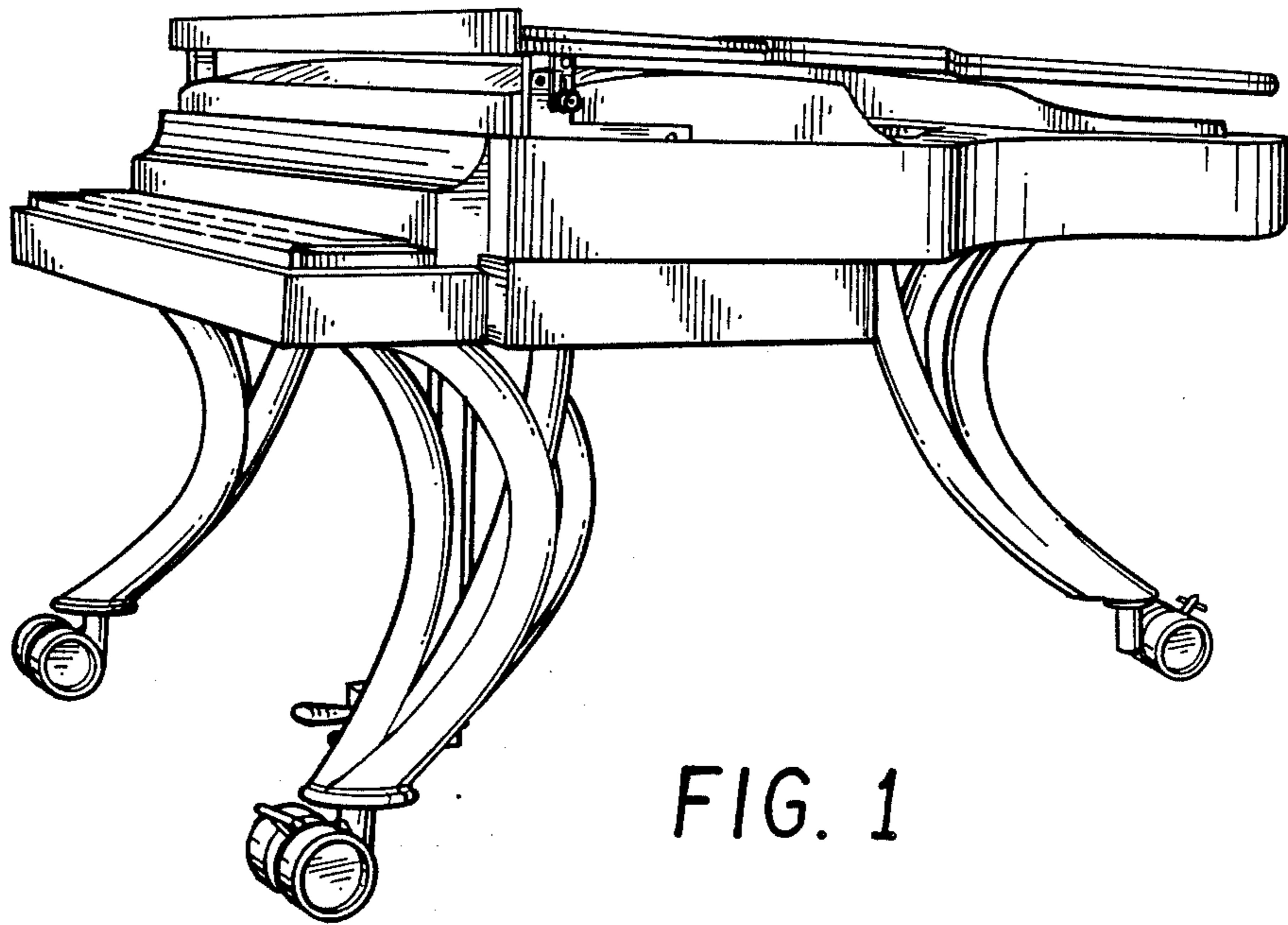


FIG. 1

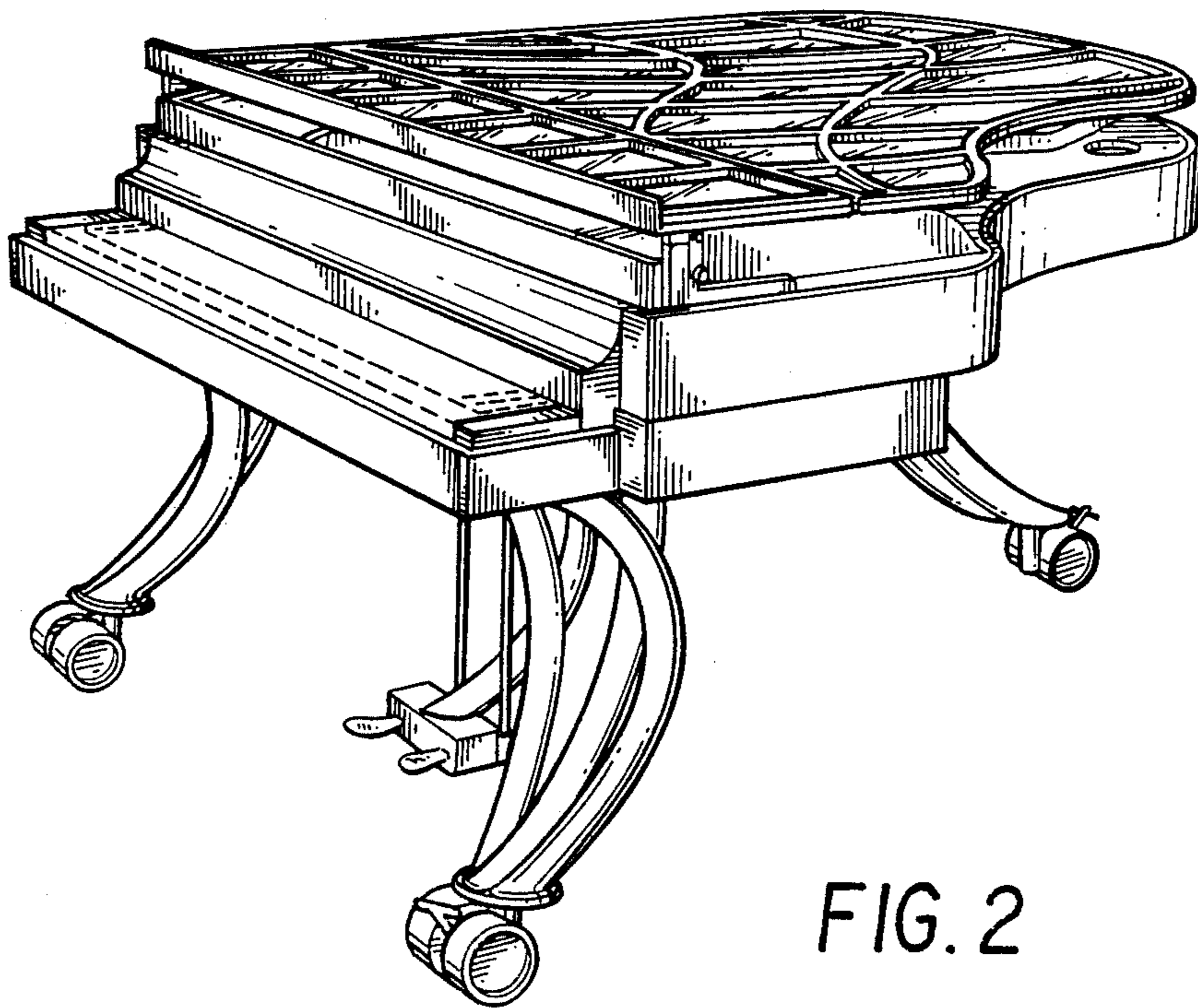


FIG. 2

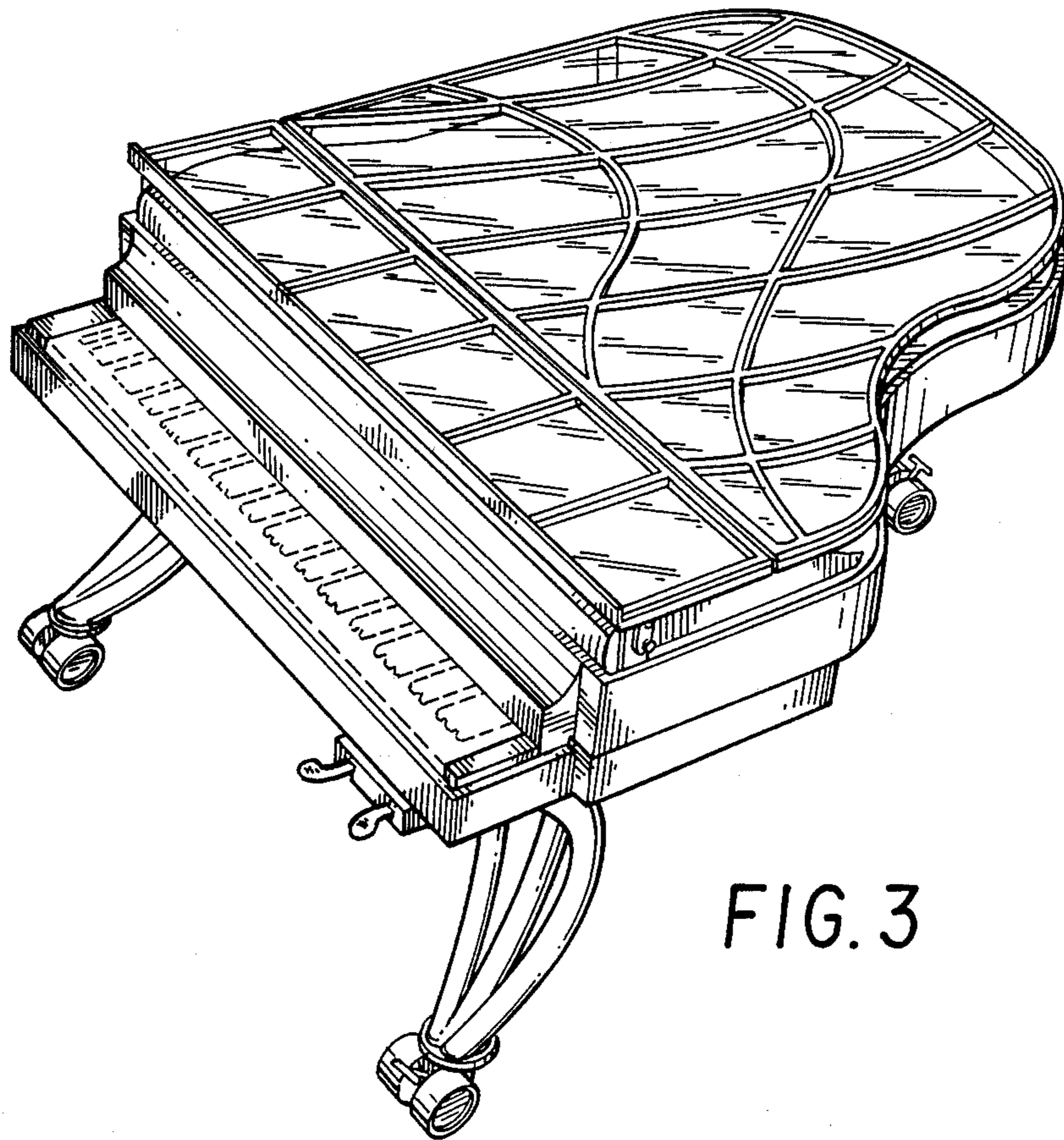


FIG. 3

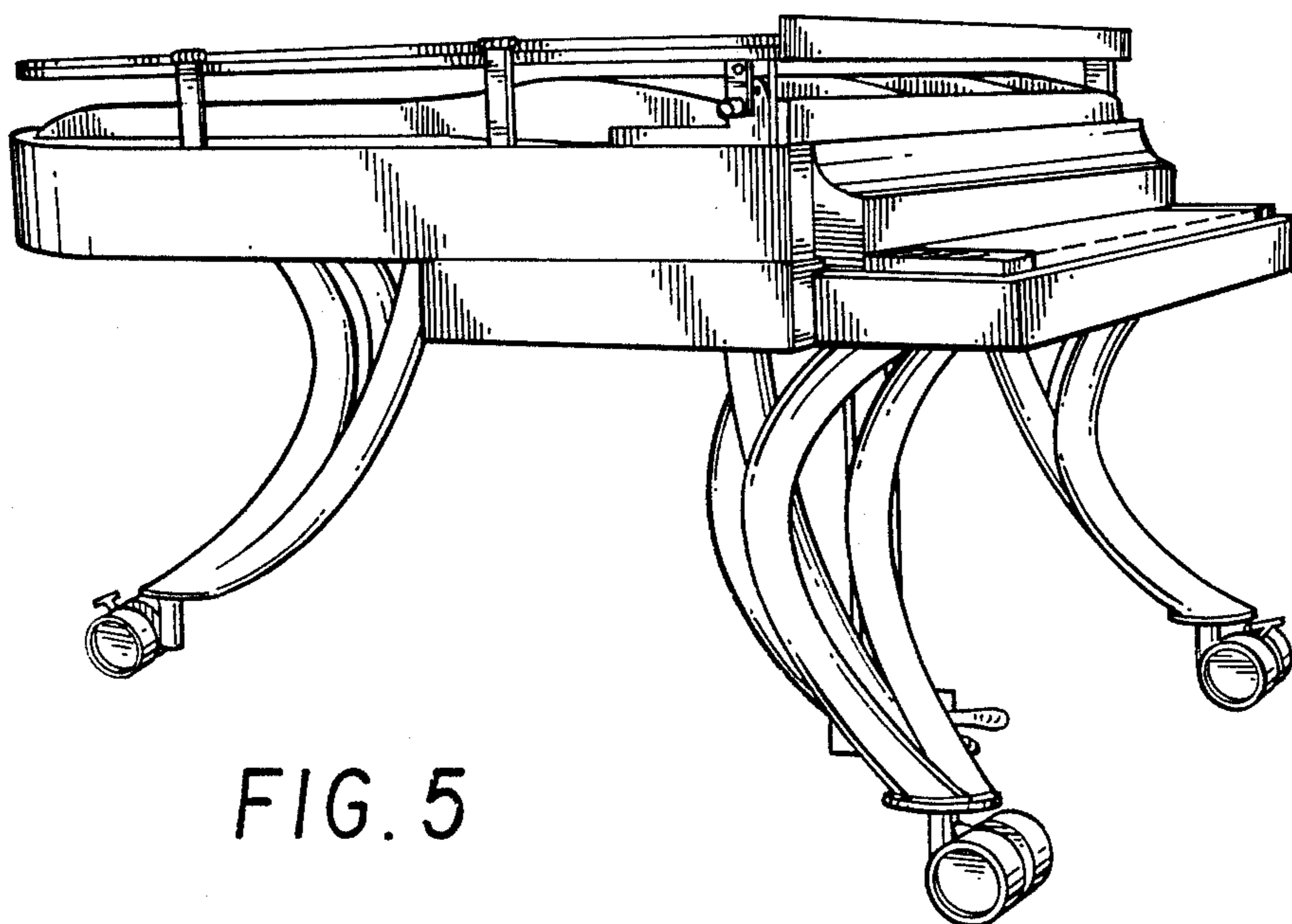


FIG. 5

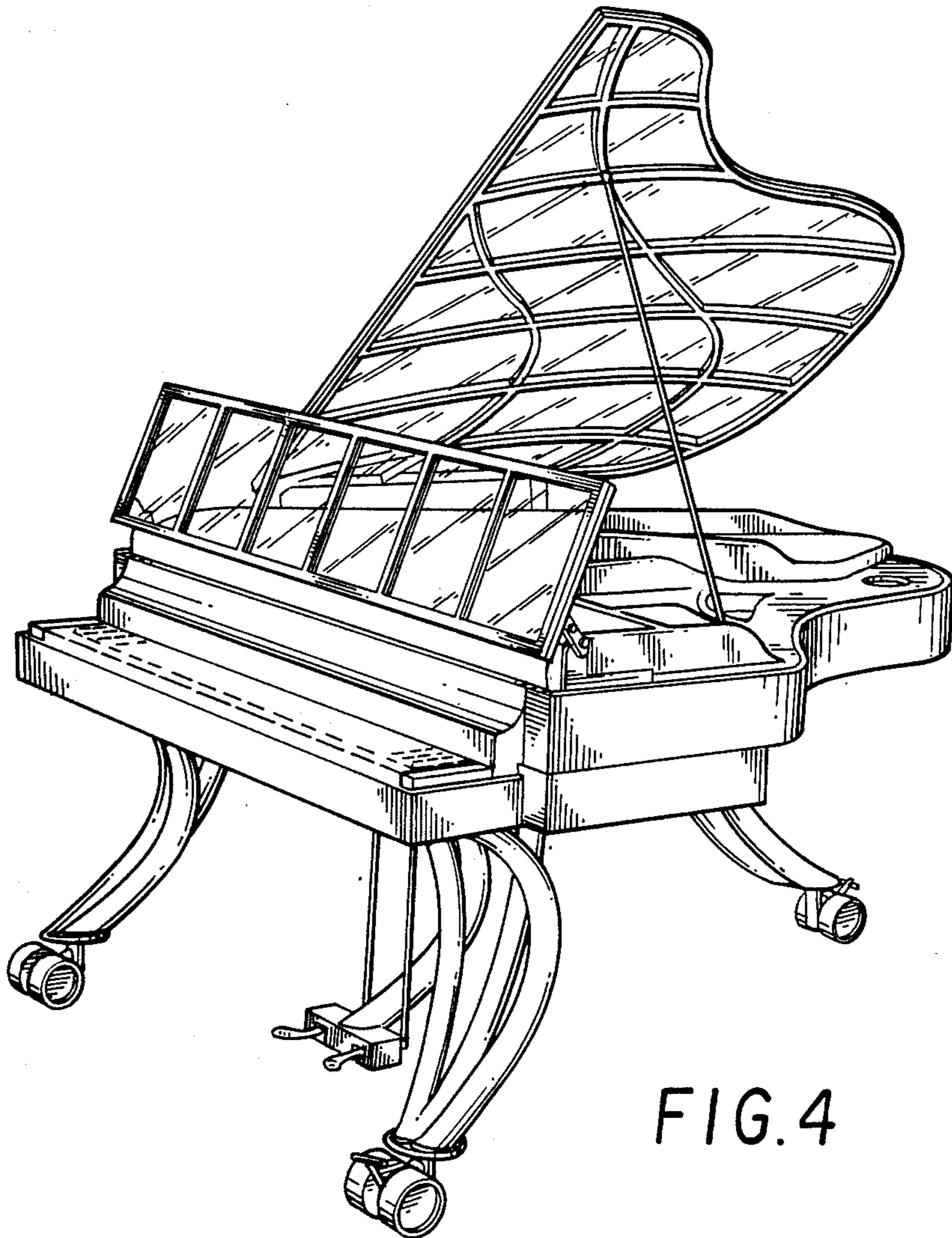


FIG. 4