

[54] **ROTARY MOUNT FOR A TELESCOPE OR THE LIKE**

[76] **Inventor: Howard Mednick, 16518 Dearborn St., Sepulveda, Calif. 91343**

[\*\*] **Term: 14 Years**

[21] **Appl. No.: 12,302**

[22] **Filed: Feb. 9, 1987**

[52] **U.S. Cl. .... D16/145; D16/242**

[58] **Field of Search .... D16/237, 242, 245; 224/265, 270, 904, 908; 354/81, 82, 292, 293; 248/177, 178, 180, 186, 187, 349**

[56] **References Cited**

**U.S. PATENT DOCUMENTS**

- D. 254,077 1/1980 Clementson ..... D16/245
- 1,743,184 1/1930 Beidler et al. .... 248/187
- 4,174,887 11/1979 Mesney ..... 354/292

- 4,482,118 11/1984 Hoffmann ..... 248/180
- 4,566,664 1/1986 Donald ..... 248/349

**FOREIGN PATENT DOCUMENTS**

- 409357 2/1945 Italy ..... 248/349

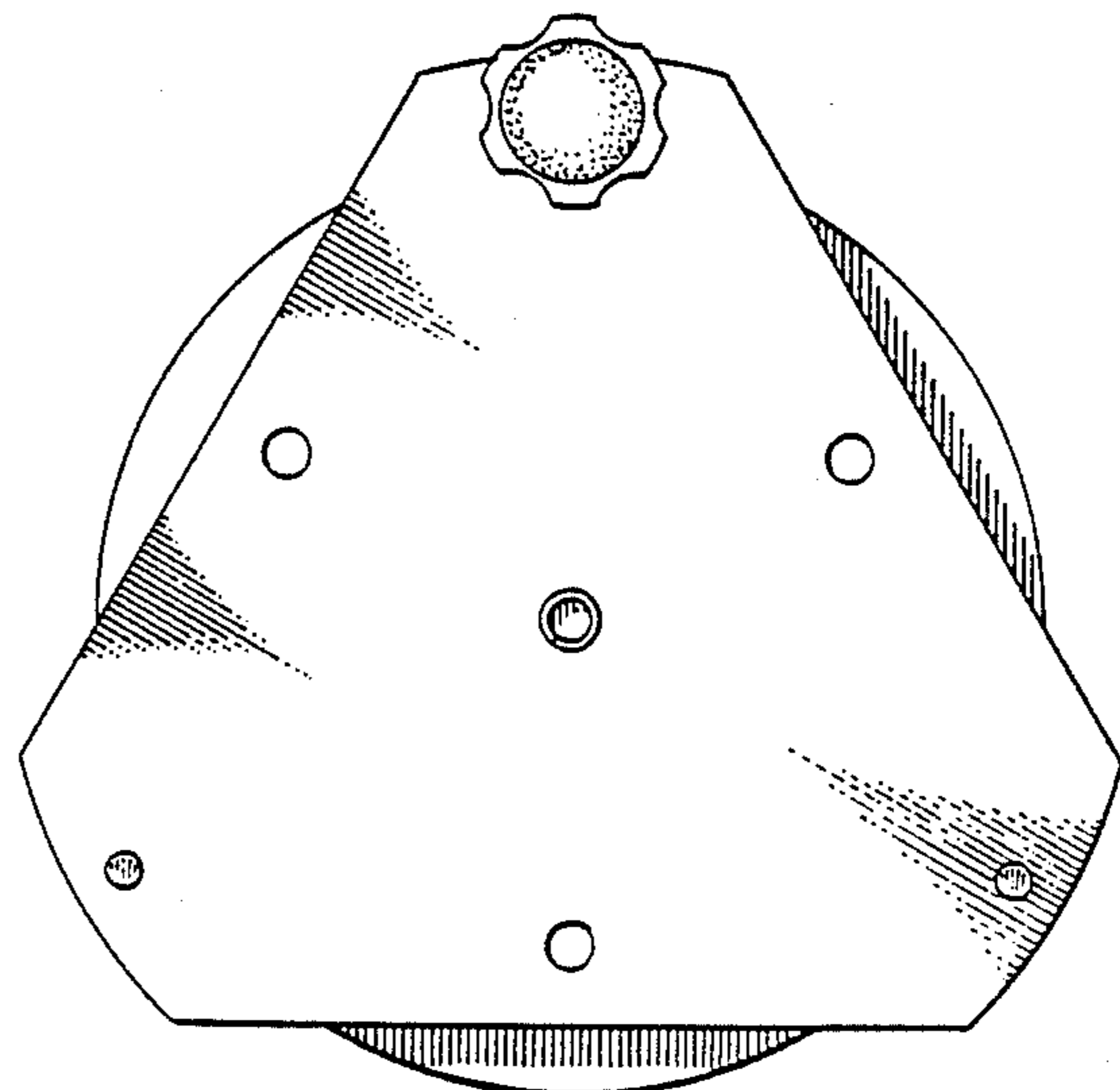
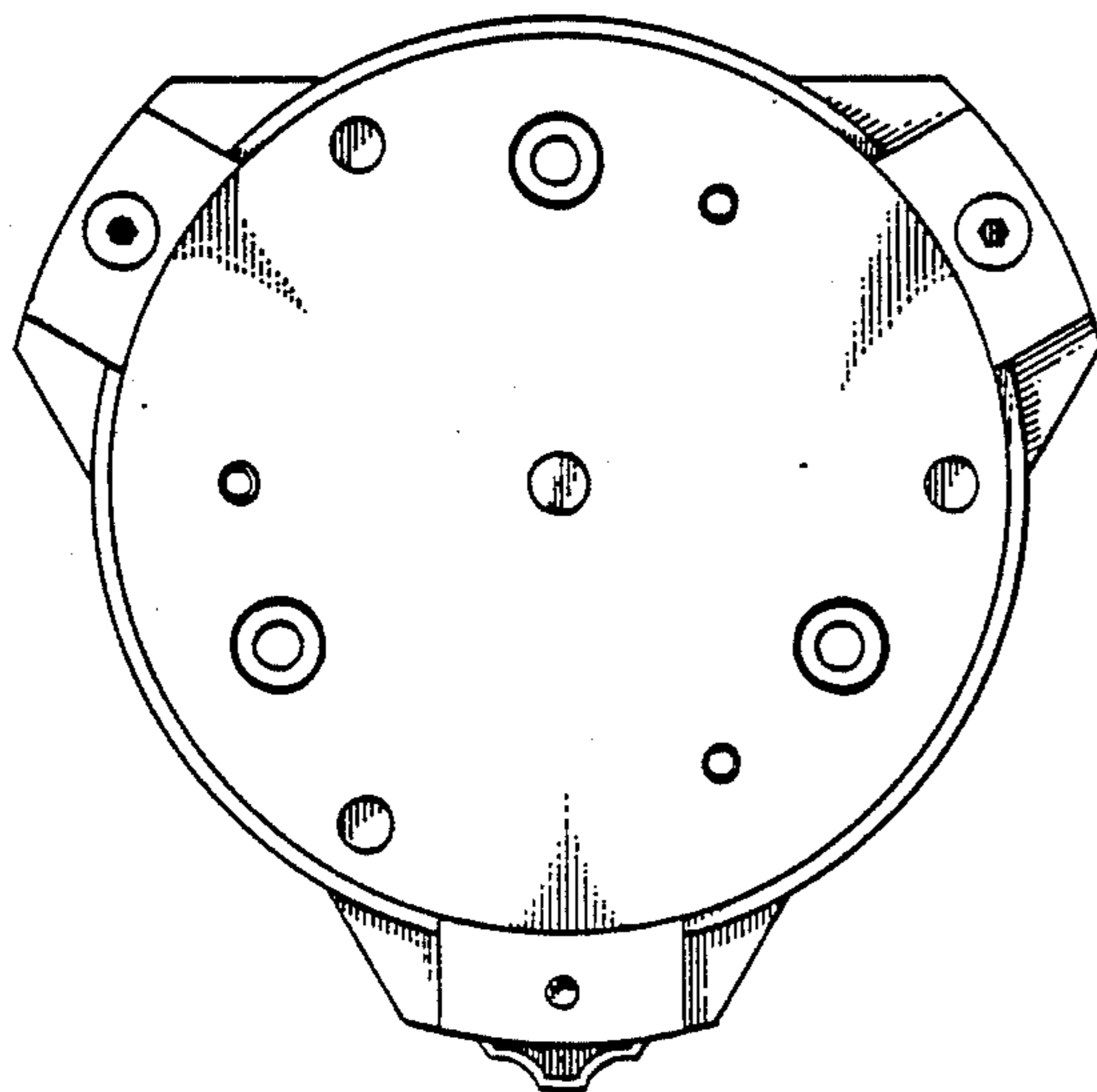
*Primary Examiner*—Bernard Ansher  
*Assistant Examiner*—Adir Aronovich  
*Attorney, Agent, or Firm*—Allan M. Shapiro

[57] **CLAIM**

The ornamental design for a rotary mount for a telescope or the like, as shown.

**DESCRIPTION**

FIG. 1 is a top plan view of a rotary mount for a telescope or the like, showing my new design; FIG. 2 is a front elevational view thereof; FIG. 3 is a bottom plan view thereof; and FIG. 4 is a rear elevational view thereof.



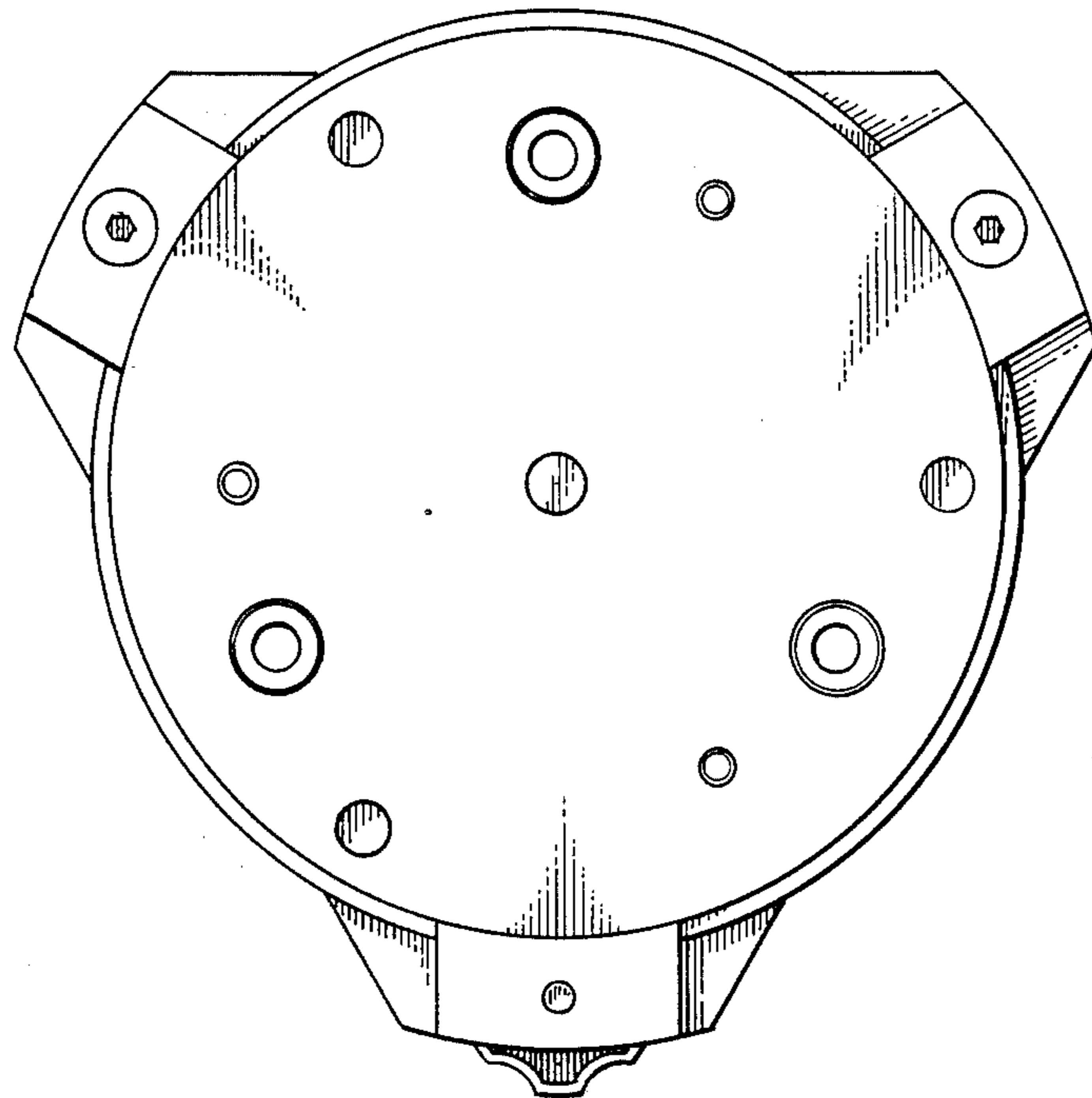


FIG. 1.

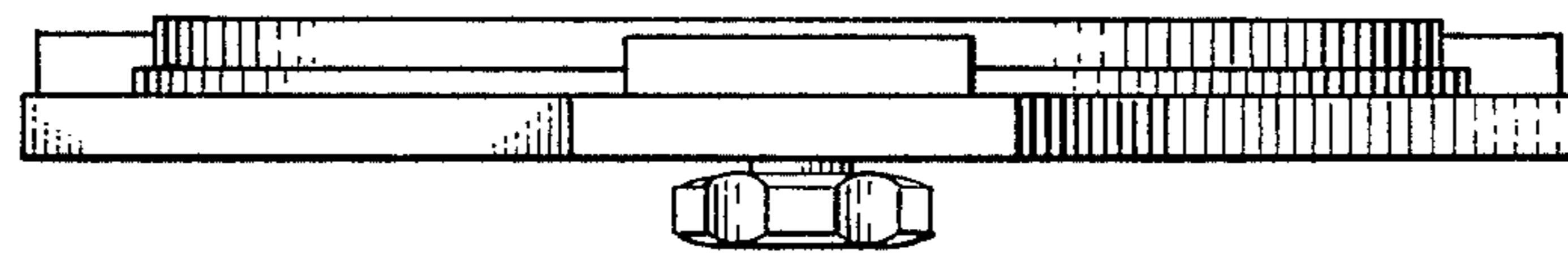


FIG. 2.

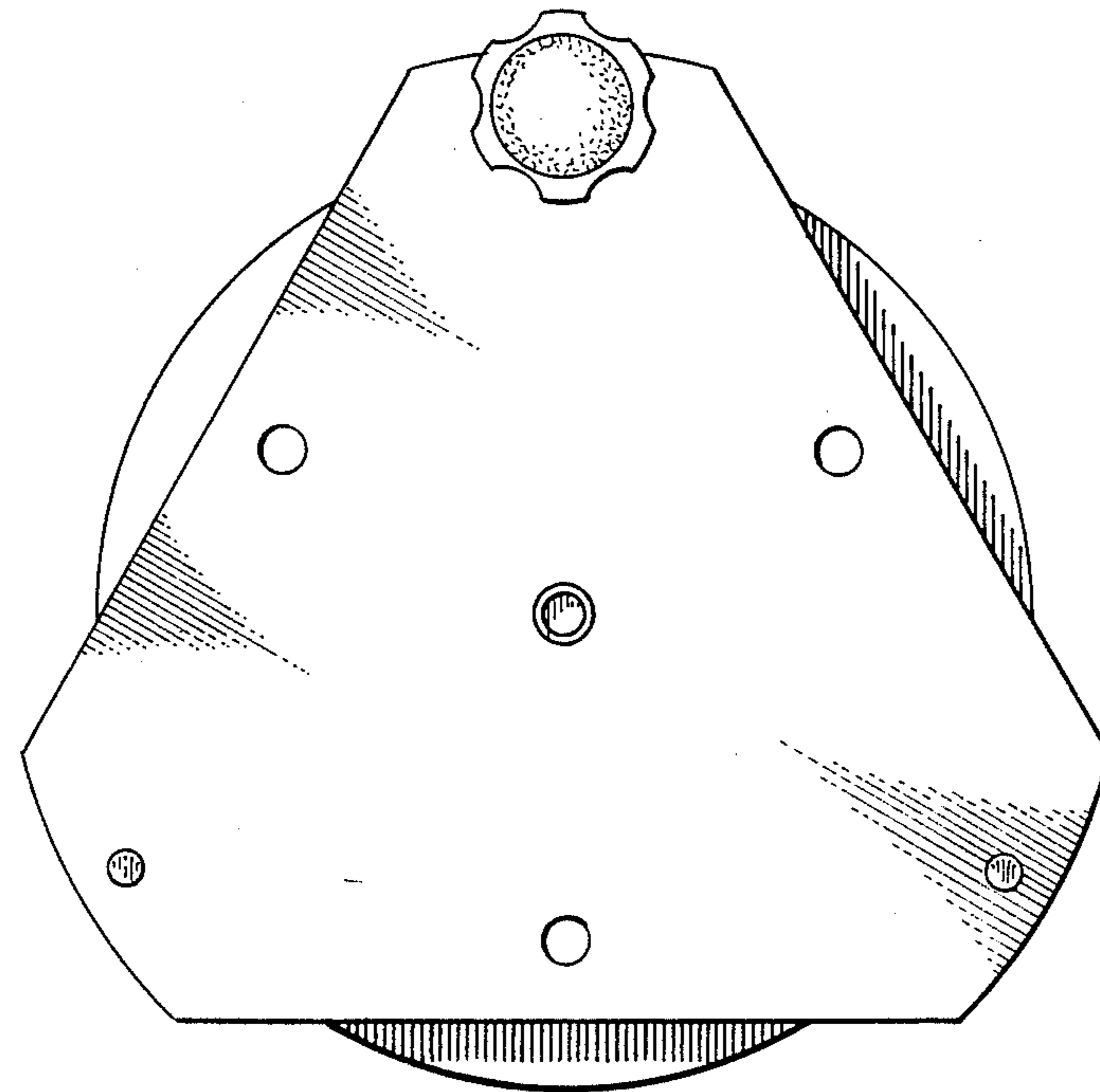


FIG. 3.

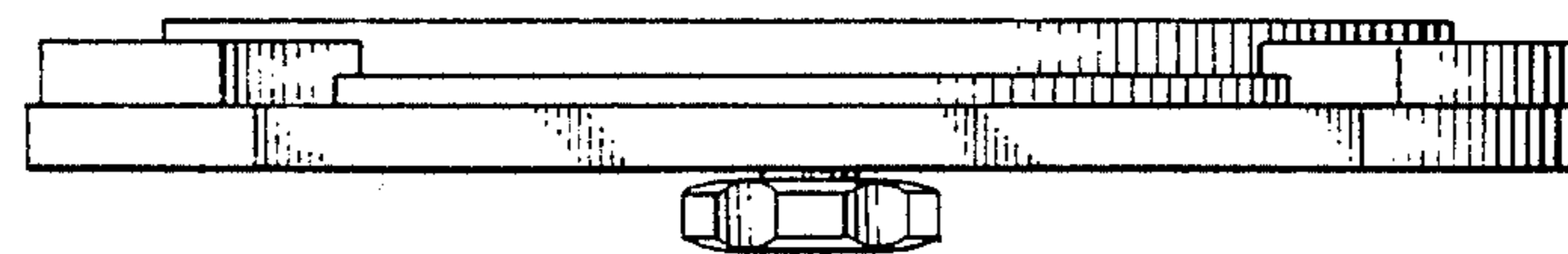


FIG. 4.