

[54] **PAIR OF BINOCULARS**

[76] **Inventor:** **Claus O. Huckenbeck**, Star Rte. 3,
P.O. Box 4625-11, Tehachapi, Calif.
93561

[**] **Term:** **14 Years**

[21] **Appl. No.:** **265,433**

[22] **Filed:** **Oct. 28, 1988**

[52] **U.S. Cl.** **D16/133**

[58] **Field of Search** **D16/133; 350/545, 546,**
350/548, 549, 550, 551, 552, 555, 556

[56] **References Cited**

U.S. PATENT DOCUMENTS

3,312,518 4/1967 **Bushnell** **D16/133 X**
3,431,043 3/1969 **Cassidy et al.** **D16/133 X**

OTHER PUBLICATIONS

1984 Shot Show Guide by the Sporting Goods Dealer,
Dec. 1983, p. 97, Swarovski Binoculars.

Primary Examiner—A. Hugo Word
Assistant Examiner—Doris V. Coles
Attorney, Agent, or Firm—John S. Norton

[57] **CLAIM**

The ornamental design for a pair of binoculars, as
shown and described.

DESCRIPTION

FIG. 1 is a top plan view of a pair of binoculars showing
my new design;

FIG. 2 is a top left perspective view thereof;

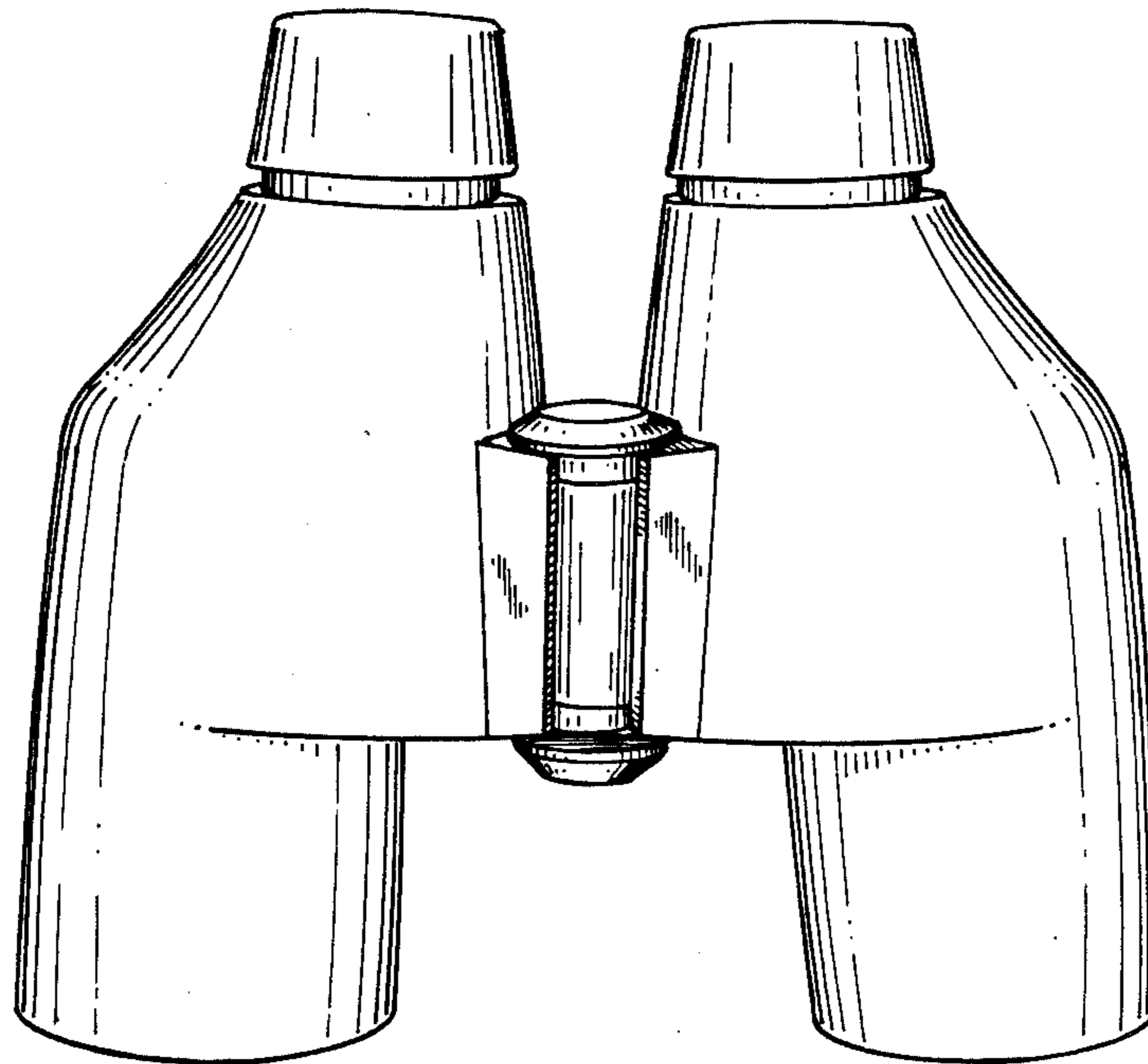
FIG. 3 is another top left perspective view thereof;

FIG. 4 is a front end elevational view thereof;

FIG. 5 is a rear end elevational view thereof;

FIG. 6 is a bottom right perspective view thereof; and

FIG. 7 is a bottom left perspective view thereof.



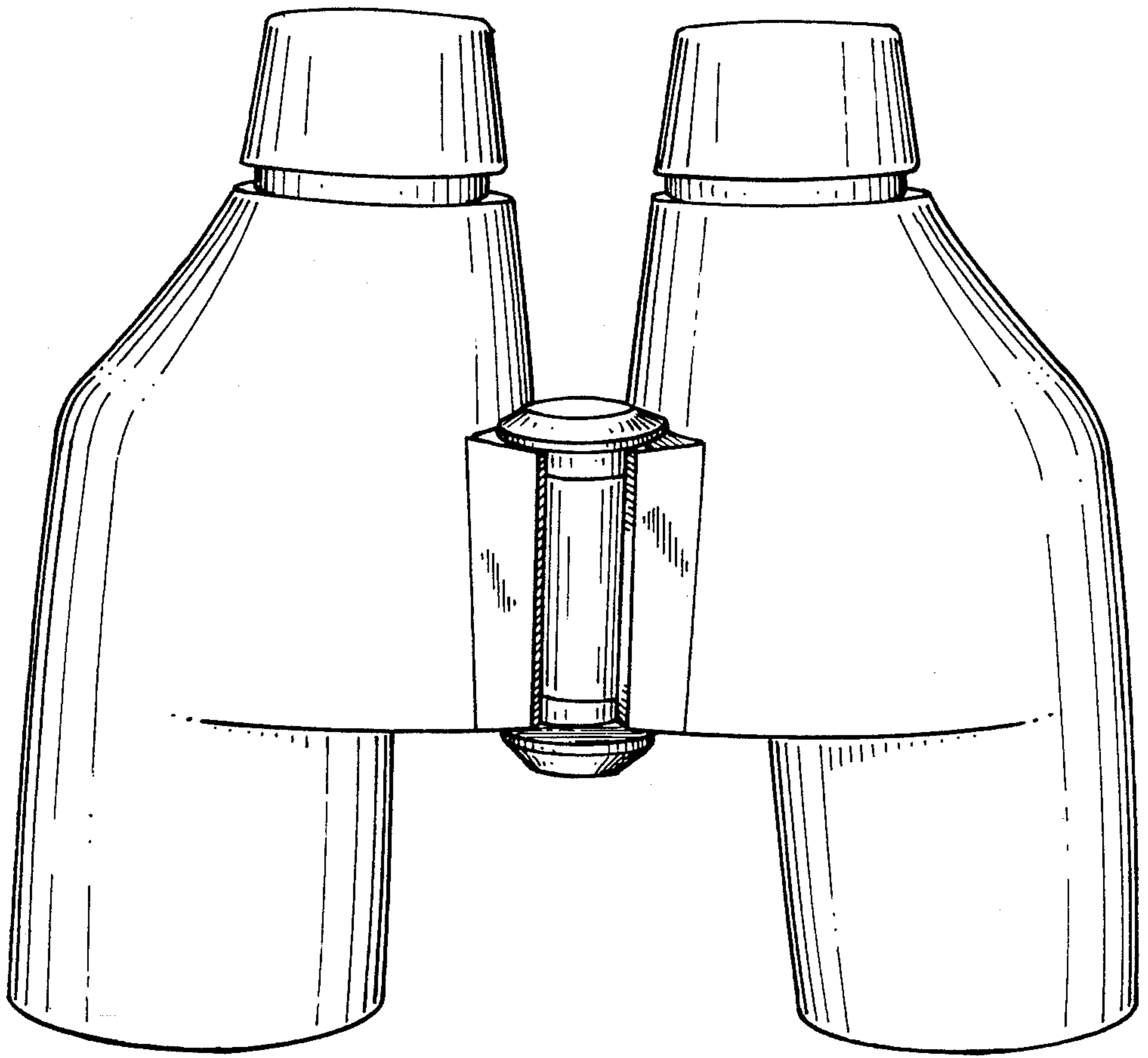


Fig. 1

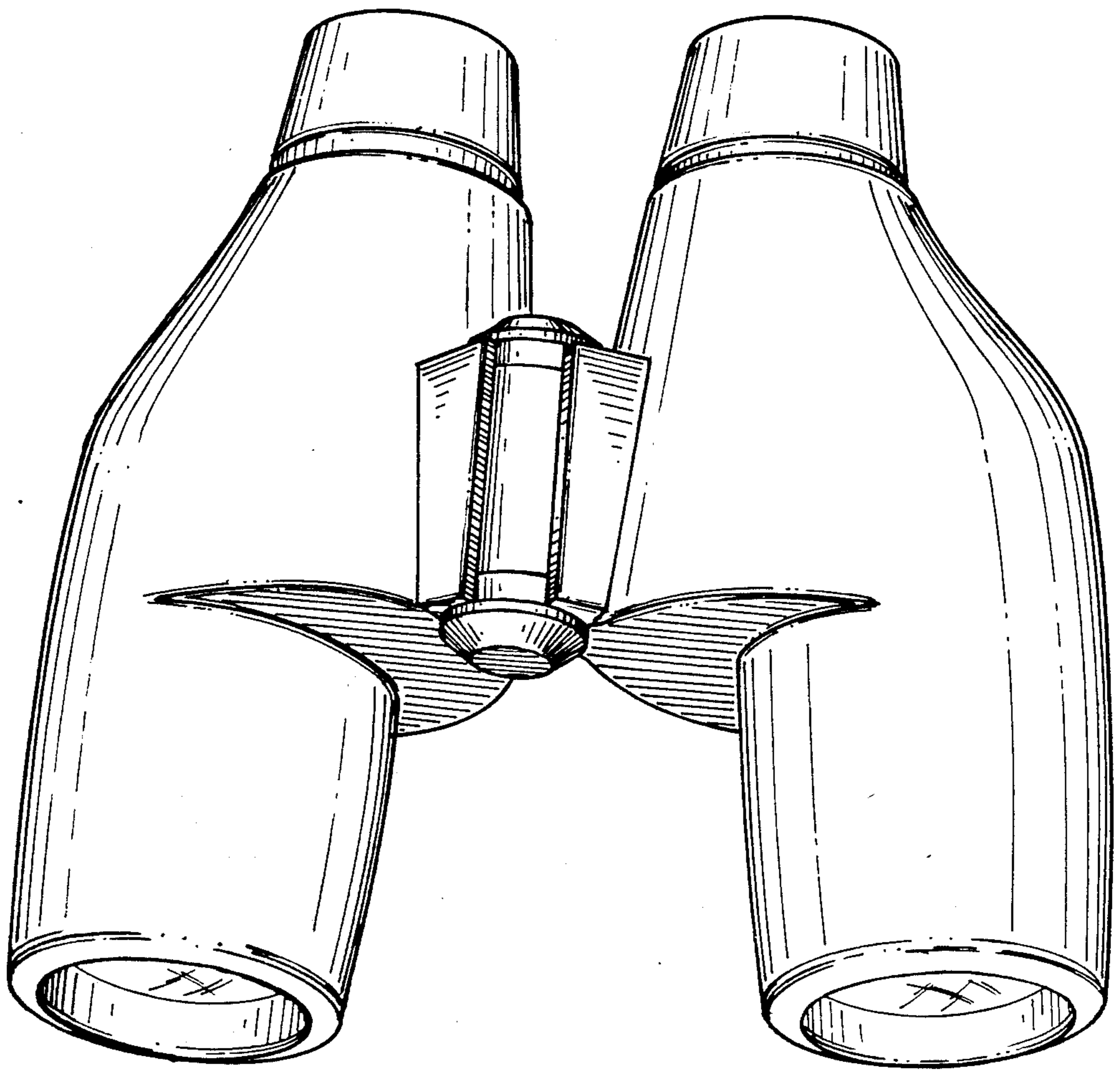


Fig. 2



Fig. 3

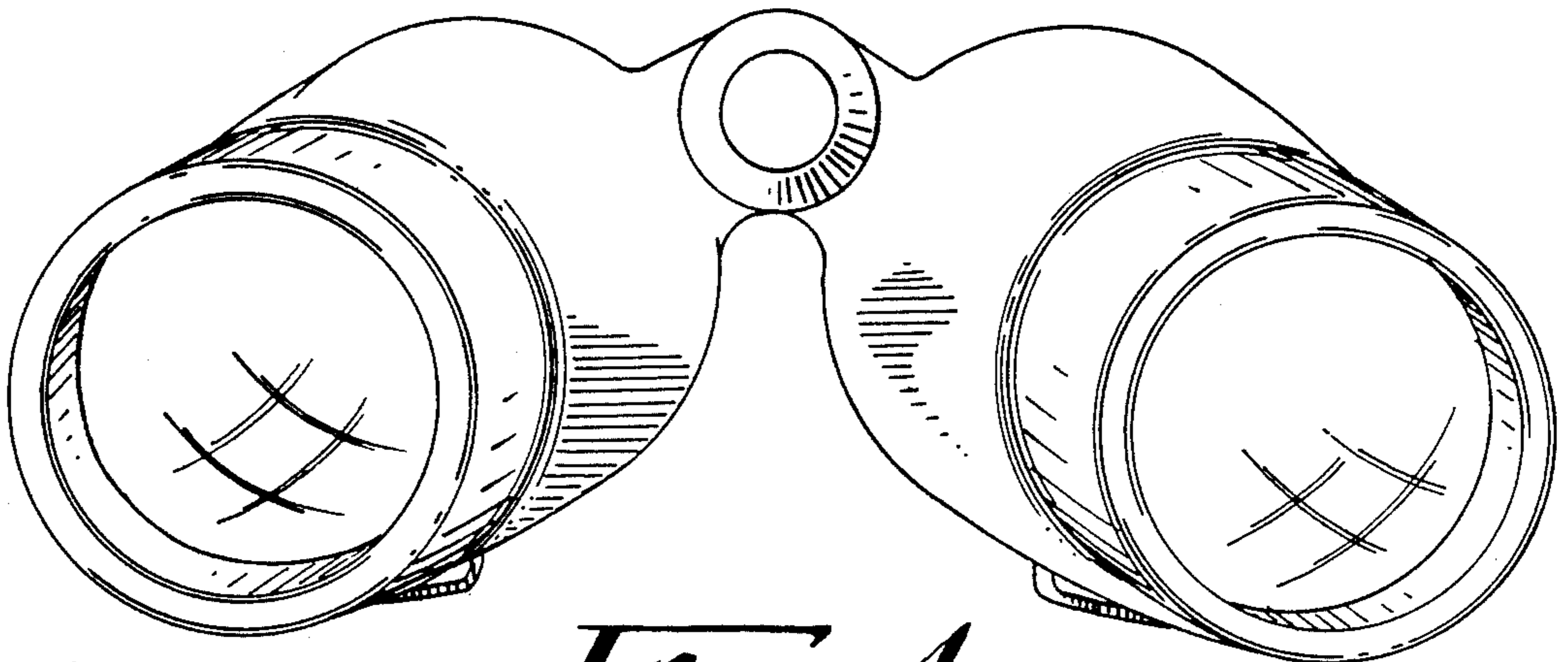


Fig. 4

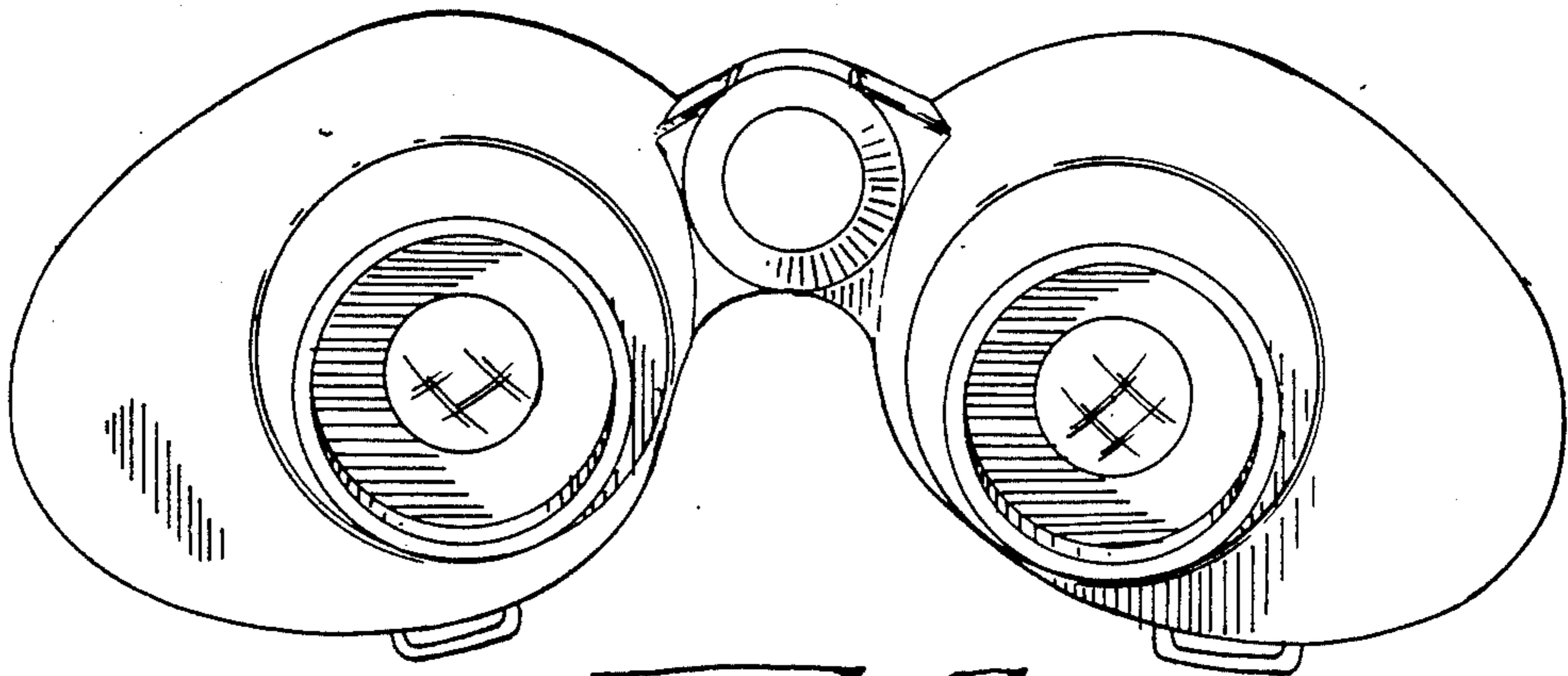


Fig. 5

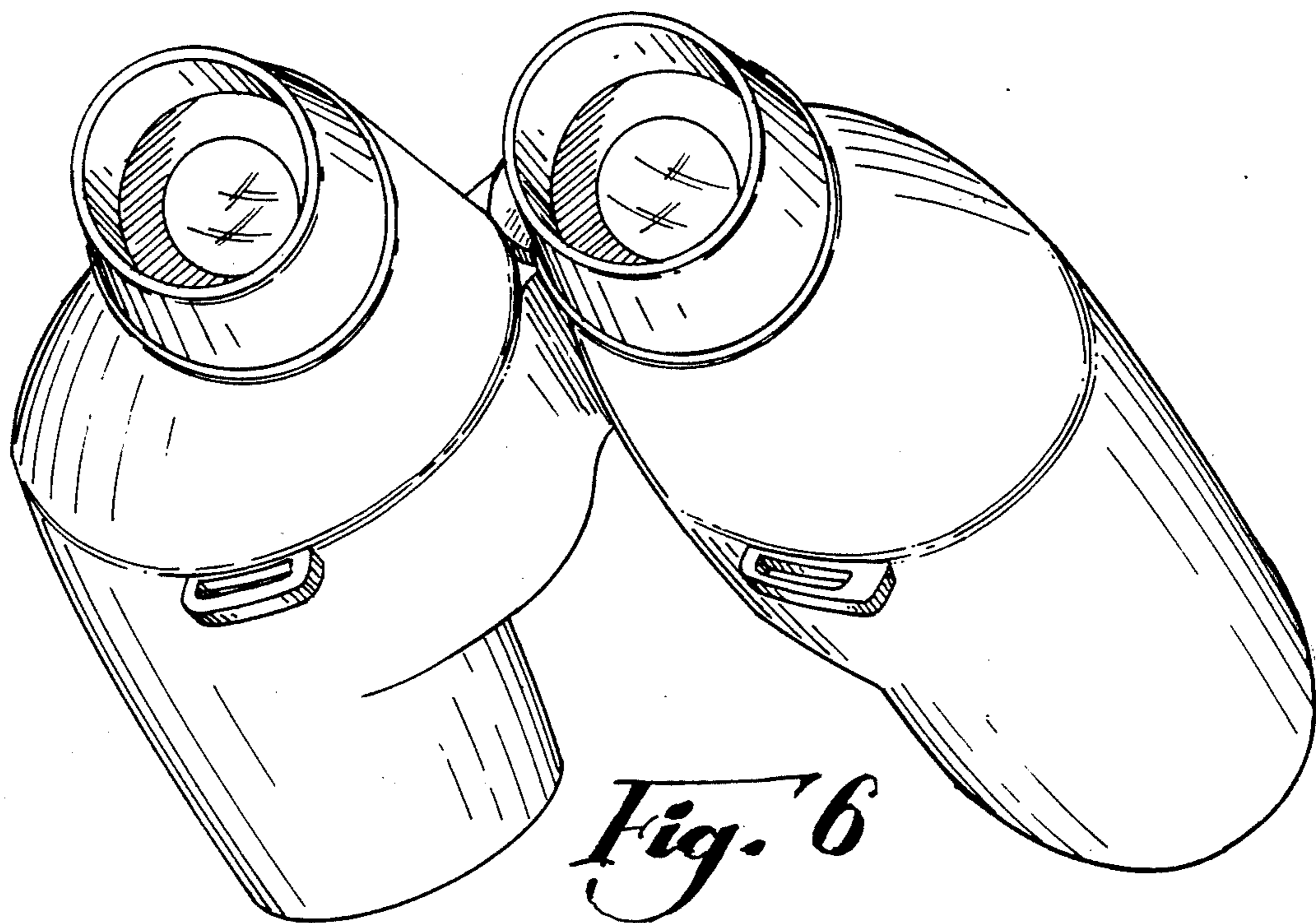


Fig. 6

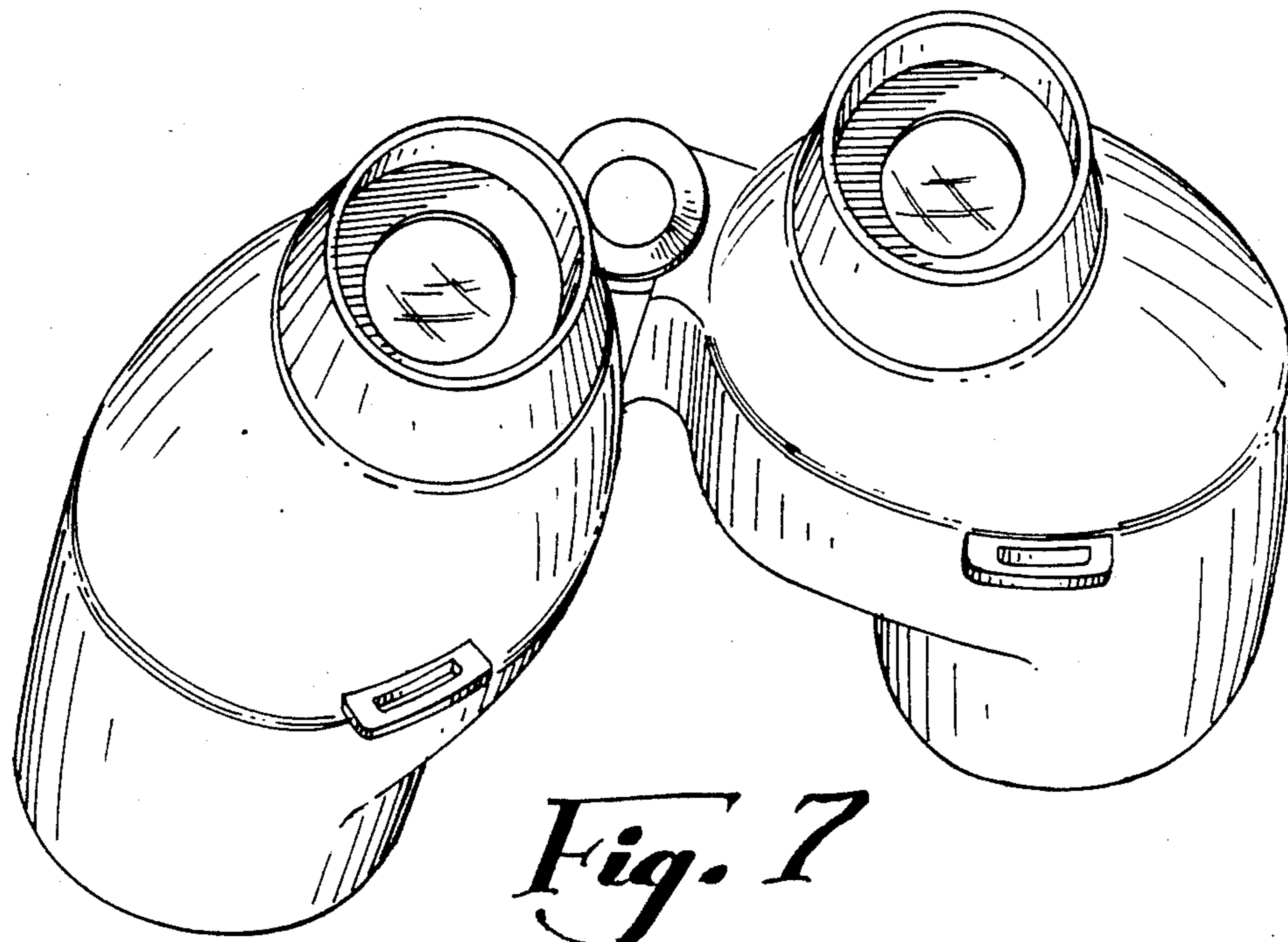


Fig. 7

UNITED STATES PATENT AND TRADEMARK OFFICE
CERTIFICATE OF CORRECTION

PATENT NO. : D-308,066
DATED : May 22, 1990
INVENTOR(S) : Claus O. Huckenbeck

It is certified that error appears in the above-identified patent and that said Letters Patent is hereby corrected as shown below:

Title page, before the heading "Term" insert the heading --(73) Assignee: Bausch & Lomb Incorporated
Rochester, N.Y. --.

Signed and Sealed this
Third Day of September, 1991

Attest:

Attesting Officer

HARRY F. MANBECK, JR.

Commissioner of Patents and Trademarks