

[54] WORKPIECE CLAMP FOR FLAT BED JIG

[76] Inventor: Jimmy Hiseh, 65, Sec. 3 Chung Ching N. Road, Taipei 10316, Taiwan

[**] Term: 14 Years

[21] Appl. No.: 37,401

[22] Filed: Apr. 13, 1987

[52] U.S. Cl. D15/138

[58] Field of Search D8/71, 394; D15/138; 411/85; 409/225, 241, 900.1, 900.2; 269/45, 91, 93, 234, 303

[56] References Cited

U.S. PATENT DOCUMENTS

744,559	11/1903	Kendrick	411/85
2,499,408	3/1950	Nipken	409/225
2,637,249	5/1953	Swenson	269/91
2,803,277	8/1957	Gamura	269/93

3,078,088	2/1963	Einsiedler	269/91
3,687,441	8/1972	Anderson	269/91
4,261,558	4/1981	Carossino	269/91
4,645,391	2/1987	Fallert	409/225

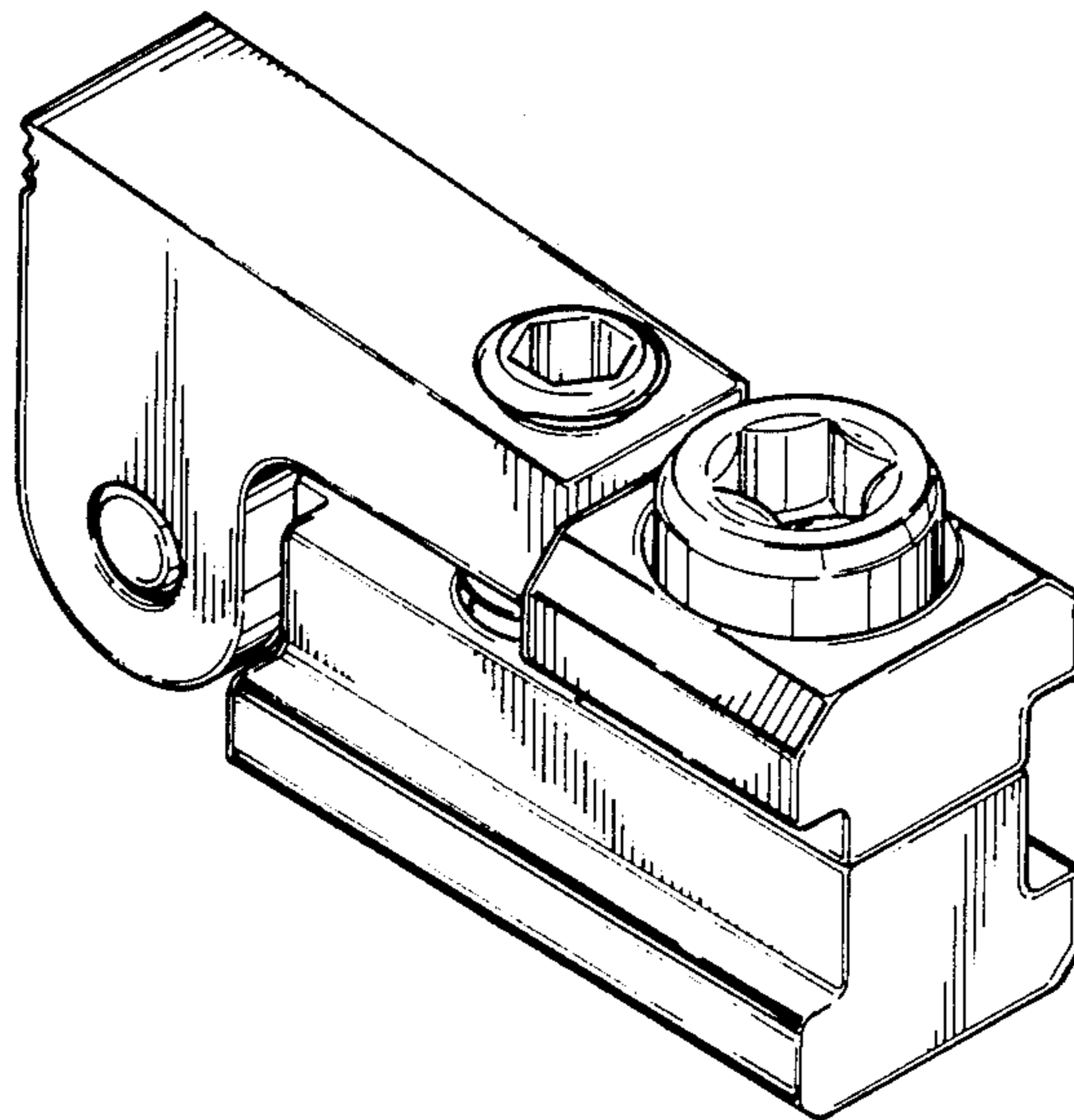
Primary Examiner—B. J. Bullock
Attorney, Agent, or Firm—Notaro & Michalos

[57] CLAIM

The ornamental design for a workpiece clamp for flat bed jig, as shown and described.

DESCRIPTION

FIG. 1 is a front, right, top perspective view of a workpiece clamp for flat bed jig showing my new design; FIG. 2 is a front elevational view thereof, the rear elevational view being a substantially identical mirror image of FIG. 2; FIG. 3 is a left side elevational view thereof; FIG. 4 is a right side elevational view thereof; FIG. 5 is a top plan view thereof; and FIG. 6 is a bottom plan view thereof.



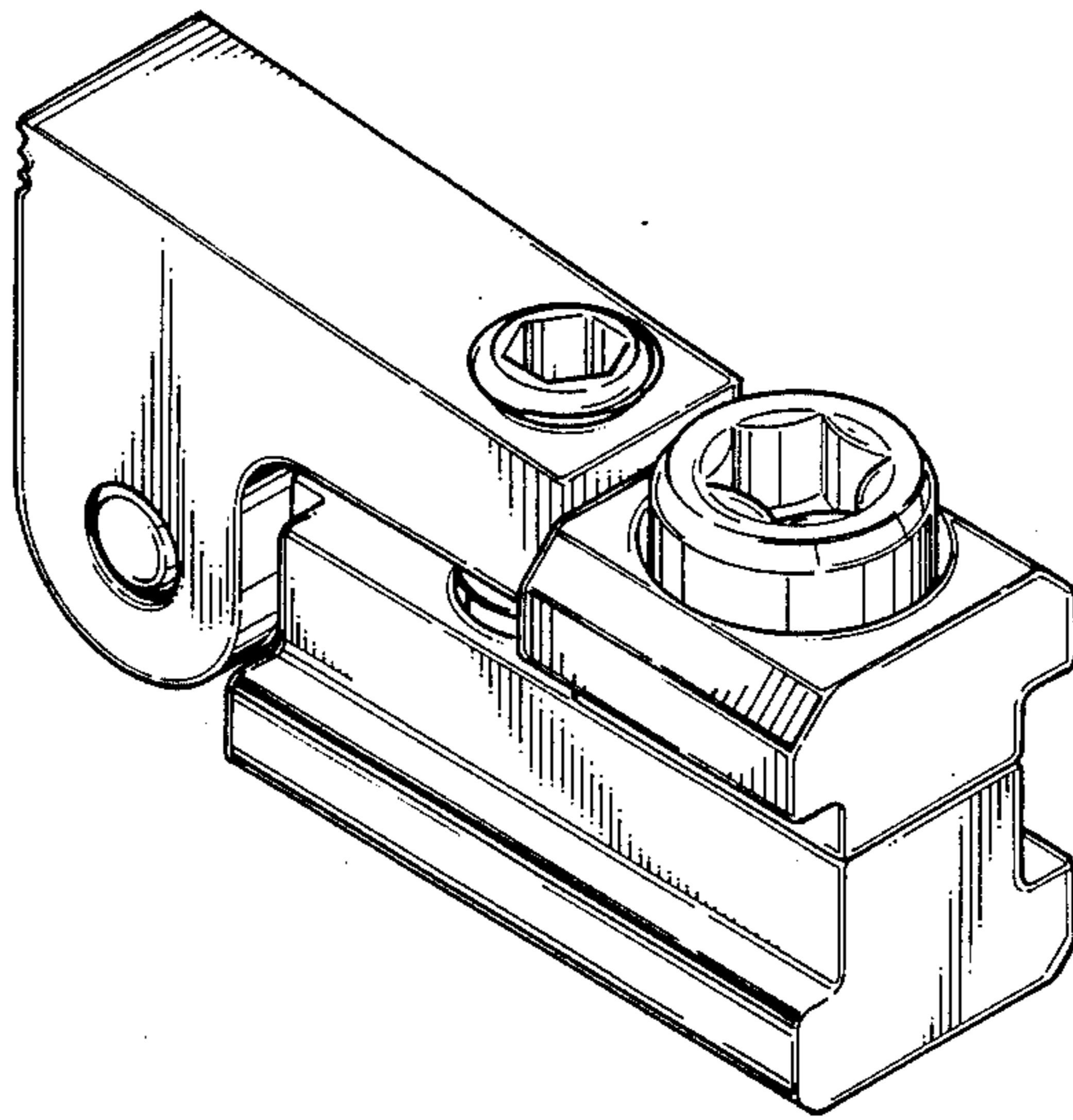


FIG.-1

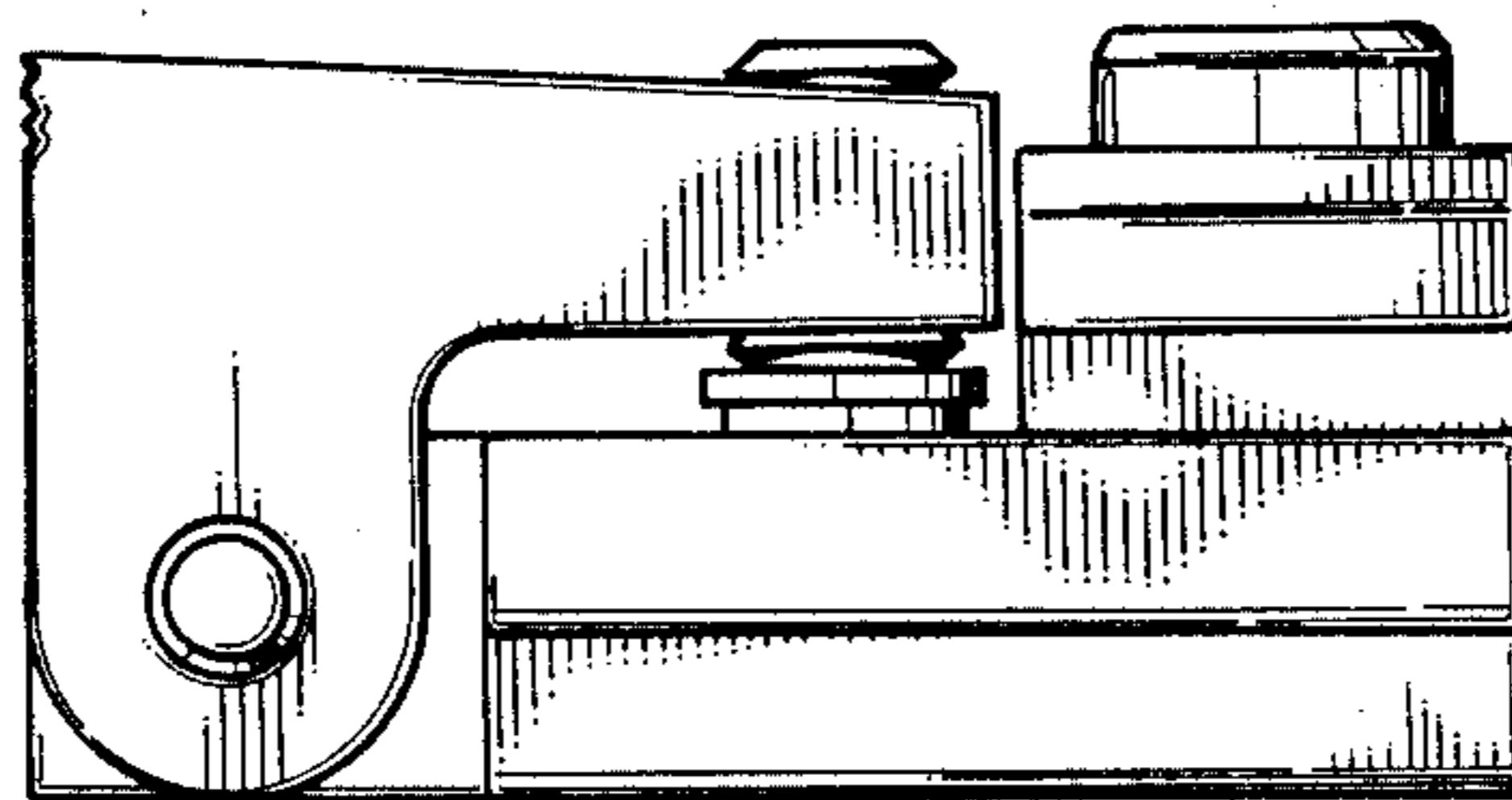


FIG.-2

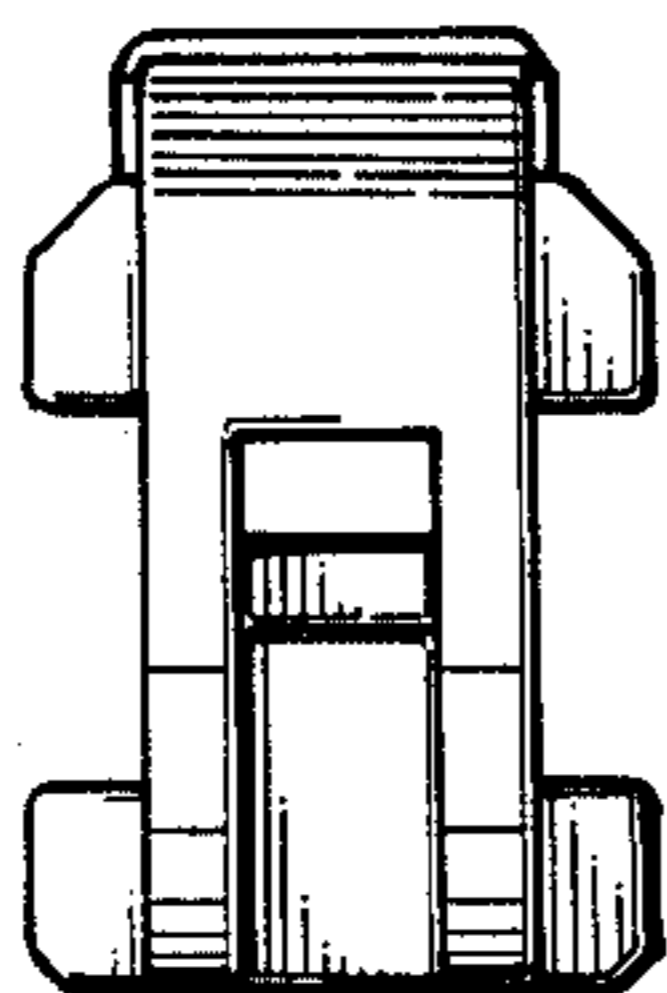


FIG.-3

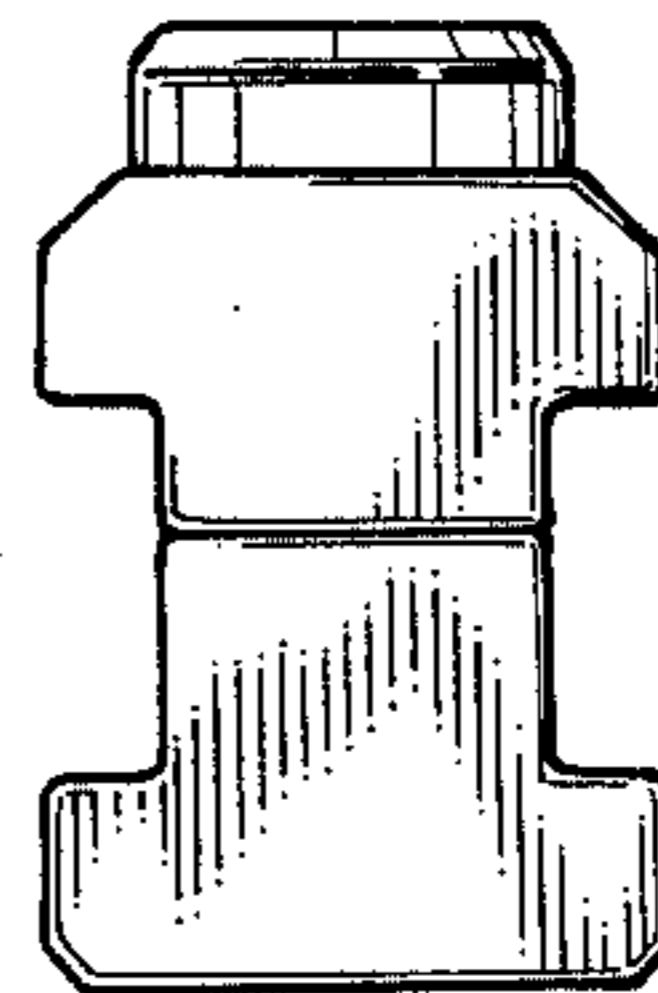


FIG.-4

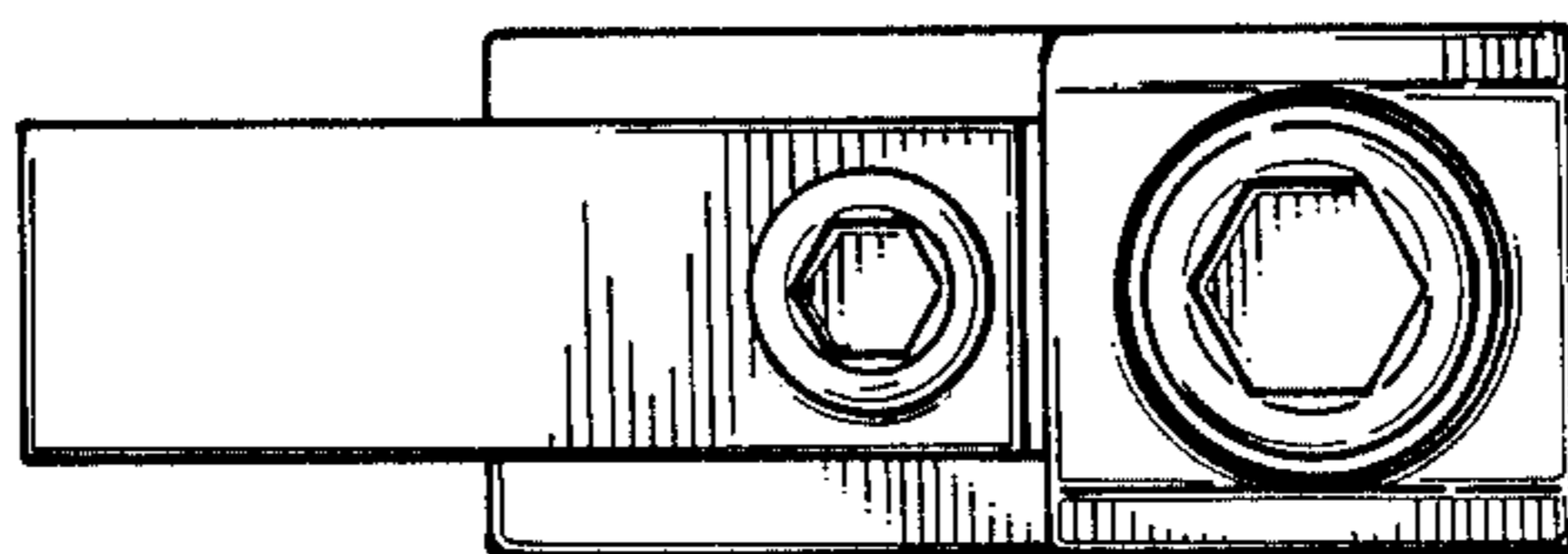


FIG.-5

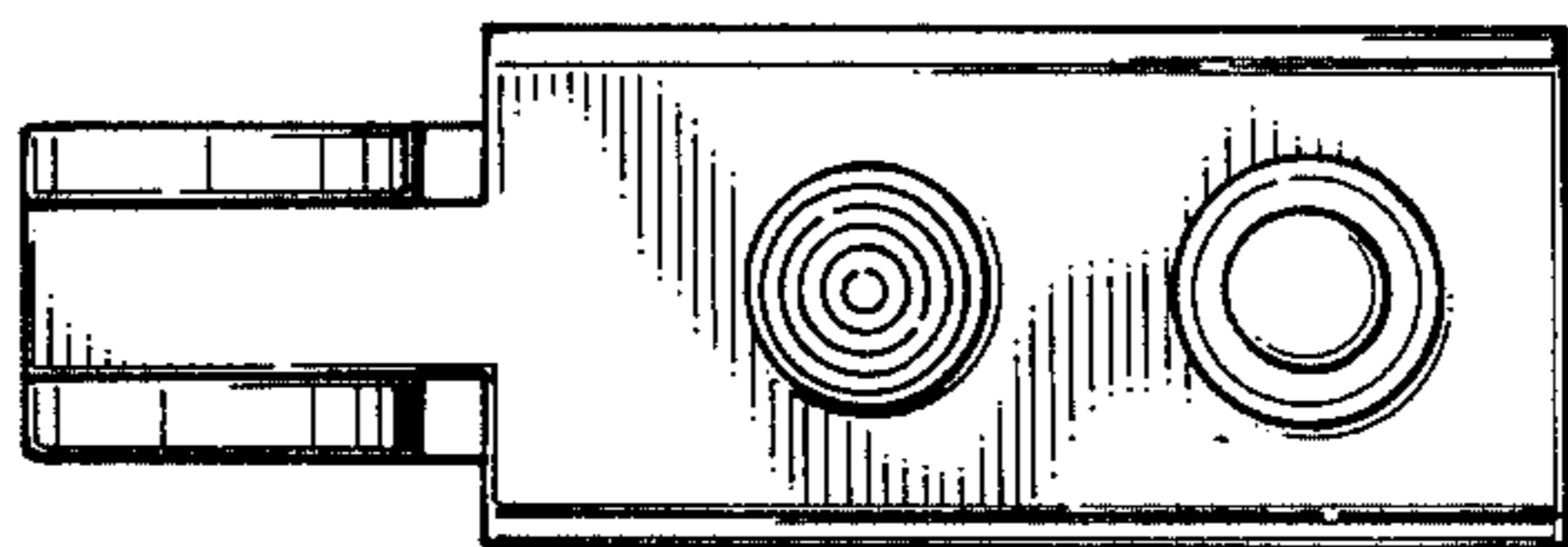


FIG.-6