

[54] **SLIDE PLATE OF A SEWING MACHINE**

[75] **Inventor: Masatomo Amemiya, Hachioji, Japan**

[73] **Assignee: Janome Sewing Machine Co. Ltd.,  
Tokyo, Japan**

[\*\*] **Term: 14 Years**

[21] **Appl. No.: 15,272**

[22] **Filed: Feb. 17, 1987**

[30] **Foreign Application Priority Data**

Aug. 22, 1986 [JP] Japan ..... 32471  
[52] **U.S. Cl.** ..... **D15/72**  
[58] **Field of Search** ..... **D15/66, 68-69,**  
**D15/72-73, 76, 78; 112/51, 136, 141, 153, 227,**  
**257-261**

[56]

**References Cited**

**U.S. PATENT DOCUMENTS**

D. 193,696 9/1962 Szuba et al. .... D15/72  
3,131,660 5/1964 Idomoto ..... 112/260  
4,395,962 8/1983 Odermann ..... 112/260

*Primary Examiner*—A. Hugo Word  
*Assistant Examiner*—Ruth McInroy  
*Attorney, Agent, or Firm*—Michael J. Striker

[57]

**CLAIM**

The ornamental design for a sewing machine, as shown and described.

**DESCRIPTION**

FIG. 1 is a front elevational view of a slide plate of a sewing machine showing my new design; FIG. 2 is a rear elevational view thereof; FIG. 3 is a left side elevational view thereof; FIG. 4 is a right side elevational view thereof; FIG. 5 is a top plan view thereof; FIG. 6 is a bottom plan view thereof; and FIG. 7 is a perspective view thereof.

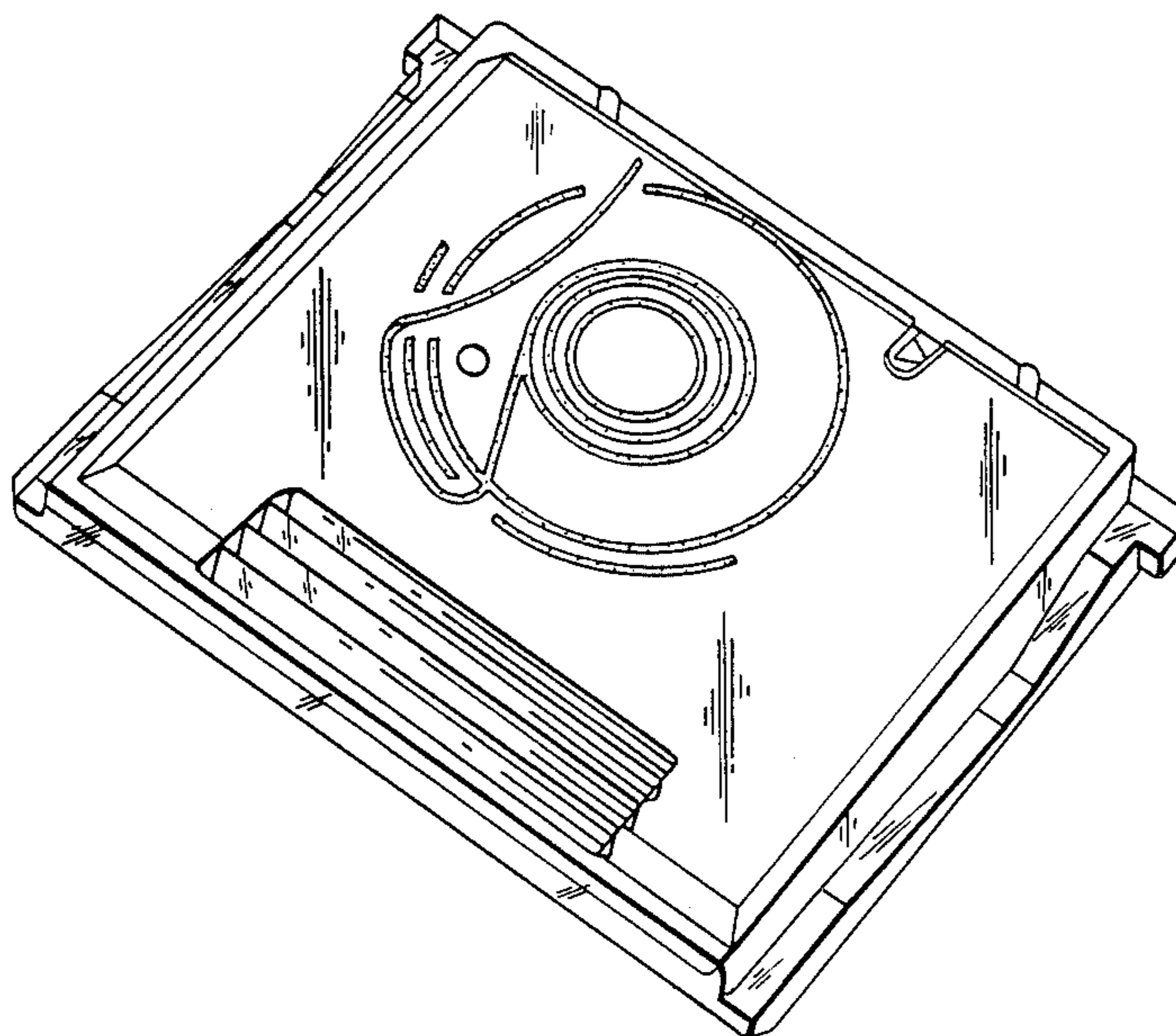


FIG. 2



FIG. 1



FIG. 3



FIG. 4

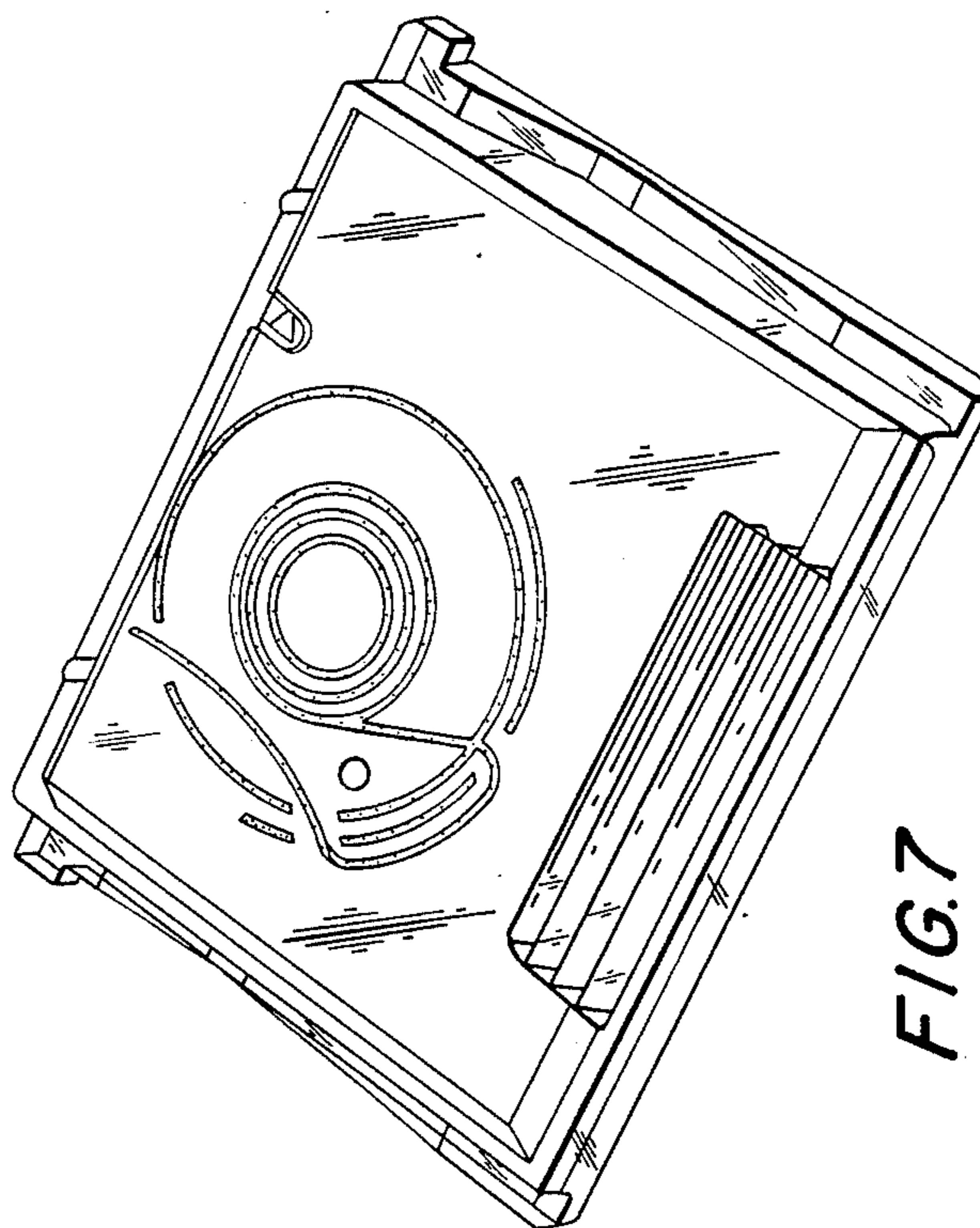


FIG. 7

FIG. 6

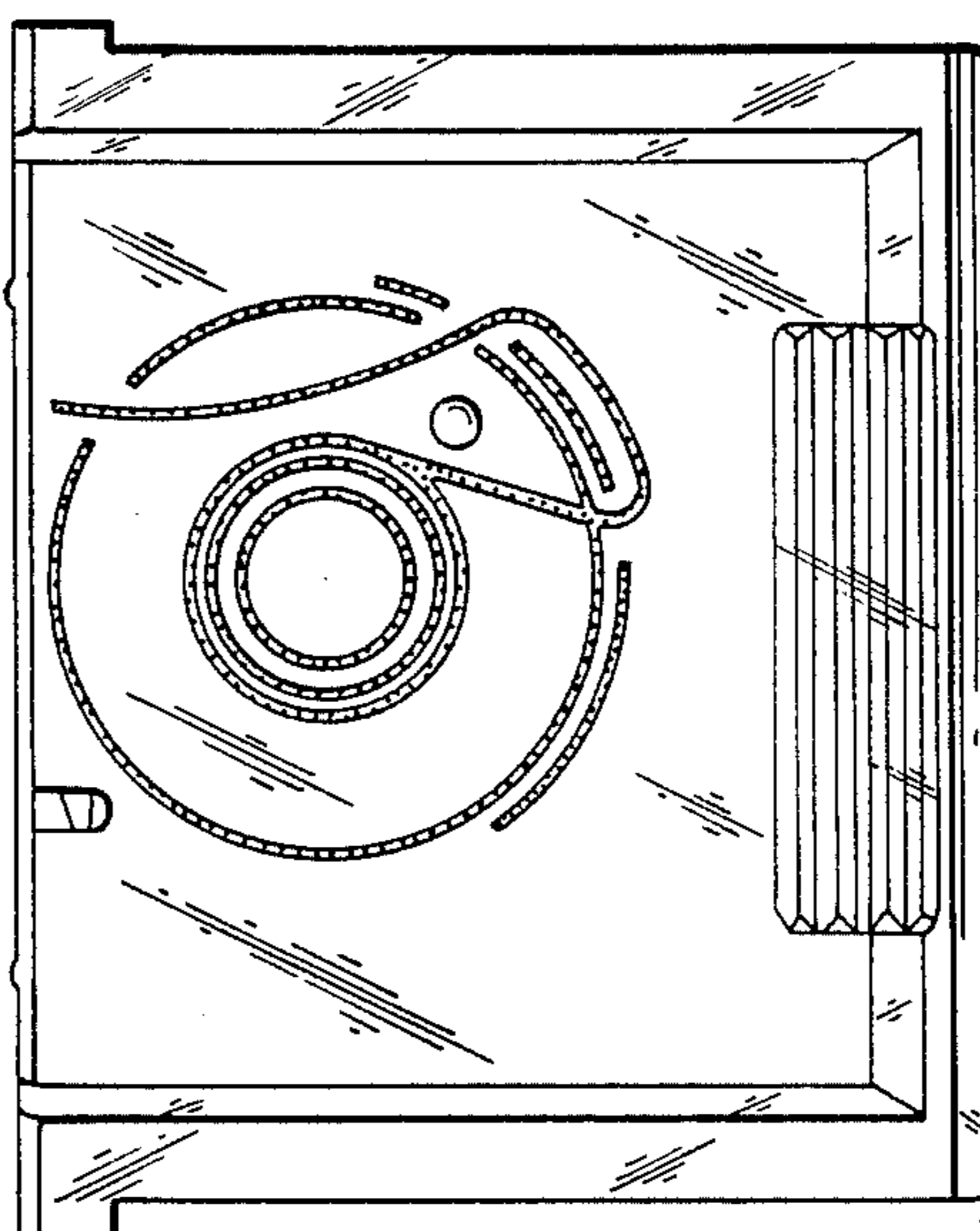


FIG. 5

