

[54] VIDEO DISPLAY FOR COMPUTER

[75] Inventor: Stephen Peart, Los Gatos, Calif.

[73] Assignee: Apple Computer, Inc., Cupertino, Calif.

[**] Term: 14 Years

[21] Appl. No.: 26,559

[22] Filed: Mar. 17, 1987

[52] U.S. Cl. D14/113

[58] Field of Search D14/100, 105, 106, 107, D14/113, 114, 115, 102; 340/700, 706, 711, 712; 341/22, 23; 358/248, 249, 254; 312/7.2, 208; 248/122, 125, 127, 133, 149, 161, 178, 179, 183, 346, 349, 371

[56] References Cited

U.S. PATENT DOCUMENTS

D. 259,343 5/1981 Chamberlain et al. D14/113

D. 284,008 5/1986 Esslinger et al. D14/113
D. 295,863 5/1988 Sacherman D14/113

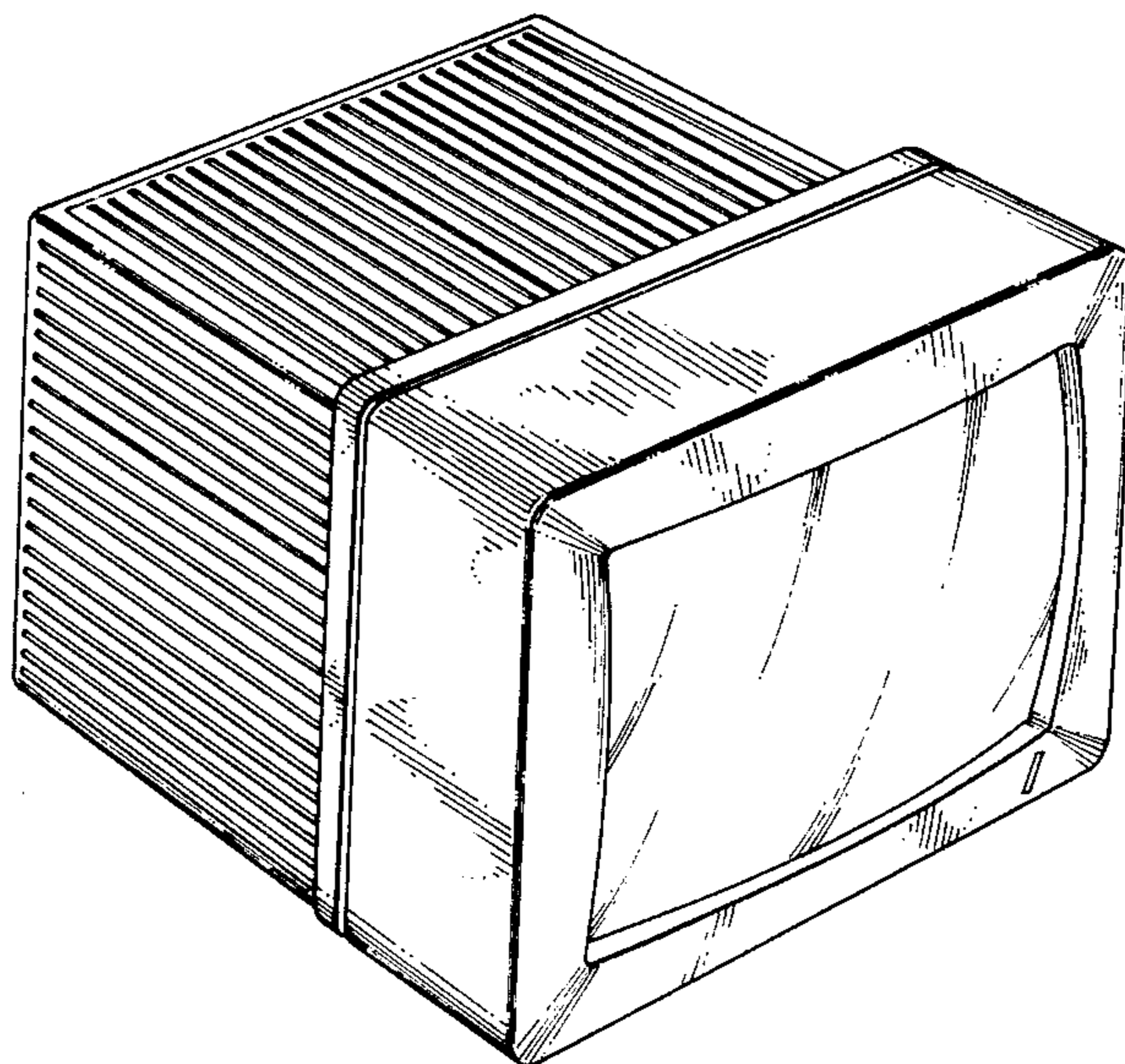
Primary Examiner—Susan J. Lucas
Assistant Examiner—Freda S. Nunn
Attorney, Agent, or Firm—Blakely, Sokoloff, Taylor & Zafman

[57] CLAIM

The ornamental design for a video display for computer, as shown.

DESCRIPTION

FIG. 1 is a top, front, left side perspective view of the video display for computer showing my new design; FIG. 2 is a top plan view thereof; FIG. 3 is a front elevational view thereof; FIG. 4 is a right side elevational view thereof; FIG. 5 is a left side elevational view thereof; FIG. 6 is a back elevational view thereof; FIG. 7 is a bottom plan view thereof.



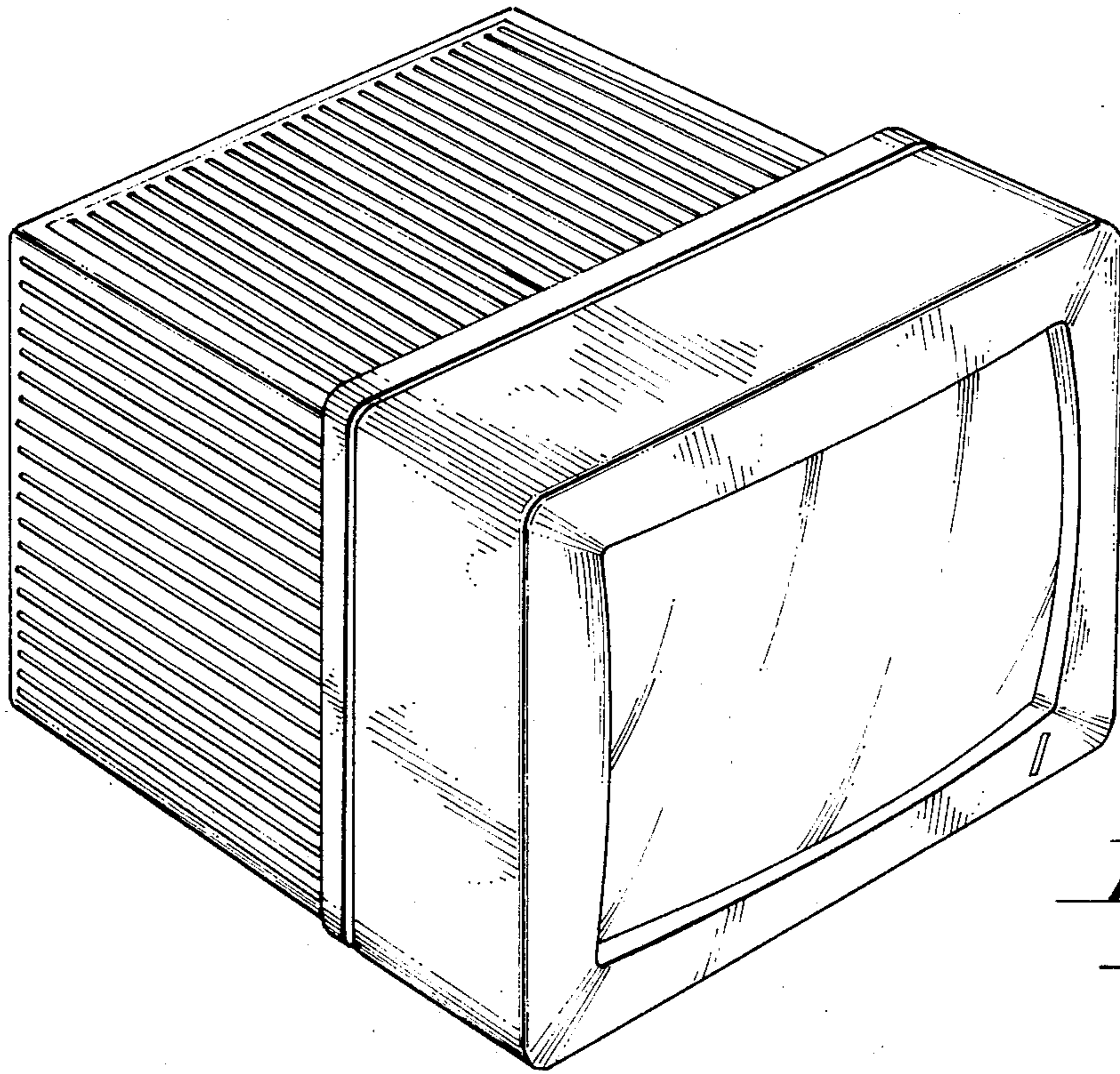


Fig. 1

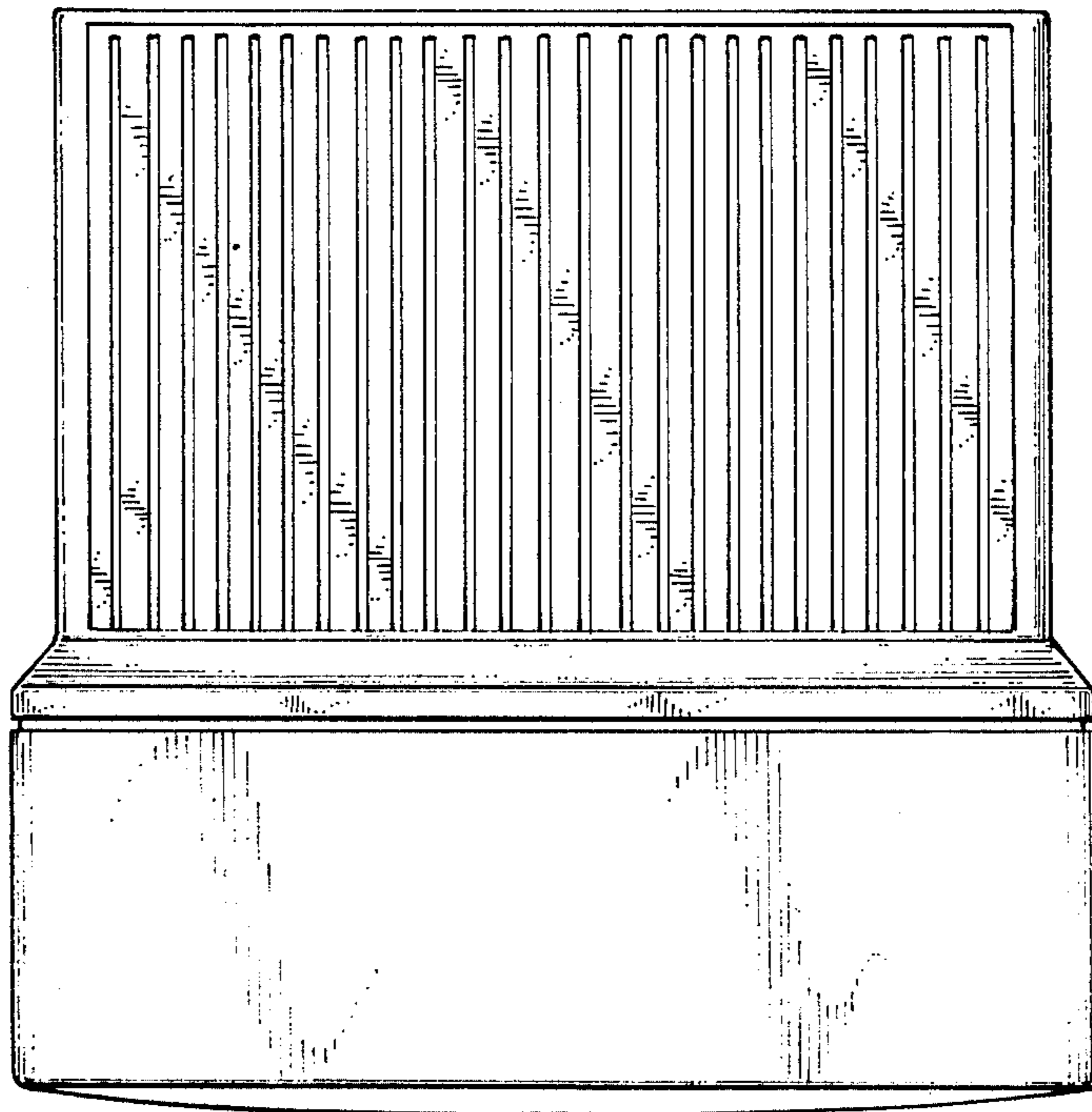


Fig. 2

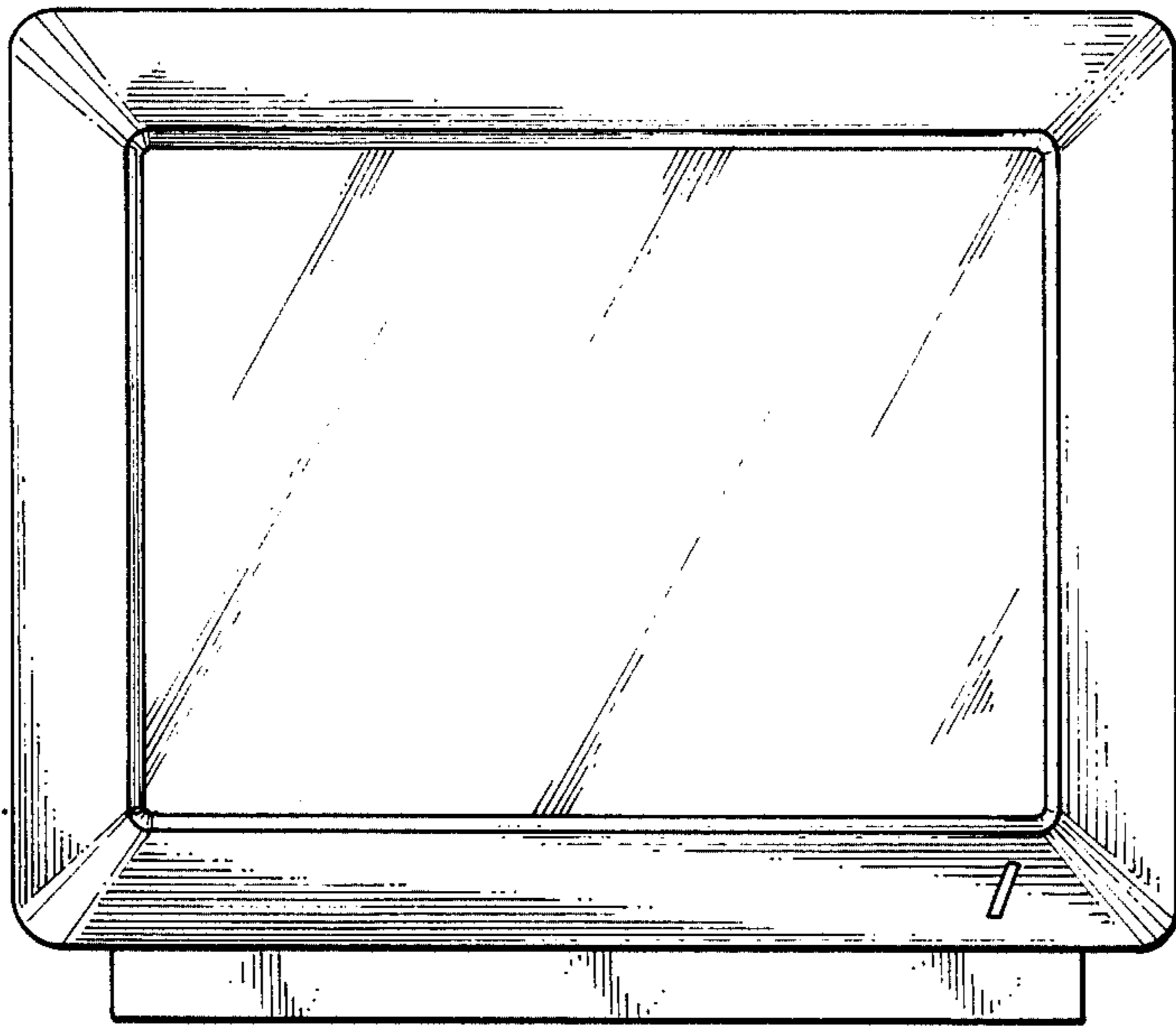


Fig. 3

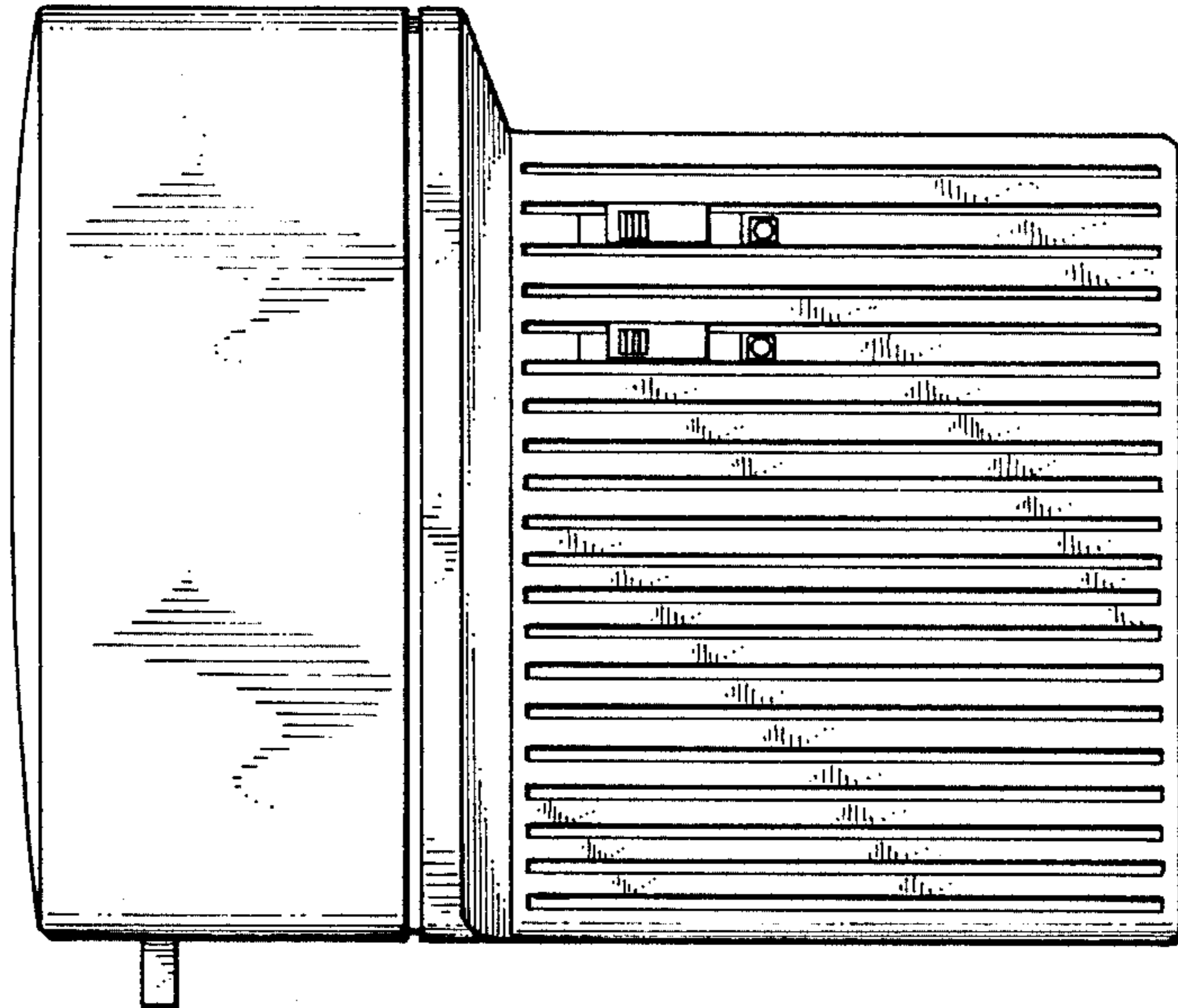
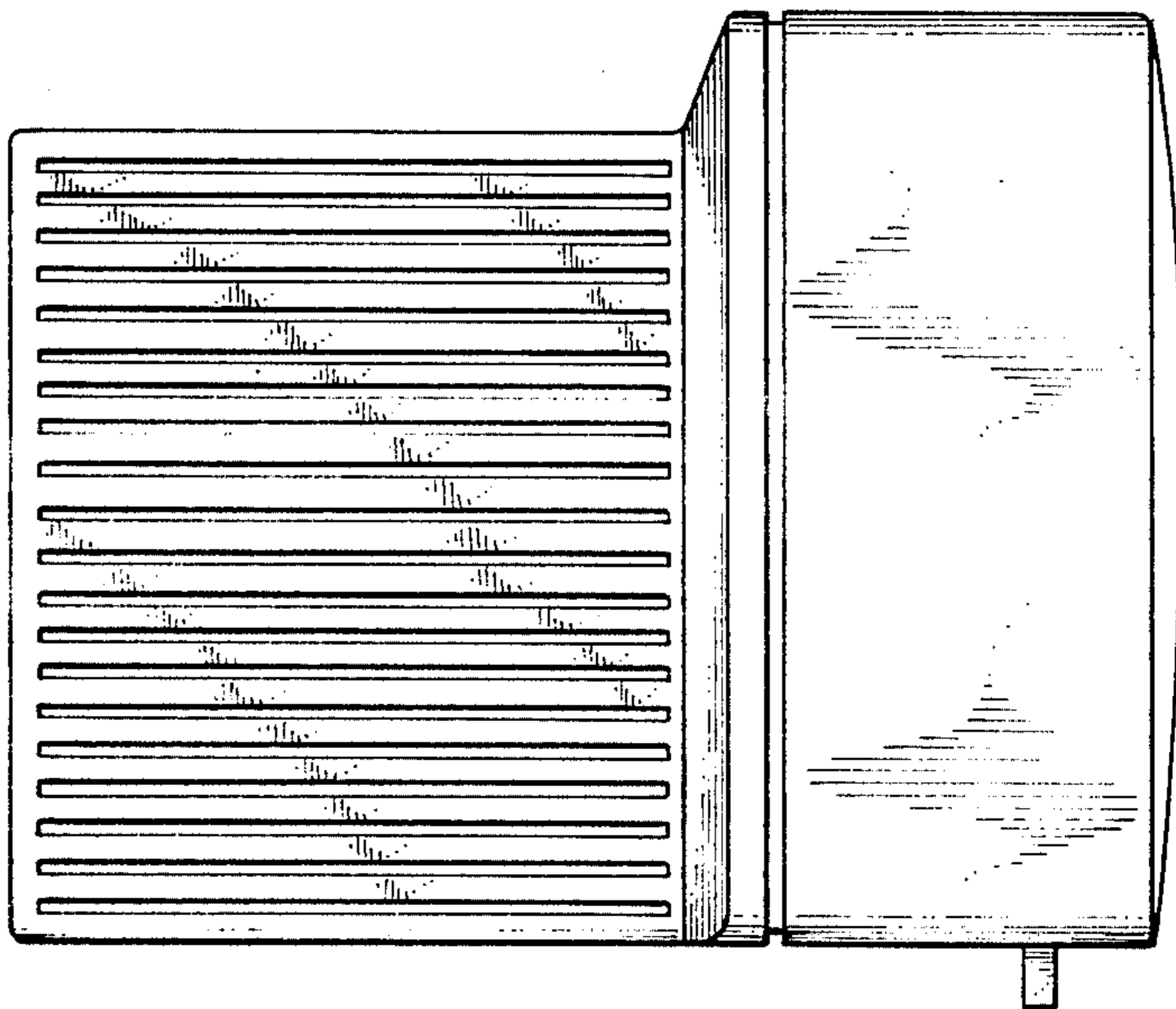


Fig. 4

Fig. 5



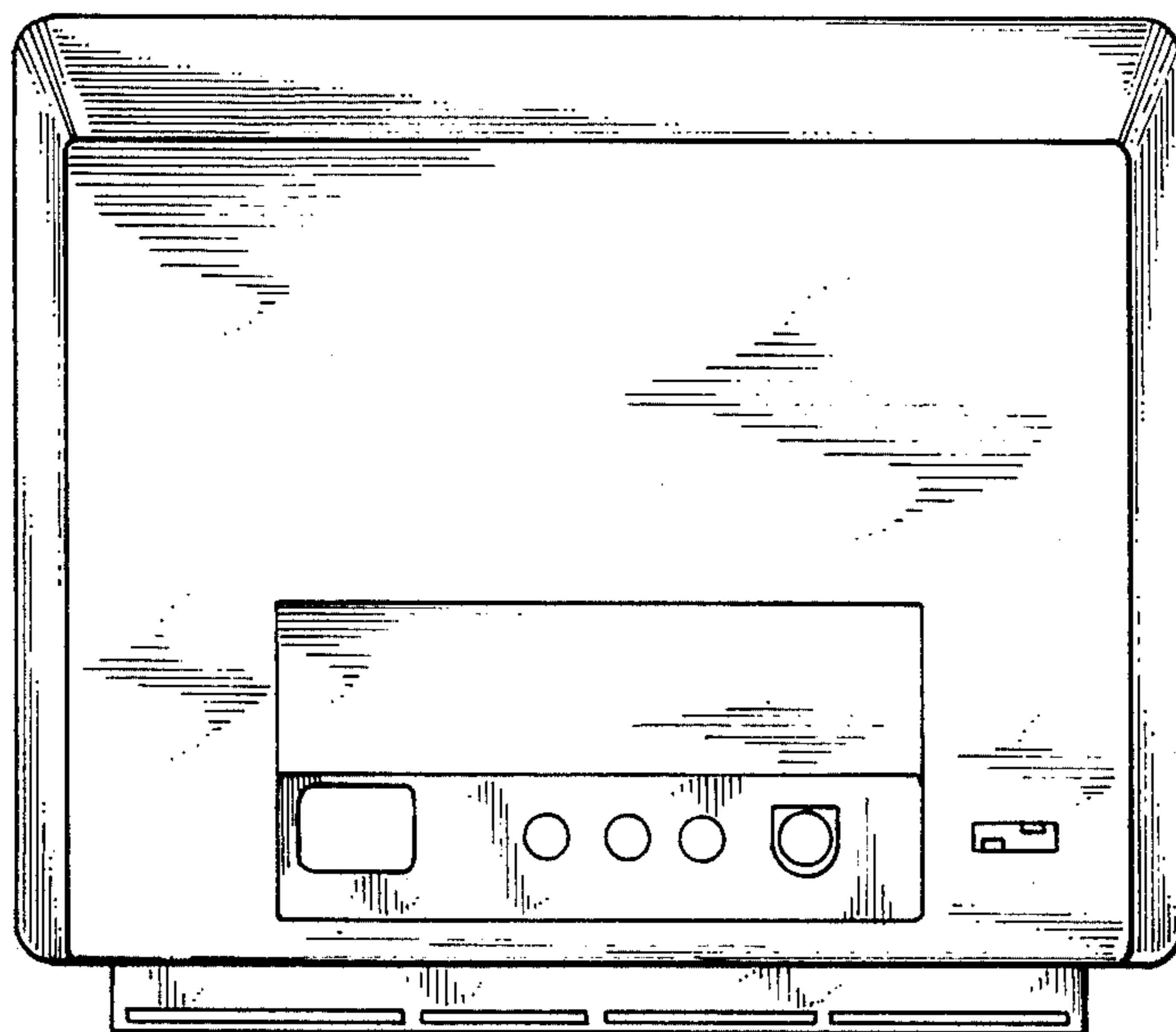


Fig. 6

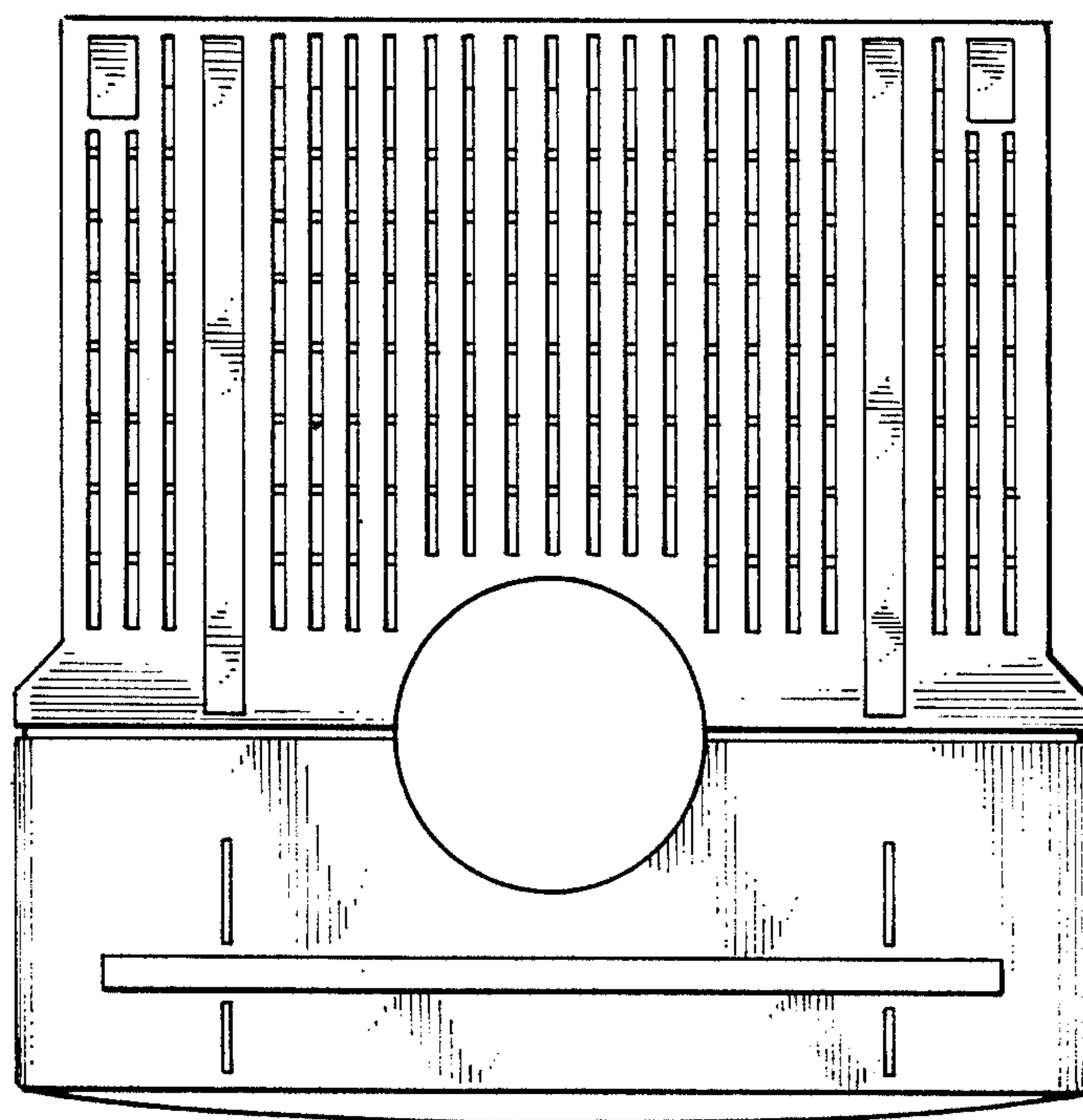


Fig. 7