

[54] LOCKABLE AND REMOVABLE SLIDEIN ASSEMBLY FOR A HARD DISK DRIVE

[76] Inventors: Julius C. Darden, 1733 Calle Artigas, Thousand Oaks, Calif. 91360; Miguel M. L. Praca, 615 Ocean Front Walk, Apt. 203, Venice, Calif. 90291; Philip J. Tomasi, 205 Pepper St., Newbury Park, Calif. 91301

[**] Term: 14 Years

[21] Appl. No.: 103,572

[22] Filed: Oct. 1, 1987

[52] U.S. Cl. D14/109; D14/114

[58] Field of Search D14/100-105, D14/107, 109; D13/40, 41; 360/97-99, 92, 93, 86, 96.05, 96.06, 132, 133, 135, 137; 361/330-332, 334, 335, 337, 338, 348, 380, 381, 384, 408, 415, 390-395; 369/273, 277, 279, 291, 292, 75.1; 346/41, 63; 174/50, 52.1; 206/309, 312, 444; 200/5 A, 5 R, 6 A, 6 R

[56] References Cited

U.S. PATENT DOCUMENTS

3,481,607	12/1969	Jenkins et al.	360/93
3,789,161	1/1974	Mizumoto	360/93 X
3,913,136	10/1975	Kelch et al.	360/96.6
4,344,097	8/1982	Takai	360/93 X
4,352,492	10/1982	Smith	361/415 X
4,479,198	10/1984	Romano et al.	364/708
4,547,835	10/1985	Pansaerts et al.	361/415 X
4,591,934	5/1986	Sims, Jr.	360/93

4,633,350	12/1986	Hanson	369/75.1
4,647,996	3/1987	Shimaoka et al.	360/99.06
4,669,053	5/1987	Krenz	364/708
4,697,702	10/1987	Urayama	360/96.5 X
4,717,982	1/1988	Toreson et al.	364/708
4,725,244	2/1988	Chewning et al.	364/708
4,754,397	6/1988	Variya et al.	369/75.1

OTHER PUBLICATIONS

PC Week-Buyers Guide-Jan. 15, 1985, p. 73, Hard Disk Storage-Kammerman Labs.

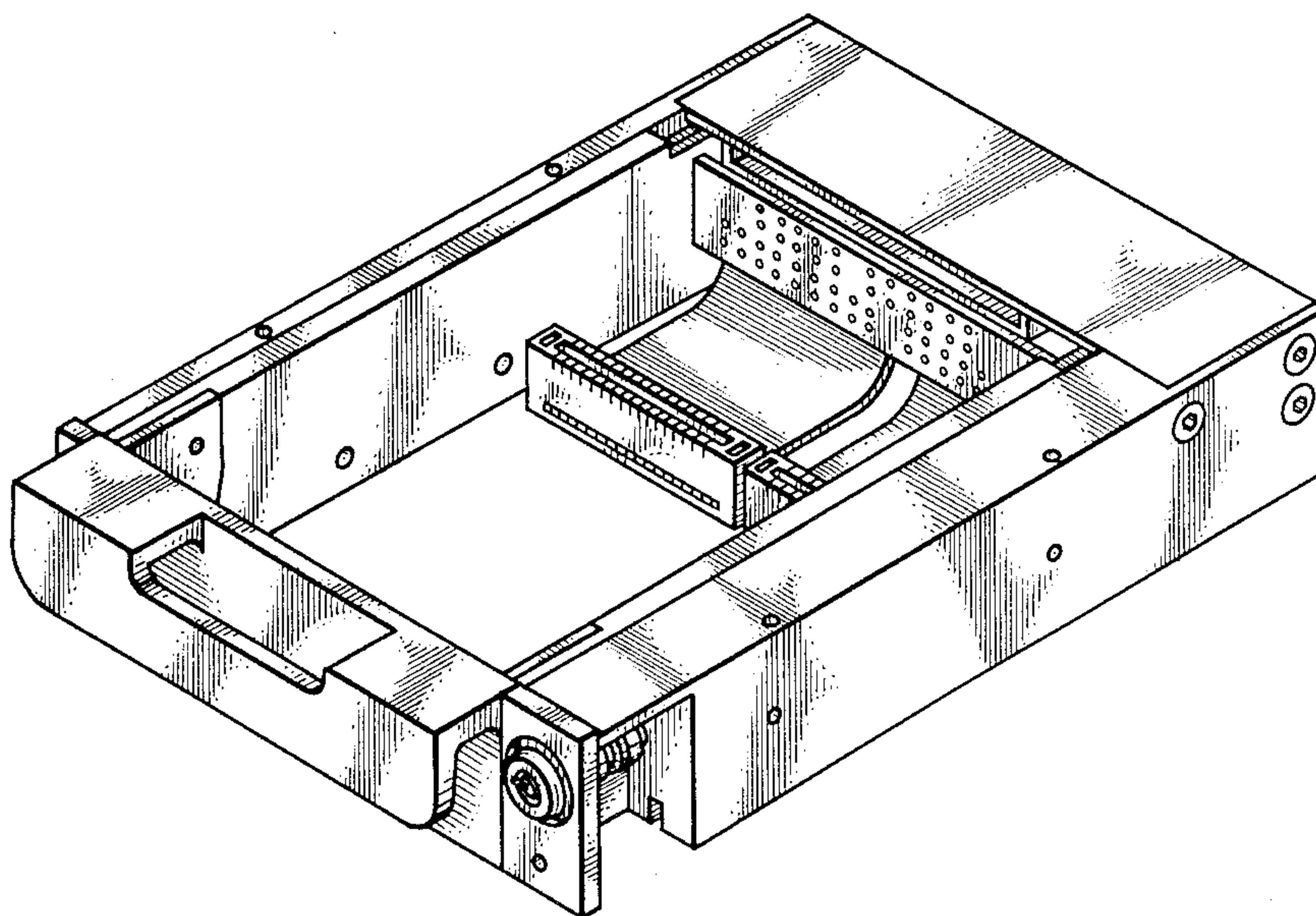
Primary Examiner—Susan J. Lucas
Assistant Examiner—Freda S. Nunn
Attorney, Agent, or Firm—Jack C. Munro

[57] CLAIM

The ornamental design for a lockable and removable slidein assembly for a hard disk drive, as shown and described.

DESCRIPTION

FIG. 1 is a front elevational view of a lockable and removable slidein assembly for a hard disk drive showing my new design; FIG. 2 is a top plan view thereof; FIG. 3 is a right side elevational view thereof; FIG. 4 is a left side elevational view thereof; FIG. 5 is a rear elevational view thereof; and FIG. 6 is a bottom plan view. FIG. 7 is a top, front, right side perspective view thereof. The characteristic features of the design reside solely in the configuration of the front panel.



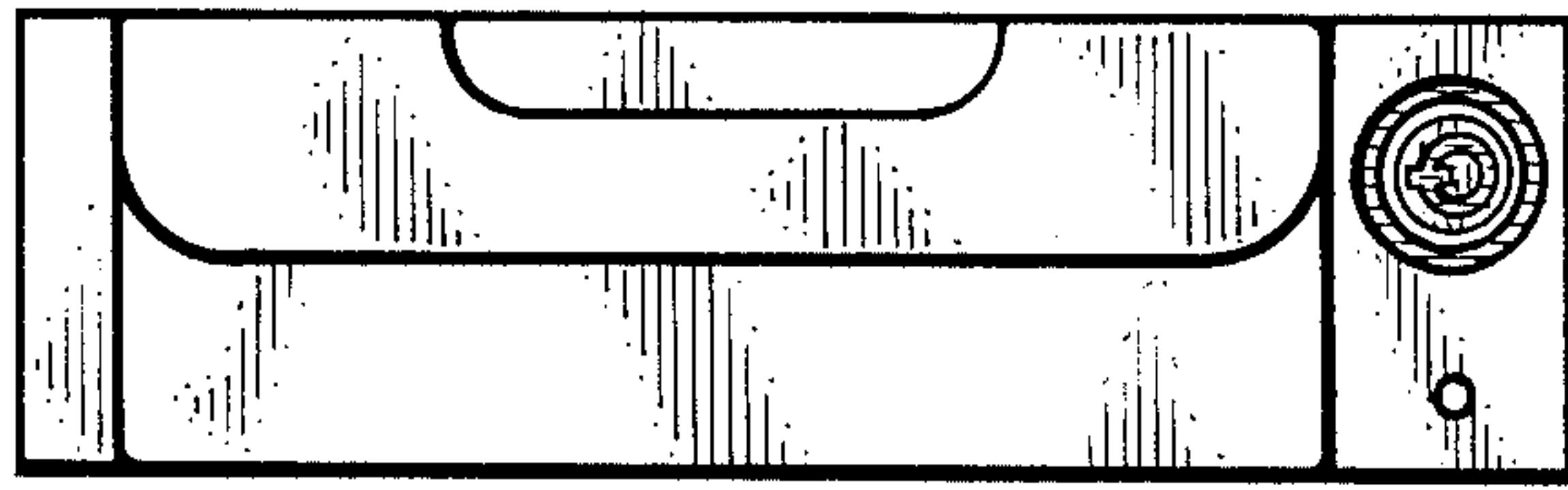


Fig. 1.

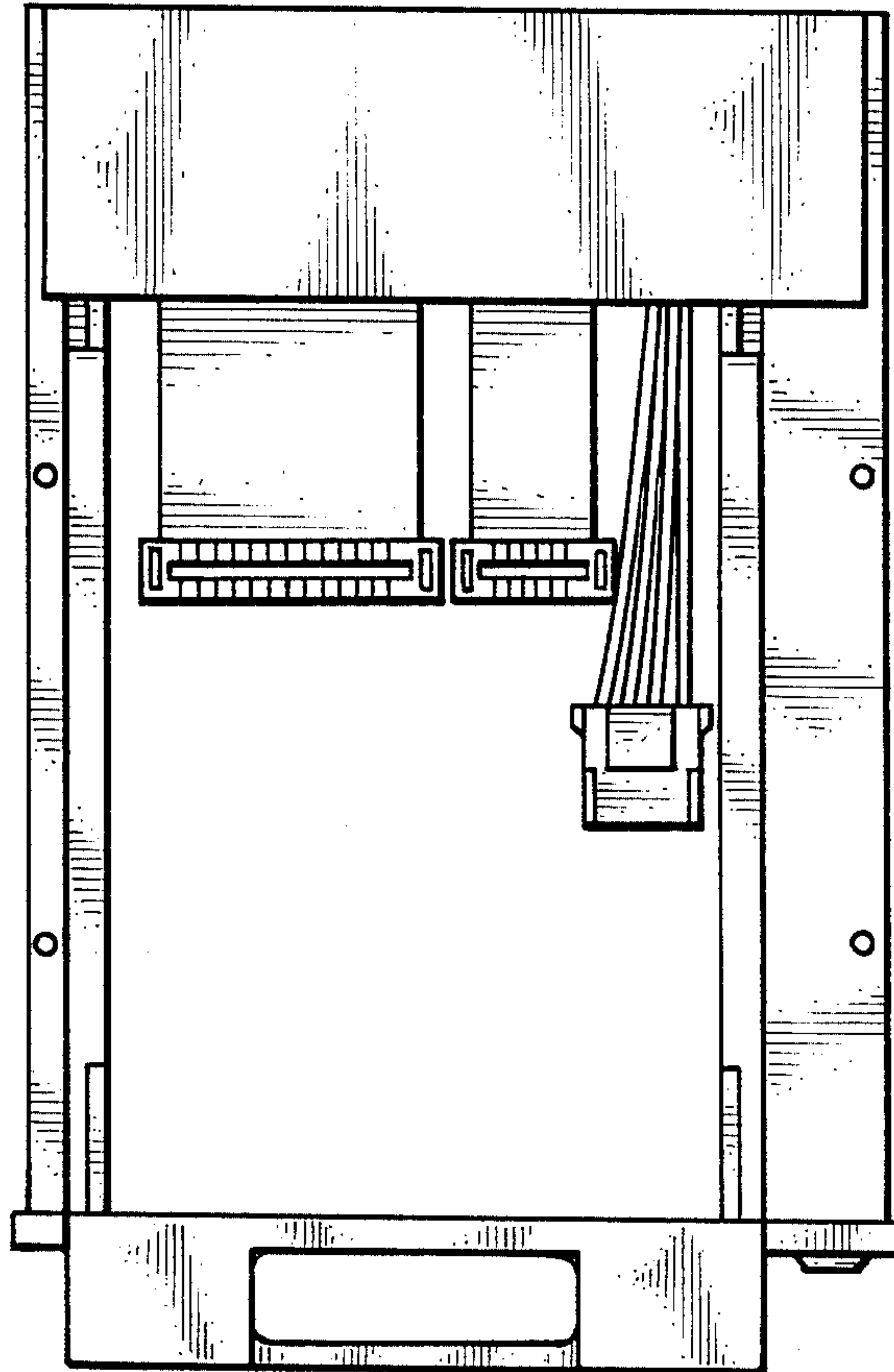


Fig. 2.

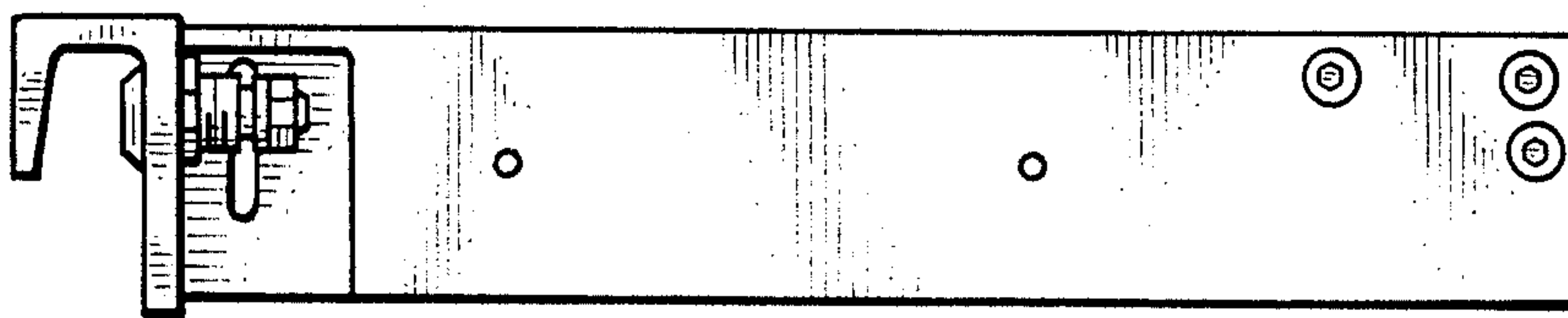


Fig. 3.

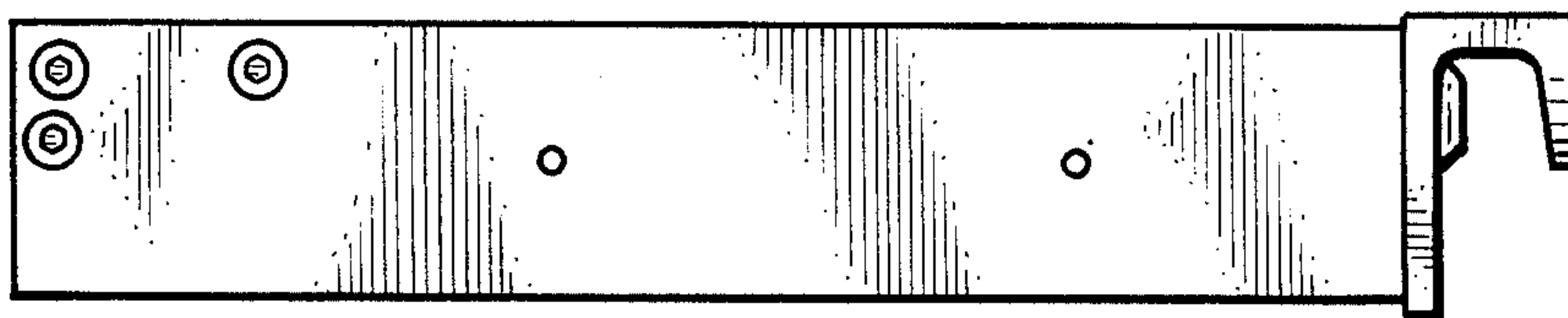


Fig. 4.

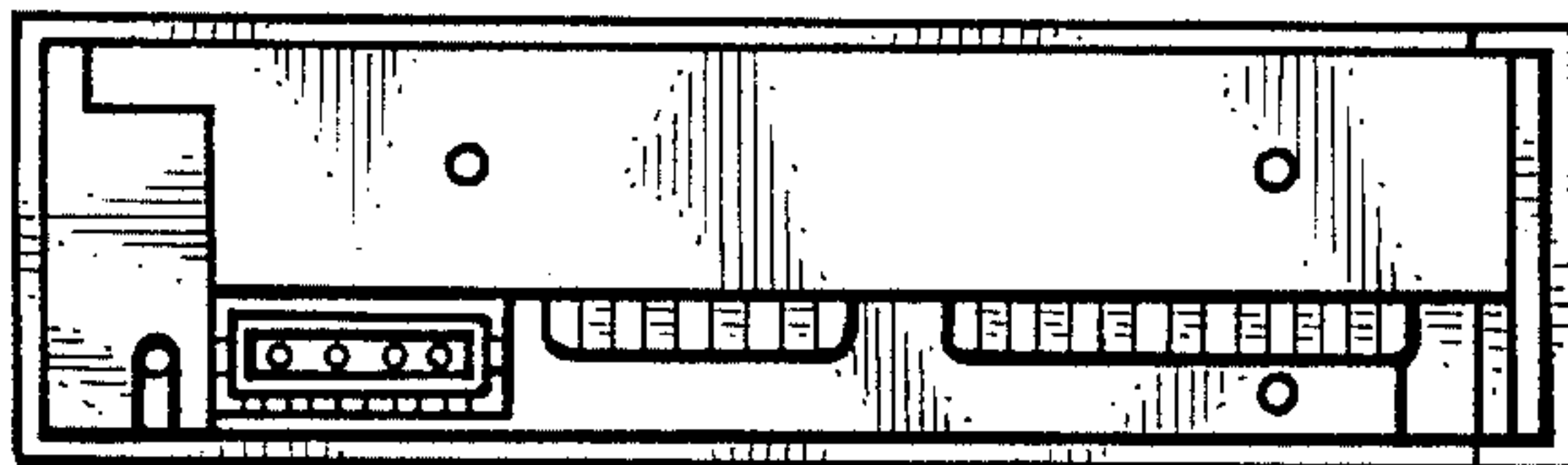


Fig. 5.

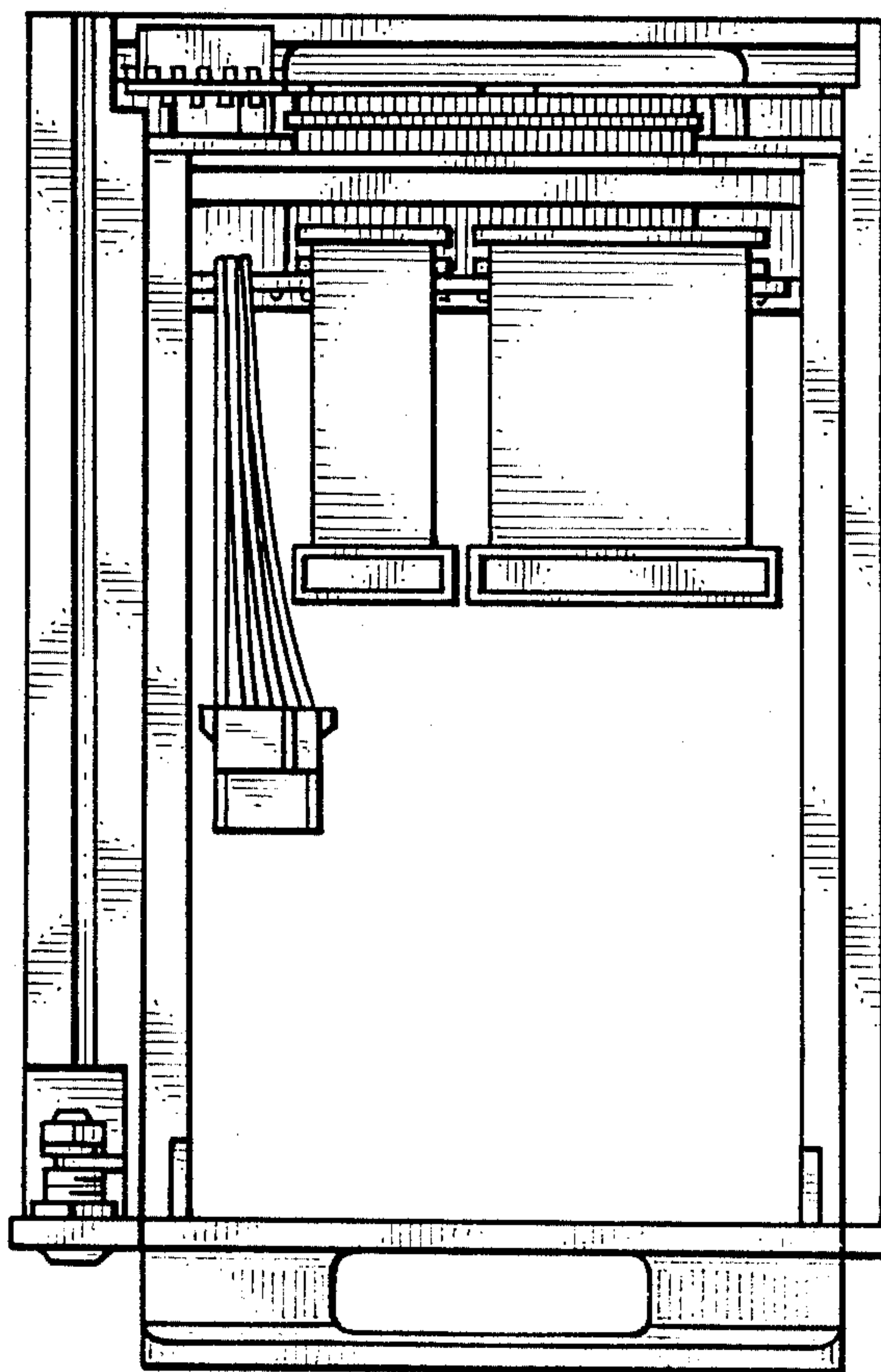


Fig. 6.

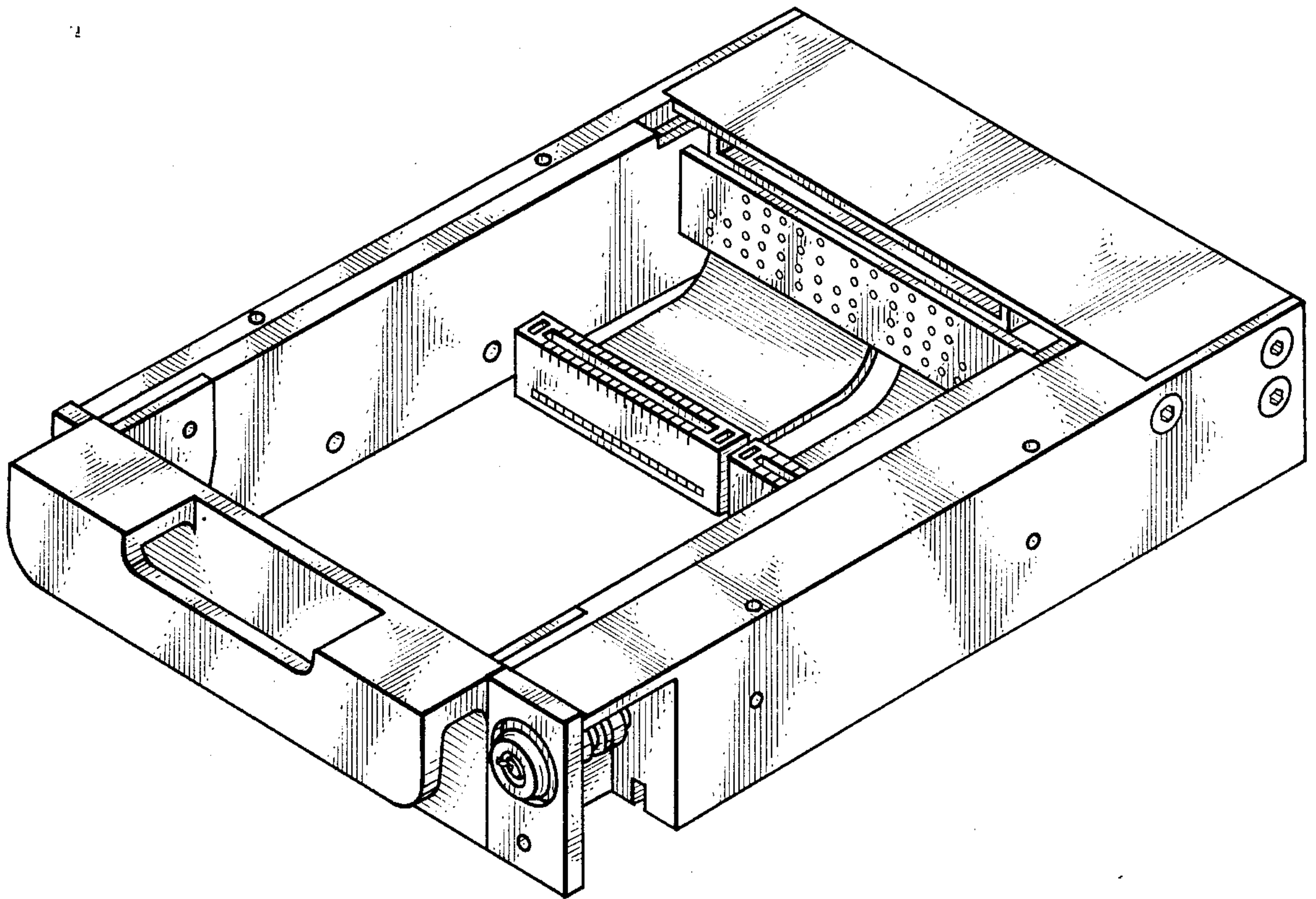


Fig. 7.