

[54] ELECTRONIC COMPUTER

[75] Inventors: Yoshihiko Sugano, Tokyo; Takaharu Andou, Yokohama, both of Japan

[73] Assignee: Kabushiki Kaisha Toshiba, Kanagawa, Japan

[**] Term: 14 Years

[21] Appl. No.: 130,157

[22] Filed: Dec. 8, 1987

[30] Foreign Application Priority Data

Aug. 3, 1987 [JP] Japan 62-31261

[52] U.S. Cl. D14/106

[58] Field of Search D14/100, 102, 101, 104-107, D14/113, 115; D18/1, 7, 11, 12; 235/145 A, 145 R; 340/700, 706, 711, 712; 341/22, 23, 26; 358/249, 254; 364/130, 144, 189, 706-710; 400/472, 477, 479, 485, 486, 489, 496, 676, 677, 682

[56] References Cited

U.S. PATENT DOCUMENTS

- D. 221,002 6/1971 Bachman .
D. 222,472 10/1971 Jacobson .
D. 224,784 7/1972 Sucre et al. .
D. 247,563 3/1978 Jinbo et al. .
D. 254,005 1/1980 Zadock et al. .
D. 258,957 4/1981 Bevilacqua et al. .
D. 275,102 8/1984 MacConnel .
D. 280,511 9/1985 Moggridge et al. .
D. 282,843 3/1986 Kurihara et al. .
D. 283,511 4/1986 Dunn .
D. 284,193 6/1986 Marshall .
D. 284,474 7/1986 Sawada .
D. 287,969 1/1987 Kusanagi .
D. 288,566 3/1987 Chin et al. .
D. 289,177 4/1987 Sawada .
D. 289,763 5/1987 Fujii et al. .
D. 290,256 6/1987 Sapper et al. .
D. 290,845 7/1987 Yubisui et al. .
D. 291,442 8/1987 Kurihara .
D. 293,677 1/1988 Hara et al. .
D. 293,678 1/1988 Sawatani et al. .
D. 294,029 2/1988 Nishiyama et al. .
D. 294,831 3/1988 Hara et al. .

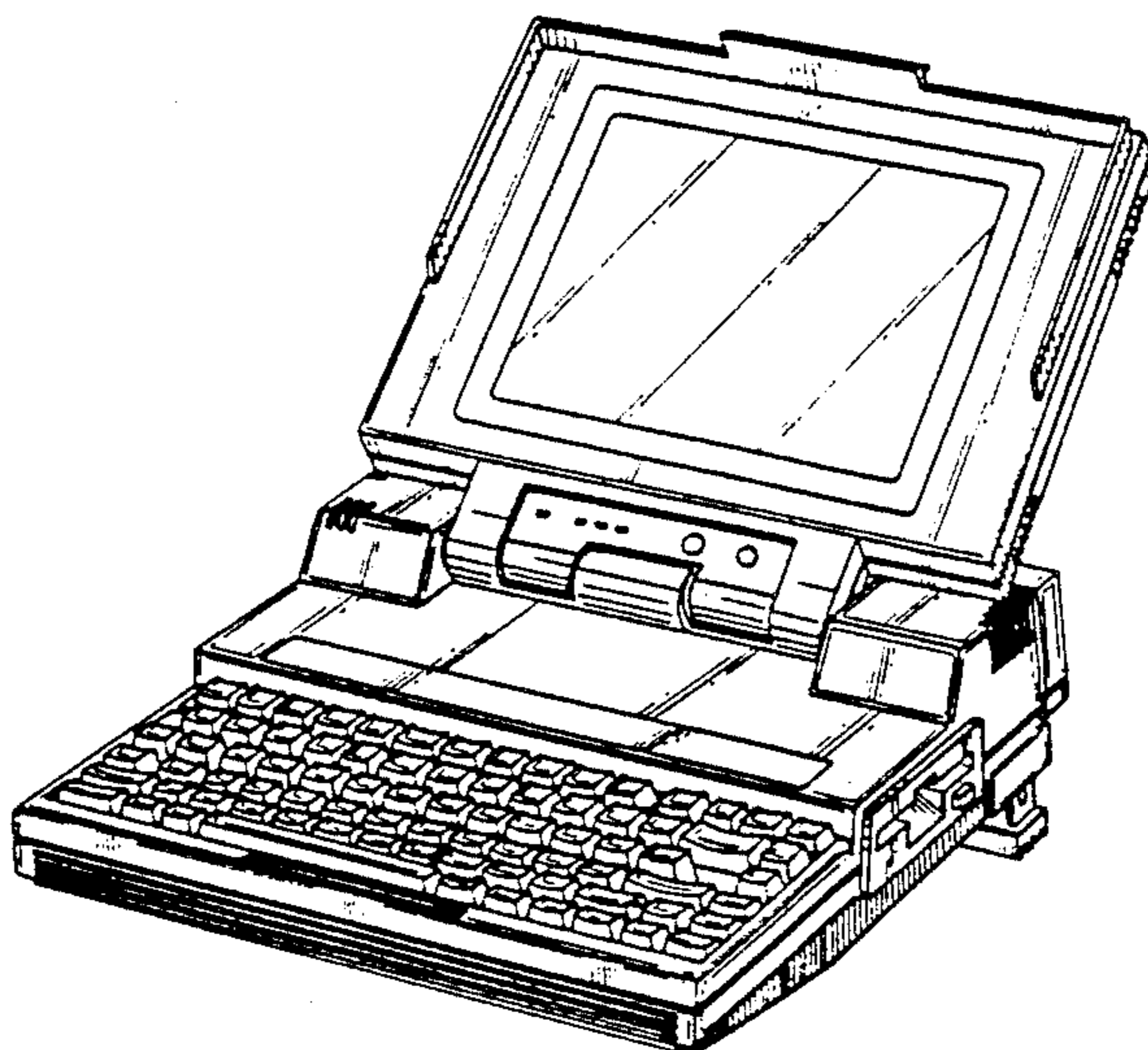
- D. 295,176 4/1988 Nishimoto et al. .
D. 299,031 12/1988 Sugano D14/106

FOREIGN PATENT DOCUMENTS

- 47-14961 5/1972 Japan .
499866 4/1979 Japan .
59-9666 4/1983 Japan .
650470 5/1985 Japan .
664175 10/1985 Japan .
684172 8/1986 Japan .
685000 8/1986 Japan .
685063 8/1986 Japan .
685121 8/1986 Japan .
685733 8/1986 Japan .
686374 9/1986 Japan .
686381 9/1986 Japan .
686386 9/1986 Japan .
686706 9/1986 Japan .
695931 12/1986 Japan .
696188 1/1987 Japan .
697328 1/1987 Japan .
67297 2/1987 Rep. of Korea .
3000416 5/1986 Sweden .
85-2546 1/1987 Sweden .
85-2547 1/1987 Sweden .

OTHER PUBLICATIONS

- Sharp, "Character Display", Article 05/76.
Fanuc SystemP-Model 07/83.
Mitsubishi mp 286 L Laptop Personal Computer Brochure.
Moebel Interior Design 01/84.
Grid Brochure.
Micro Office Systems, "Road Runner" 02/84.
Dauphin Laptop Computer Brochure.
Demus 645 02/84.
MicroDIRECT Brochure.
Design 423 05/84.
SupersPort Brochure.
Epson HC-88 07/84.
Panasonic KX-D4930 Advertisement.
Dulmont Model Magnum 08/84.
Ampere WS-1 Advertisement.
Apple Computer 10/84.
Tandy 200 Advertisement.
Texas Instruments Pro-Lite 11/84.
NEC Starlet PC-8401A Advertisement.
Tandy 200 1985.



Schneider, Multivision 300SLC Catalog.
General Corporation 4400 01/85.
Victor Technologies, V 286 P Catalog.
Drawing J60007802 02/85.
GRID Computer Catalogue dated, Sep. 24, 1985.
Aval TM 20 03/85.
FUJITU Computer Catalogue, dated, Nov., 1984.
C & D News 03/85.
Hewlett-Packard Computer Advertisement, dated,
May 18, 1984.
Hewlett-Packard HP110 04/85.
Sharp PC5000 04/85.
Data General One Advertisement 05/85.
Toshiba T1100 Plus 07/85.
Minato Electronics MODS-5000 08/85.
Hewlett-Packard Portable Plus 12/85.
Apple IIC 12/85.
Fuji Line Motor Monitor FLM 700 01/86.
MRD Advertisement 03/84.
Gavilan Mobile Computer Brochure 04/84.
Hewlett-Packard Advertisement 06/84.
Hitachi Advertisement 09/84.
Sharp PC-5000 Brochure 09/84.
TI Software Journal, Pro Lite TM 11/84.
IS-11c Advertisement 11/84.
Dulmont Magnum Article in Portable Computer 11/84.
IBM Advertisement 12/84.
AVAL TM Advertisement 02/85.
NEC Starlet PC-8401A Brochure 03/85.
Data General One Advertisement 09/84.
Fujitsu FM16 TL Brochure 05/85.
Data General One Brochure 05/85.
FBS Advertisement 10/85.
PC-816F Advertisement 05/86.
Zenith Data Systems NEWSDATE Newsletter 06/86.

Tandy 600 Advertisement 07/86.
Ricoh JP70D Brochure 09/86.
Article re IBM Portable Personal Computer 10/86.
NEC PC-98LT Advertisement 10/86.
Yaskawa P-T50 Advertisement, 11/86.
Yaskawa Memocon®-SC GL20 Advertisement, 03/87.
TI Advertisement in Telephony 04/87.
Data General One Model 2J Brochure 5/87.
Ricoh Mr. Mytool LX Advertisement 7/87.
Gavilan Mobile Computer Brochure.
Olivetti Personal Computer M15 Brochure.
Epson HC-88, HC80 Brochure.
Epson PX-8 Personal Computer Brochure.

Primary Examiner—Susan J. Lucas
Assistant Examiner—Freda S. Nunn
Attorney, Agent, or Firm—Banner, Birch, McKie &
Beckett

[57]

CLAIM

The ornamental design for an electronic computer as shown and described.

DESCRIPTION

FIG. 1 is a front, top and right side perspective view of an electronic computer showing our new design, FIG. 2 is a top plan view thereof, FIG. 3 is a left side elevational view thereof, FIG. 4 is a rear elevational view thereof, FIG. 5 is a bottom plan view thereof, FIG. 6 is a top plan view thereof, showing the display panel in closing position and supporting leg in retracting position, FIG. 7 is a right side elevational view thereof also showing the display panel in closing position and supporting leg in retracting position.

FIG.2

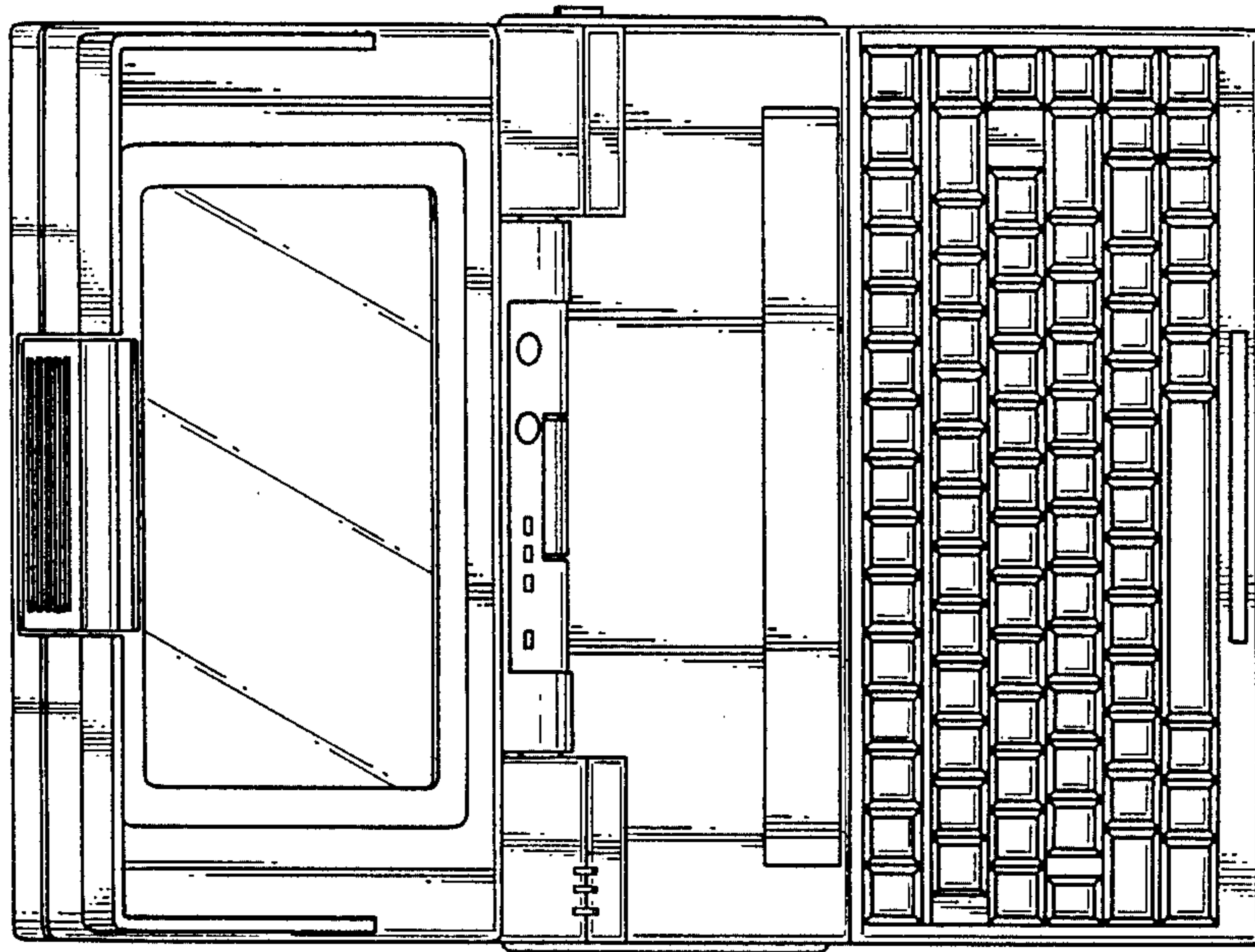
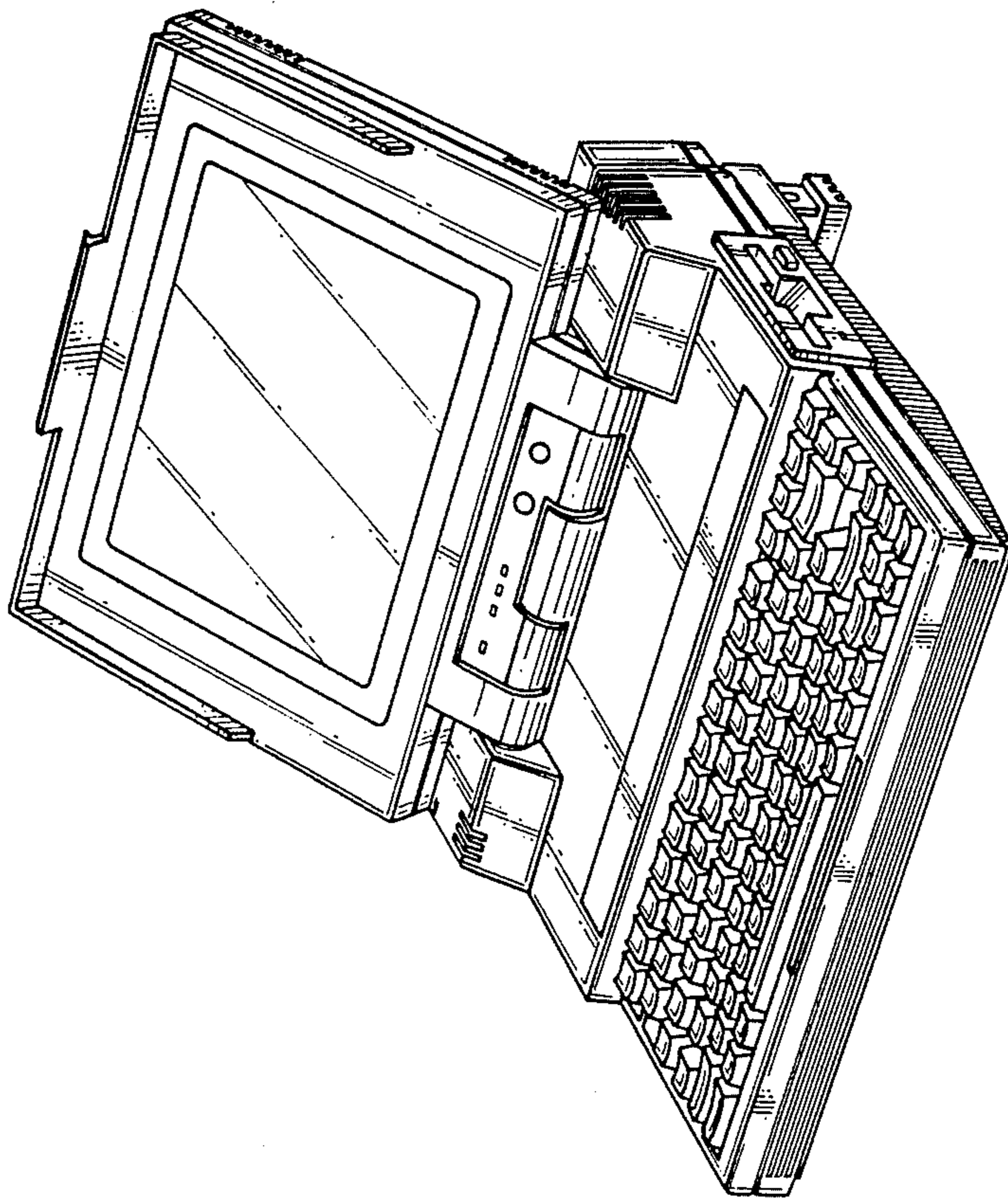


FIG.1



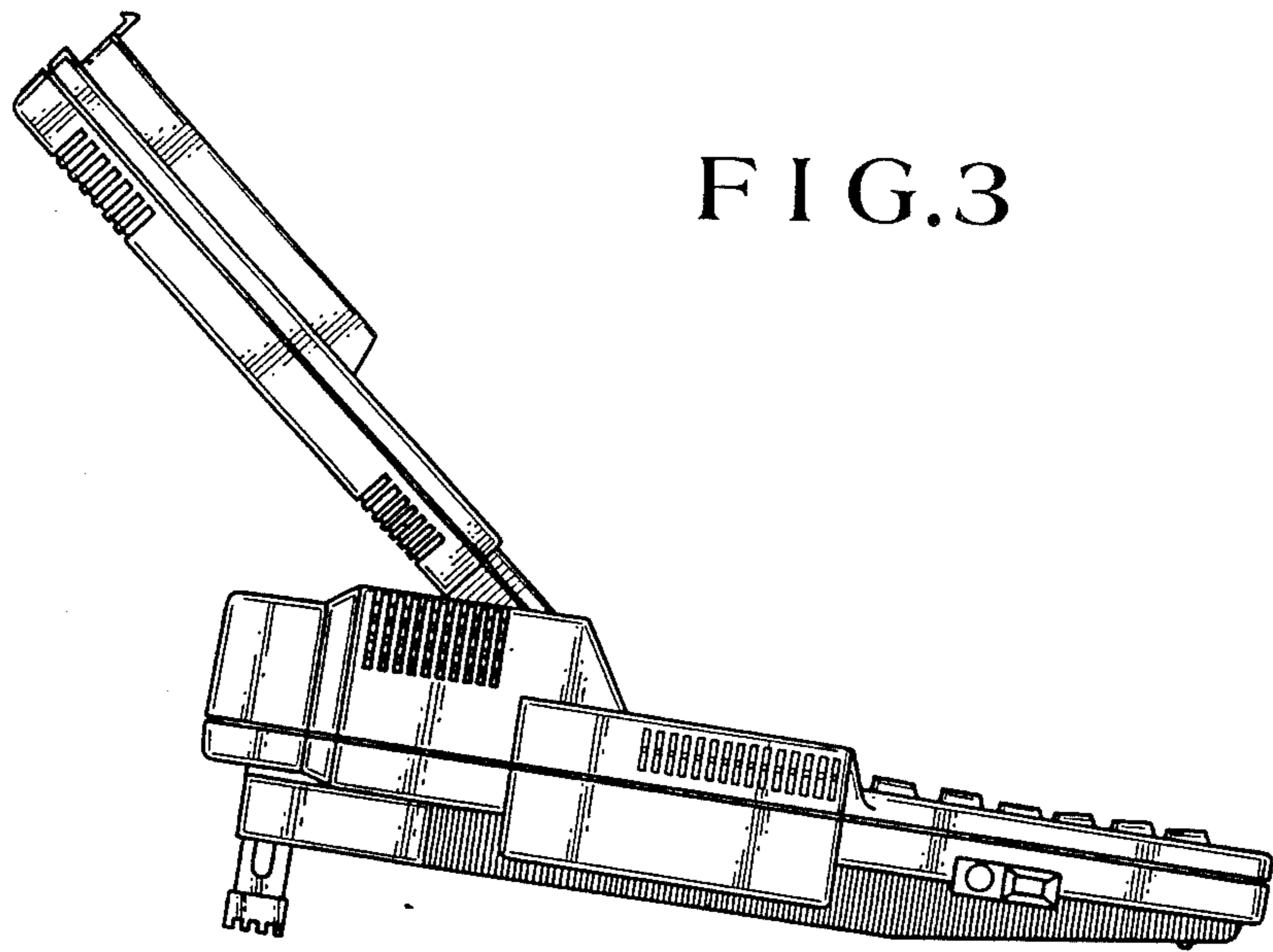


FIG. 4

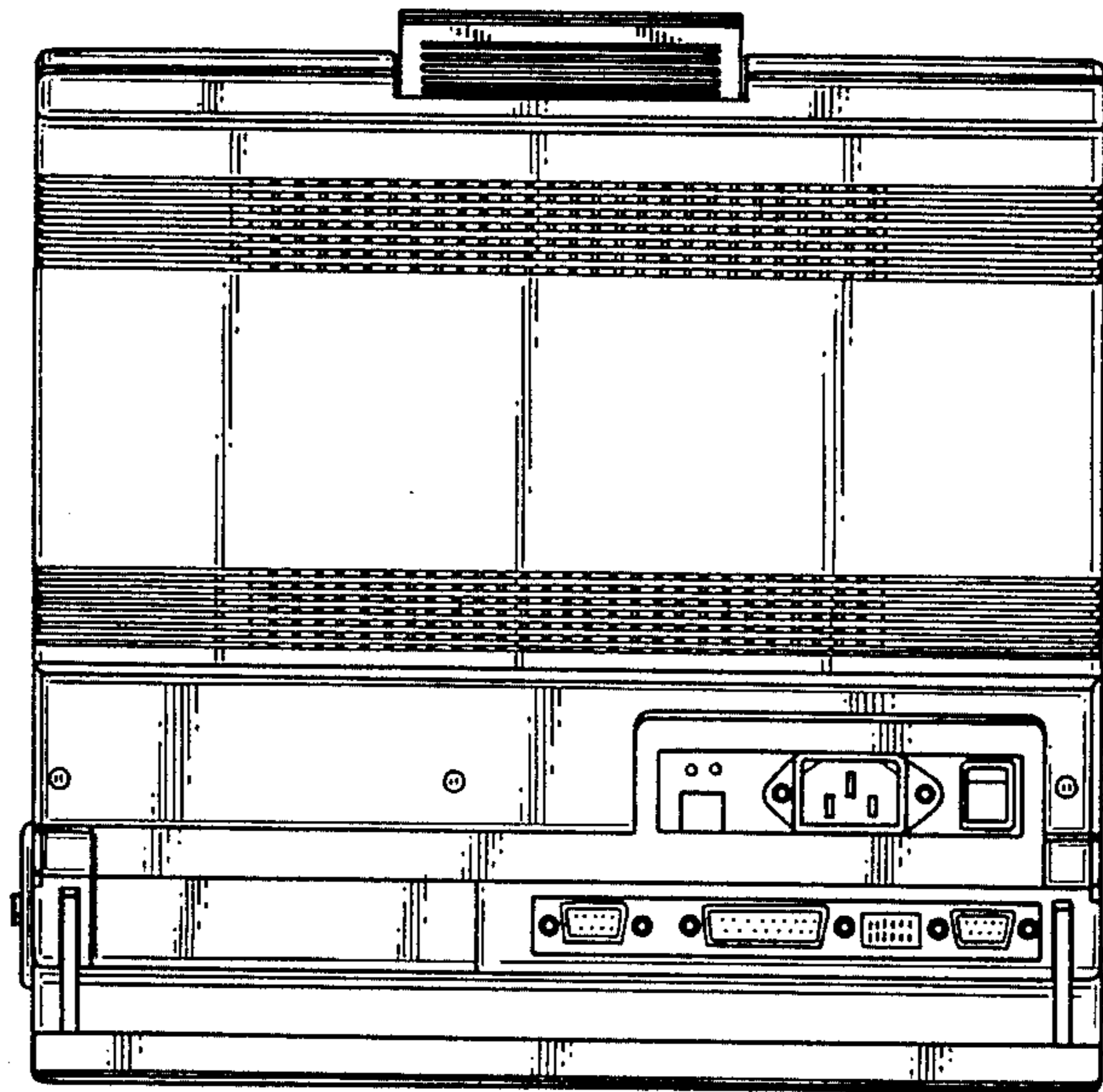


FIG. 5

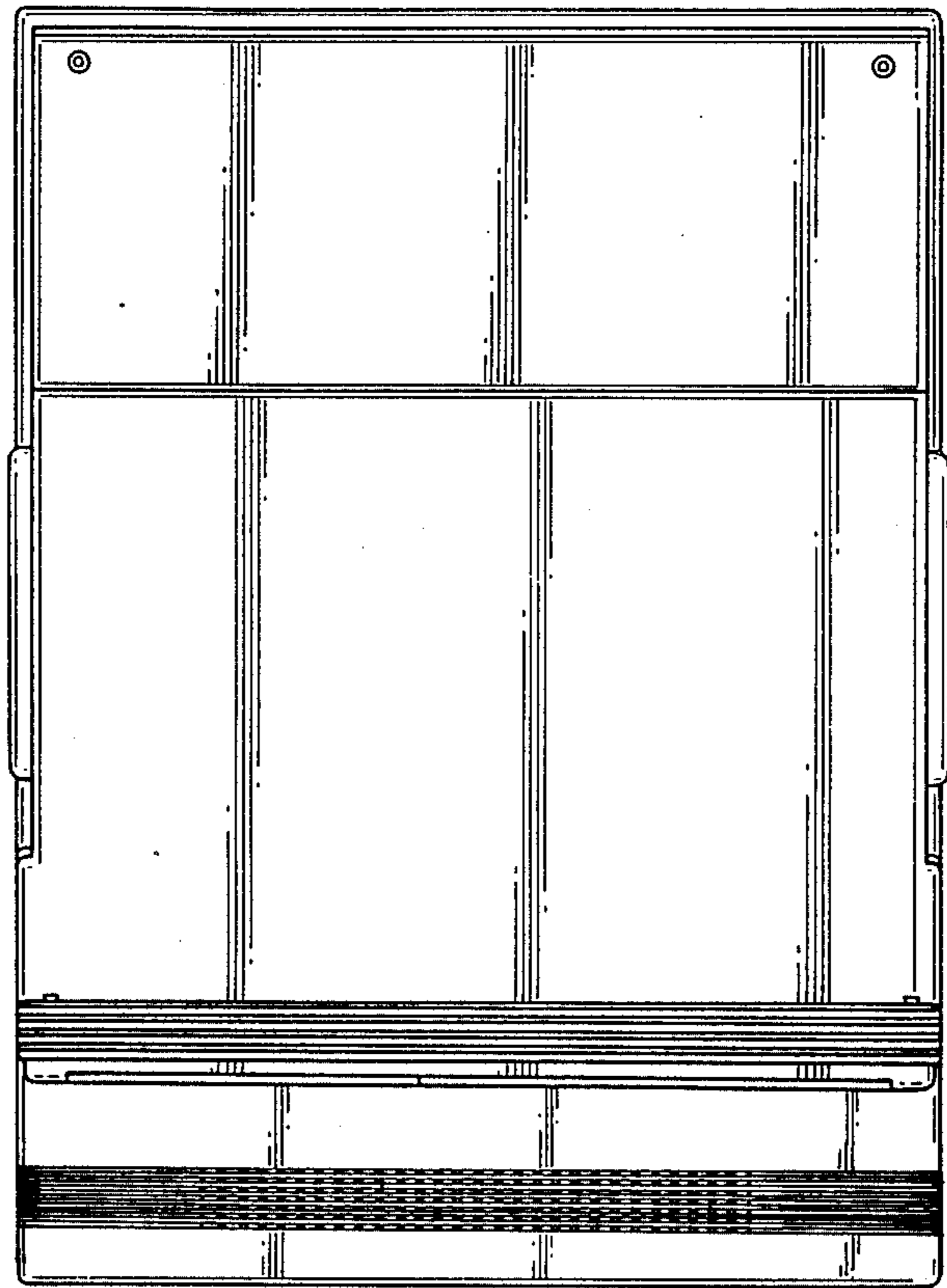


FIG. 6

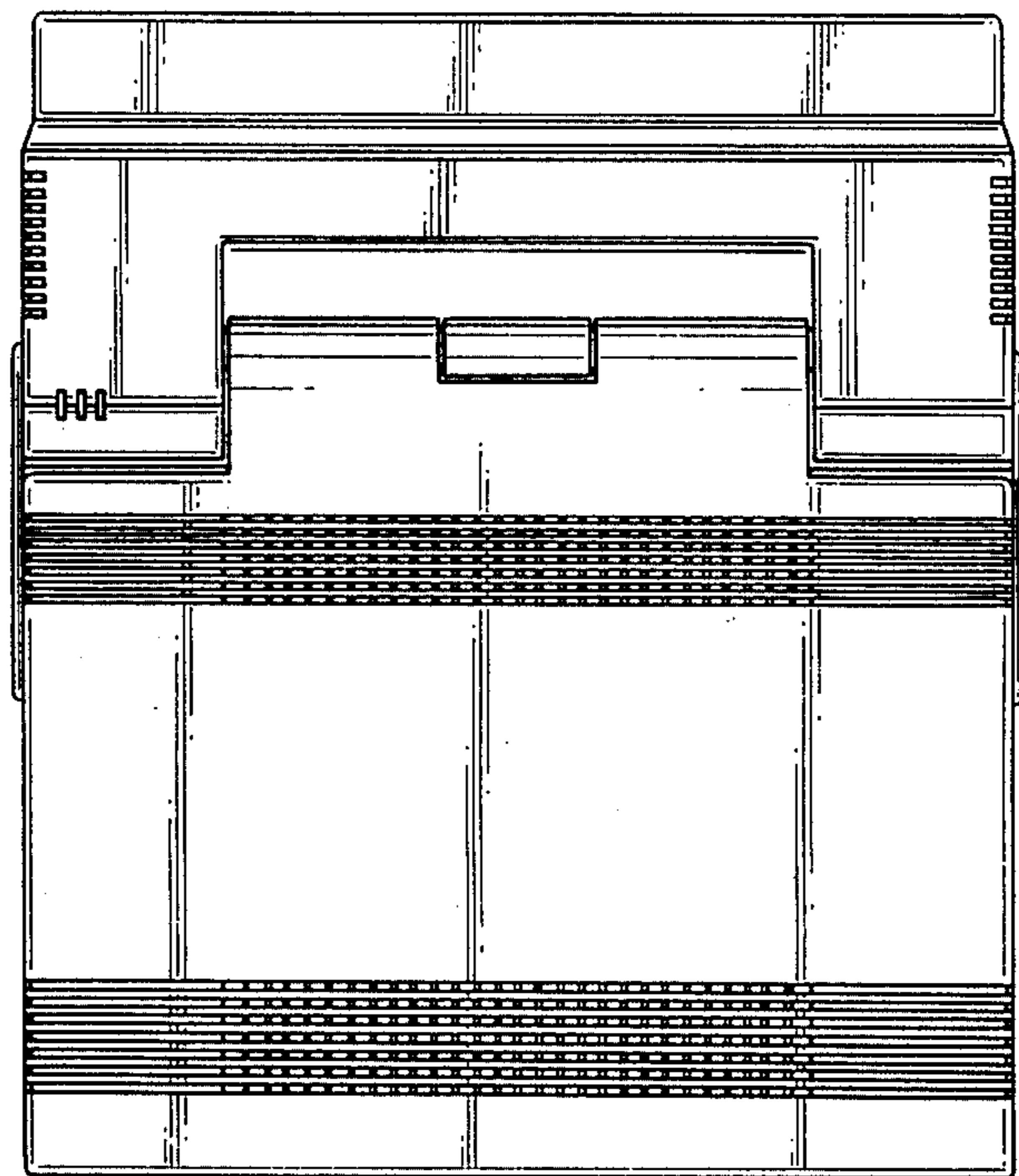


FIG. 7

