

[54] CHRISTMAS TREE STAND

[76] Inventor: Wilson P. Moriarty, P.O. Box 377, Atchison, Kans. 66002

[**] Term: 14 Years

[21] Appl. No.: 216,995

[22] Filed: Jul. 11, 1988

[52] U.S. Cl. D11/130.1

[58] Field of Search D11/125, 128, 129, 130, D11/130.1; 248/519, 523-525, 527-529; 47/40.5; 428/7-9

2,854,203 9/1958 Gruhe 248/524
3,591,114 7/1971 Beatty 47/40.5
4,496,129 1/1985 Waterman et al. 47/40.5

Primary Examiner—B. J. Bullock
Assistant Examiner—Dominic Simone
Attorney, Agent, or Firm—D. A. N. Chase; Joan Optican Herman

[57] CLAIM

The ornamental design for a Christmas tree stand, as shown and described.

DESCRIPTION

FIG. 1 is a perspective view of the Christmas tree stand showing my new design;

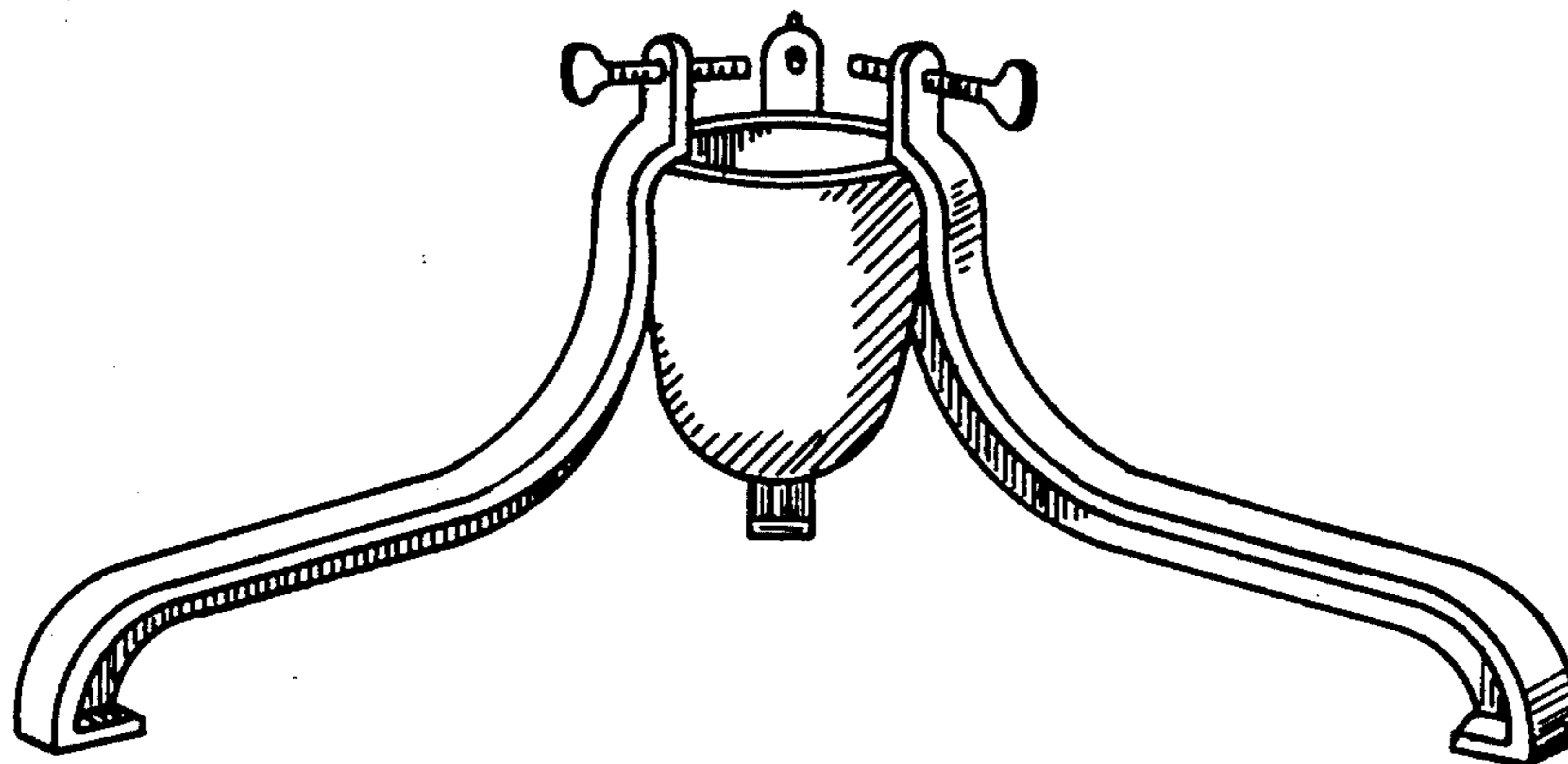
FIG. 2 is an elevational view of the Christmas tree stand on an enlarged scale, the view of the stand being identical at each 120° rotation thereof about a central vertical axis;

FIG. 3 is a top plan view thereof; and
FIG. 4 is a bottom plan view thereof.

[56] References Cited

U.S. PATENT DOCUMENTS

| | | | | |
|------------|---------|----------------|-------|-----------|
| D. 139,238 | 10/1944 | Funekes | | D11/130.1 |
| D. 165,928 | 2/1952 | Parucki et al. | | D11/130.1 |
| D. 166,892 | 5/1952 | Vigna | | D11/130.1 |
| D. 168,379 | 12/1952 | Scanlund | | D11/130.1 |
| D. 221,969 | 9/1971 | Vries | | D11/130.1 |
| 2,652,217 | 9/1953 | Schulz | | D11/130 |



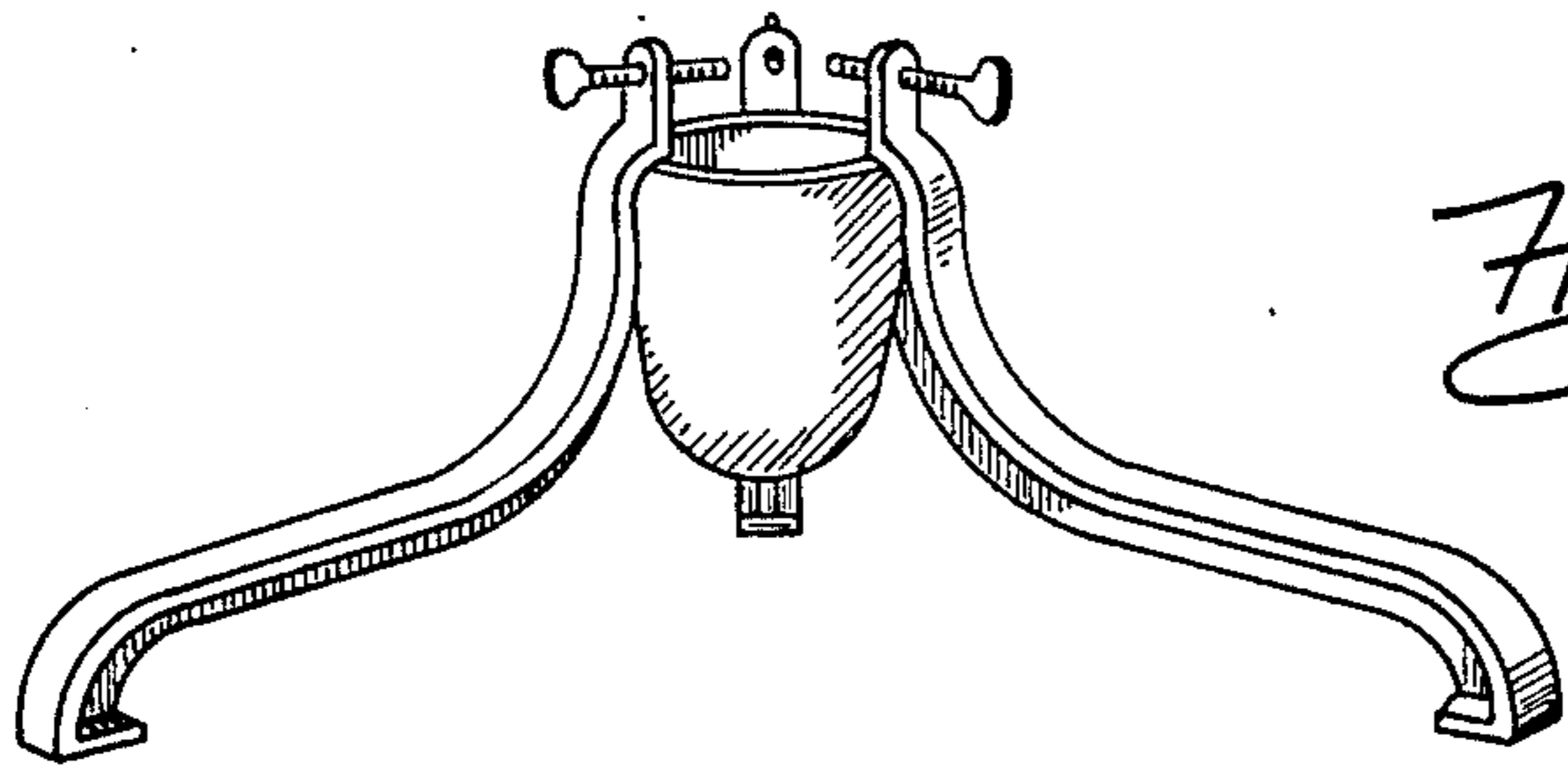


Fig. 1

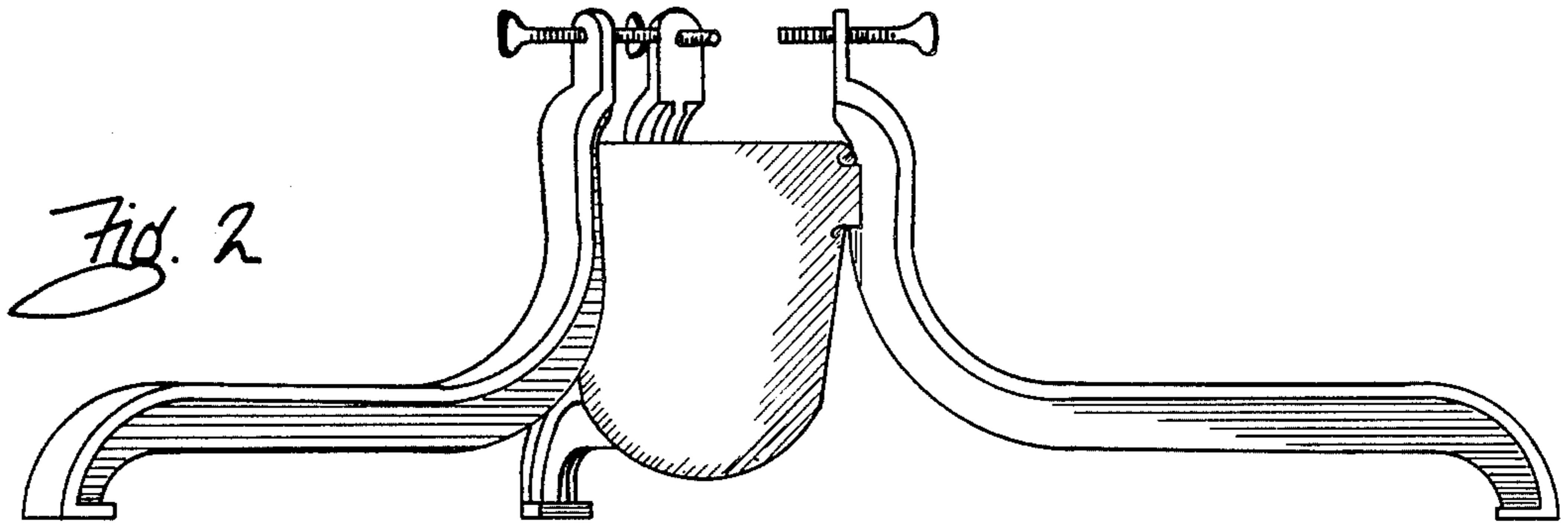


Fig. 2

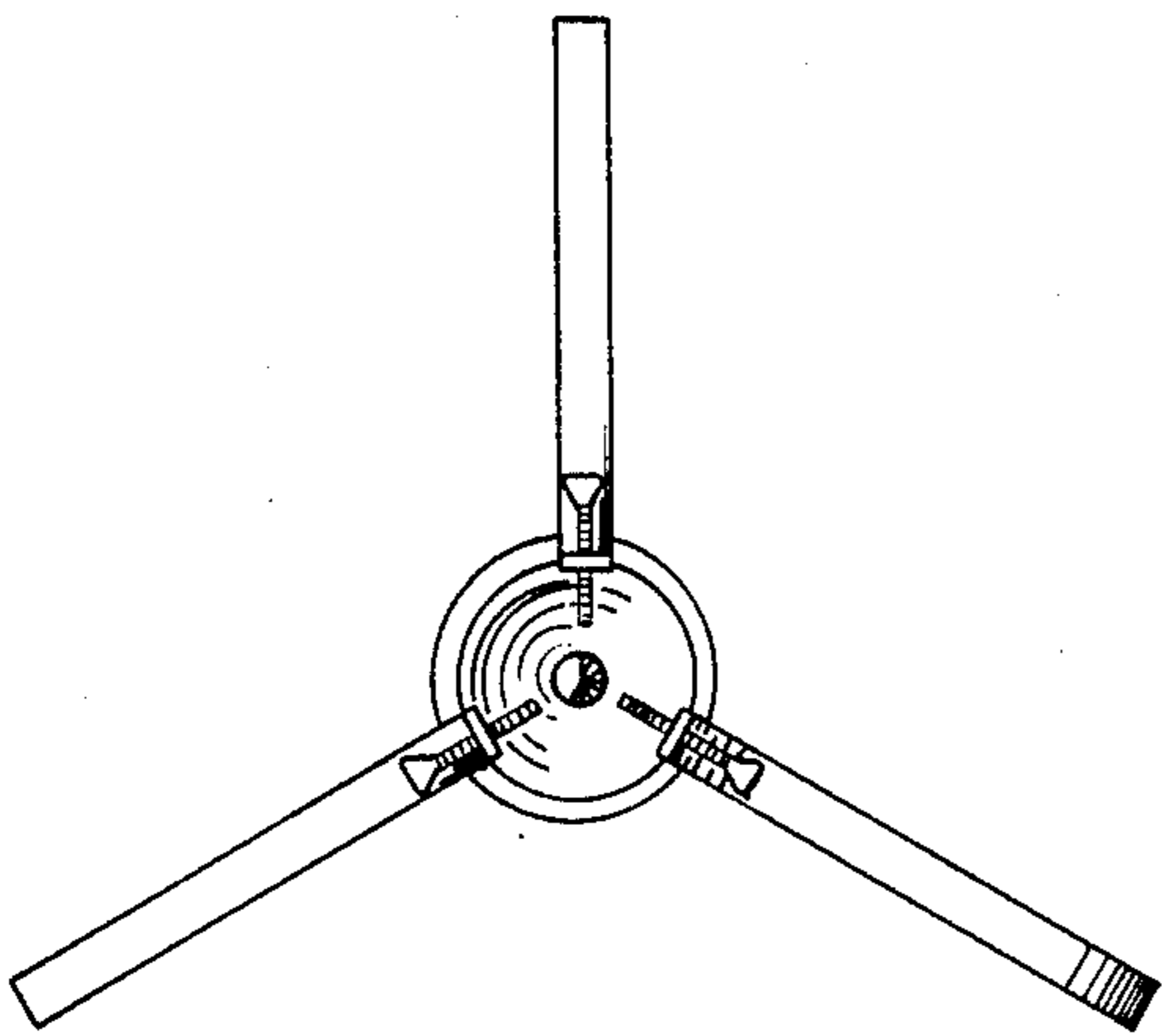


Fig. 3

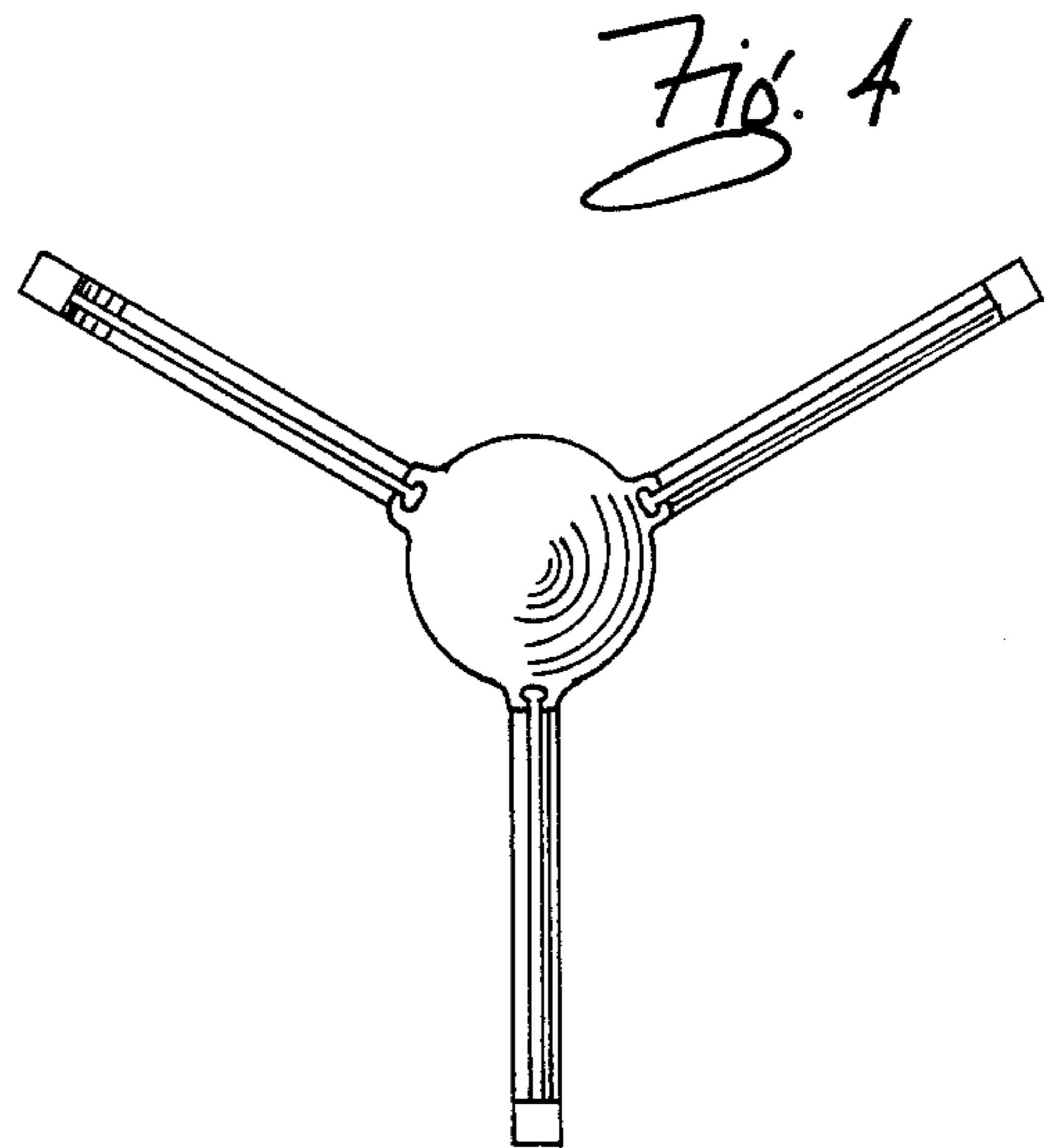


Fig. 4