

[54] CANTEEN-SHAPED BEVERAGE CONTAINER OR SIMILAR ARTICLE

D. 281,396 11/1985 Tobias D9/309
D. 290,687 7/1987 Llornte D9/385

[76] Inventor: Edgar R. Laverde, P.O. Box 7024, New York, N.Y. 10116

[**] Term: 14 Years

[21] Appl. No.: 318,376

[22] Filed: Mar. 3, 1989

[52] U.S. Cl. D9/307

[58] Field of Search D9/390, 307; D3/30.1; 206/457

OTHER PUBLICATIONS

Better Homes & Gardens Craft Kits Catalog; 12/16/1979; p. 21, Happy Trails Rug.

Primary Examiner—B. J. Bullock
Assistant Examiner—Dominic Simone
Attorney, Agent, or Firm—Milton Gerstein

[57] CLAIM

The ornamental design for a canteen-shaped beverage container or similar article, as shown and described.

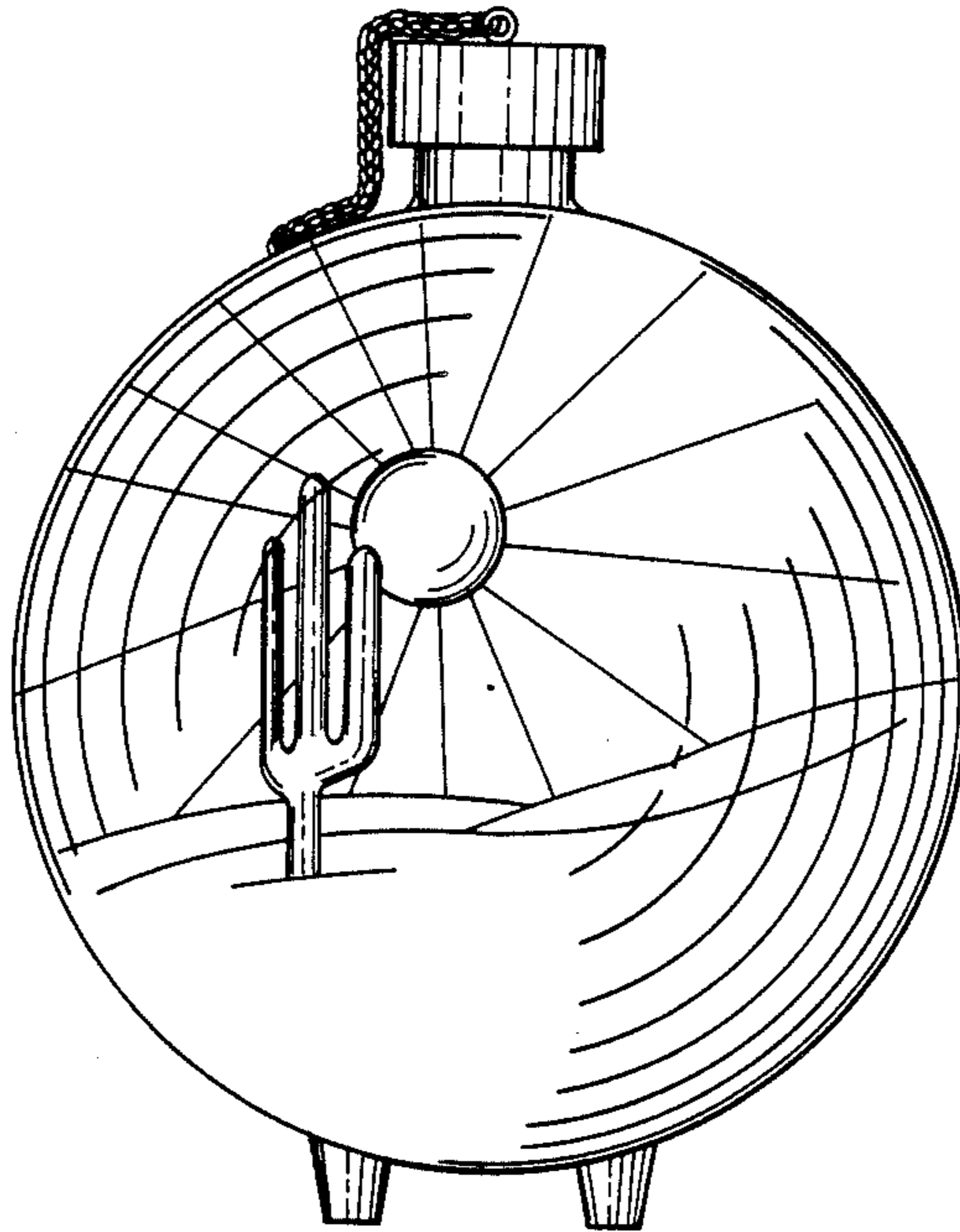
[56] References Cited

U.S. PATENT DOCUMENTS

- D. 50,182 1/1917 Boyle .
- D. 99,648 5/1936 Mulhens .
- D. 152,938 3/1949 Bocher D9/385
- D. 187,245 2/1960 Thompson, Jr. D3/30.1
- D. 190,142 4/1961 Meshino D3/30.1
- D. 278,033 3/1985 Borkan et al. D9/454

DESCRIPTION

FIG. 1 is a front left perspective view of a canteen-shaped beverage container or similar article showing my new design;
FIG. 2 is a top plan view thereof;
FIG. 3 is a left side elevational view thereof;
FIG. 4 is a rear elevational view thereof;
FIG. 5 is a front elevational view thereof.



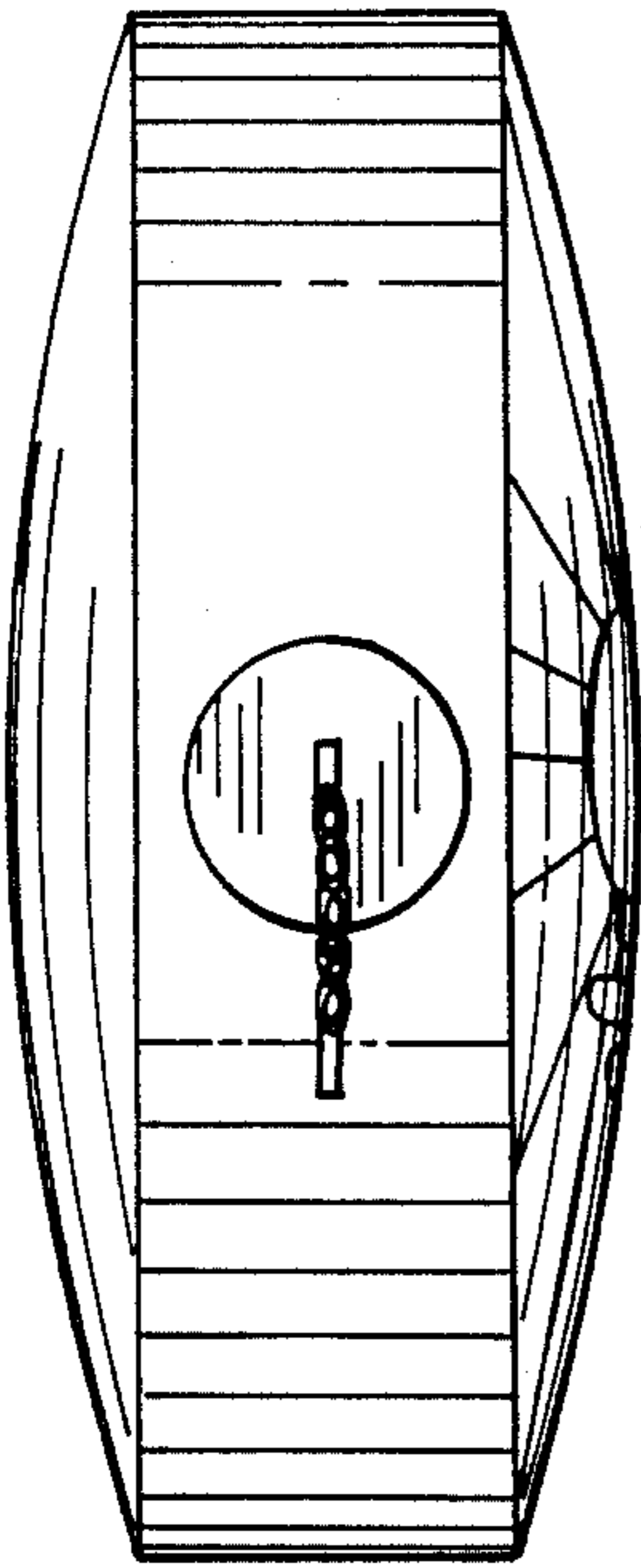


FIG. 2

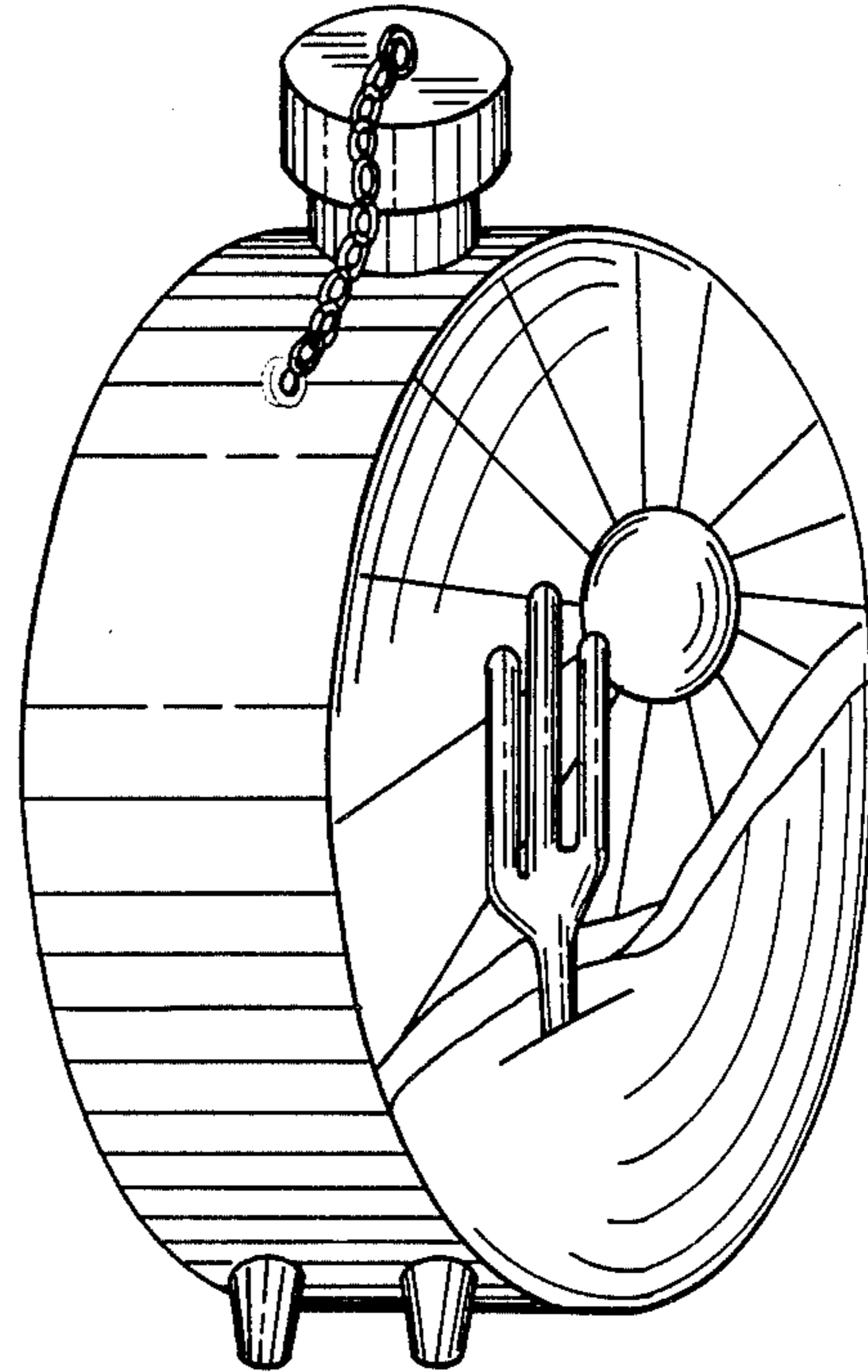


FIG. 1

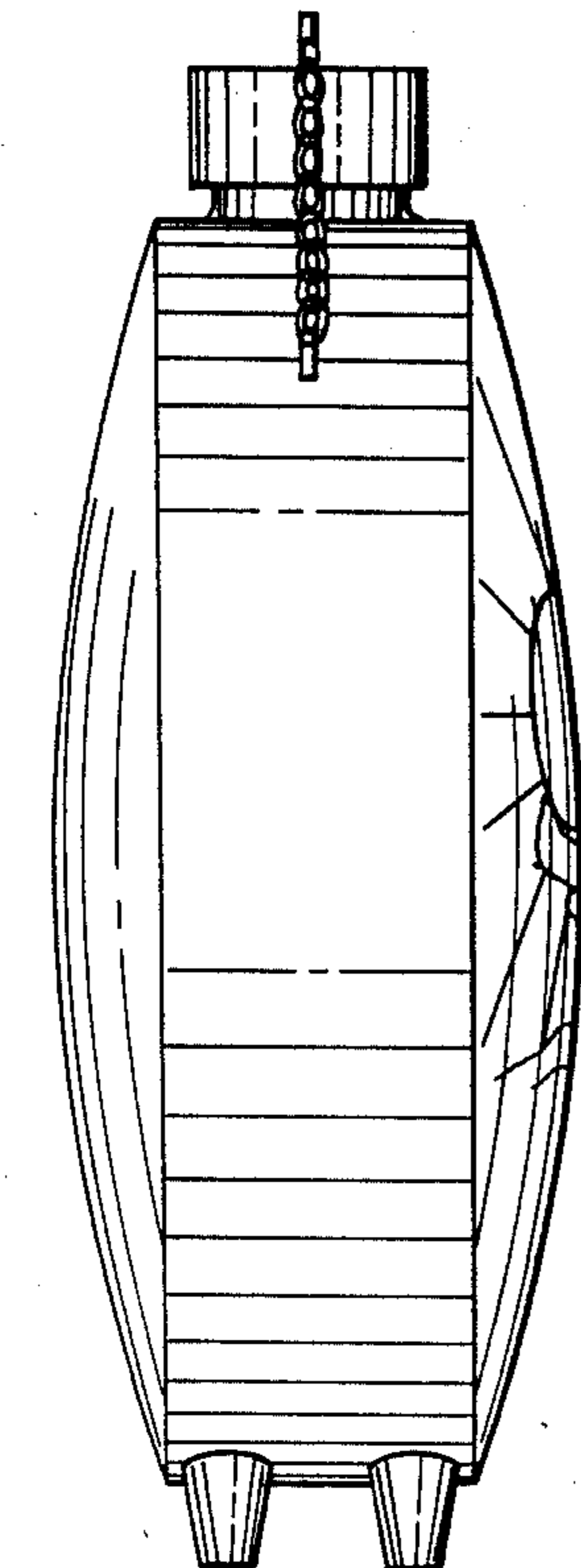


FIG. 3

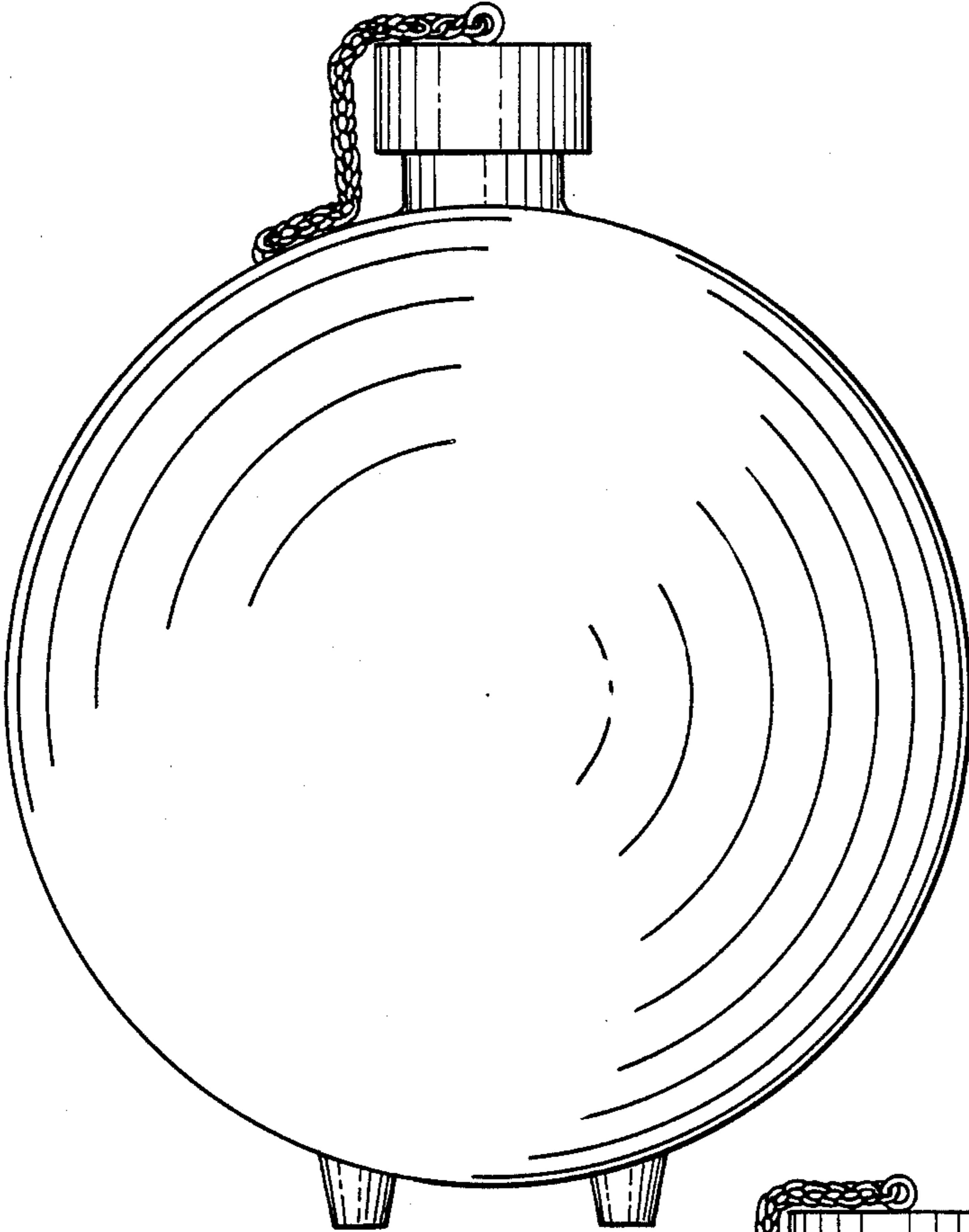


FIG. 4

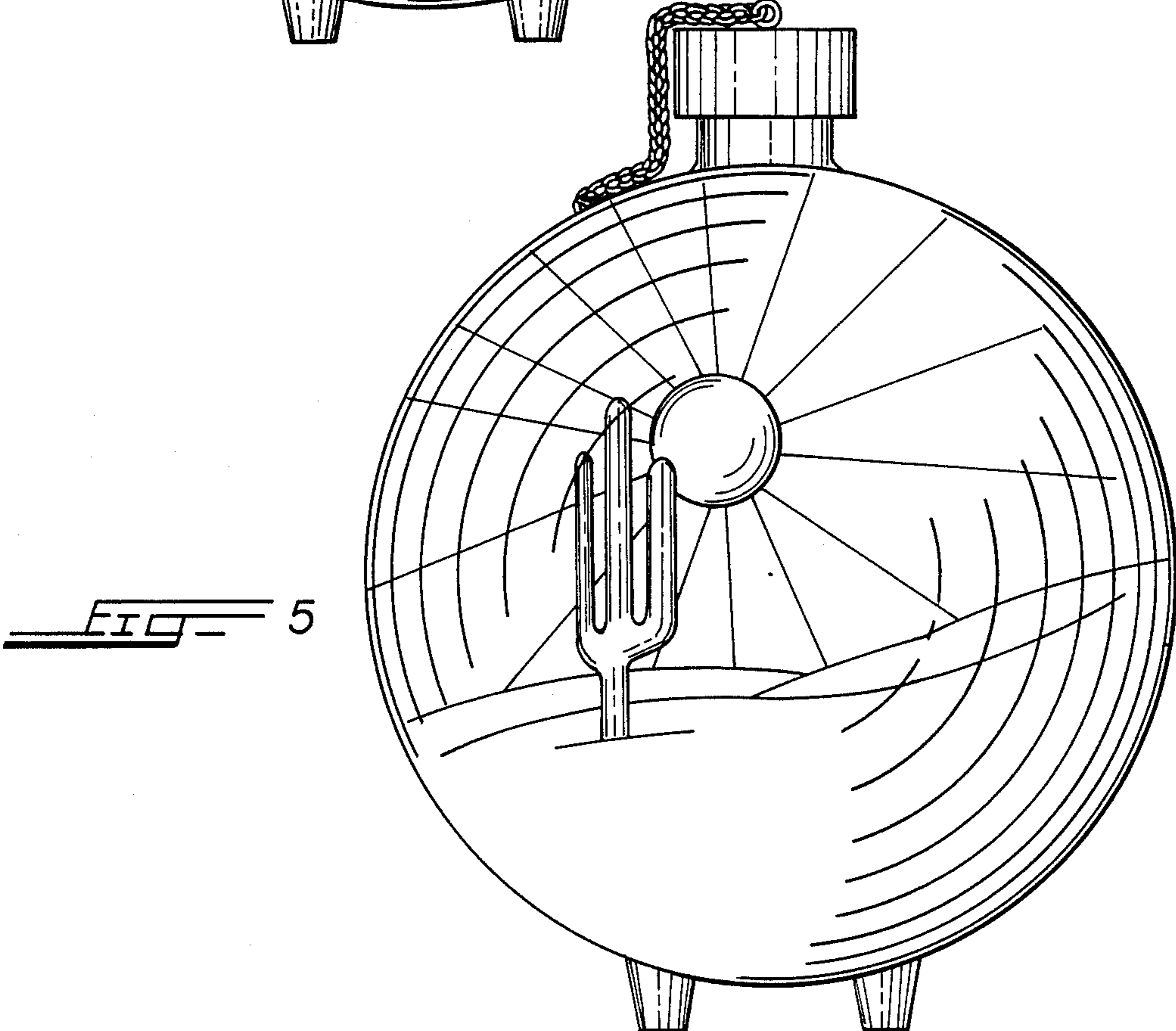


FIG. 5