

[54] **KNIFE SHARPENER**

[75] **Inventors: Erkki O. Lindén, Billnäs; Timo Sunila, Karjaa, both of Finland**

[73] **Assignee: Fiskars OY AB, Helsinki, Finland**

[**] **Term: 14 Years**

[21] **Appl. No.: 155,641**

[22] **Filed: Feb. 12, 1988**

[30] **Foreign Application Priority Data**

Aug. 14, 1987 [FI]	Finland	634/87
[52] U.S. Cl.		D8/93; D8/63
[58] Field of Search		D8/63, 90-93; 76/82, 85; 51/211 H, 214, 80 BS, 84 BS, 98 BS, 109 BS, 173, 205 WG

[56] **References Cited**

U.S. PATENT DOCUMENTS

D. 184,653	3/1959	Anderson	D8/63
D. 288,657	3/1987	Linden	D8/93

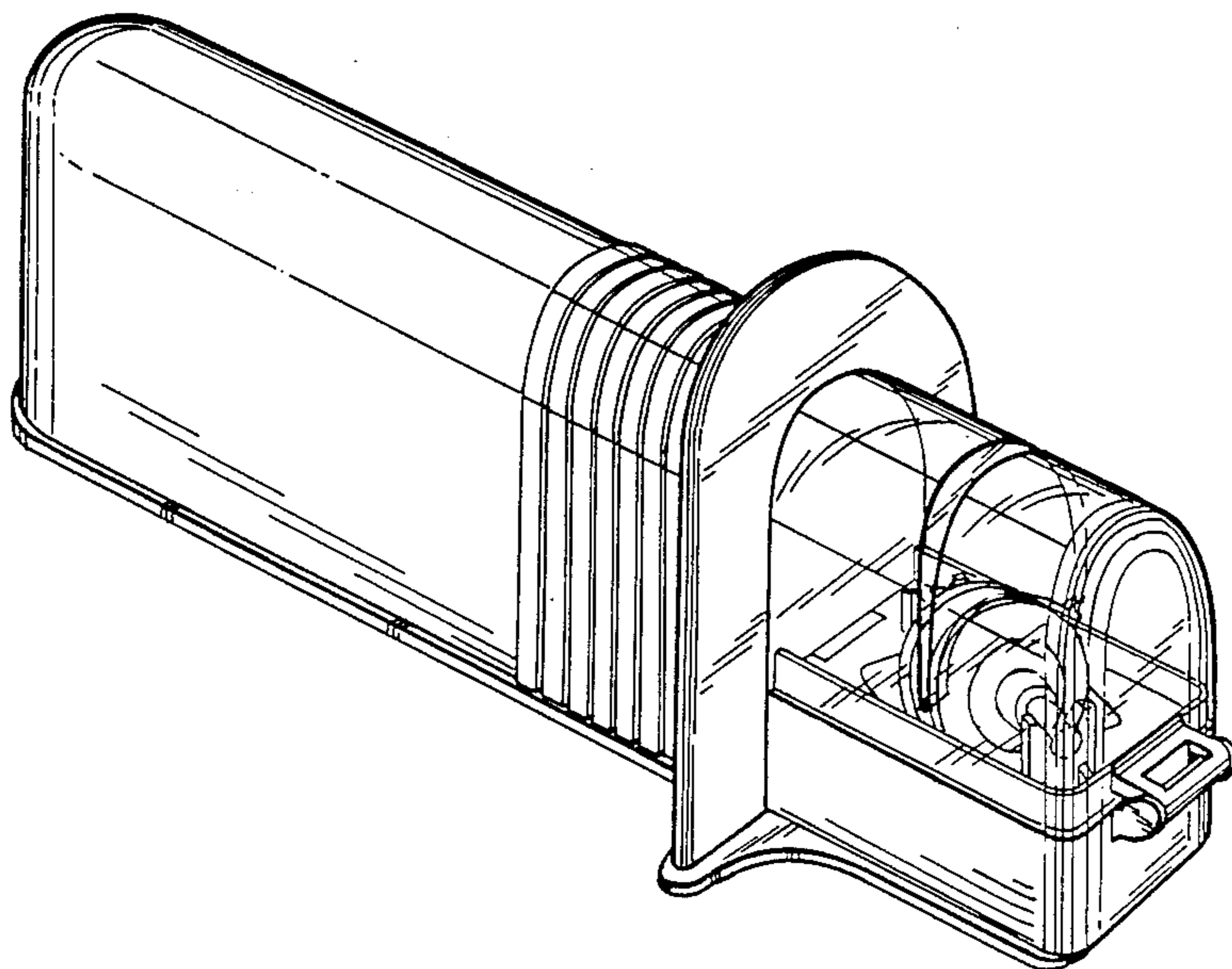
Primary Examiner—Bruce W. Dunkins
Assistant Examiner—Clare E. Heflin
Attorney, Agent, or Firm—Foley & Lardner

[57] **CLAIM**

The ornamental design for a knife sharpener, as shown and described.

DESCRIPTION

FIG. 1 is a front perspective view of a knife sharpener showing our new design;
FIG. 2 is a left side elevational view thereof;
FIG. 3 is a right side elevational view thereof;
FIG. 4 is a top plan view thereof;
FIG. 5 is a bottom plan view thereof;
FIG. 6 is a front elevational view thereof;
FIG. 7 is a rear elevational view thereof.



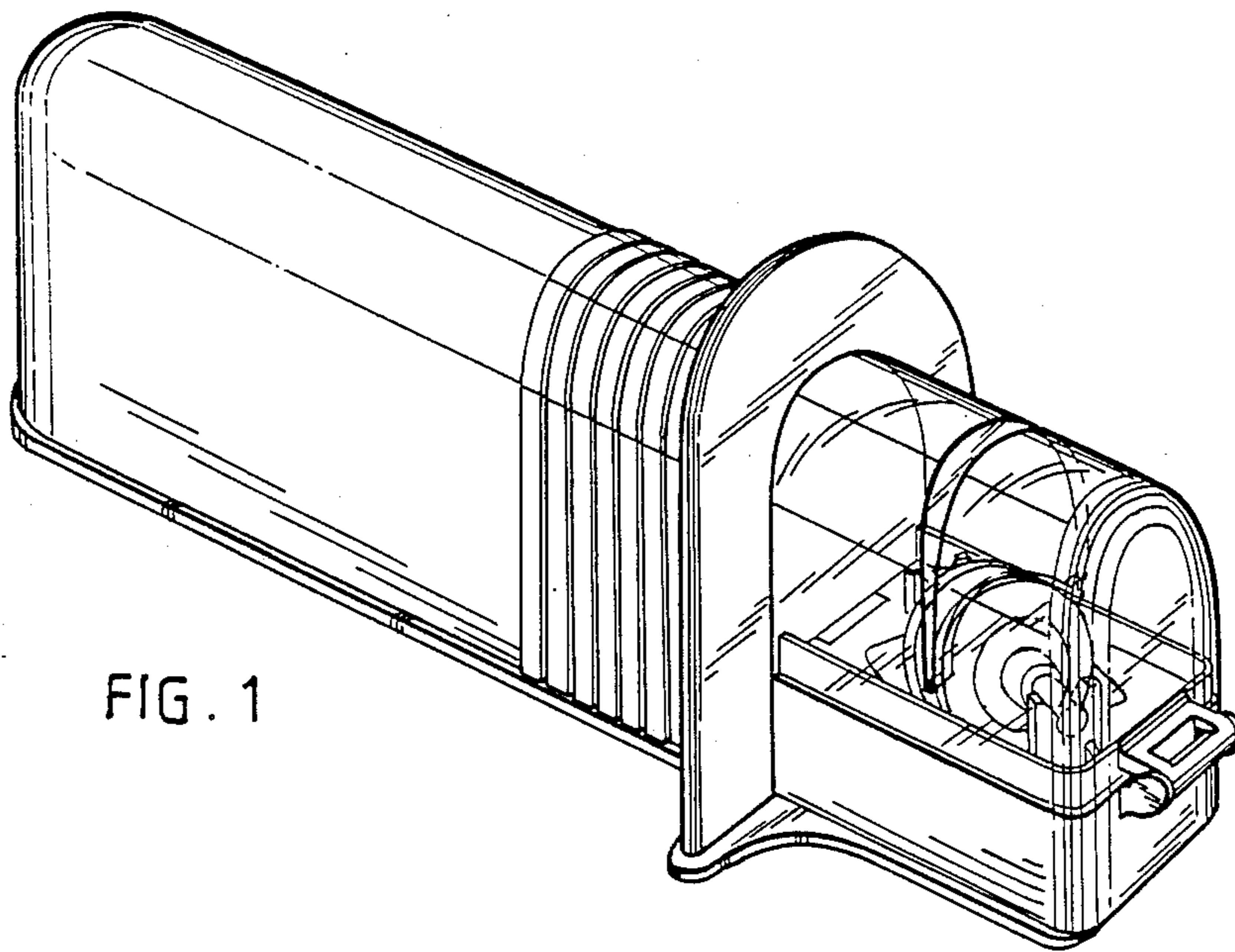


FIG. 1

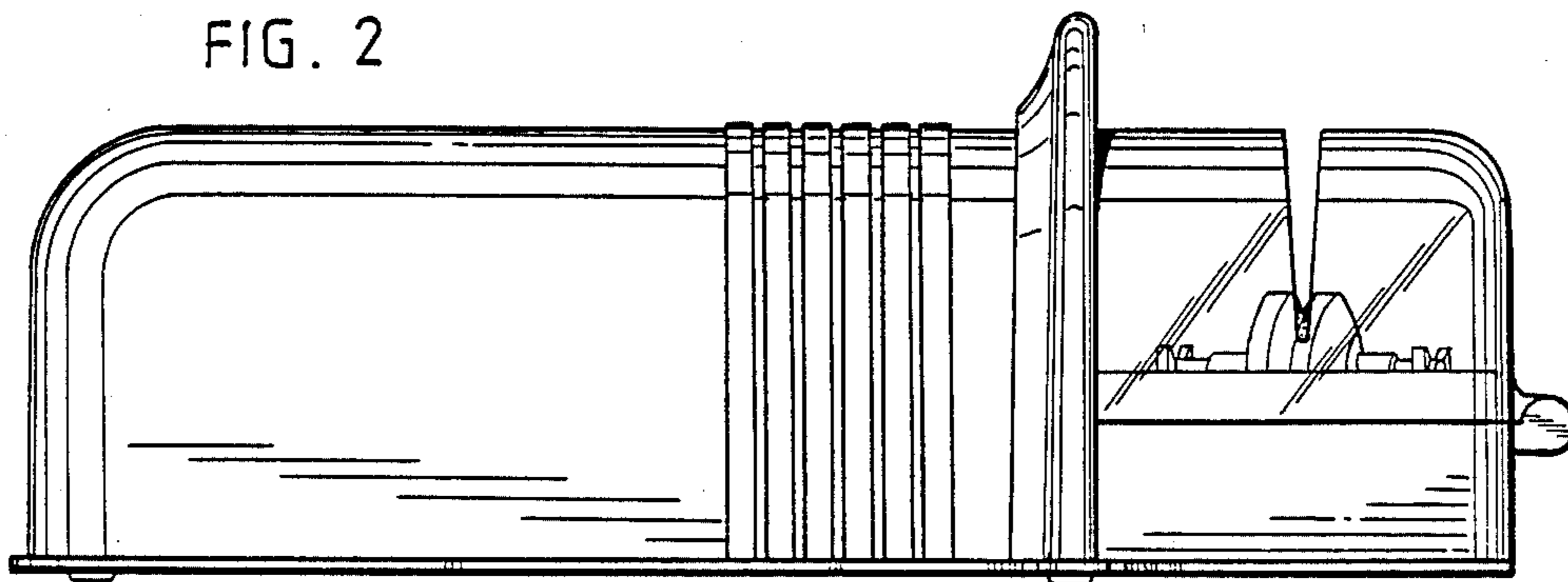


FIG. 2

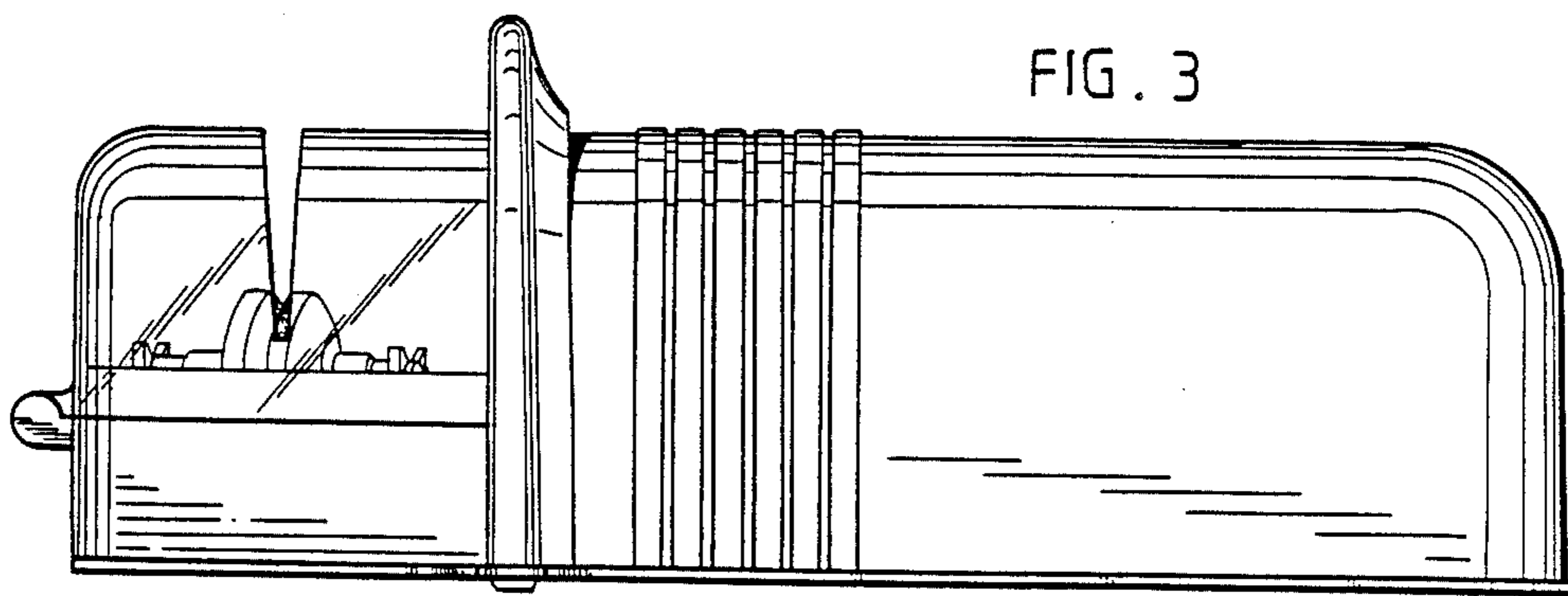


FIG. 3

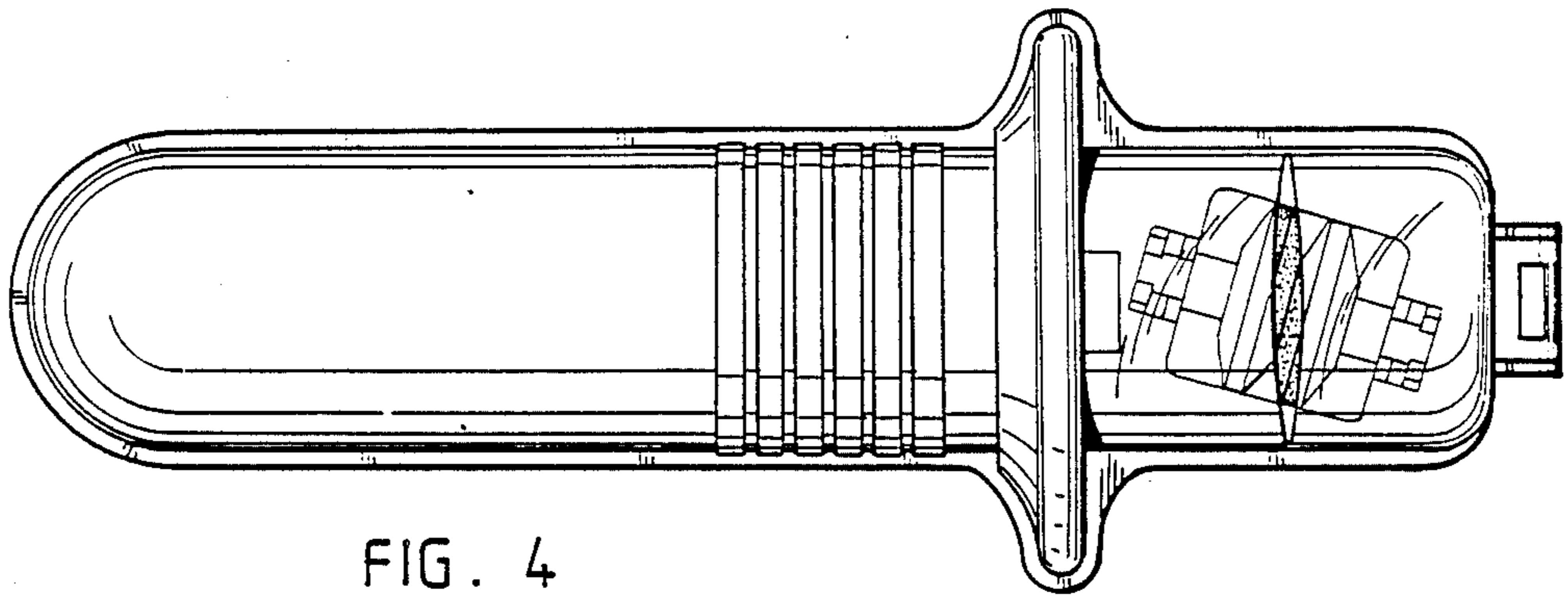


FIG. 4

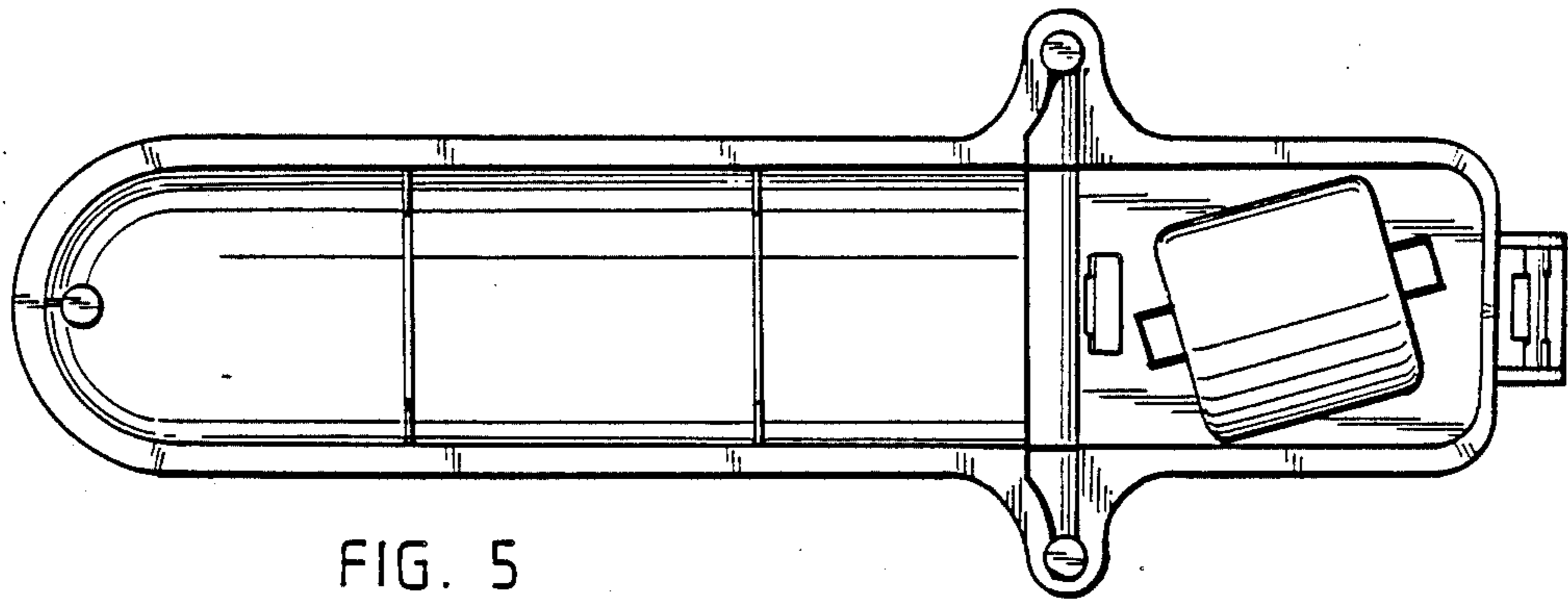


FIG. 5

FIG. 6

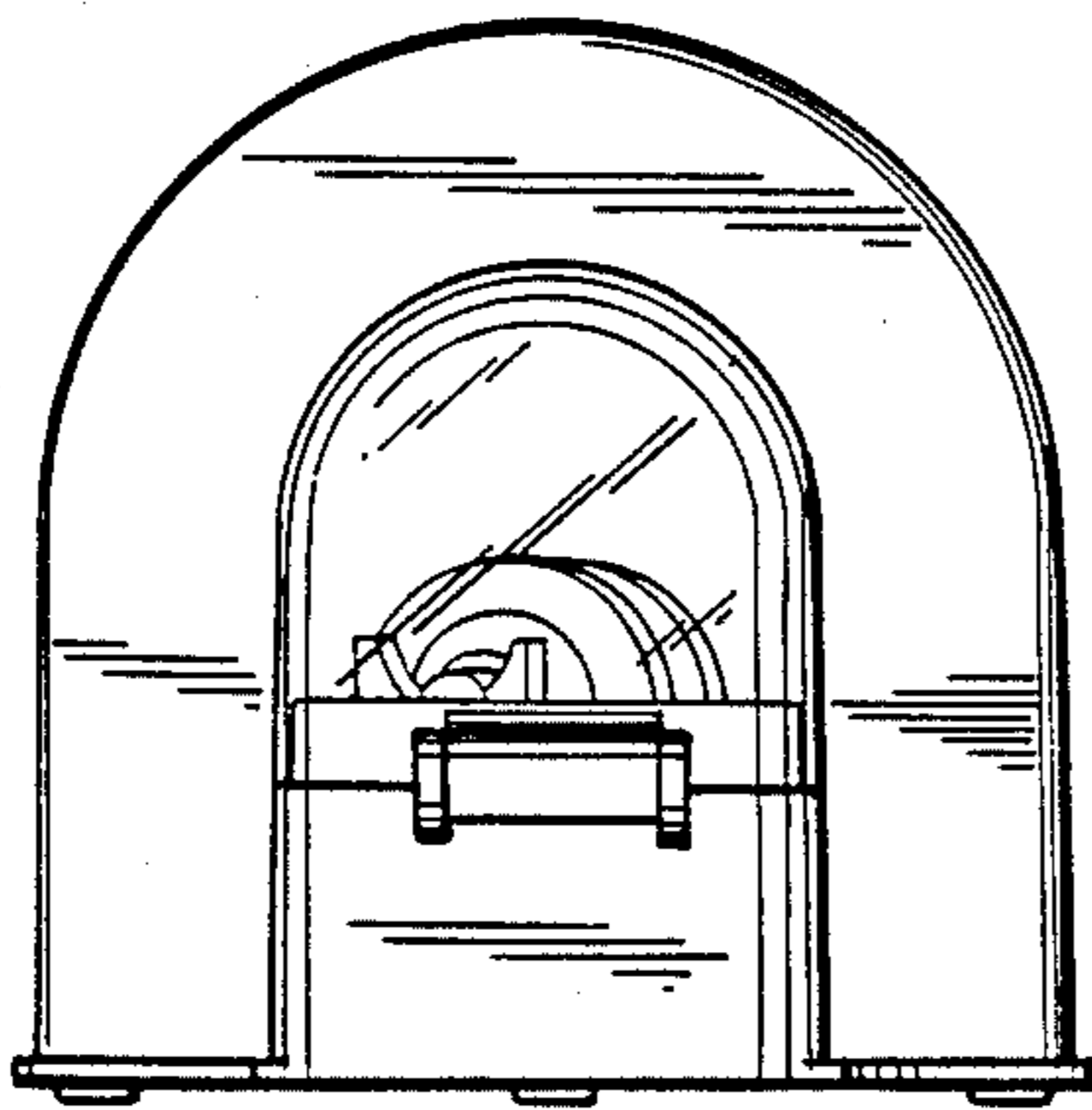


FIG. 7

