

[54] CLAMP FOR CLAMPING WIRES

[75] Inventor: Akio Fujioka, Ichikawa, Japan

[73] Assignee: Kitagawa Industries Co., Ltd., Nagoya, Japan

[\*\*] Term: 14 Years

[21] Appl. No.: 139,711

[22] Filed: Dec. 30, 1987

[30] Foreign Application Priority Data

Oct. 13, 1987 [JP] Japan ..... 62-41770

[52] U.S. Cl. .... D8/396; D8/382; D8/394

[58] Field of Search ..... D8/382, 394, 396; D13/99; 248/71, 68.1, 74.2, 74.1, 74.3; 335/285, 303; 24/16 PB; 336/65, 67

[56] References Cited

U.S. PATENT DOCUMENTS

D. 265,381	7/1982	Borja	.....	D8/395
D. 291,177	8/1987	Santucci et al.	.....	D8/382
D. 299,008	12/1988	Näslund	.....	D8/395
3,229,030	1/1966	Baermann	.....	335/303 X
3,241,198	3/1966	Baermann	.....	335/303 X
3,514,731	5/1970	Drake	.....	335/285
3,529,795	9/1970	Van Niel	.....	248/74.3
4,325,526	4/1982	Kitagawa	.	
4,336,806	6/1982	Eldridge	.....	335/303 X
4,356,599	11/1982	Larson et al.	.....	24/16 PB
4,457,482	7/1984	Kitagawa	.	
4,527,311	7/1985	Aoki	.....	335/285
4,669,688	6/1987	Itoh et al.	.....	248/71

4,769,985 9/1988 Moritz ..... 248/68.1

FOREIGN PATENT DOCUMENTS

61-116021	1/1986	Japan	.
61-38714	4/1986	Japan	.
61-76626	9/1986	Japan	.
61-97899	11/1986	Japan	.
62-14770	6/1987	Japan	.
693498	4/1988	Japan	.

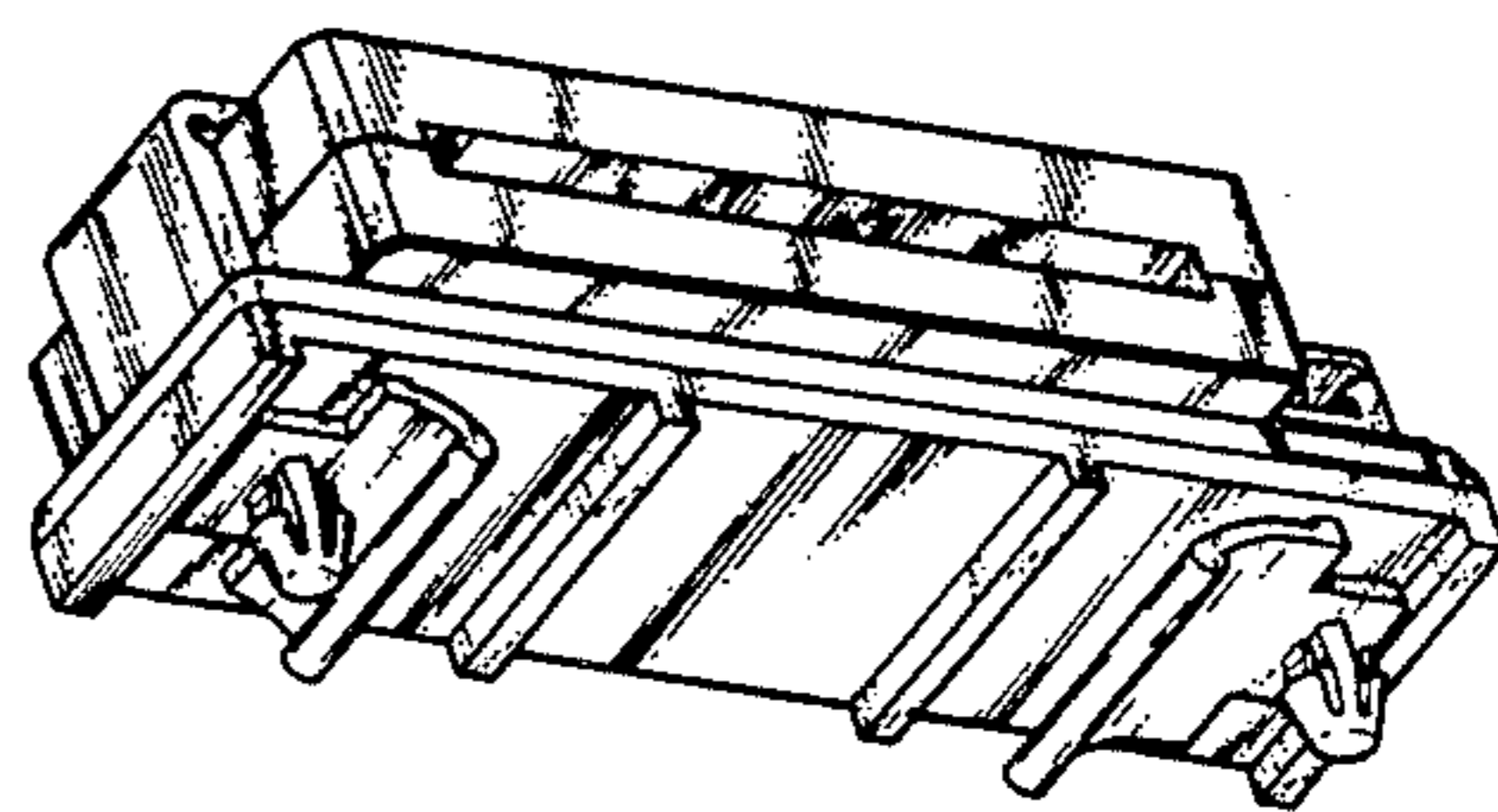
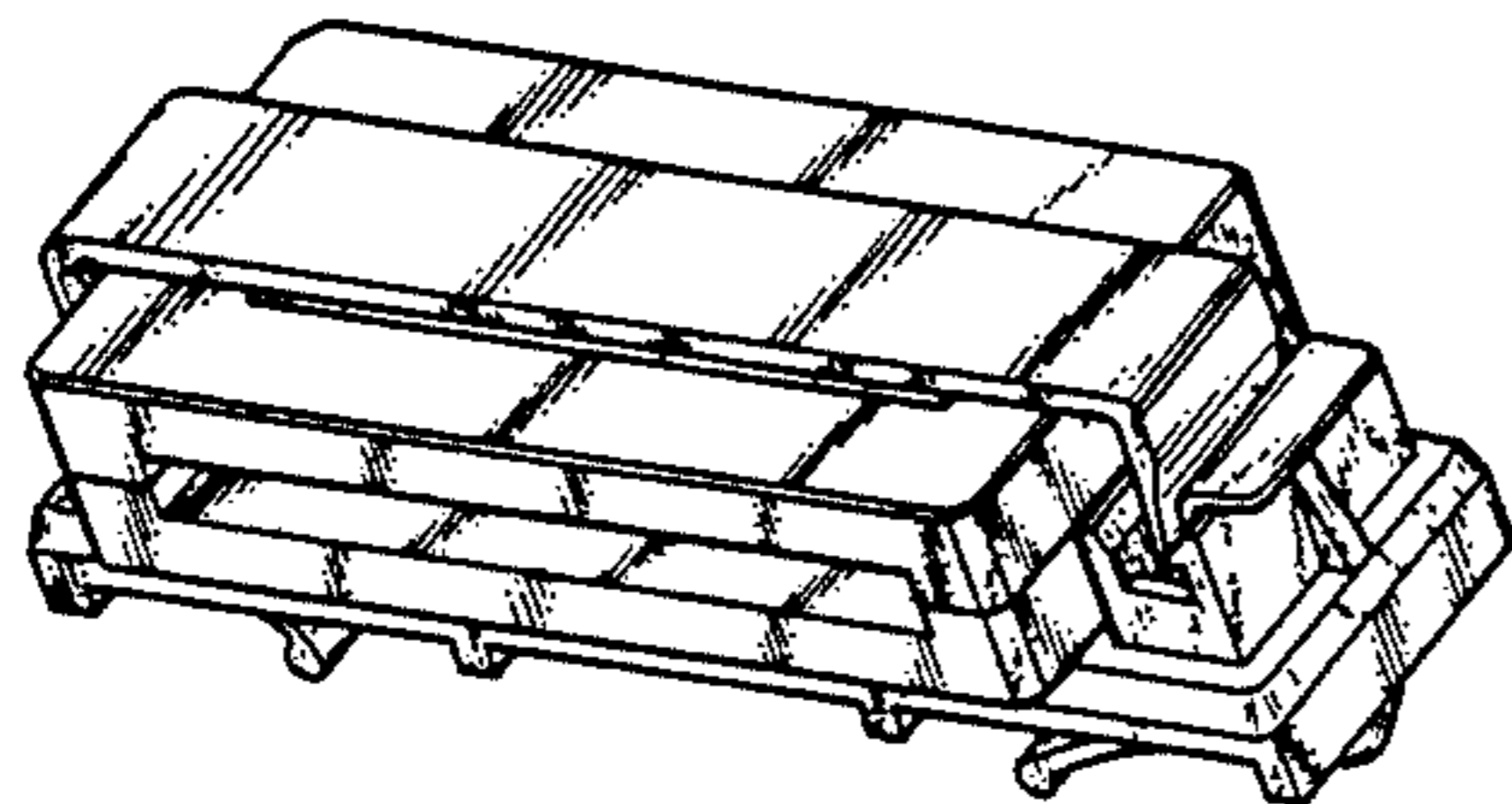
Primary Examiner—B. J. Bullock  
Attorney, Agent, or Firm—Oliff & Berridge

[57] CLAIM

The ornamental design for a clamp for clamping wires, as shown and described.

DESCRIPTION

FIG. 1 is a top view of a clamp for clamping wires showing my new design;  
 FIG. 2 is a left side view thereof;  
 FIG. 3 is a front view thereof;  
 FIG. 4 is a right side view thereof;  
 FIG. 5 is a rear view thereof;  
 FIG. 6 is a bottom view thereof;  
 FIG. 7 is a front view thereof, the wires and panel in broken lines are for illustrative purposes only;  
 FIG. 8 is a front view thereof, in its open position;  
 FIG. 9 is a right side view of FIG. 8;  
 FIG. 10 is a sectional view taken in the direction of the arrows on line 10—10 of FIG. 2;  
 FIG. 11 is a sectional view taken in the direction of the arrows on line 11—11 of FIG. 3;  
 FIG. 12 is a top, front perspective view thereof;  
 FIG. 13 is a bottom, front perspective view thereof.



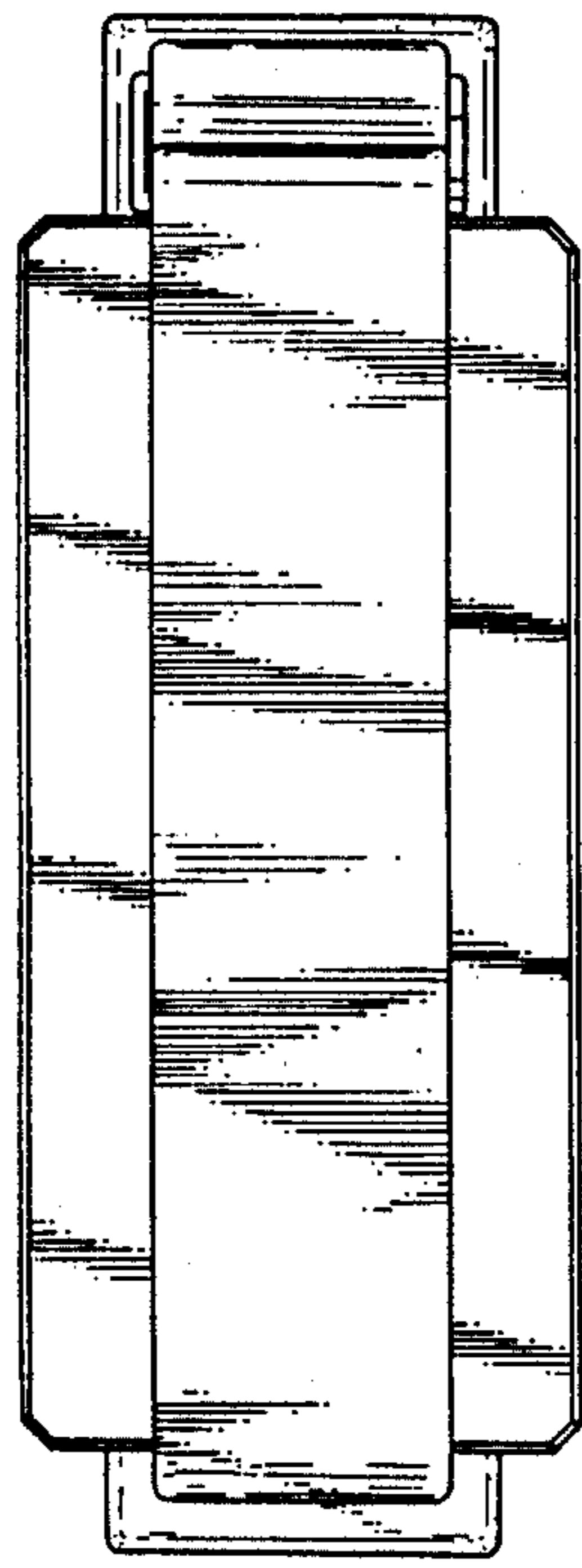


FIG. 1

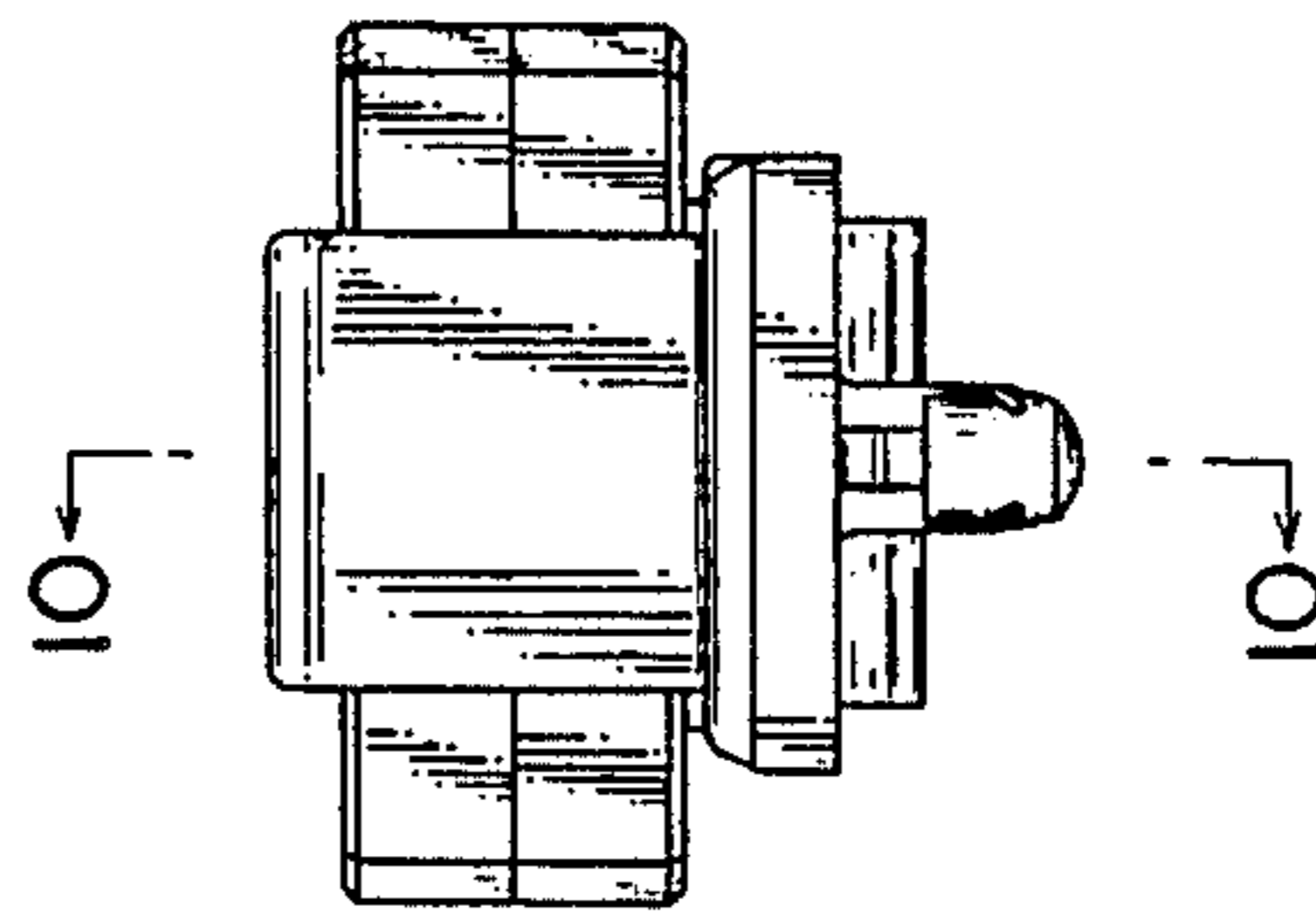


FIG. 2

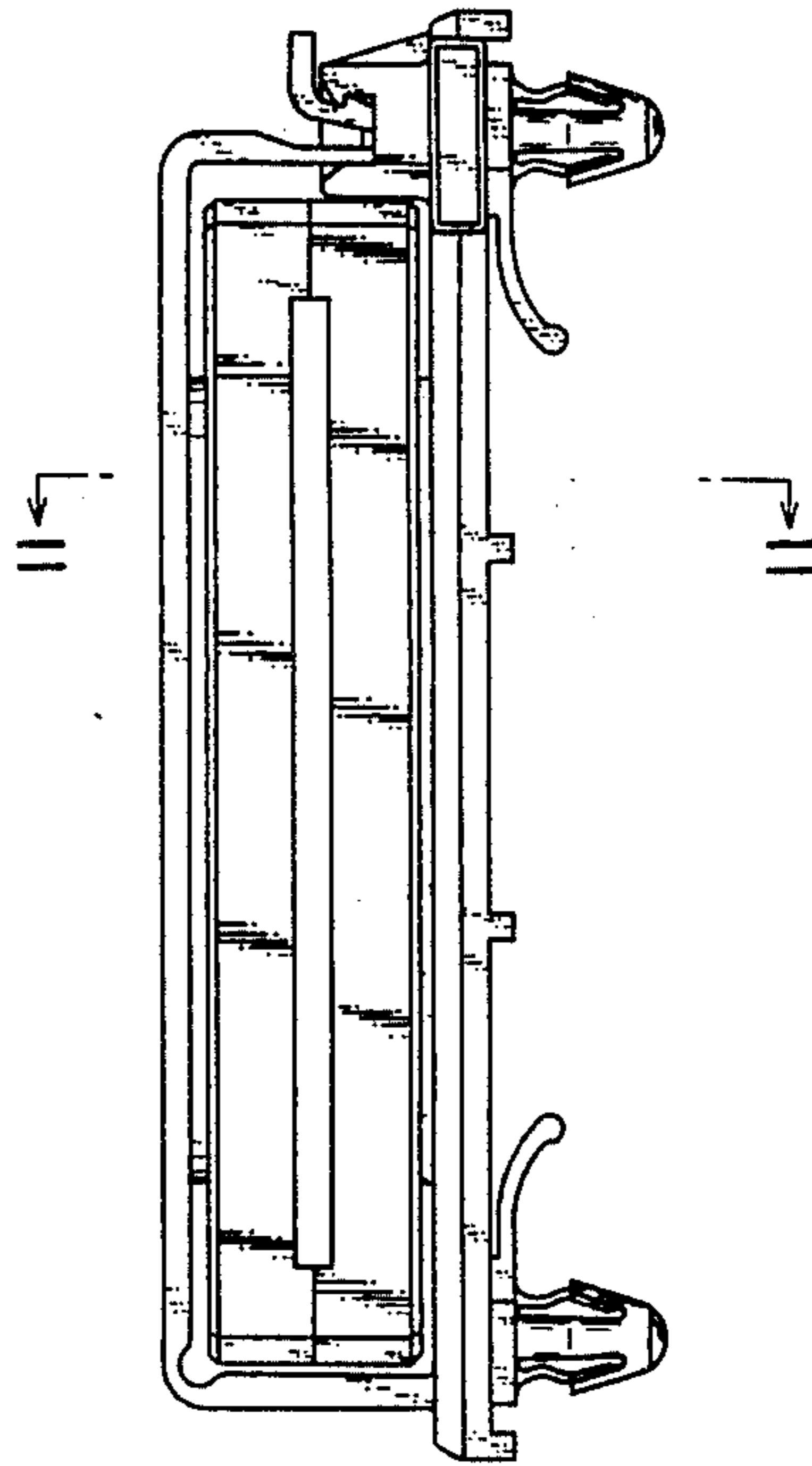


FIG. 3

FIG. 4

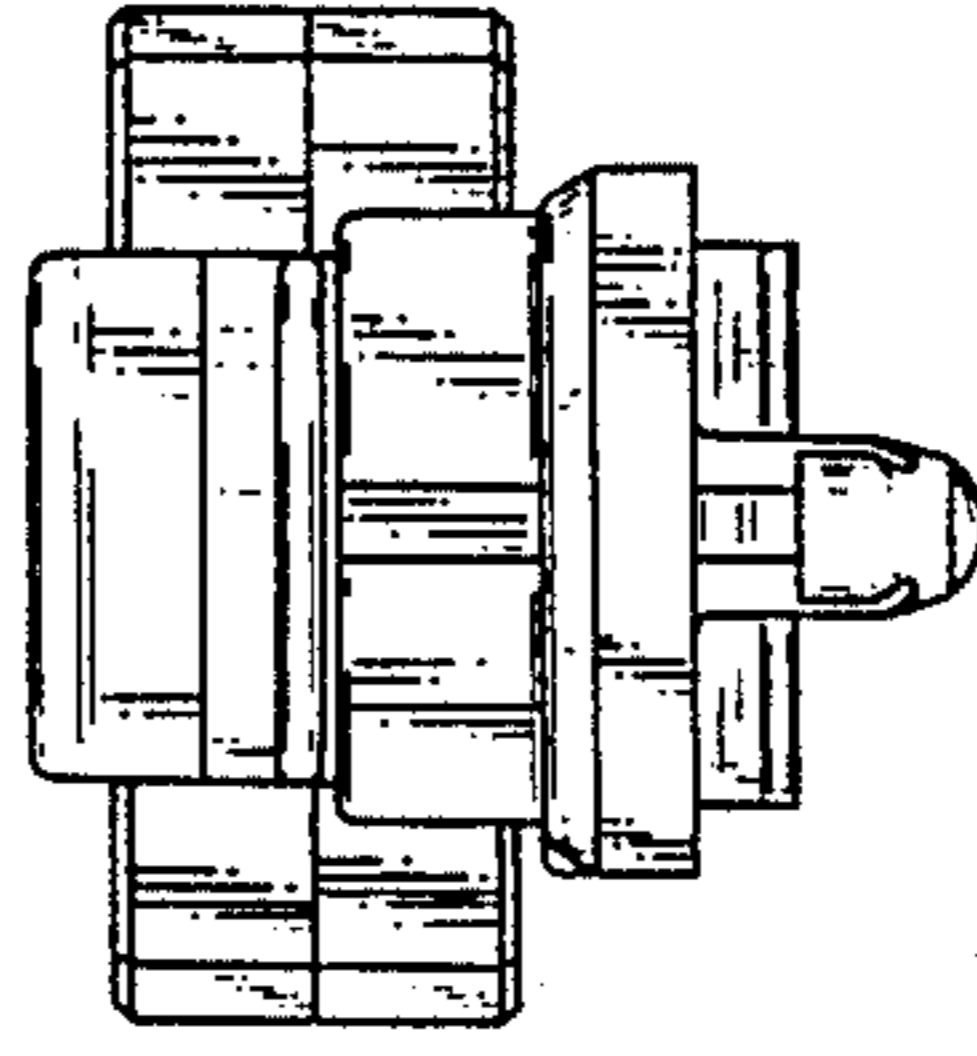


FIG. 5

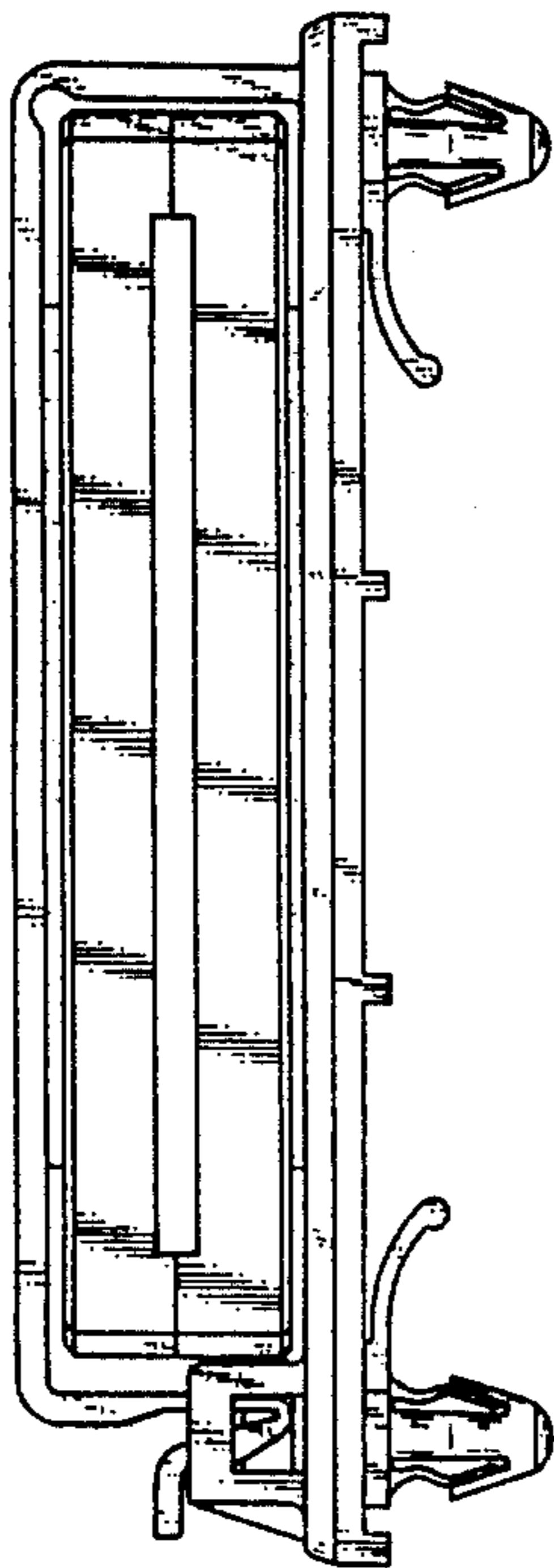


FIG. 7

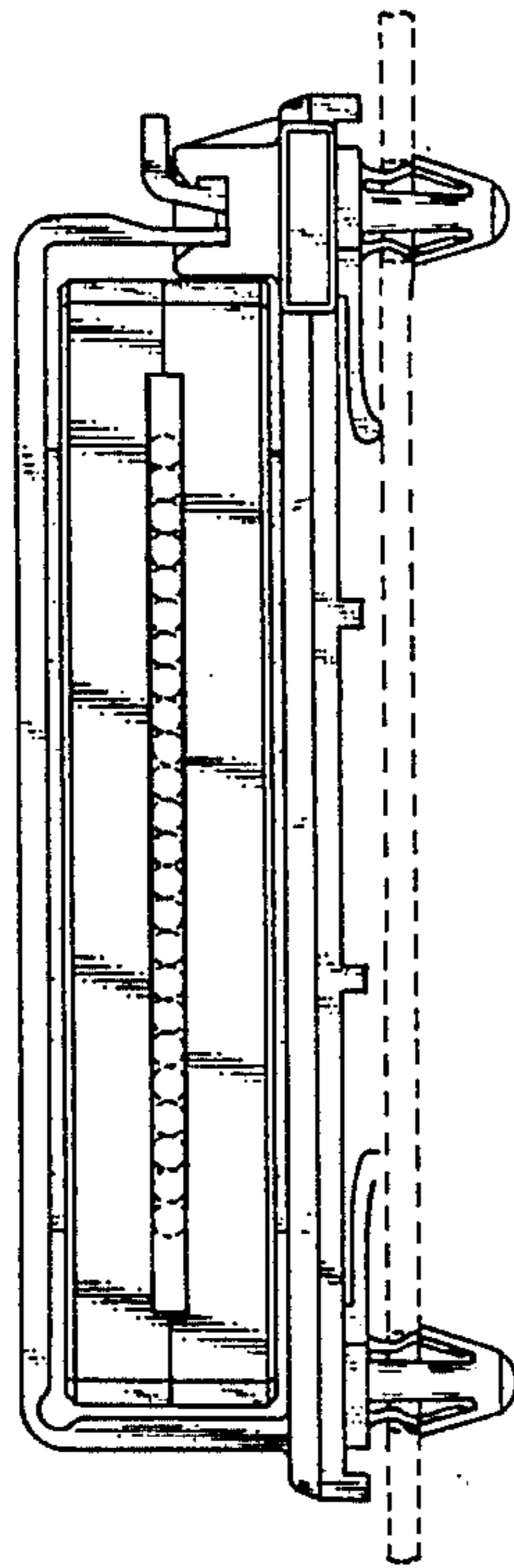


FIG. 6

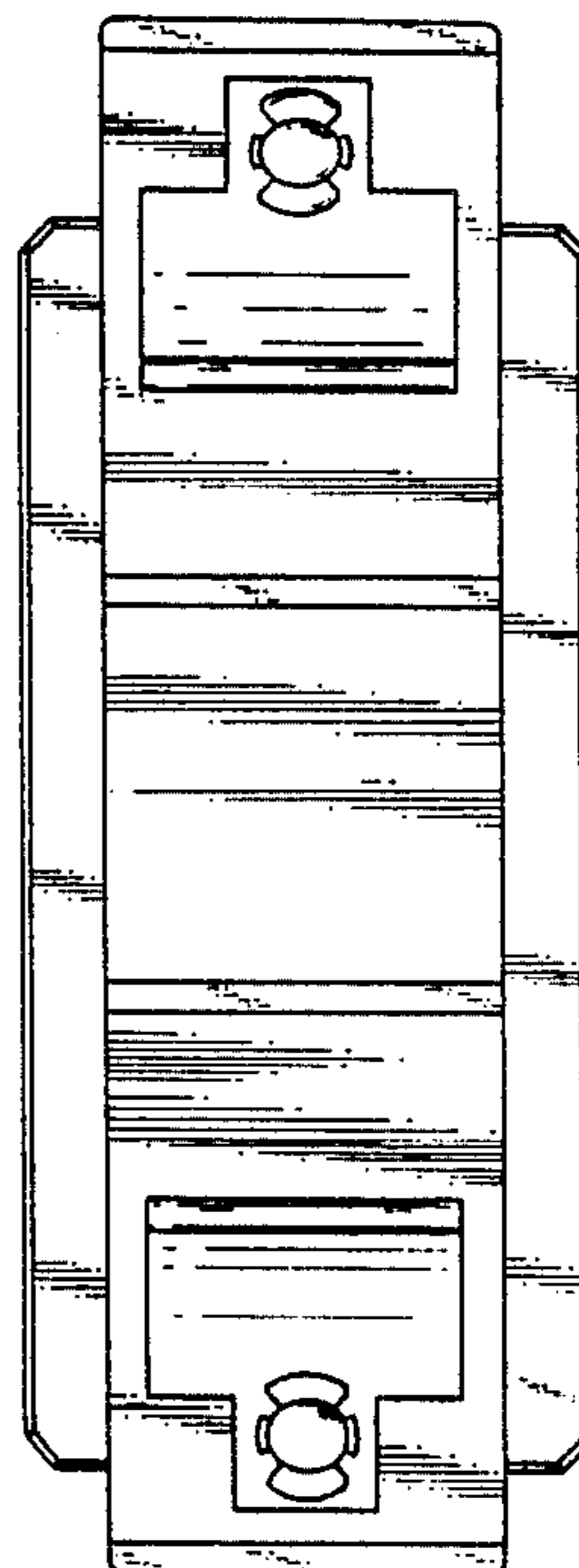


FIG.9

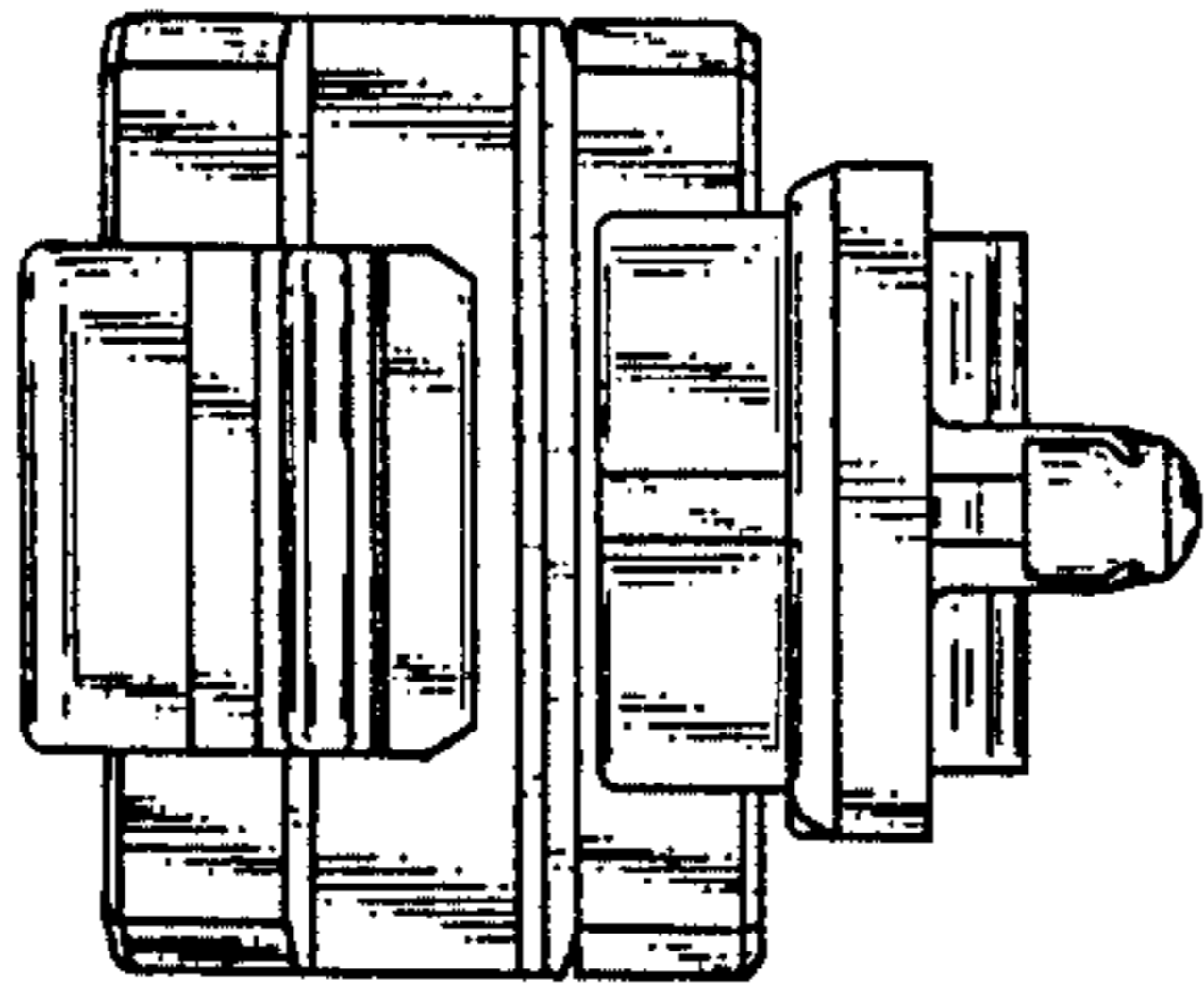


FIG.11

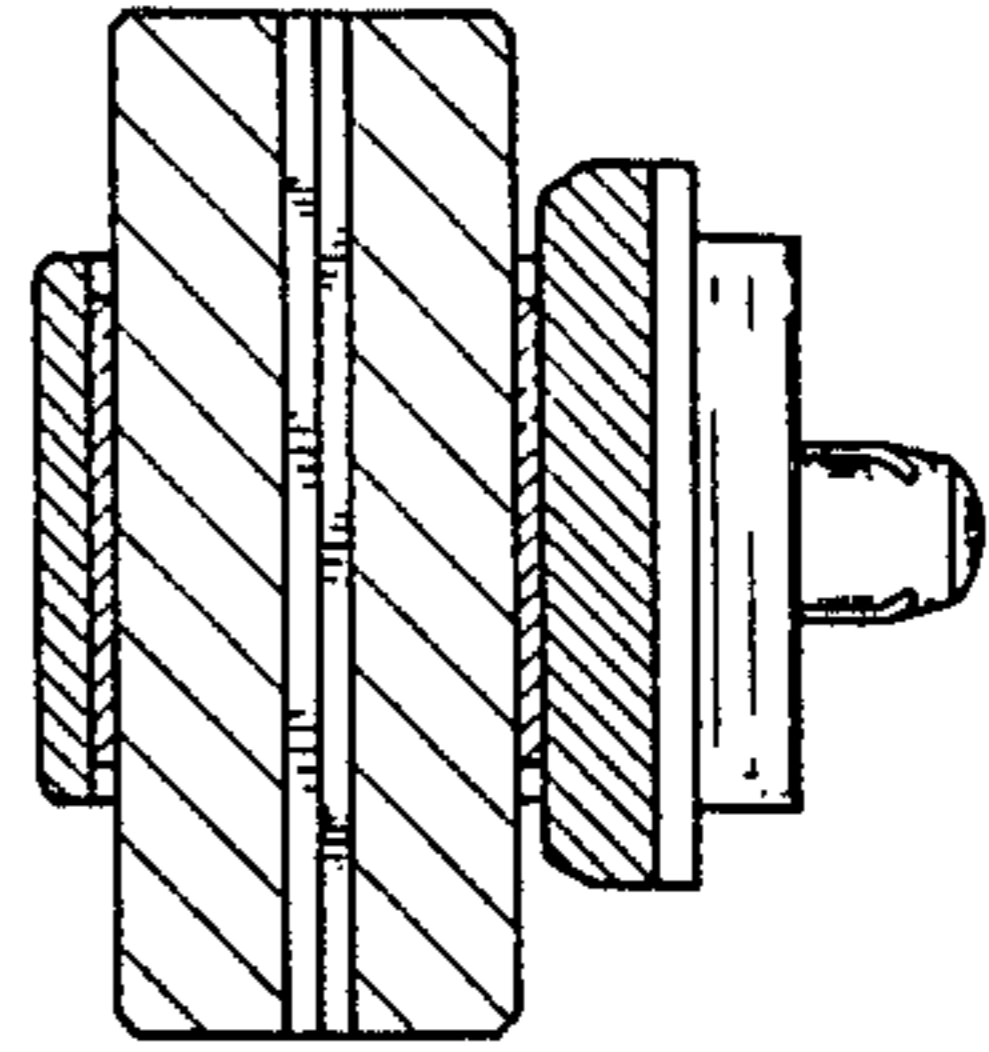


FIG.8

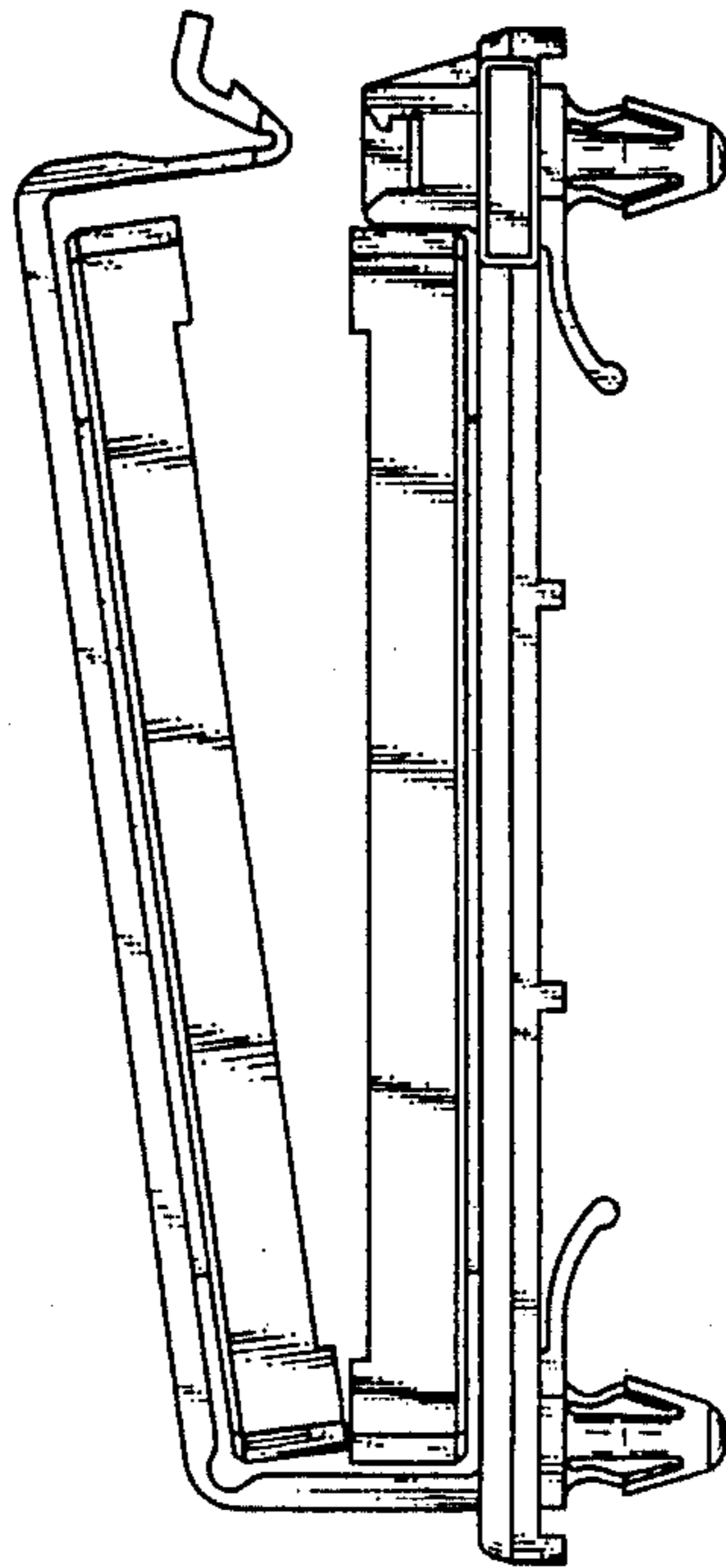


FIG.10

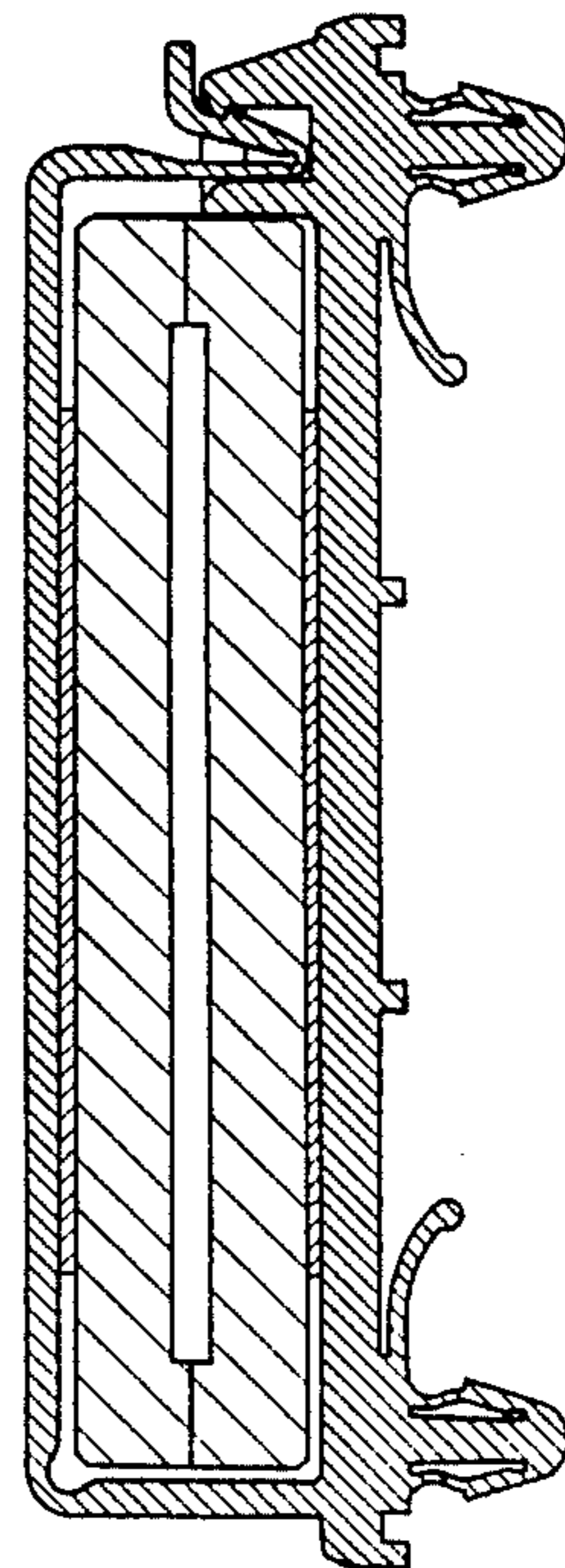




FIG. 13

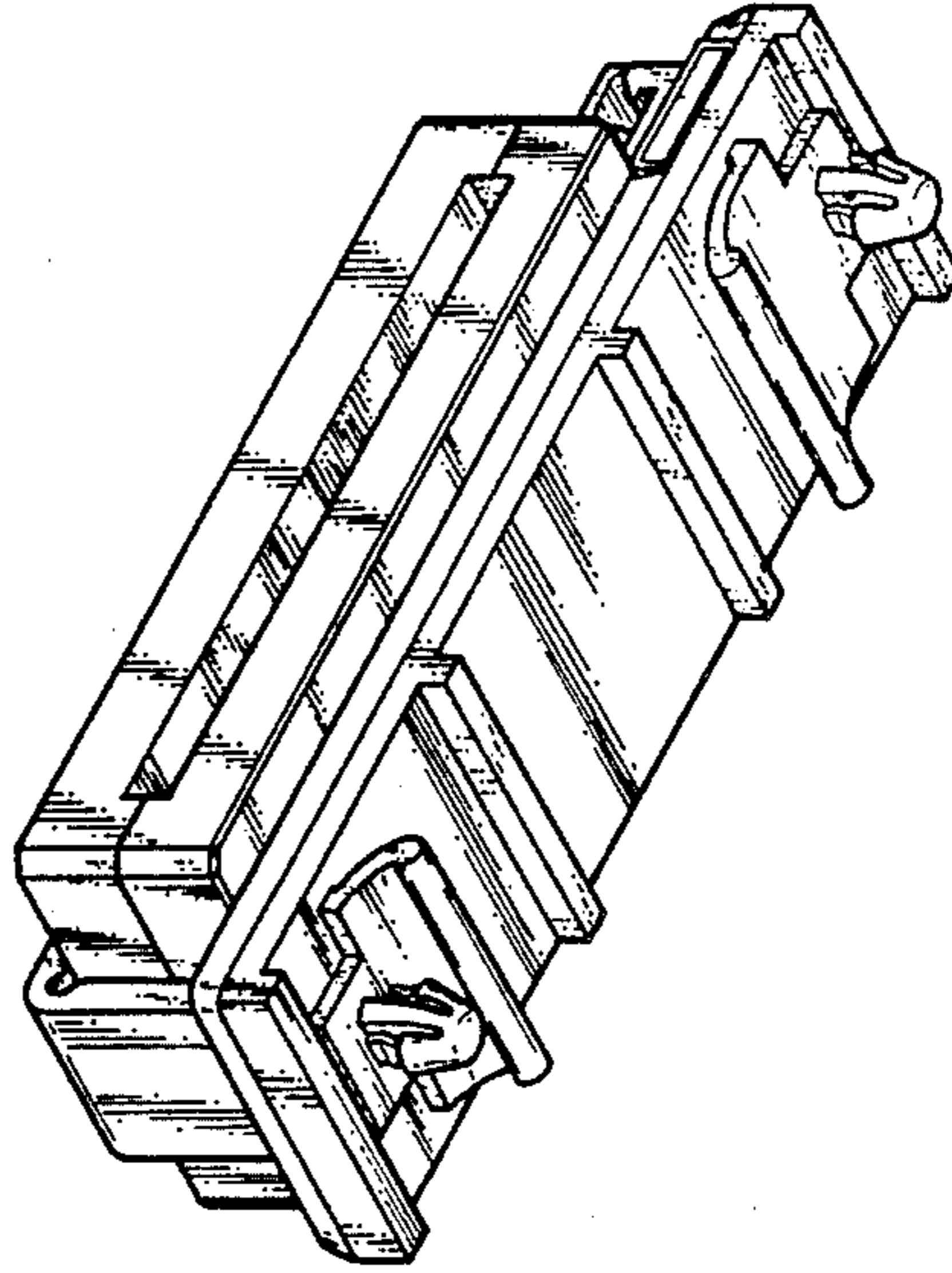


FIG. 12

