

[54] MOUNTING BRACKET FOR LATCHES AND LOCKS

[75] Inventors: Richard H. Russell, Farmington; Thomas V. McLinden, Oxford, both of Conn.

[73] Assignee: The Eastern Company, Cleveland, Ohio

[**] Term: 14 Years

[21] Appl. No.: 372,945

[22] Filed: Jun. 28, 1989

4,706,478 11/1987 Swan et al. 70/208

OTHER PUBLICATIONS

Southco Inc., *Southco Fasteners Handbook* 37, Concordville, Pa. 19331, date unknown.

Eberhard Manufacturing Co., *Handbook of Latches, Locks, Hinges, Handles, and Related Hardware* No. 103, Cleveland, Ohio 44136, 1985.

Primary Examiner—Wallace R. Burke
Assistant Examiner—Brian N. Vinson
Attorney, Agent, or Firm—David A. Burge

[57] CLAIM

The ornamental design for a mounting bracket for latches and locks, as shown and described.

DESCRIPTION

FIG. 1 is a perspective view of a mounting bracket for latches and locks showing our new design; FIG. 2 is a front elevational view thereof; FIG. 3 is a rear elevational view thereof; FIG. 4 is a left side elevational view thereof; FIG. 5 is a right side elevational view thereof; FIG. 6 is a bottom plan view thereof; FIG. 7 is a top plan view thereof; and, FIG. 8 is a perspective view thereof, with the broken-line showing of the latch housing being for illustrative purposes only and forming no part of the claimed design.

Related U.S. Application Data

[62] Division of Ser. No. 72,278, Jul. 10, 1987.

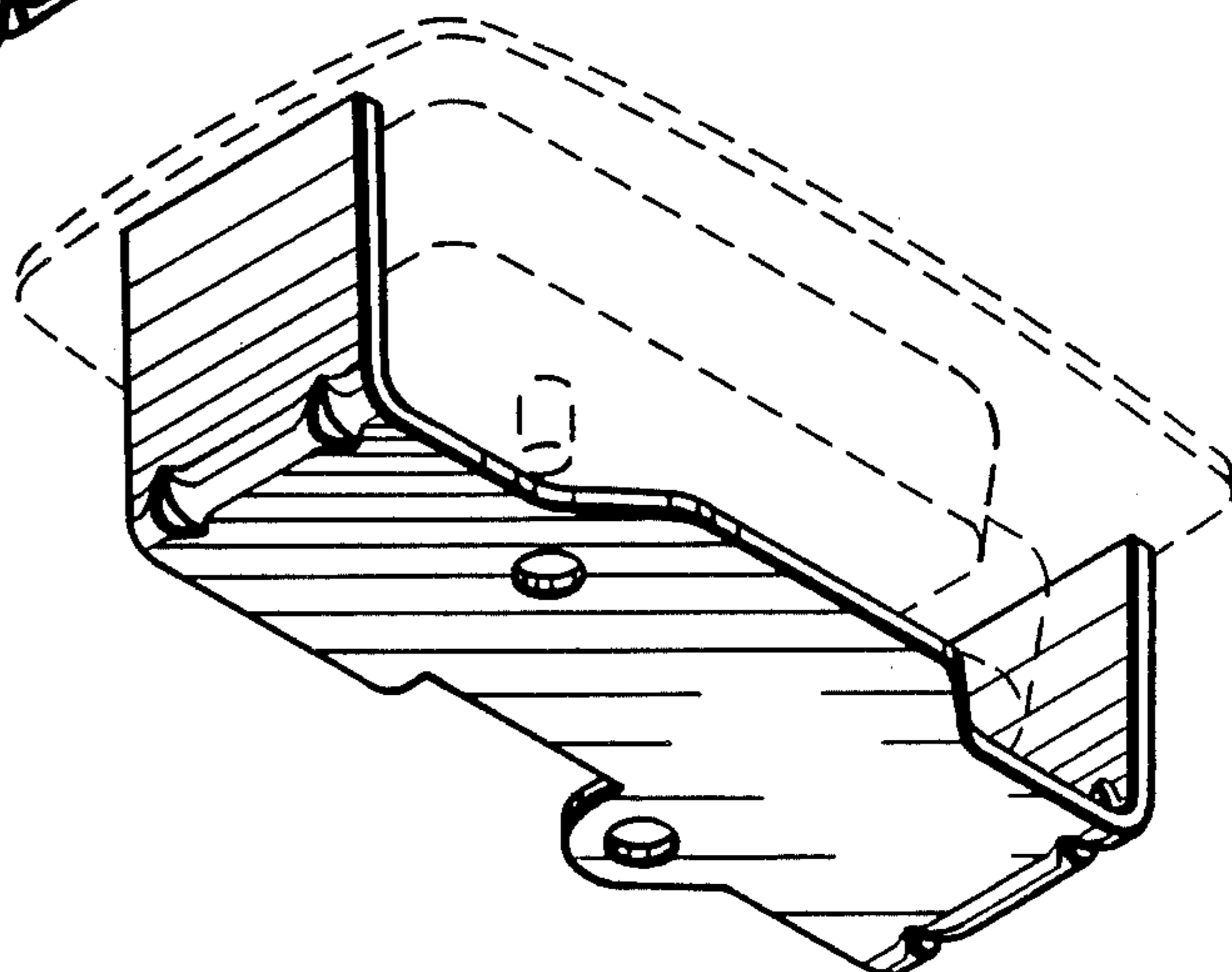
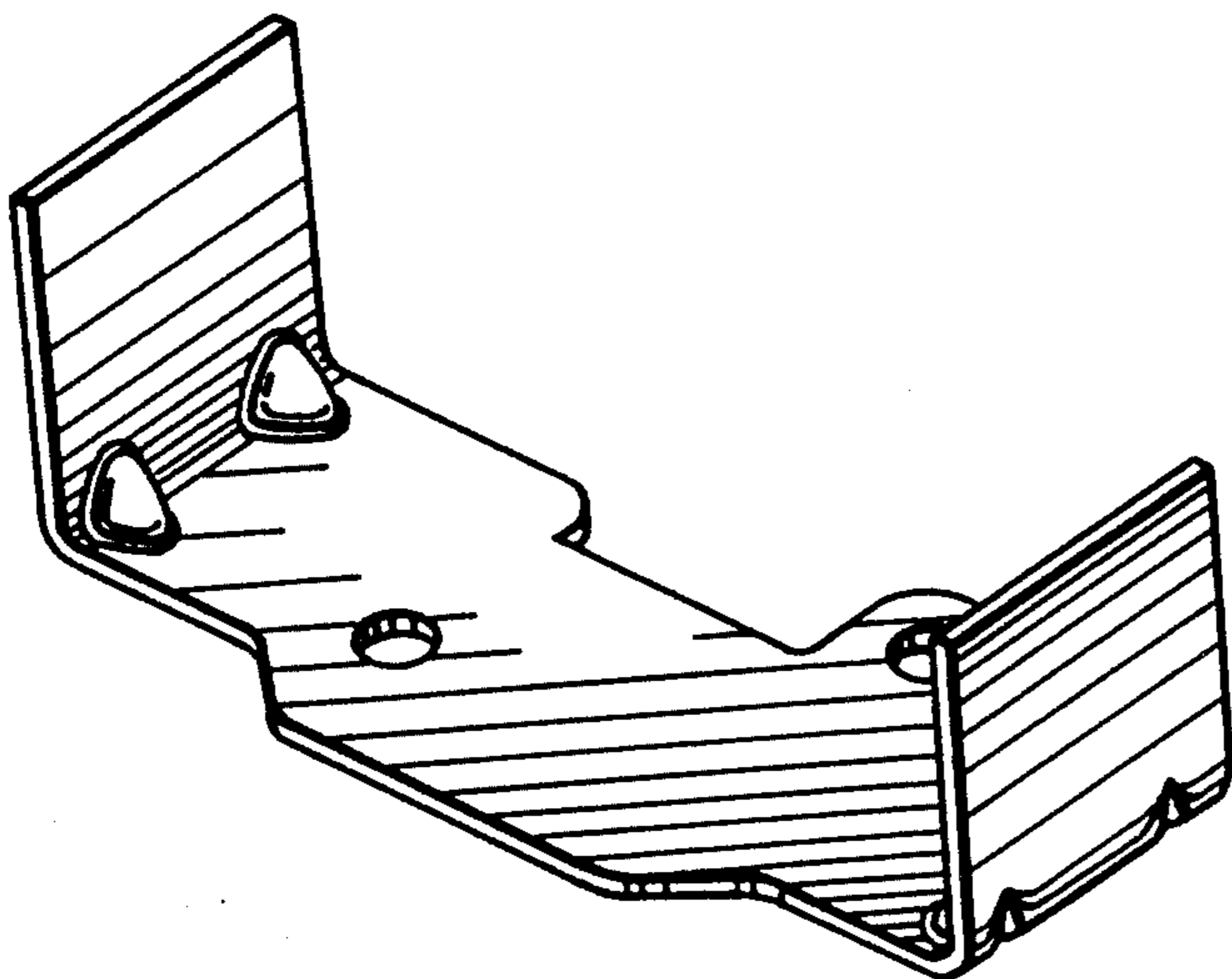
[52] U.S. Cl. D8/343

[58] Field of Search D8/343-344, D8/354, 366, 373; 70/416-417, 431, 450-451, 466; 292/253; 248/200, 231.9, 300, 309.1

[56] References Cited

U.S. PATENT DOCUMENTS

D. 230,009	1/1974	Royster	D8/7
D. 256,663	9/1980	Gilb	D8/8
D. 257,663	12/1980	McKee	D8/8
D. 285,647	9/1986	Sachs	D8/356
2,357,552	9/1944	Schlage	70/450 X
4,548,062	10/1985	Kaufman	70/417



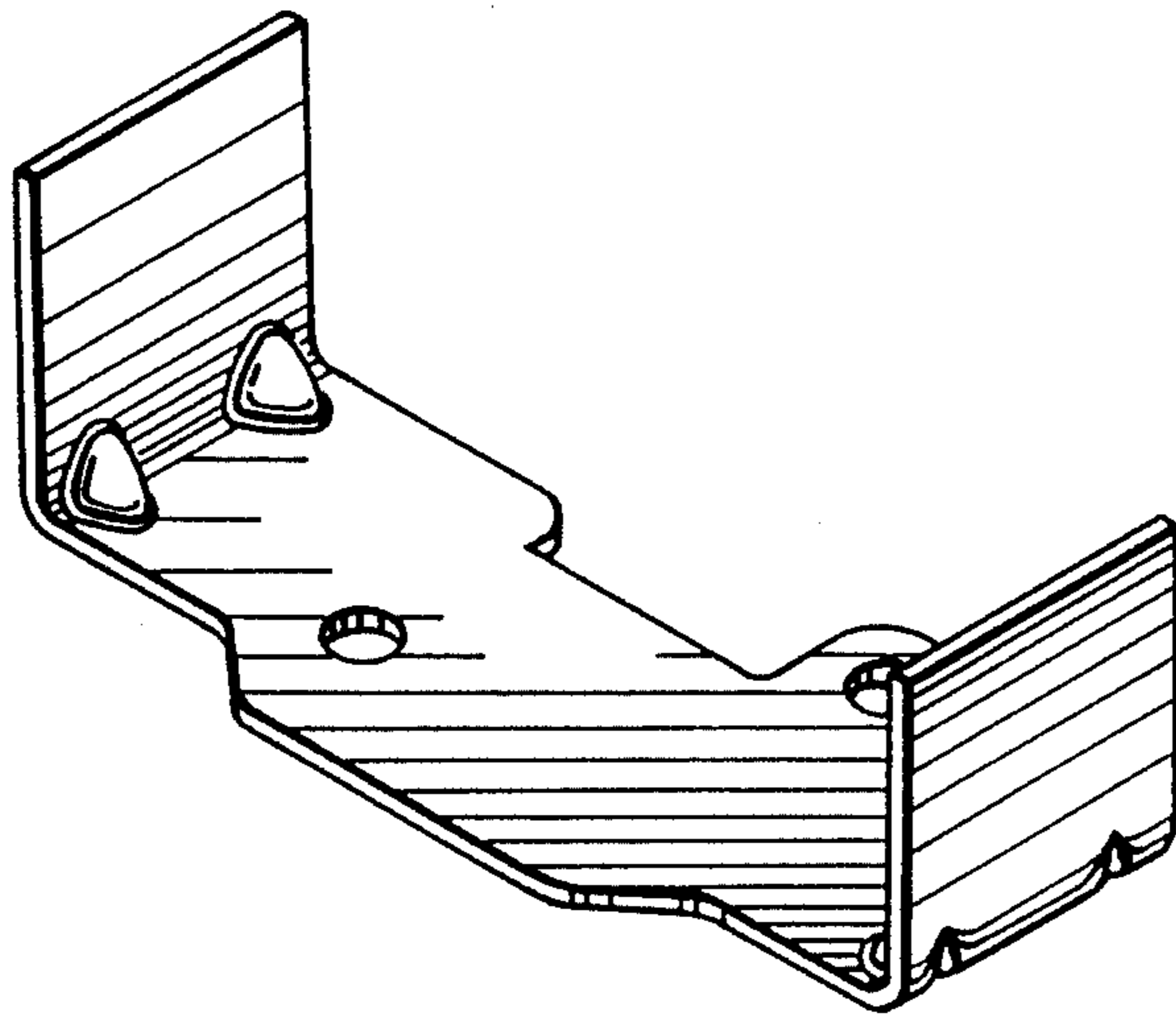


FIG. 1

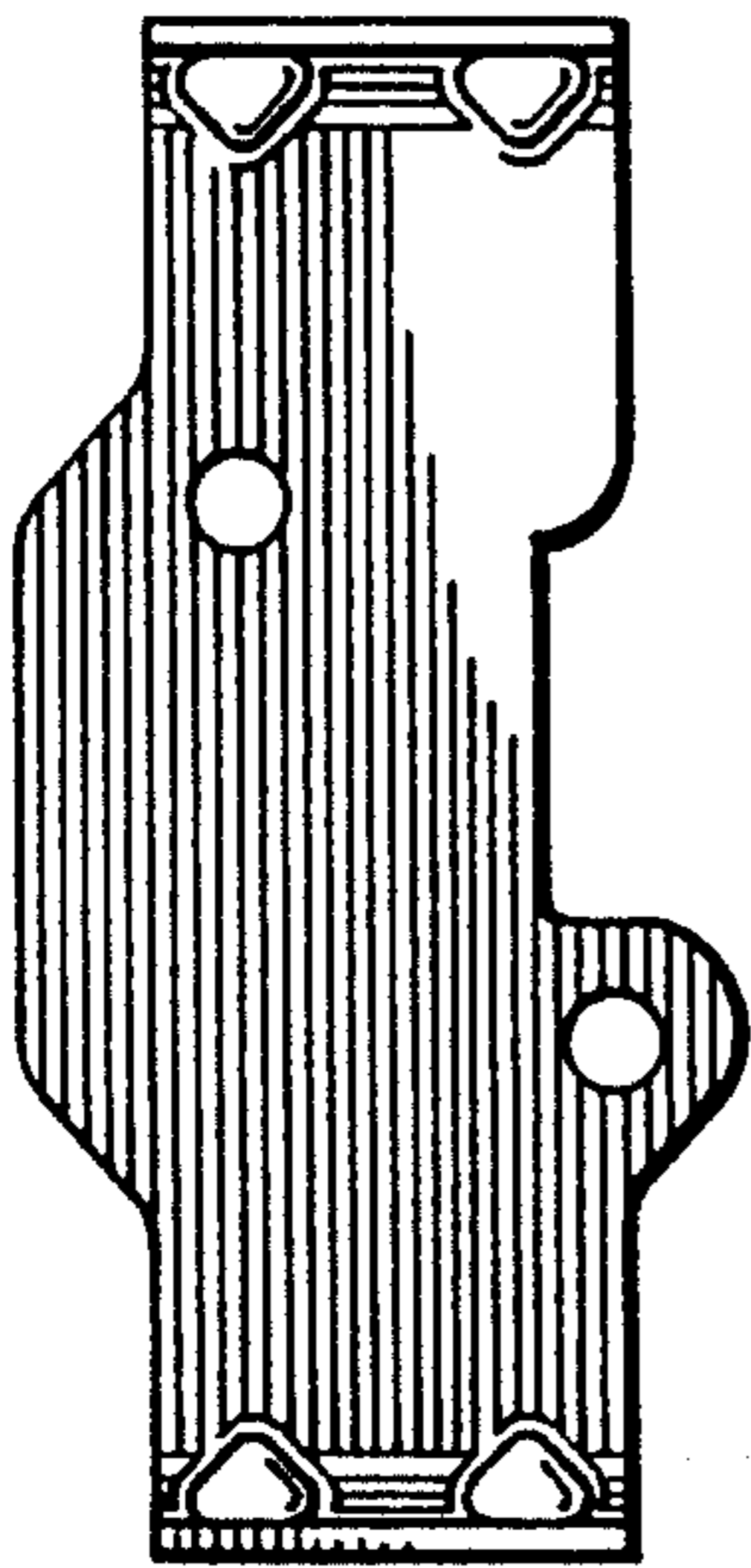


FIG. 2

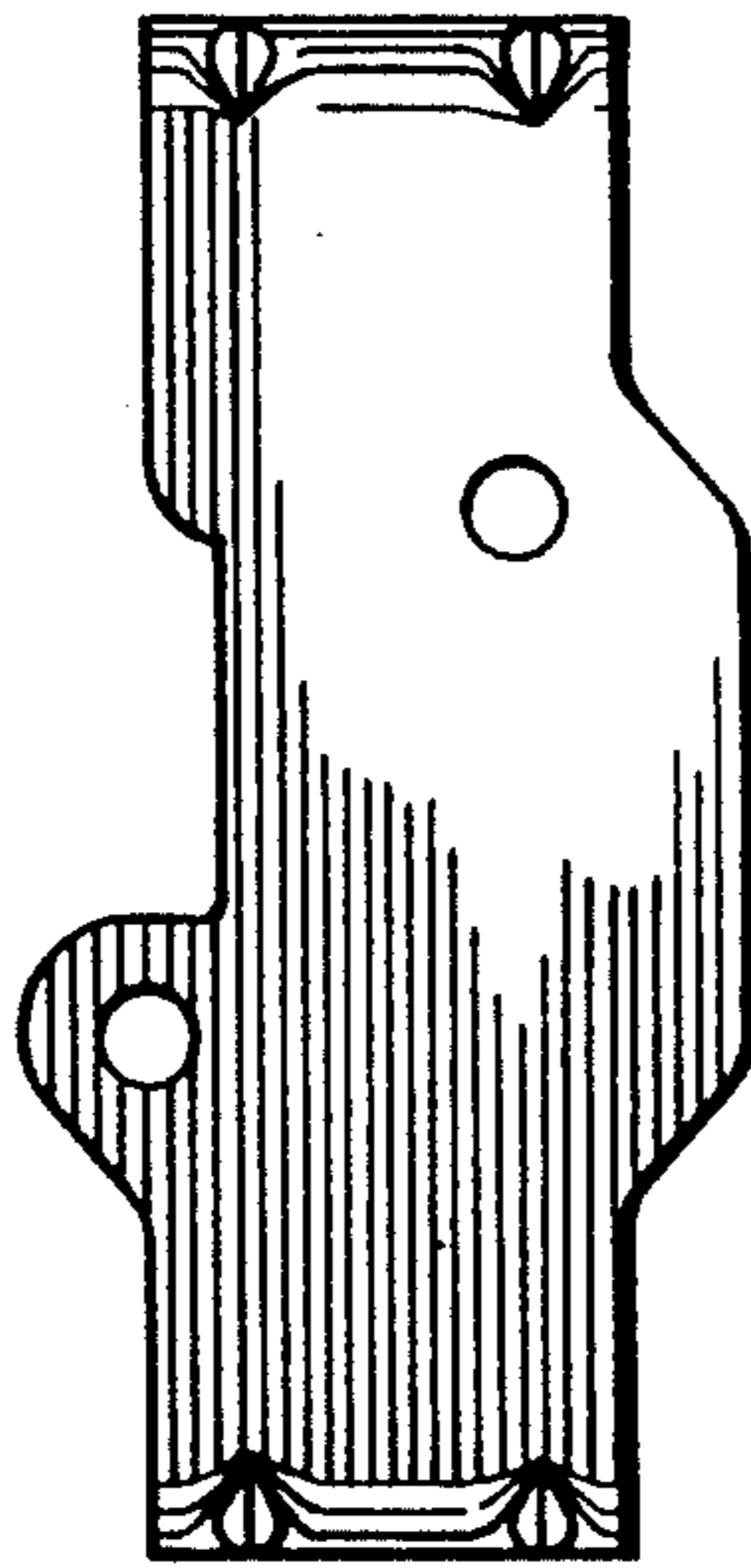


FIG. 3

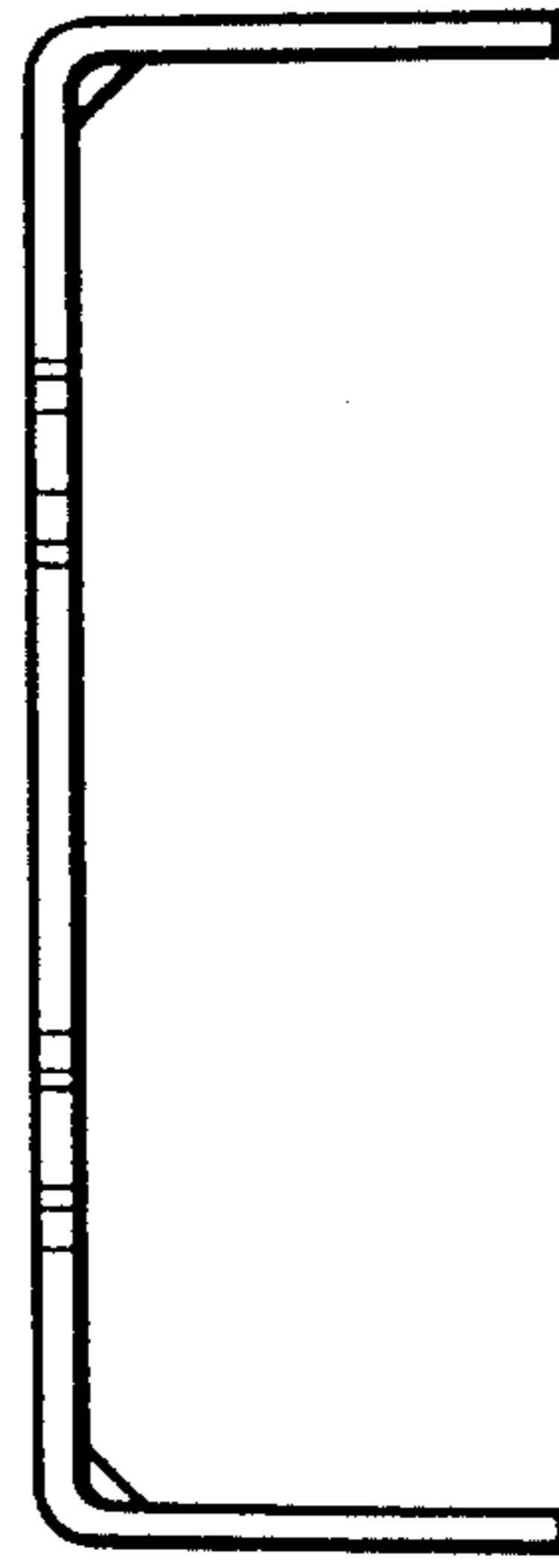


FIG. 4

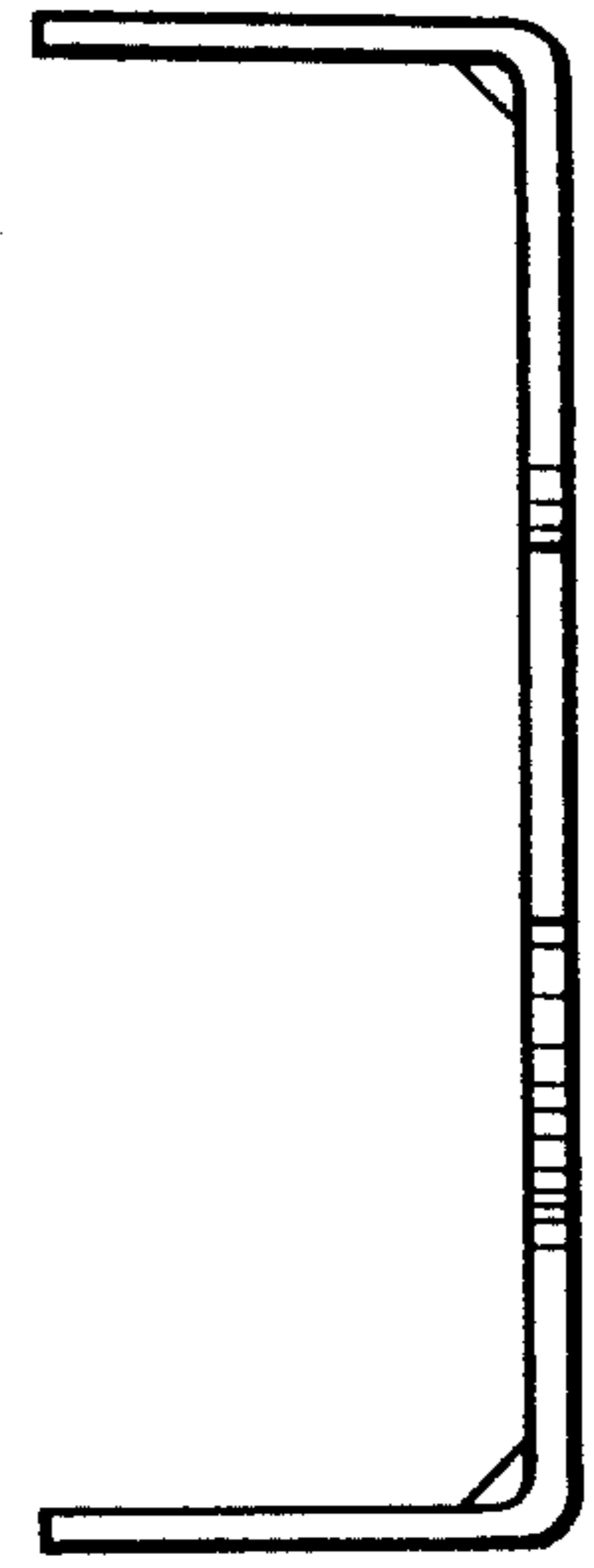


FIG. 5

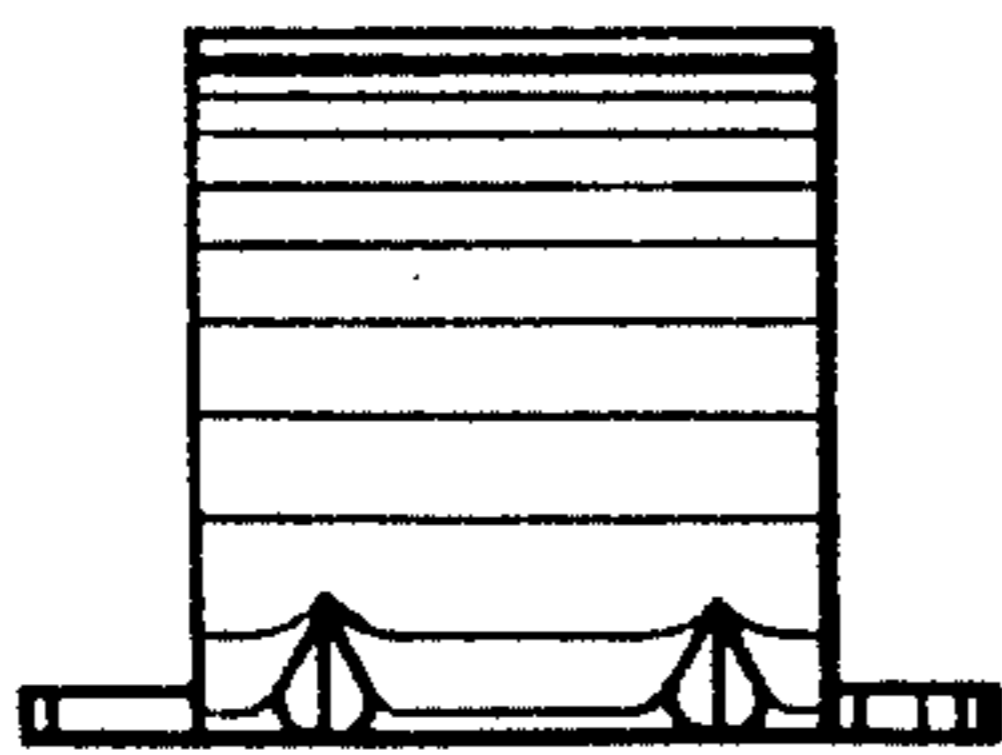


FIG. 6

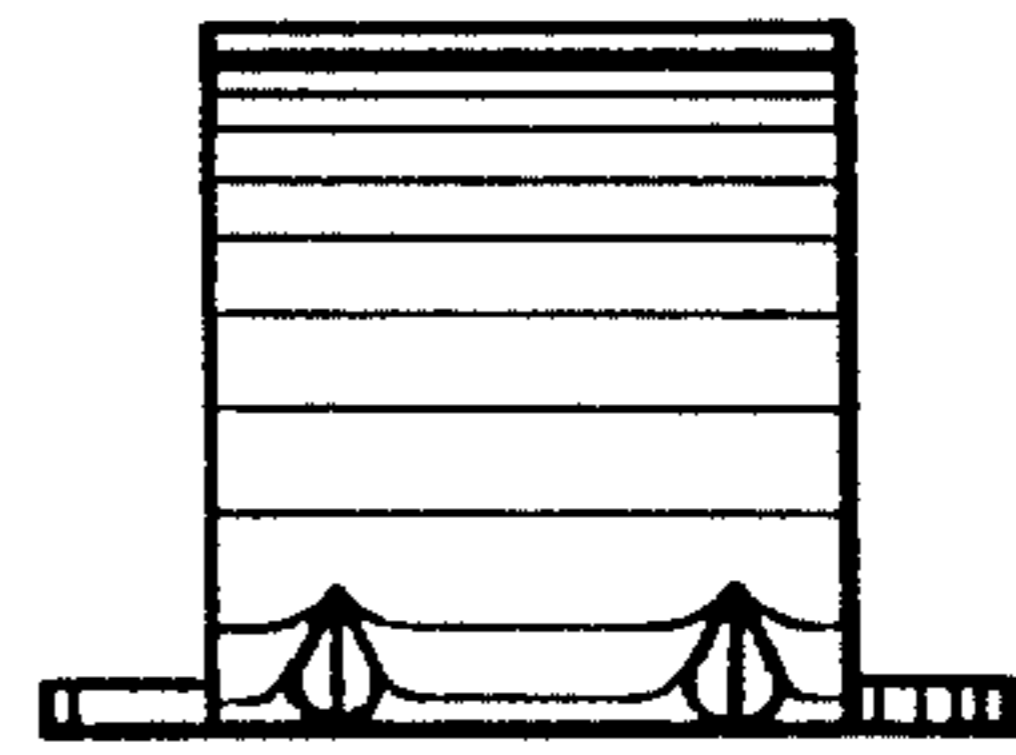


FIG. 7

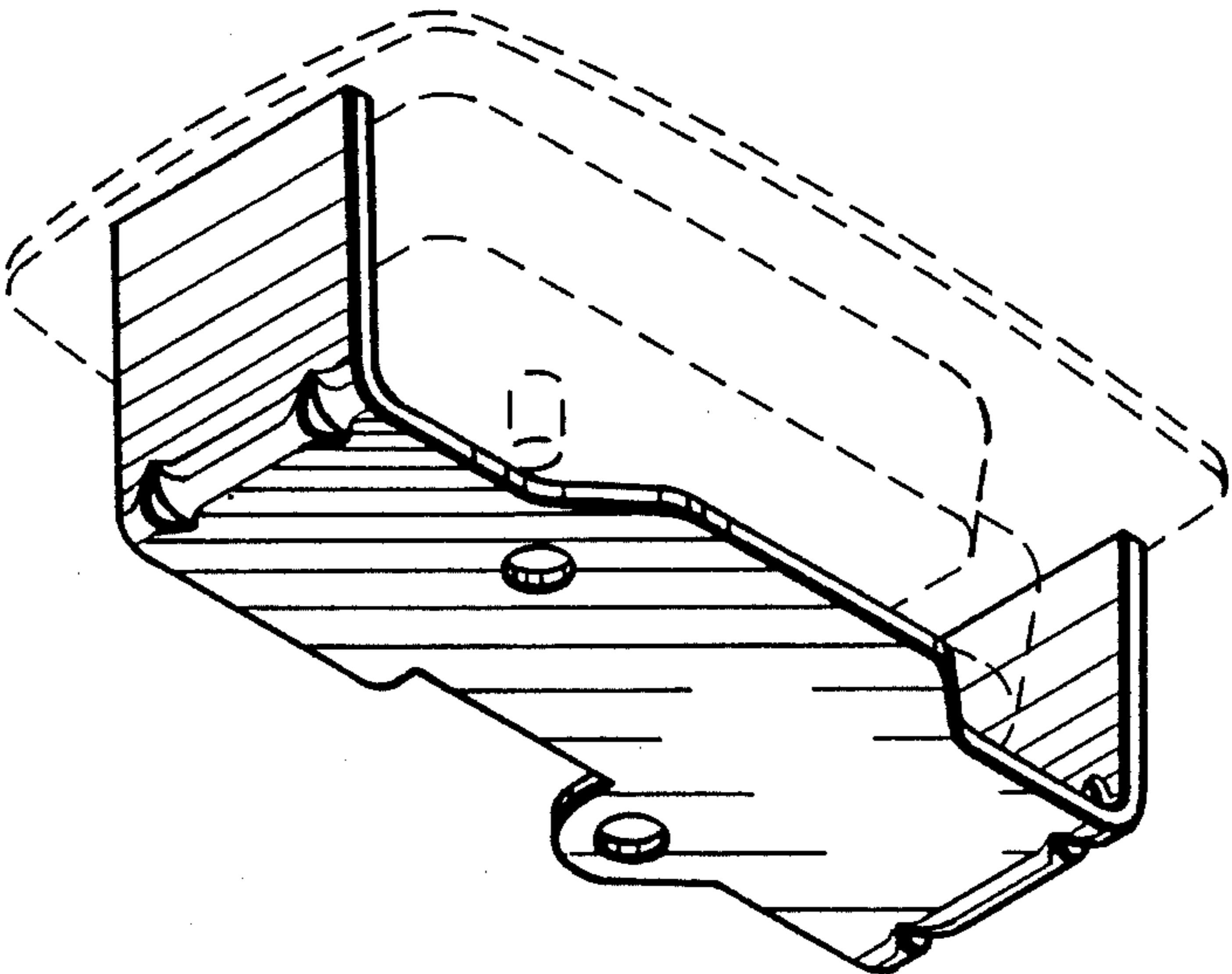


FIG. 8