

[54] **HOSE CLAMP**

[76] **Inventor:** Sheldon Bissell, 6551 Mountain Ranch Rd., Mountain Ranch, Calif. 95246

[**] **Term:** 14 Years

[21] **Appl. No.:** 168,747

[22] **Filed:** Mar. 16, 1988

[52] **U.S. Cl.** D8/72; D8/52

[58] **Field of Search** D8/14, 22, 23, 52, 54, D8/72; 81/415-418; 24/16 R, 19

[56] **References Cited**

U.S. PATENT DOCUMENTS

823,556	6/1906	Smith	24/19
1,255,210	2/1918	Newton	24/19
2,578,230	12/1951	Davis	16/116 R

OTHER PUBLICATIONS

Halprin Supply Co., Sierra Hose Clamp 1979.
W. S. Darley & Co., Hebert Hose Clamp Summer 1987.

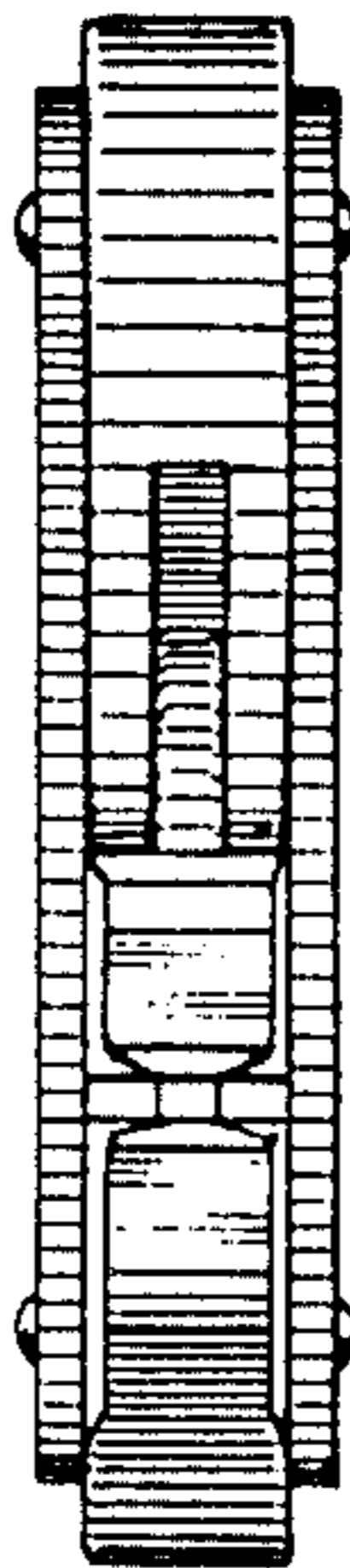
Primary Examiner—Bruce W. Dunkins
Assistant Examiner—Clare E. Heflin
Attorney, Agent, or Firm—Bernhard Kreten

[57] **CLAIM**

The ornamental design for a hose clamp, as shown and described.

DESCRIPTION

FIG. 1 is a front elevational view of the hose clamp showing my new design;
FIG. 2 is a side elevational view thereof, the opposite side being a mirror image;
FIG. 3 is a rear elevational view thereof;
FIG. 4 is a top plan view thereof;
FIG. 5 is a bottom plan view thereof;
FIG. 6 is a side elevational view thereof showing the clamp in the open position.



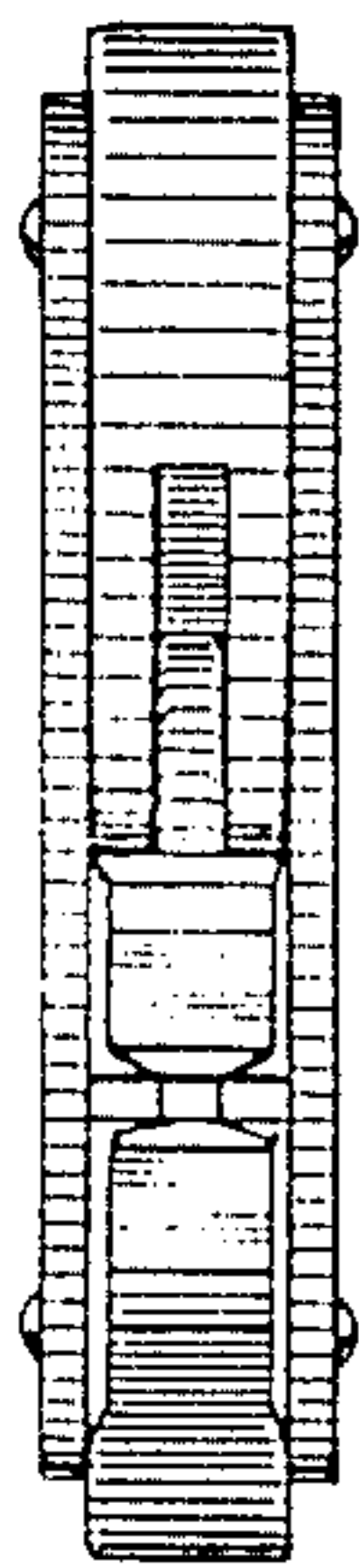


FIG. 1

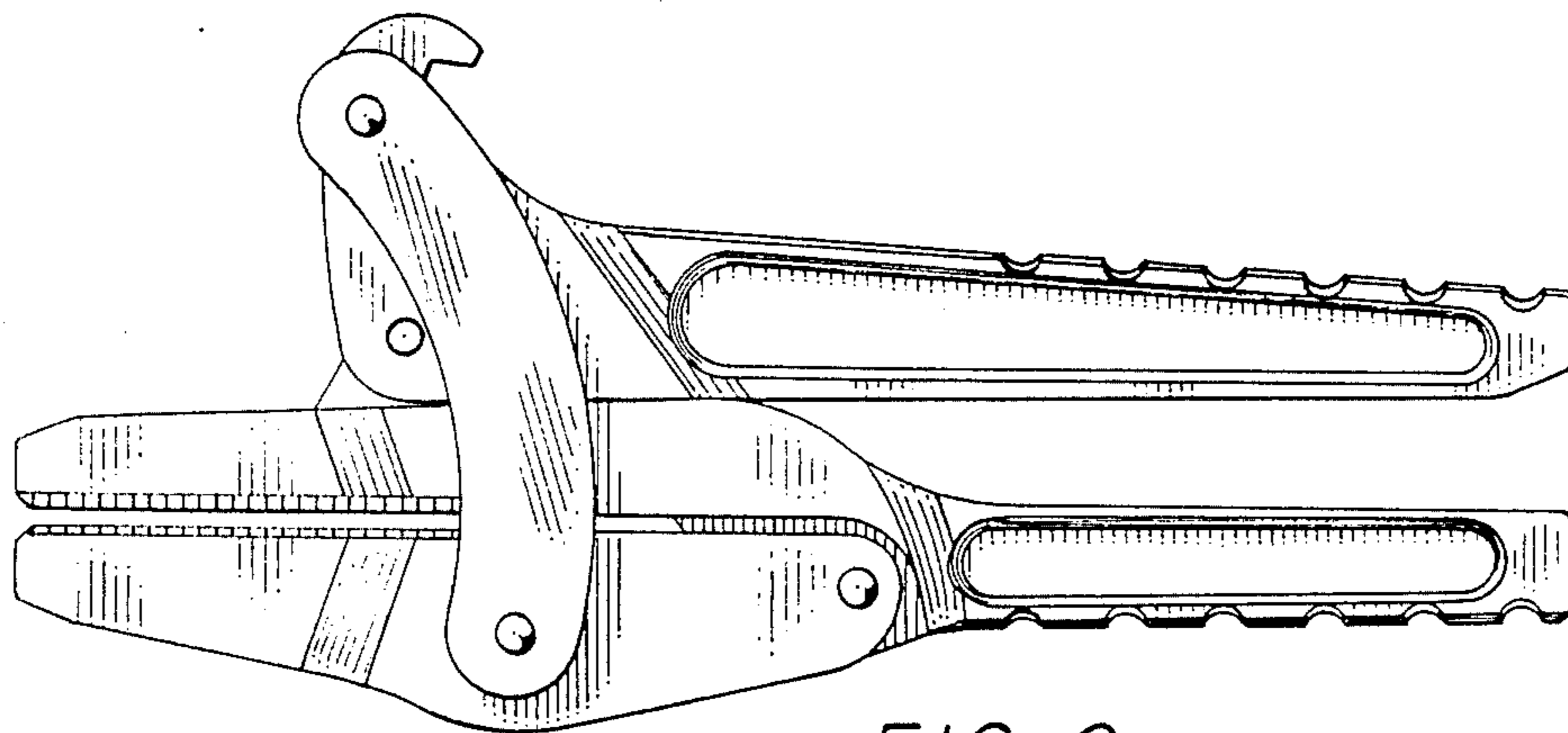


FIG. 2

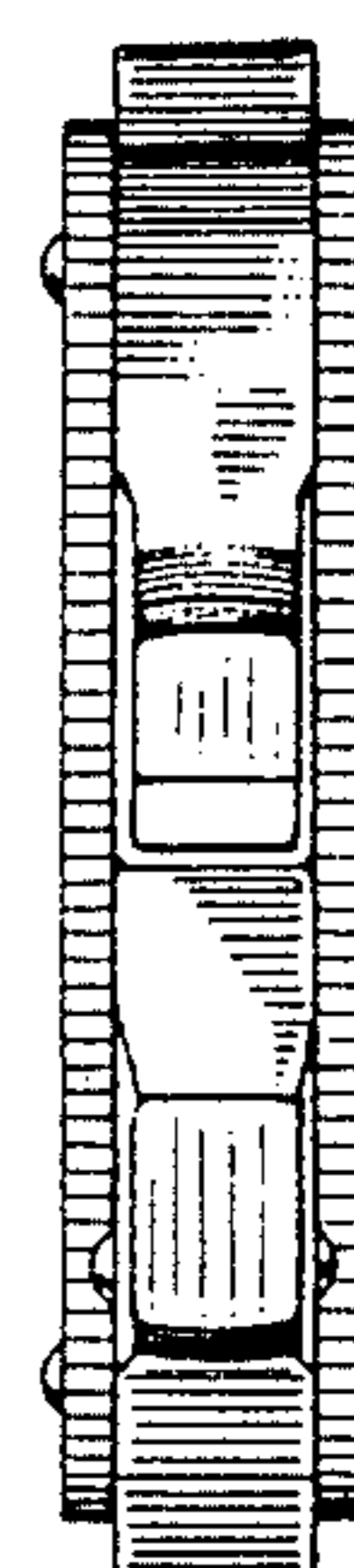


FIG. 3



FIG. 4

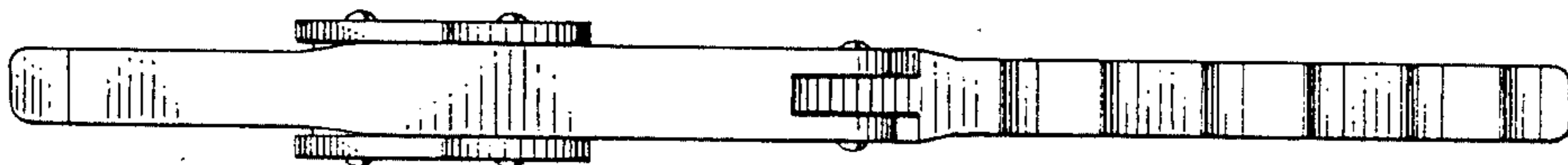


FIG. 5

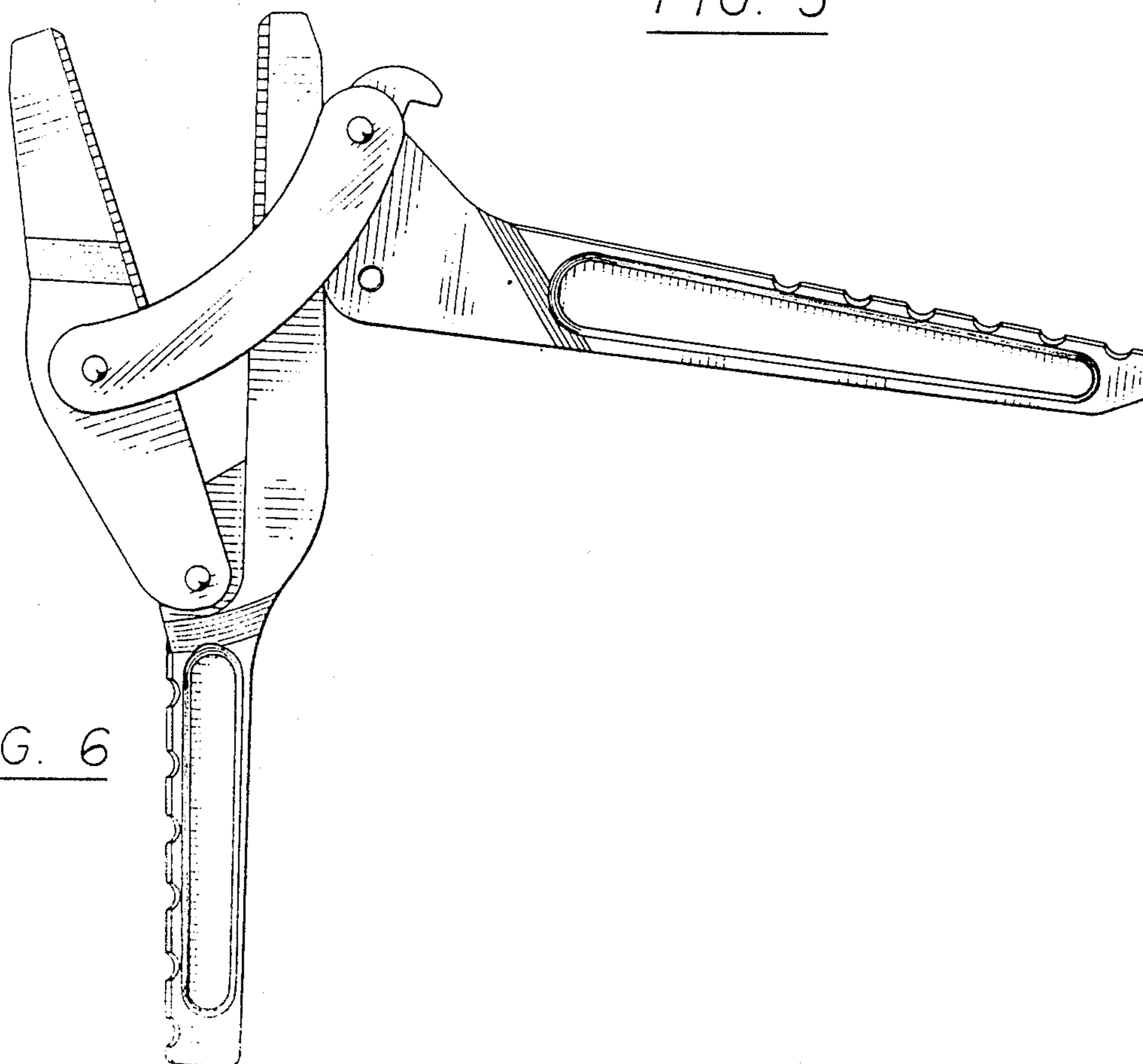


FIG. 6