

# United States Patent [19]

Slany et al.

[11] Patent Number: Des. 308,000

[45] Date of Patent: \*\* May 22, 1990

[54] DEEP FRYER

[75] Inventors: Hans E. Slany; Reinhard Renner, both of Esslingen, Fed. Rep. of Germany

[73] Assignee: I.T.T. Industries Belgium S.A., Brussels, Belgium

[\*\*] Term: 14 Years

[21] Appl. No.: 891,973

[22] Filed: Jul. 29, 1986

[30] Foreign Application Priority Data

Jan. 30, 1986 [WO] World Int. Prop. O. .... DM/006411

[52] U.S. Cl. .... D7/360; D7/354

[58] Field of Search ..... D7/354, 360, 357, 356, D7/391

[56] References Cited

### U.S. PATENT DOCUMENTS

D. 115,168 6/1939 Hadley ..... D7/360

D. 138,271	7/1944	Springwell	.....	D7/360
D. 152,042	12/1948	Sundberg et al.	.....	D7/360
D. 158,439	5/1950	Budlane et al.	.....	D7/360
D. 283,970	5/1986	Thevenin	.....	D7/360

### FOREIGN PATENT DOCUMENTS

0717000	8/1985	Benelux	.
004066	8/1983	Int'l Pat. Institute	.
988998	6/1979	United Kingdom	.

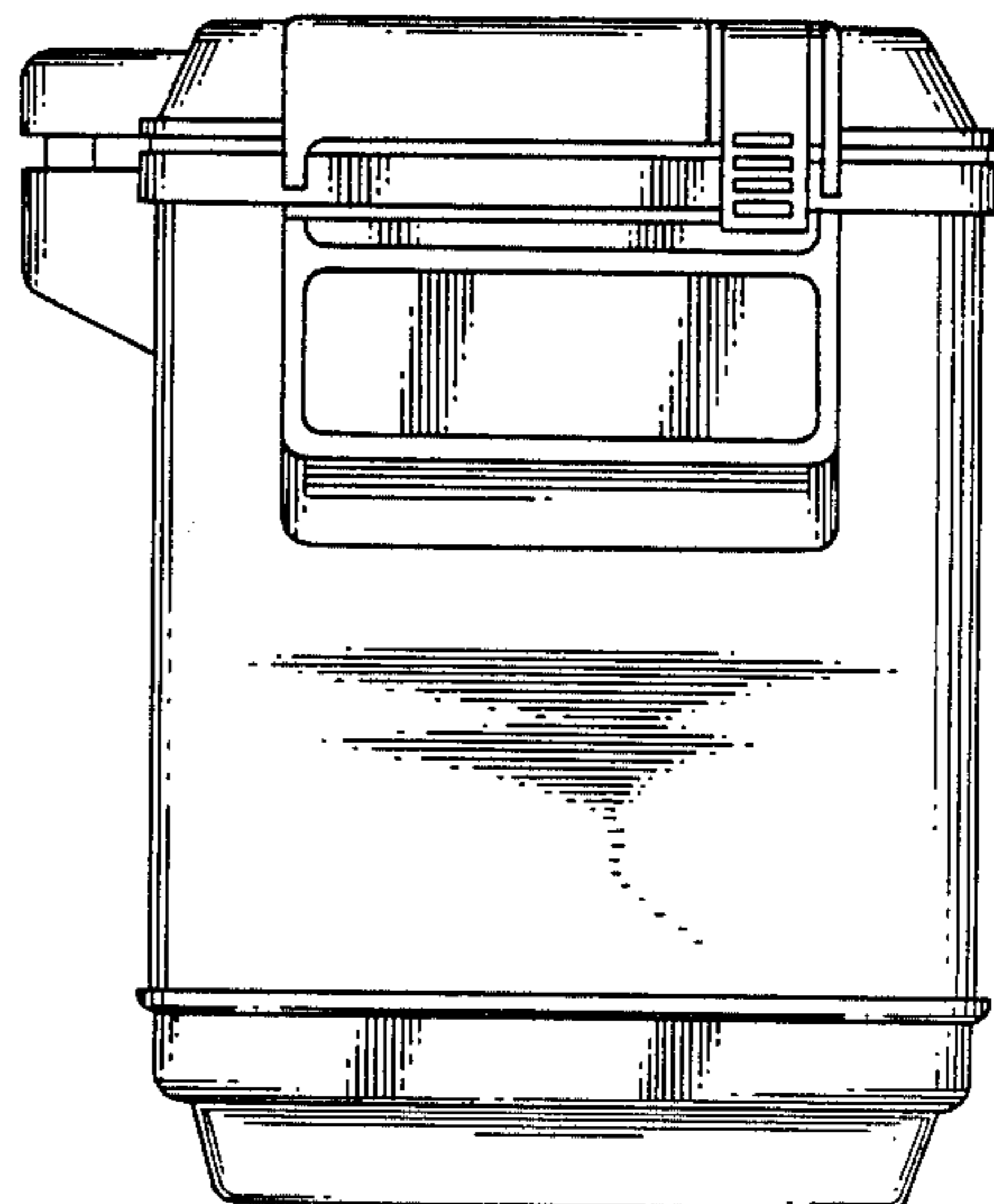
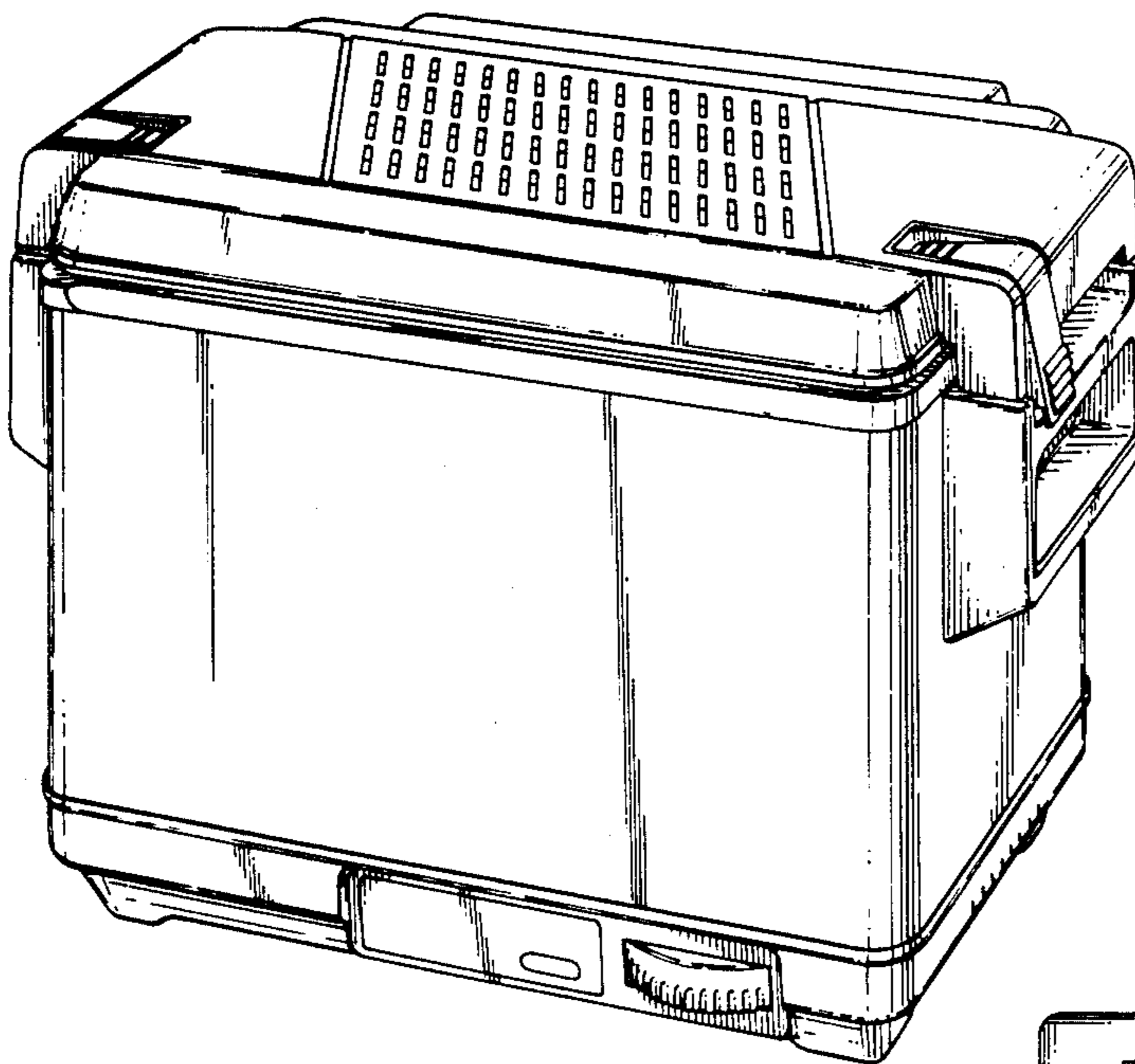
Primary Examiner—Winifred E. Herrmann  
Attorney, Agent, or Firm—Thomas L. Peterson

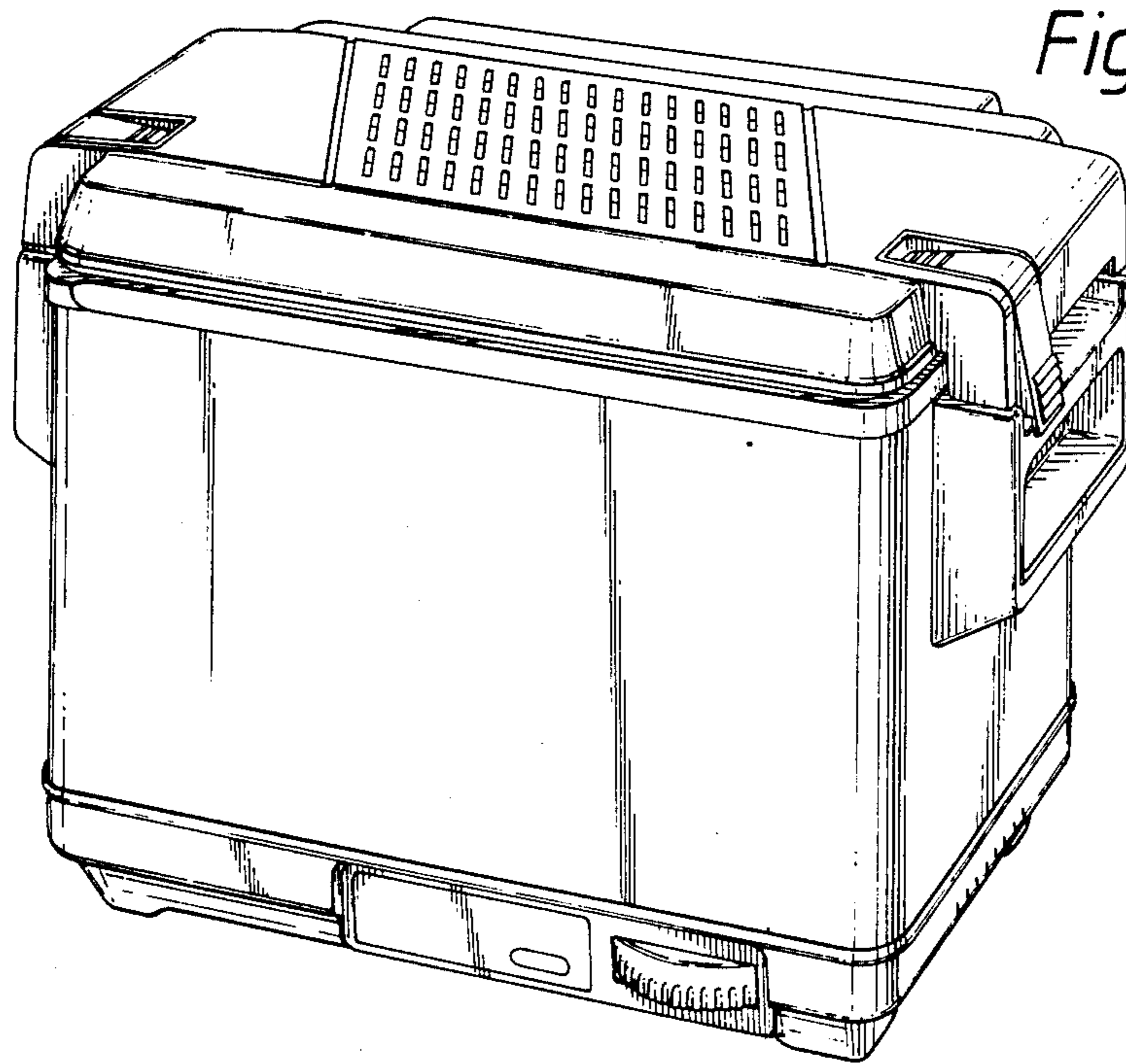
[57] CLAIM

The ornamental design for a deep fryer, as shown.

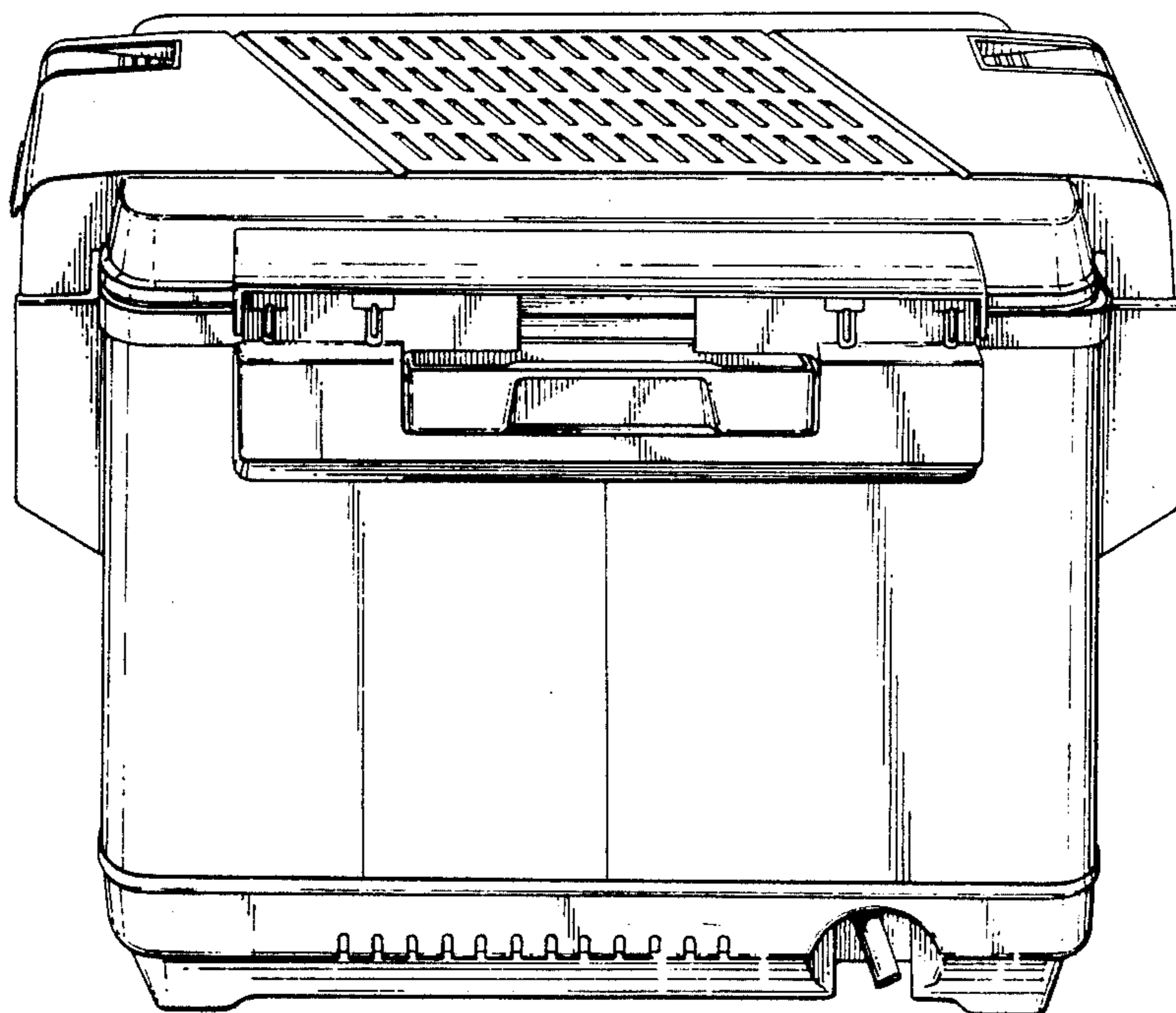
### DESCRIPTION

FIG. 1 is a top, front, and right side perspective view of a deep fryer showing our new design; FIG. 2 is a top rear perspective view thereof; FIG. 3 is a top front perspective view thereof in an open condition; FIG. 4 is a left side elevational view thereof; and FIG. 5 is a bottom plan view thereof.



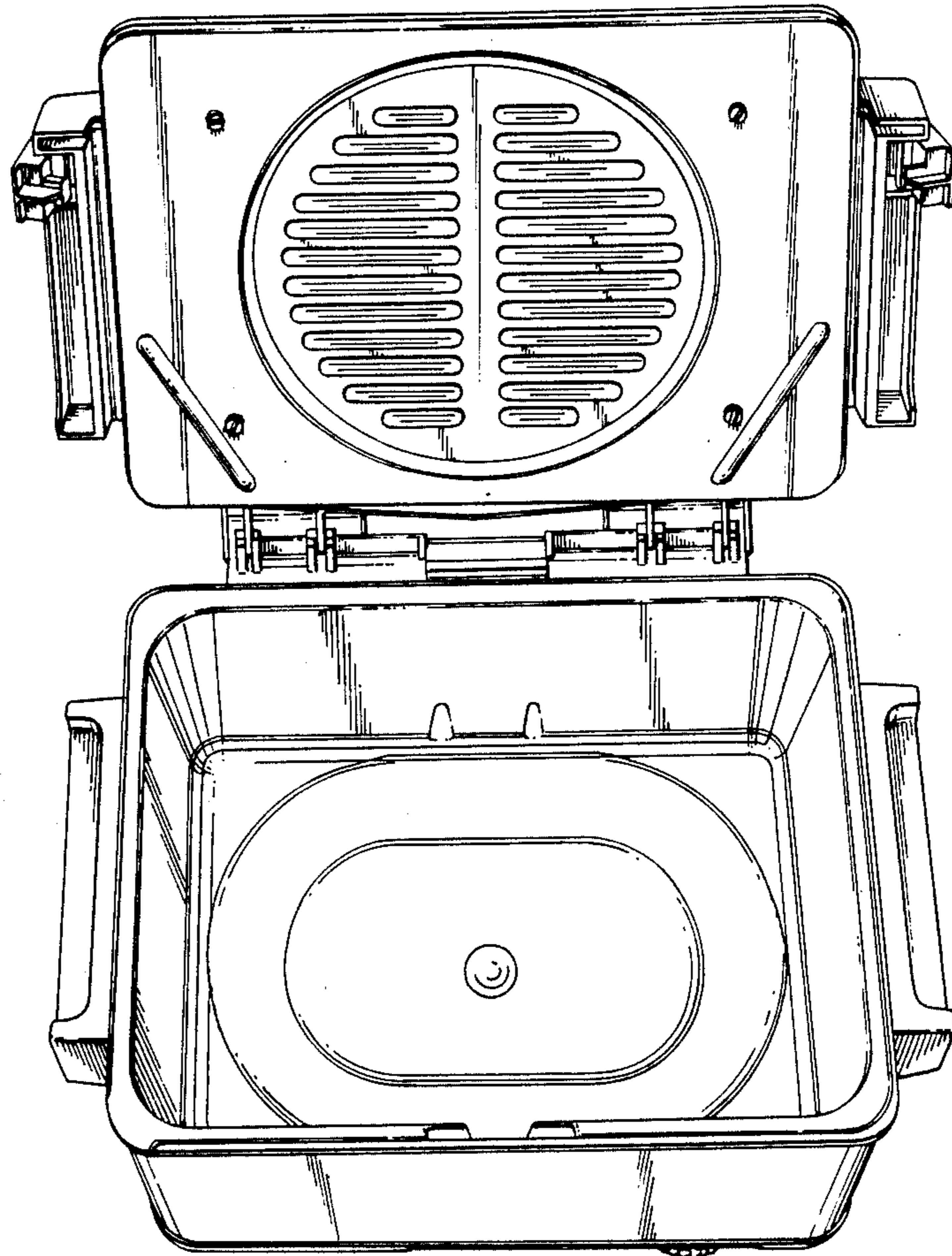


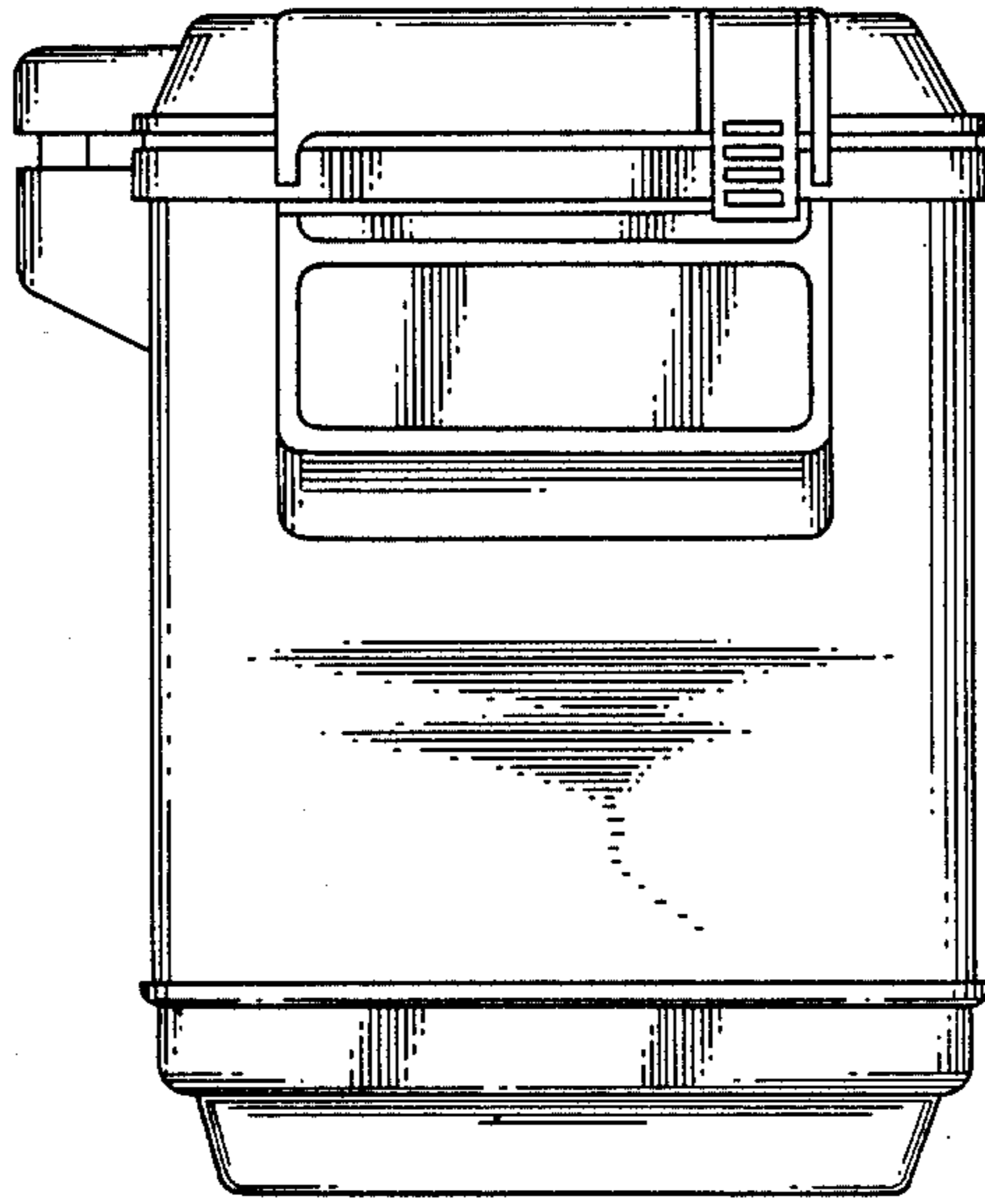
*Fig. 1.*



*Fig. 2.*

*Fig. 3.*





*Fig. 4*

*Fig. 5*

